

CATALOG NO.
CA0085
MAY 2007



Replacement Parts for Komatsu® Engines

Parts Catalog

Komatsu® is a registered trademark of Komatsu Limited.
FP Diesel is not affiliated with the Komatsu Limited.



COMPONENTS AND KITS
PROVEN TO THRIVE
IN TODAY'S
HARDEST WORKING ENGINES

AGRICULTURE

CONSTRUCTION



ON HIGHWAY

MARINE



ENGINE SYSTEMS®



Using the Catalog	
Table of Contents.....	i
How To Use This Catalog	ii
Abbreviations	xv
Conversion Tables	xvii
General Information	ii
In-Frame Engine Kits (Bills of Material)	245-268
Interchange - Komatsu to Cummins Engines	234-244
Numerical List	228-233
Komatsu Engine Families	
Engine Code Index.....	1-3
Model Index.....	3-8
4D95 Engine Family	9-23
6D95 Engine Family	65-87
4D103 Engine Family	23-48
6D102 Engine Family	87-128
4D105 Engine Family	48-65
6D105 Engine Family	128-153
6D114 Engine Family	153-176
6D125 Engine Family	176-224
6D155 Engine Family	225-227
NH220 / 743 Engine Family.....	234-235
NT855 Engine Family	236-238
K19 Engine Family	239-241
K38 Engine Family	242-244
K1150 Engine Family	239-241
Product Line Information	
Engine Bearings.....	vi
Engine Kits	v
Engine Prelube / Plastigage	xii
Komatsu Engine Quick Reference Line Card.....	270
Pistons - Heavy Duty	x
Replacement Parts Engine Coverage	iv
Sleeve Assemblies	xi
Specialty Tools	xiii
Warranty.....	xviii





HOW TO USE THIS CATALOG

The header for each block listed is designed to help you identify the correct engine application. Special information regarding a specific part is located to the far right of the part number listing. Also included for help in finding the correct parts are engine illustrations that contain reference numbers corresponding to the reference numbers located next to the part number listings.

Engine components are grouped in the following order:

- 1st. Cylinder Head and Parts
- 2nd. Intake and Exhaust Manifolds
- 3rd. Camshaft Group
- 4th. Fuel System and Parts
- 5th. Cooling System
- 6th. Engine Block and Parts
- 7th. Crankshaft/Oil Pump and Related Parts
- 8th. Cylinder Components (incl. Rod Bearings, Cylinder Sleeves, Pistons, Piston Rings)

The catalog is sorted as follows:

- 1st. By ENGINE DISPLACEMENT
- 2nd. By BORE DIAMETER. Engines with the same displacement are sorted by bore diameter.
- 3rd. By INDUCTION SYSTEM. Naturally aspirated-engines will be listed before Turbocharged engines.

Many of the headers will include serial number listings to provide added assurance that the correct listing is being used.

GENERAL INFORMATION

This catalog is designed to identify the major components, assemblies and kits used in Komatsu engines.

The catalog includes all of the parts and kits available from FP Diesel for Komatsu construction, industrial and off-highway engines. For reference purposes, the illustrations and tables in this catalog may also include parts and assemblies not currently available from FP Diesel, so that you can identify other parts as needed.

The catalog is organized by engine model. Each section is subdivided into groups that coincide with the various engine assemblies and components.

FP Diesel uses a part numbering system similar to Komatsu's OEM number. In most instances, the FP Diesel part number is the same. For example:

Komatsu Part Number 6150-21-8050
FP Diesel Part Number FP-6150-21-8050

All manufacturers numbers, names, symbols and descriptions are used for reference purposes only. It is not-implied that any part listed is the product of-any specific manufacturer.

All information contained in this catalog is based on-the latest data available at the time of printing. Although care has been taken to ensure the accuracy of the data compiled in this catalog, Federal-Mogul does not assume liability for errors or omissions.

IMPORTANT NOTICE

This catalog does not replace the Komatsu parts catalogs or service materials. If in doubt, reference your Komatsu publications.



MANUFACTURING



Precise manufacturing and fabricating techniques, rigorous quality control procedures, utilization of the latest CAD technology and innovative solutions to industry challenges – coupled with Federal-Mogul’s global manufacturing capabilities – have established FP Diesel as the industry leader in the heavy duty market.

FP Diesel applies stringent quality control procedures with expertly skilled technicians supervising the manufacturing process in all phases to ensure that our parts will perform and last.

FP Diesel is a military approved supplier for the 53 Series Detroit Diesel engine. But the parts we supply for the 53 aren’t the only ones that go through government testing. Every FP Diesel part must pass this high-level quality control. Plus, every part is tracked throughout the entire distribution process. And when it’s approved, the quality control number is printed on the box label, just in case there’s ever a problem.

CUSTOMER SERVICE

The sales representatives at FP Diesel are among the most experienced and knowledgeable in the industry, with hands-on heavy duty experience and in-depth knowledge of engine parts and applications. With one call to your



representative you’ll have answers to any product, technical, order processing, billing, warranty, pricing, order tracking or availability questions you may have. Customer service that goes the extra mile also means you not only get the parts you need, but expert assistance from a person who knows the heavy duty market.

Plus, our computerized inventory system allows us to ship your order promptly anywhere in the world, while our easy-to-use cataloging system makes ordering FP Diesel parts fast and simple. For the parts and information you need, count on FP Diesel to go the extra mile.





COVERAGE

The FP Diesel product offering is a comprehensive line of diesel and natural gas engine replacement parts that provides all the coverage necessary to meet your heavy duty engine rebuilding needs. FP Diesel also offers a full line of gaskets and elastomeric products. For more specific information, please refer to our full-line catalogs, which are engine and machine specific and follow OEM format. To ensure exact part number replacement, these catalogs reference OEM part numbers and features technical information relating to the specific engine being serviced.



PRODUCTS

Caterpillar

Our Caterpillar products cover 3200, 3300, 3400, 3500, D Series and G Series engines. This coverage extends from cylinder heads, fuel injection, cam and crankshafts, cylinder kits, valvetrain and electrical to engine bearings, transmission, hydraulic gasket sets and more. Refer to FP Diesel catalog No. CA0010 (parts) and CA0020 (gaskets).

Cummins

For Cummins engines, FP Diesel provides coverage for V378, V504, V555, Small Vee Engines, V/VT 903, 855 Series, N14, L10, B Series, C Series, V/VT1710, N743 and K/KTA 18-, 38- and 50-liter engines, as well as components for Jacobs® brakes. Refer to FP Diesel catalog No. CA0030.

Detroit Diesel

FP Diesel offers the most complete coverage in the replacement parts industry for Detroit Diesel, with an extensive line of components and kits for the 8.2-liter, 53 Series, 60 Series, 71 Series, 92 Series and 149 Series engines. Refer to FP Diesel catalog No. CA0040 for 2-cycle engines or FP Diesel catalog No. CA0045 for 4-cycle engines.

John Deere

FP Diesel offers a broad range of in-frame and complete overhaul kits and related components for 300 Series, 400 Series, 500 Series and Powertech engines. Refer to FP Diesel catalog No. CA0080.

Komatsu

We offer extensive coverage for Komatsu S6D 155 and SA6D155 engines, as well as a full line of replacement parts for Komatsu machines using Cummins N743, KT/KTA 19-, 38- and 50-liter engines, and the Cummins 855. Refer to FP Diesel catalog No. CA0085.

Mack

FP Diesel has a broad line for Mack, early ENDT 675 and 676 engines, as well as parts for later EM6 with both two- and four-valve head configurations. Refer to FP Diesel catalog No. CA0060

International

International coverage extends from the 6.9 and 7.3 liter, DT-360 and DT-466 through the 9.0 liter engine. Refer to FP Diesel catalog No. CA0050. For agricultural applications, FP Diesel also services the DT-414 and DT-436 Case/I.H. engines. For industrial and agricultural applications, refer to FP Diesel catalog No. SP188.

Case

FP Diesel has a complete range of kits and components for the 188, 207, 301, 366, 451 and 504-Case engines along with the 4-390 & 4T-390, 6-590 & 6T-590, 6T-830 & 6TA-830, LTA 10 and NTA 855 B/C III Cummins engines. Refer to FP Diesel catalog No. CA0095.



Our Engine Kit program allows you to select a kit tailored to the job at hand. Whether performing a complete overhaul, or in-frame repair, our engine kits contain all the necessary components to complete the job. This comprehensive program provides you-with the following:

- Concise application information
- One price look-up
- A full complement of oversizes and undersizes
- Master kits that include full gasket sets

Engine kits where available, are listed at the beginning of each block after the specific engine overview page.

How To Specify FP Diesel Engine Kits



FP Diesel engine kits have multiple components that are available for each-specific engine. For-example, the 6D155 Overhaul Kit is designed for you to-specify which liner kit, rod bearings and-main bearings are necessary based on the serial number. This eliminates the need for adding extra engine kit part numbers when all that is required is-to specify your serial number to the FP Diesel customer service representative in order to have us configure the Engine Kit to-your particular engine. This insures that you will receive the right parts every time. In cases where there can only be one set of parts to configure the engine kit, we have pre-configured the kit to include all the parts necessary to-insure you are receiving the correct kit for your application.



ENGINE BEARINGS

Engine Bearing Material Selection

When selecting engine bearings, most engine builders concentrate on getting the proper clearances and maintaining adequate oil pressure. Durability is expected from any bearing chosen, and the advantages of different bearing materials may not be considered. If engine operating conditions are considered and bearing materials chosen accordingly, the likelihood of engine longevity is greater. No single material can be correct for every application. Our engine bearings are equal to or better than the original equipment specifications for material and design. We also provide alternatives to address unique problems and special needs.

In heavy duty applications there are a number of materials that will do an excellent job. Each alloy has advantages in terms of resistance to corrosion, rate of wear and fatigue strength. The latter characteristic is critical in engines that operate under high loads, generate considerable heat and may be subjected to occasional detonation.

Bi-Metal Aluminum Alloys – Plated and Unplated

Diesel fuels, moisture, and engine “blow-by” introduce many contaminants into the crankcase. Aluminum engine bearing materials provide outstanding resistance to the corrosive effects of these substances, and are the product of choice for most current original equipment vehicle manufacturers. The modern bi-metal aluminum engine bearing contains silicon. As a result of using silicon, the alloy resists seizure and dramatically reduces or eliminates bearing wear. This contributes to today’s extended engine life. Aluminum is often the best material for a daily driven vehicle. Adding an overplate to an aluminum engine bearing will further enhance embedability and conformability. Continued efforts to remove lead from our environment guarantee that aluminum will become the preferred engine bearing material for most applications.



Copper-Lead (Tri-Metal) Alloys



Tri-Metal engine bearings, such as our H-14 and H-24 alloys, have excellent fatigue resistance, but are less resistant to corrosion damage than aluminum bearings. These bearing materials are accepted by engine builders worldwide, and are proven to be reliable in a wide range of uses. While OE manufacturers are moving to aluminum for their needs, many rebuilders still specify the tri-metal bearings for older engines.

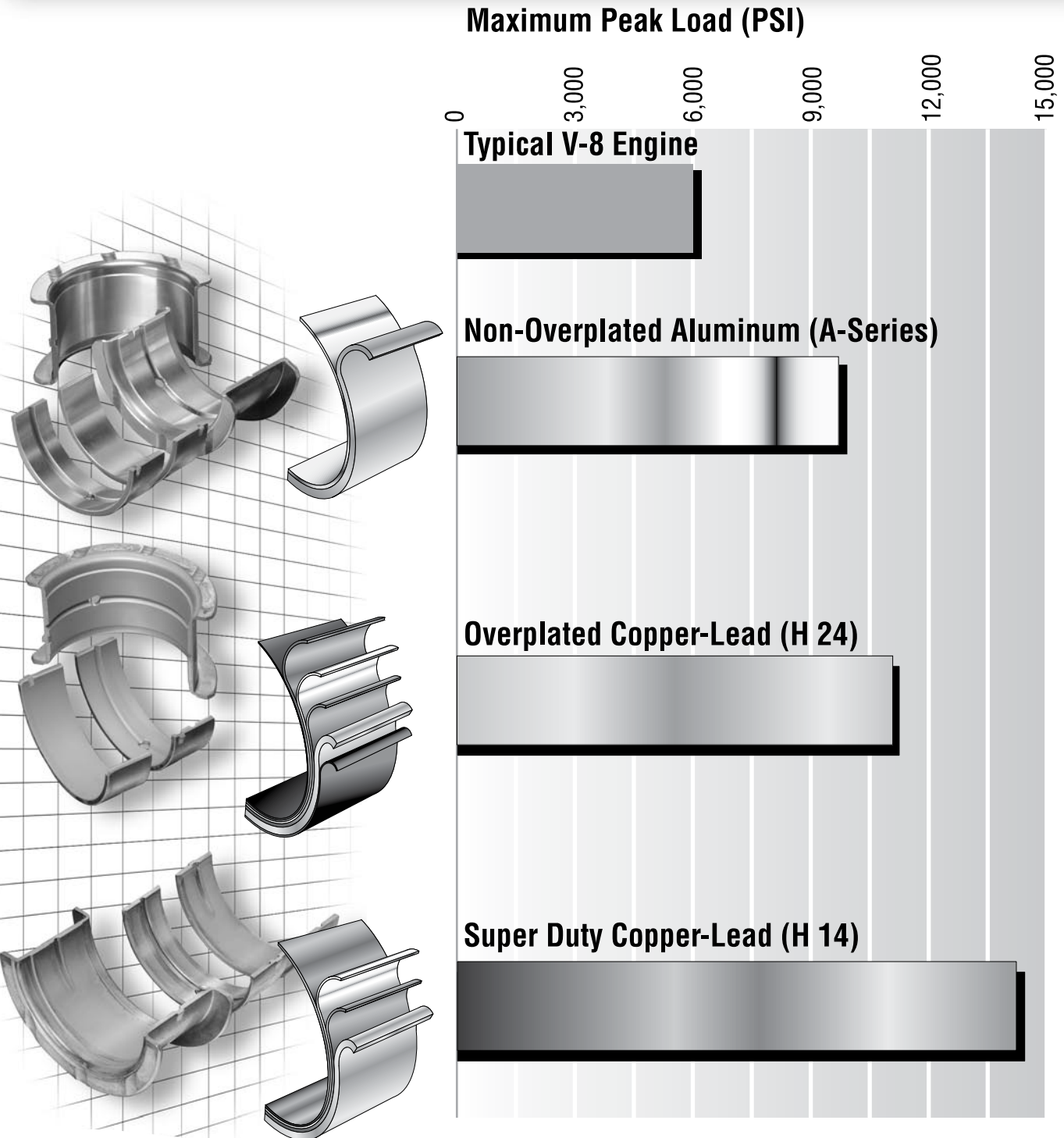
Babbitt



Frequently found in cam bearings, this alloy is also used in rod and main bearings for supercharged nitromethane or alcohol-fueled race engines which require high embedability and conformability. These engines require that the engine bearing be "sacrificial," deforming under the extreme loads and not damaging expensive racing crankshafts. Such race engines must receive frequent bearing inspection and replacement. Babbitt is not recommended material for rod or main bearings in engines expected to have a long service life.

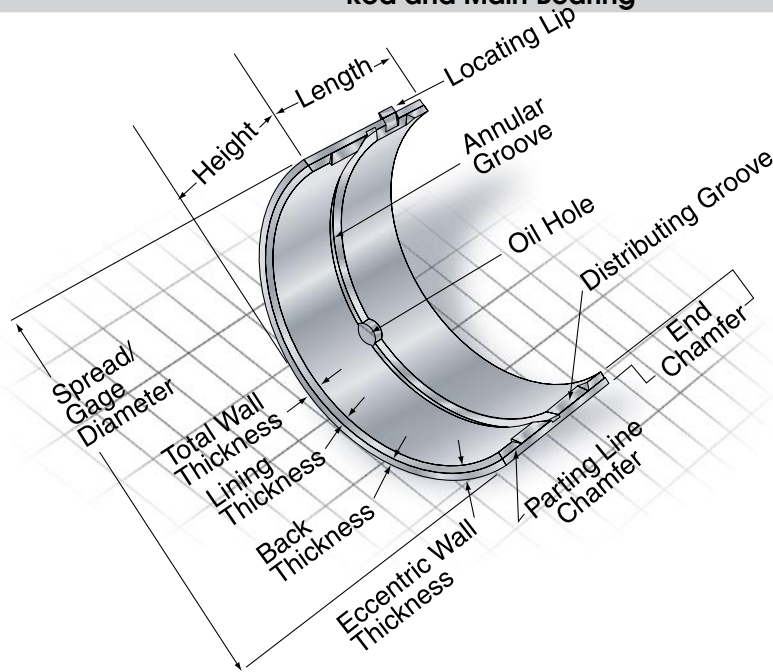


BEARING MATERIALS – COMPARATIVE LOAD CAPACITY

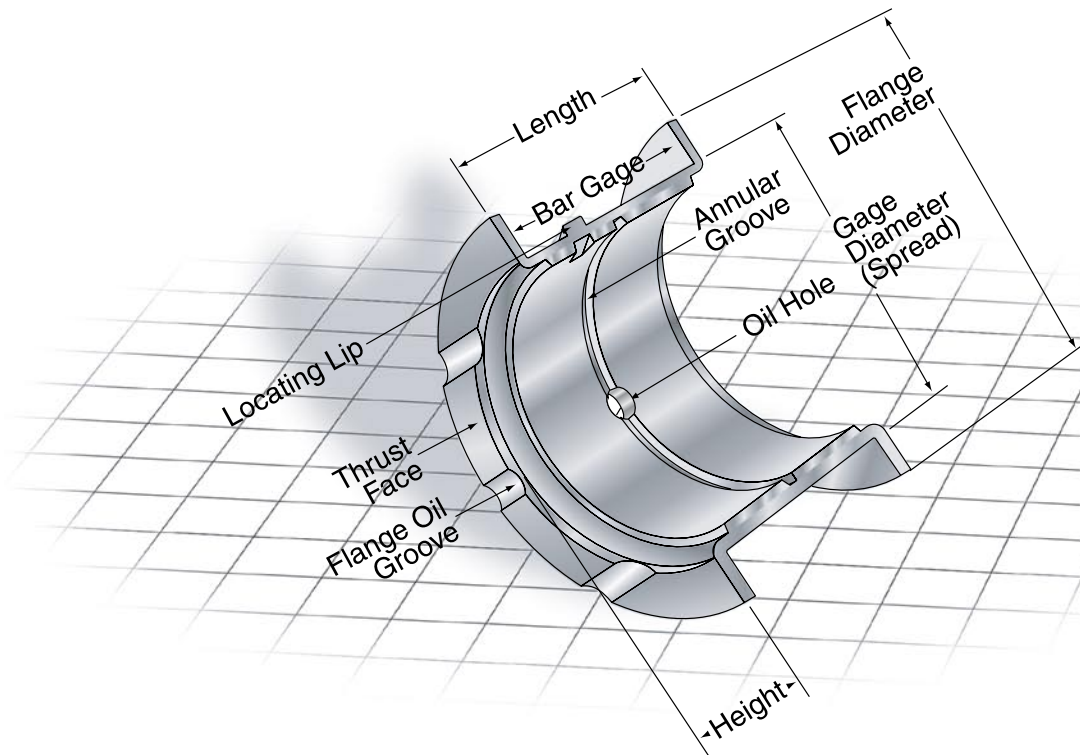


ENGINE BEARING NOMENCLATURE

Rod and Main Bearing



Thrust Bearing





HEAVY DUTY PISTONS

Our heavy duty pistons are designed for severe operating conditions. We offer one and two piece designs in aluminum and cast iron. For severe and high load applications, we include a metallurgically bonded Ni-resist insert in the top, and in some cases, the second ring groove. The Ni-resist insert minimizes groove wear and reduces pound-out from the compression ring. Anodized heads and graphite-coated skirts offer additional durability in severe applications.

We design our heavy duty pistons using the latest in computer aided design (CAD) software. Each application is thoroughly researched to ensure the proper dimensional and metallurgical requirements. And since we also design and manufacture cylinder liners and piston rings, our engineers can make sure each piston we develop provides optimum performance as part of the "power-cylinder" system.



SLEEVES AND ASSEMBLIES

Cylinder sleeves are produced in our own QS9000 registered facility complete with casting, induction hardening, machining, measurement and design capabilities. We start with raw castings produced on a state-of-the-art molding line specifically designed for the manufacture of static cast cylinder liners. The static castings produced by our foundry have a very consistent microstructure and superior scuffing resistance.

Certain applications are induction hardened or thru-hardened to enhance the wear characteristics and strength of the liner. Hardened liners are typically used in engines highly susceptible to dirt contamination, such as construction or agricultural applications.

Machining is performed on modern CNC equipment to ensure dimensional stability and exacting tolerances. Cylinder liners are typically finish honed to generate a plateau finish. The plateau finish promotes rapid ring seating during break-in while providing a long-wearing sealing surface.

We offer sleeves for wet, dry and repair applications. Sleeve assemblies or kits include the sleeve, piston, piston pin and lock rings, piston rings and sealing rings.





ENGINE PRELUBE

The Ultimate Lubricant to Prevent Scuffing and Galling During Engine Break-in

Sealed Power Engine Prelube has been proven effective by more than 30 years of use on the assembly lines of U.S. car, truck and off-road engine manufacturers.

It is formulated especially for prelubrication of camshaft lobes and lifters (mechanical and hydraulic) prior to engine oil circulation. Also recommended for bearings, valve stems, rocker arms, push rod tips and other metal-to-metal contact areas within the engine.

Sealed Power Engine Prelube increases load-carrying capacity of the engine oil during "break-in" to prevent scuffing and galling. Special additives withstand the extreme pressures exerted on cams and lifters.

Holds fast to surfaces on which it is applied. Won't run off like engine oil, even after prolonged storage time.

Petroleum base is compatible with engine oil and will not affect its viscosity. Functions as an oil additive.

Unlike thick "grease type" assembly lubricants, Sealed Power Engine Prelube flows easily and spreads freely to provide excellent coverage of metal surfaces.

Recommended for passenger car, high performance, racing and heavy duty engines- both gasoline and diesel.



NEW Counter Display Pack!

Part Number	Contents
55-400	(1) 4 oz. Squeeze Container
55-403	(50) 1.5 oz. Packets

PLASTIGAGE

Sealed Power PLASTIGAGE® - For High Performance Precision

A Quick and Accurate Method for Measuring Main and Connecting Rod Bearing Clearances.

Sealed Power Plastigage ends the guessing game when measuring clearances of main and connecting rod bearings. Specially formulated and oil soluble, Plastigage strips flatten precisely for accurate reading. Plastigage strips are available in four size ranges, packaged 12 to a carton, (enough to do 12 engines). Part number SPG-1 cartons contain strips in the .001-.003 inch range. Part number SPR-1 cartons hold strips in the .002-.006 inch range. SPB-1 cartons include strips in the .004-.009 inch range. SPY-1 cartons contain strips in the .009-.020 inch range. This complete range of sizes will fit every passenger car and heavy duty engine.



SPG-1	.001-.003 in.
SPR-1	.002-.006 in.
SPB-1	.004-.009 in.
SPY-1	.009-.020 in.



Valve Guide Machining Tools


These tools machine the OD and faces the valve guide in one easy operation averaging 35 seconds per guide. Each tool can be used on a wide range of engines.

The tool number and seal number are the same. Example: MT-2001H is used with ST-2001.

Tool No.	Pilot Dia.	Machined Dia.
MT-2001H	.343	.562
MT-2005H	.312	.500
MT-2014H	.375	.500

MT-5 and MT-101 Ring Compressors


For fast and easy piston installation into the cylinder. Rugged two-band construction and ratchet release for easy handling.

MT-5: for pistons 3" to 5" diam.

Piston Ring Filer MT-135


Quick, efficient tool to properly grind ring end gaps. The only filer on the market that properly grinds the ring from outside to inside. Both sides of the gap are ground in one operation and are held parallel.

MT-135CR: Replacement Filer Blade



SPECIALTY TOOLS

MT-116 Ridge Reamer



Improved heavy duty tool removes ridges from all modern engines with 3"-5" bore. Reversible cutter blade of high grade carbide works well in canted cylinders. It will not damage out-of-round cylinders; follows bore shape, will not overcut or chatter. Remove ridges completely. Reinforced, heat treated for long life.

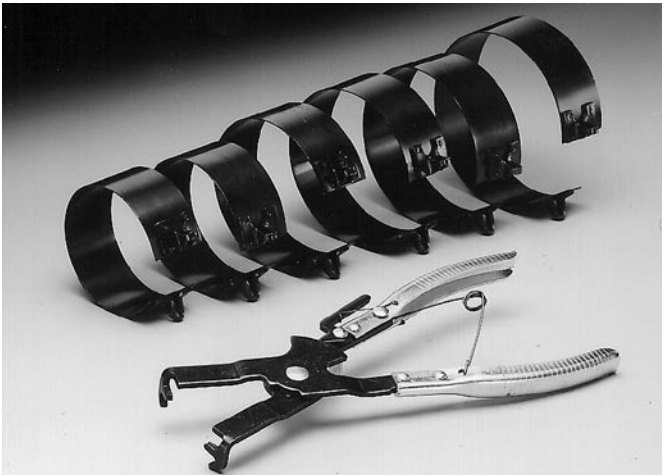
MT-2 Ring Tool



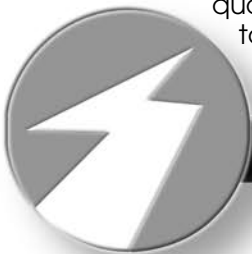
An indispensable tool for installing rings on pistons without breakage or distortion. Can be used with rings from 2 1/2" to 6 1/4".

Caution: Do not expand piston rings more than necessary to install them on the piston.

MT-117 Ring Compressor Tool



Increase production. Increase profit. This is the fastest, most efficient ring tool on the market. Handles rings 1 7/8" to 5 7/8". Precision built of quality steel, this tool stands up to hard daily use.



ABBREVIATIONS USED

ABBREVIATION	DESCRIPTION	ABBREVIATION	DESCRIPTION
&	And	Ctr.	Center
2WD	Two Wheel Drive	CW	Clockwise
4WD	Four Wheel Drive	Cyl.	Cylinder
A.I.R.	Air Injector Reactor	Cyl. Hd.	Cylinder Head
A/C	Air Conditioning	DC	Direct Current
A/R	As Required	Deg.	Degree
A/T	Automatic Transmission	DFI	Digital Fuel Injection
ABS	Anti-lock Brake System	DI	Direct Injection
AC	Alternating Current	Dia.	Diameter
Acc.	Accessory	Dim.	Dimension
Adj.	Adjustable	Dir. Inj.	Direct Injection
Adv.	Advance	Disc.	Discontinued
Aft.	After	Dist.	Distributor
Alt.	Altitude	DOHC	Dual Overhead Camshaft
Alum.	Aluminum	Dr.	Door or Drive
Amp.	Ampere	E.E.C.	Electronic Engine Control
AOD	Automatic Overdrive	E.I.S.	Electronic Ignition System
Appl.	Application	Ea.	Each
Approx.	Approximately	Ecc.	Eccentric
Asst.	Assist	ECM	Electronic Computer Module
Assy.	Assembly	ECM	Electronic Control Module
ATV	All Terrain Vehicle	ECM	Engine Control Module
Auto.	Automatic	Econ.	Economy
Auto. Trans.	Automatic Transmission	ECS	Electronic Controlled Spark
Aux.	Auxiliary	EFI	Electronic Fuel Injection
Avail.	Available	Elec.	Electric
Avg.	Average	Emis.	Emission
AWD	All Wheel Drive	Eng.	Engine
Bal.	Balance	Equip.	Equipment
Batt.	Battery	Etc.	Et Cetera
Bbl.	Barrel	Exc.	Except
Bbl. Carb.	Barrel Carburetor	Exh.	Exhaust
Bef.	Before	Exp.	Export
Brg.	Bearing	Ext.	Exterior
Brkt.	Bracket	Ext.	External
C.	Celsius	F.	Fahrenheit
C.I.	Cast Iron	Fed.	Federal
C.R.	Compression Ratio	FI	Fuel Injection
C/L	Centerline	Flex.	Flexible
Calib.	Calibration	Flg.	Flange
Calif.	California	Flwr.	Follower
Cam.	Camshaft	Frg.	Forged or Forging
Can.	Canada	Fr.	Front
Carb.	Carburetor	FWD	Front Wheel Drive
Cat.	Catalytic	Gal.	Gallon
cc	Cubic Centimeter	Gas.	Gasoline
CCW	Counter Clockwise	GPH	Gallons Per Hour
CD	Compression Distance	GPM	Gallons Per Minute
CFFI	Cross Fire Injection	Grv(s)	Groove(s)
CFI	Central Fuel Injection	Gskt.	Gasket
CFM	Cubic Feet per Minute	GVW	Gross Vehicle Weight
CID	Cubic Inch (Displacement)	H/D	Heavy Duty
Cld.	Cooled	Hd.	Head
Clg.	Cooling	HEI	High Energy Ignition
Clr.	Cooler	Hi	High
cm	Centimeter		
Cntr. Bore	Counter Bore		
Compl.	Complete		
Con. Rod	Connecting Rod		
Cruise	Cruise Control		





ABBREVIATIONS USED

ABBREVIATION	DESCRIPTION	ABBREVIATION	DESCRIPTION
Hi Alt.	High Altitude	Pass.	Passenger
Hi-Perf.	High Performance	Pc(s)	Piece(s)
Hi-Temp.	High Temperature	PCV	Positive Crankcase Ventilation
HO	High Output	Perf.	Performance
Horiz.	Horizontal	Pkg	Package
HP	Horsepower	Pos.	Positive
HSC	High Swirl Combustion	Prem.	Premium
Hyd.	Hydraulic	Pri.	Primary
I/C	Intercooler	PSI	Pound Per Square Inch
I.D.	Identification	Pwr.	Power
ID	Inside Diameter	Qtr.	Quarter
IDI	Indirect Injection	Qty.	Quantity
In. Frm.	In Frame	R.B.P.	Ring Below Pin
In.	Inch	R.H.	Right Hand
Incl.	Includes	Ref.	Reference
Ind.	Industrial	Reg.	Regular
Inj.	Injection	Reman.	Remanufactured
Int.	Intake	Req'd	Required
Inter.	Intermediate	Rev.	Revision
L.	Liter	Rev. Rot.	Reverse Rotation
L.H.	Left Hand	Rlr.	Roller
L/D	Light Duty	RMB	Rear Main Bearing
Lgth.	Length	Rot.	Rotation
LPG	Liquid Propane Gas	RPM	Revolutions Per Minute
M/D	Medium Duty	Rr.	Rear
M/T	Manual Transmission	RWD	Rear Wheel Drive
Man.	Manual	S/C	Supercharged
Man. Trans.	Manual Transmission	Seal. Rings	Sealing Rings
Max.	Maximum	Ser.	Serial or Series
Mech.	Mechanical	Ser. No.	Serial Number
MFI	Multi-Port Fuel Injection	SFI	Sequential Fuel Injection
Min.	Minimum	Slv.	Sleeve
mm	Millimeters	SOHC	Single Overhead Cam
MPH	Miles Per Hour	Spd.	Speed
Mtl.	Material	Spec.	Special
N/A	Not Available	Sta.	Station
N/R	Not Required	Std.	Standard
Nat.	Natural	Sys.	System
Nat. Asp.	Naturally Aspirated	T/C	Turbocharged
Neg.	Negative	Tach	Tachometer
Neut.	Neutral	TBI	Throttle Body Injection
No.	Number	Temp.	Temperature
Nom.	Nominal	TPI	Tuned Port Injection
Norm.	Normal	Trans.	Transmission
O.A.L.	Overall Length	Trk.	Truck
O.E.	Original Equipment	TTY	Torque-to-Yield
O/D	Overdrive	TURBO	Turbocharged
O/S	Oversize	U/S	Under Size
Obs.	Obsolete	Veh.	Vehicle
OD	Outside Diameter	VIN	Vehicle Identification Number
OEM	Original Equipment Manufacturer	VIV	Valve
OHC	Overhead Cam	VSS	Valve Stem Seal
OHV	Overhead Valve	w/	With
Opt.	Optional	w/o	Without
Orig.	Original	Wagon	Station Wagon
oz.	Ounce	Wt.	Weight
P.T.O.	Power Take Off		
P/S	Power Steering		



CONVERSION TABLES

Decimal Equivalents

8THS.	16THS.	32NDS.	64THS.	DECIMALS	mm
		1/32 ...	1/64015625	.396875
			3/64031250	.793750
	1/16 ...		5/64046875	1.190625
		3/32 ...	7/64062500	1.587500
1/8 ...			9/64078125	1.984375
		5/32 ...	11/64093750	2.381250
	3/16 ...		13/64109375	2.778125
		7/32 ...	15/64125000	3.175000
1/4 ...			17/64140625	3.571875
	5/16 ...	9/32 ...	19/64156250	3.968750
			21/64171875	4.365625
		11/32 ...	23/64187500	4.762500
3/8 ...			25/64203125	5.159375
	7/16 ...	13/32 ...	27/64218750	5.556250
			29/64234375	5.953125
		15/32 ...	31/64250000	6.350000
1/2 ...			33/64265625	6.746875
	9/16 ...	17/32 ...	35/64281250	7.143750
			37/64296875	7.540625
		19/32 ...	39/64312500	7.937500
5/8 ...			41/64328125	8.334375
	11/16 ...	21/32 ...	43/64343750	8.731250
			45/64359375	9.128125
		23/32 ...	47/64375000	9.525000
3/4 ...			49/64390625	9.921875
	13/16 ...	25/32 ...	51/64406250	10.318750
			53/64421875	10.715625
		27/32 ...	55/64437500	11.112500
7/8 ...			57/64453125	11.509375
	15/16 ...	29/32 ...	59/64468750	11.906250
			61/64484375	12.303125
		31/32 ...	63/64500000	12.700000
1515625	13.096875
				.531250	13.493750
				.546875	13.890625
				.562500	14.287500
				.578125	14.684375
				.593750	15.081250
				.609375	15.478125
				.625000	15.875000
				.640625	16.271875
				.656250	16.668750
				.671875	17.065625
				.687500	17.462500
				.703125	17.859375
				.718750	18.256250
				.734375	18.653125
				.750000	19.050000
				.765625	19.446875
				.781250	19.843750
				.796875	20.240625
				.812500	20.637500
				.828125	21.034375
				.843750	21.431250
				.859375	21.828125
				.875000	22.225000
				.890625	22.621875
				.906250	23.018750
				.921875	23.415625
				.937500	23.812500
				.953125	24.209375
				.968750	24.606250
				.984375	25.003125
				1.000000	25.003125

Inches to Millimeters

.001	0.0254mm
.002	0.0508mm
.003	0.0762mm
.004	0.1016mm
.005	0.1270mm
.006	0.1524mm
.007	0.1778mm
.008	0.2032mm
.009	0.2286mm
.010	0.2540mm
.020	0.5080mm
.030	0.7620mm
.040	1.0160mm
.050	1.2700mm
.060	1.5240mm
.070	1.7780mm
.080	2.0320mm
.090	2.2860mm
.100	2.5400mm

Millimeters to Inches

0.025mm000984
0.050mm001968
0.075mm002952
0.100mm003937
0.125mm004921
0.150mm005905
0.175mm006889
0.200mm007874
0.225mm008858
0.250mm009842
0.500mm019685
0.750mm029527
1.000mm039370
1.250mm049212
1.500mm059055
1.750mm068897
2.000mm078740
2.250mm088582
2.500mm098425

Conversion Formulae

28.349 gm./oz.
453.592 gm./lb.

16.387 cc/in.³
61.024 in.³/L

3.785 L/U.S. gal.
4.546 L/Imp. gal.
0.264 U.S. gal./L
0.220 Imp. gal./L



The products listed in this catalog are warranted to be free from defects in material and workmanship, under normal use and service, for two years from the date of installation in an engine, without mileage or hour qualification.

WARRANTY LIMITATIONS

We agree to only pay for parts and labor needed to repair engine damages that result from the defined warranty failure. The costs are limited to parts and labor necessary for restoring the engine to its condition immediately prior to the failure.

Labor costs are determined by current published rates and standards in the geographic area in which repairs are performed. Overtime or holiday rate charges are not allowed. We will also pay for maintenance products such as oil, antifreeze, belts, hoses and filter elements that are damaged because of a defined warranty failure.

We are not responsible for engine failure resulting from owner or operator neglect or abuse, improper installation or repair procedures, alteration or misapplication of parts, or use in engines modified for competition purposes.

This warranty and remedy apply to new FP Diesel engine parts from Federal-Mogul sold directly to our authorized aftermarket customers in the U.S. and Canada. Warranties such as merchantability or fitness for a particular purpose are excluded to the extent they exceed the warranty coverage described by this warranty statement. No agent or sales representative of Federal-Mogul Corporation has the authority to modify this warranty. Other Federal-Mogul parts may carry different warranties.

WARNING

Use parts only for applications and interchanges in this catalog. Failure to heed this warning could result in reduced life or failure of the part. All parts listed in this catalog are manufactured to the highest industry standards, but are not intended for use in space program, atomic energy/nuclear reactor equipment, medical, or aircraft applications.

AVERTISSEMENT

N'utiliser les pièces que pour les applications ou les remplacements de ce catalogue. Si vous négligez cet avertissement vous risquez de diminuer la durée de la pièce ou de causer une panne. Toutes les pièces répertoriées dans ce catalogue sont fabriquées conformément aux plus hauts standards de l'industrie, mais elles ne sont pas conçues pour être utilisées dans les programmes interplanétaires et spatiaux, les équipements de réacteur nucléaire ou d'énergie atomique, les applications aéronautiques ou médicales.

ADVERTENCIA

Use solamente los números de parte para la aplicación o intercambios indicados en este catálogo. La falta de atención a esta advertencia puede resultar en una vida reducida o en la falla del repuesto. Todas las partes listadas en este catálogo están fabricadas de acuerdo a los normas más altas de la industria, sin embargo, no deben utilizarse en programas espaciales/interplanetarios, equipos de energía atómica/reactores nucleares, equipos médicos o aplicaciones aeronáuticas.

Engine Code Index

Engine Code	Line No.	Engine Code	Line No.
4D105 ... Build Series 3C	31	6D95L ... Build Series	
4D105 ... Build Series 5H	30	1AC-E	39
4D105 ... Build Series 5H		6D95L ... Build Series	
	28	1AF-1	50
4D105 ... Build Series 5J	37	6D95L ... Build Series 1B	40
4D105 ... Build Series 5T	30	6D95L ... Build Series 1BB	38
4D105 ... Build Series 5T		6D95L ... Build Series 1C	40
	27	6D95L ... Build Series 1HH	47
4D105 ... Build Series 5T		6D95L ... Build Series 1L	49
	29	6D95L ... Build Series 1VV	39
4D95L ... Build Series 1AA	4	6D95L ... Build Series 1Z	49
4D95L ... Build Series		S4D102E ... Build Series 1	24
1AA-7	4	S4D102E ... Build Series 1	26
4D95L ... Build Series 1BB	4	S4D102E ... Build Series	
4D95L ... Build Series 1BW	5	1AA	19
4D95L ... Build Series 1C	3	S4D102E ... Build Series	
4D95L ... Build Series 1CC	4	1AE	17
4D95L ... Build Series 1FF	5	S4D102E ... Build Series 1B	18
4D95L ... Build Series 1G	3	S4D102E ... Build Series 1D	17
4D95L ... Build Series 1GG	5	S4D102E ... Build Series 1E	17
4D95L ... Build Series 1K	3	S4D102E ... Build Series	
4D95L ... Build Series 1L	3	1F-US	17
4D95L ... Build Series 1W	5	S4D102E ... Build Series 1J	11
4D95L ... Build Series 1Z	3	S4D102E ... Build Series	
4D95L ... Build Series W-1A	10	1N-L	25
4D95L ... Build Series W-1B	10	S4D102E ... Build Series 1V	17
4D95L ... Build Series W-1E	10	S4D105 ... Build Series 1B	32
4D95LE ... Build Series 2A	6	S4D105 ... Build Series 1C	32
4D95LE ... Build Series 2B	6	S4D105 ... Build Series 2B	32
4D95LE ... Build Series 2C	6	S4D105 ... Build Series 2C	32
4D95S ... Build Series 1H	2	S4D105 ... Build Series 3B	33
4D95S ... Build Series 1J	2	S4D105 ... Build Series 3C	33
4D95S ... Build Series W-1F	1	S4D105 ... Build Series 5A	36
4D95S ... Build Series		S4D105 ... Build Series 5A	36
W-1G	1		35
6D105 ... Build Series 1BB	93	S4D105 ... Build Series 5B	36
6D105 ... Build Series 1F	81	S4D105 ... Build Series 5B	35
6D105 ... Build Series 1F			36
	82	S4D105 ... Build Series 5E	36
6D105 ... Build Series 1M-P	80	S4D105 ... Build Series 5E	35
6D105 ... Build Series 1M-P			35
	79	S4D95L ... Build Series 1A	7
6D105 ... Build Series 1P	87	S4D95L ... Build Series 1B	7
6D105 ... Build Series 1P		S4D95L ... Build Series 1G	7
	86	S4D95L ... Build Series 1G	7
6D105 ... Build Series 1U	81	S4D95L ... Build Series 1J	8
6D105 ... Build Series 1Z	93	S4D95L ... Build Series 1K	8
6D125 ... Build Series 1A	111	S4D95L ... Build Series 1M	8
6D125 ... Build Series 1AB	136	S4D95LE ... Build Series	
6D125 ... Build Series		3A-2	9
1AB-N	136	S6D102 ... Build Series 1	57
6D125 ... Build Series 1AF	111	S6D102 ... Build Series 1	70
6D125 ... Build Series 1AM	111	S6D102 ... Build Series 1	75
6D125 ... Build Series 1AN	111	S6D102E ... Build Series 1	71
6D125 ... Build Series 1C	111	S6D102E ... Build Series 1	58
6D125 ... Build Series 1DD	111	S6D102E ... Build Series 1	61
6D125 ... Build Series 1EE	111	S6D102E ... Build Series 1	73
6D125 ... Build Series 1F	111	S6D102E ... Build Series 1	77
6D125 ... Build Series 1J	111	S6D102E ... Build Series	
6D125 ... Build Series 1JJ	111	1-Z	56
6D125 ... Build Series 1K	111	S6D102E ... Build Series	
6D125 ... Build Series 1N	136	1AA	59
6D125 ... Build Series 1Q	136	S6D102E ... Build Series	
6D125 ... Build Series 1R	136	1AA	62
6D125 ... Build Series 1Y	136	S6D102E ... Build Series	
6D125 ... Build Series 1Z	136	1AB	61
6D125E ... Build Series 2	128	S6D102E ... Build Series	
6D125E ... Build Series 2A	112	1AB	61
6D125E ... Build Series 2D	112	S6D102E ... Build Series	
6D125E ... Build Series 2G	112	1AC	61
6D125E ... Build Series 2H	112	S6D102E ... Build Series	
6D95L ... Build Series 1A	40	1BB	53
6D95L ... Build Series 1AA	38		

(continued on next page)

Engine Code Index

Engine Code	Line No.	Engine Code	Line No.
S6D102E ... Build Series		S6D125 ... Build Series 1F Eng. Ser. No. 10001-Up	117
1BB Eng. Ser. No. 26255384-Up	55	S6D125 ... Build Series 1FF.. Eng. Ser. No. 24781-Up	115
S6D102E ... Build Series		S6D125 ... Build Series	
1BB From Eng. Ser. No. 26200929 to		1GG Eng. Ser. No. 25851-Up	116
26255383	54	S6D125 ... Build Series 1JJ... Eng. Ser. No. 11574-Up	138
S6D102E ... Build Series 1C. Eng. Ser. No. 26200929-Up	60	S6D125 ... Build Series 1KK. Eng. Ser. No. 26570-Up	138
S6D102E ... Build Series 1C. Eng. Ser. No. 26202240-Up	60	S6D125 ... Build Series 1M ... Eng. Ser. No. 11574-Up	138
S6D102E ... Build Series		S6D125 ... Build Series 1R... Eng. Ser. No. 16790-Up	124
1C-US Eng. Ser. No. 26202240-Up	60	S6D125 ... Build Series 1S.... Eng. Ser. No. 23689-Up	129
S6D102E ... Build Series		S6D125 ... Build Series 1S.... From Eng. Ser. No. 13137 to	
1C-Z Eng. Ser. No. 26200929-Up	60	23688	130
S6D102E ... Build Series 1F.. Eng. Ser. No. 26200929-Up	60	S6D125 ... Build Series 1T Eng. Ser. No. 26691-Up	130
S6D102E ... Build Series		S6D125 ... Build Series 1T From Eng. Ser. No. 13444 to	
1FL-S2 Eng. Ser. No. 26200929-Up	60	26690	130
S6D102E ... Build Series 1T.. Eng. Ser. No. 26200929-Up	72	S6D125 ... Build Series 1VV. Eng. Ser. No. 47224-Up	130
S6D102E ... Build Series		S6D125 ... Build Series 1VV.. Eng. Ser. No. 48088-Up	130
1W-D Eng. Ser. No. 26200929-Up	76	S6D125 ... Build Series 1VV.. From Eng. Ser. No. 35323 to	
S6D102E ... Build Series		48087	130
1W-L Eng. Ser. No. 26200929-Up	76	S6D125 ... Build Series 1Z Eng. Ser. No. 21431-Up	138
S6D102E ... Build Series		S6D125E ... Build Series 2	119
1W-PT Eng. Ser. No. 26200929-Up	76	S6D125E ... Build Series 2.... Eng. Ser. No. 60863-Up	120
S6D102E ... Build Series 1X.. Eng. Ser. No. 26200929-Up	76	S6D125E ... Build Series 2A.. Eng. Ser. No. 60863-Up	118
S6D102E ... Build Series		S6D125E ... Build Series 2C . Eng. Ser. No. 60863-Up	121
1XL Eng. Ser. No. 26200929-Up	76	S6D125E ... Build Series 2E.. Eng. Ser. No. 60863-Up	120
S6D105 ... Build Series 1 Eng. Ser. No. 72681-Up	92	S6D125E ... Build Series 2F.. Eng. Ser. No. 60863-Up	120
S6D105 ... Build Series 1AJ.. Eng. Ser. No. 86535-Up	94	S6D125E ... Build Series 2J.. Eng. Ser. No. 60863-Up	118
S6D105 ... Build Series 1B ... Eng. Ser. No. 97284-Up	85	S6D155 ... Build Series 4A ... Eng. Ser. No. 10014-Up	142
S6D105 ... Build Series 1F Eng. Ser. No. 50001-Up	90	S6D155 ... Build Series 4B ... Eng. Ser. No. 10016-Up	142
S6D105 ... Build Series 1F From Eng. Ser. No. 12124 to		S6D155 ... Build Series 4C... Eng. Ser. No. 10011-Up	142
49999	88	S6D155 ... Build Series 4E... Eng. Ser. No. 15182-Up	142
S6D105 ... Build Series 1G.... Eng. Ser. No. 50001-Up	84	S6D155 ... Build Series 4J... Eng. Ser. No. 22144-Up	142
S6D105 ... Build Series 1G.... From Eng. Ser. No. 12124 to		S6D155 ... Build Series 4S... Eng. Ser. No. 52707-Up	142
49999	83	S6D95L ... Build Series 1B... Eng. Ser. No. 10001-Up	51
S6D105 ... Build Series 1KK.. Eng. Ser. No. 10281-Up	89	S6D95L ... Build Series 1C... Eng. Ser. No. 10001-Up	41
S6D105 ... Build Series 1NN. Eng. Ser. No. 81519-Up	92	S6D95L ... Build Series 1D... Eng. Ser. No. 15060-Up	41
S6D105 ... Build Series 1PP.. Eng. Ser. No. 81520-Up	89	S6D95L ... Build Series	
S6D105 ... Build Series 1SS.. Eng. Ser. No. 86535-Up	94	1GG Eng. Ser. No. 58644-Up	43
S6D105 ... Build Series 1TT.. Eng. Ser. No. 86423-Up	94	S6D95L ... Build Series 1JJ... Eng. Ser. No. 35360-Up	43
S6D105 ... Build Series 1VV.. Eng. Ser. No. 86432-Up	85	S6D95L ... Build Series 1KK. Eng. Ser. No. 35360-Up	43
S6D105 ... Build Series		S6D95L ... Build Series 1L Eng. Ser. No. 22170-Up	48
1WW Eng. Ser. No. 63244-Up	94	S6D95L ... Build Series 1M ... Eng. Ser. No. 26330-Up	51
S6D105 ... Build Series 1X.... Eng. Ser. No. 63244-Up	94	S6D95L ... Build Series	
S6D105 ... Build Series 1YY.. Eng. Ser. No. 91468-Up	89	1MM Eng. Ser. No. 106426-Up	42
S6D105 ... Build Series 1Z Eng. Ser. No. 62361-Up	85	S6D95L ... Build Series	
S6D105 ... Build Series 1Z Eng. Ser. No. 97407-Up	85	1MM-C Eng. Ser. No. 106426-Up	42
S6D105 ... Build Series 1ZZ.. Eng. Ser. No. 91468-Up	91	S6D95L ... Build Series	
S6D105 ... Build Series		1NN-18..... Eng. Ser. No. 106426-Up	52
B-1A Eng. Ser. No. 61481-Up	85	S6D95L ... Build Series 1P Eng. Ser. No. 27750-Up	41
S6D105 ... Build Series		S6D95L ... Build Series	
B-1A Eng. Ser. No. 78966-Up	85	1PP-25 Eng. Ser. No. 106426-Up	52
S6D114 ... Build Series 1 Eng. Ser. No. 44706126-Up	103	S6D95L ... Build Series 1Q... Eng. Ser. No. 27756-Up	48
S6D114 ... Build Series 1 Eng. Ser. No. Up to 44706125 ...	100	S6D95L ... Build Series 1U... Eng. Ser. No. 35360-Up	43
S6D114E ... Build Series 1	101	S6D95L ... Build Series	
S6D114E ... Build Series 1	104	1U-C Eng. Ser. No. 35360-Up	43
S6D114E ... Build Series 1 Eng. Ser. No. 30456012-Up	95	S6D95L ... Build Series 1W... Eng. Ser. No. 36830-Up	41
S6D114E ... Build Series 1 Eng. Ser. No. 44706126-Up	101	SA4D102E ... Build Series	
S6D114E ... Build Series 1A.. Eng. Ser. No. 30456012-Up	101	1AA Eng. Ser. No. 21240928-Up	21
S6D125 ... Build Series 1AG. Eng. Ser. No. 51975-Up	114	SA4D102E ... Build Series	
S6D125 ... Build Series		1AB Eng. Ser. No. 21240928-Up	22
1AJ-S Eng. Ser. No. 51975-Up	138	SA4D102E ... Build Series	
S6D125 ... Build Series		1AB Eng. Ser. No. 24271444-Up	22
1AM..... Eng. Ser. No. 51975-Up	138	SA4D102E ... Build Series	
S6D125 ... Build Series 1B8.. Eng. Ser. No. 22230-Up	125	1AC Eng. Ser. No. 21240928-Up	21
S6D125 ... Build Series 1C.... Eng. Ser. No. 10001-Up	137	SA4D102E ... Build Series	
S6D125 ... Build Series 1CC. Eng. Ser. No. 22313-Up	116	1AE Eng. Ser. No. 26213103-Up	20
S6D125 ... Build Series		SA6D102 ... Build Series 1	63
1CC-C Eng. Ser. No. 22313-Up	116	SA6D102E ... Build Series 1.....	65
S6D125 ... Build Series		SA6D102E ... Build Series 1.. Eng. Ser. No. 21296537-Up	67
1D-AR Eng. Ser. No. 10001-Up	137	SA6D102E ... Build Series	
S6D125 ... Build Series 1E.... Eng. Ser. No. 23193-Up	113	1-GD Eng. Ser. No. 46018290-Up	74
S6D125 ... Build Series 1E.... From Eng. Ser. No. 10006 to		SA6D102E ... Build Series	
23192	117	1AC Eng. Ser. No. 21288263-Up	64
S6D125 ... Build Series 1EE.. Eng. Ser. No. 10001-Up	137		

Engine Code Index

Engine Code	Line No.	Engine Code	Line No.
SA6D102E ... Build Series		SA6D95L ... Build Series 1	45
1B..... Eng. Ser. No. 26200467-Up	78	SA6D95L ... Build Series 1 Eng. Ser. No. 35398-Up	44
SA6D102E ... Build Series		SA6D95L ... Build Series 1C . Eng. Ser. No. 35398-Up	44
1B-C..... Eng. Ser. No. 26200467-Up	78	SA6D95L ... Build Series 1J .. Eng. Ser. No. 111870-Up	45
SA6D102E ... Build Series		SAA4D102E ... Build Series	
1C..... Eng. Ser. No. 26200467-Up	66	2A..... Eng. Ser. No. 26277757-Up	16
SA6D114 ... Build Series 1	96	SAA4D102E ... Build Series	
SA6D114 ... Build Series 1	105	2B-4 Eng. Ser. No. 26277757-Up	16
SA6D114 ... Build Series		SAA4D102E ... Build Series	
1AA..... Eng. Ser. No. 21271827-Up	106	2E-4 Eng. Ser. No. 26277757-Up	23
SA6D114E ... Build Series 1	97	SAA6D102E ... Build Series	
SA6D114E ... Build Series 1	107	2-PW Eng. Ser. No. 21494941-Up	69
SA6D114E ... Build Series 1-GD	98	SAA6D102E ... Build Series	
SA6D114E ... Build Series		2A..... Eng. Ser. No. 26274903-Up	69
1-GD..... Eng. Ser. No. 30456012-Up	102	SAA6D102E ... Build Series	
SA6D114E ... Build Series		2A..... Eng. Ser. No. 26474903-Up	69
1-GD..... Eng. Ser. No. 45992604-Up	102	SAA6D102E ... Build Series	
SA6D114E ... Build Series		2C Eng. Ser. No. 26474903-Up	69
1A..... Eng. Ser. No. 21212392-Up	97	SAA6D102E ... Build Series	
SA6D114E ... Build Series		2C-KU Eng. Ser. No. 21494941-Up	69
1A-KU Eng. Ser. No. 21212392-Up	97	SAA6D114Eng. Ser. No. 21301477-Up	108
SA6D125 ... Build Series 1Q. Eng. Ser. No. 28389-Up	122	SAA6D114E ... Build Series 1	109
SA6D125E ... Build Series 2	131	SAA6D114E ... Build Series	
SA6D125E ... Build Series 2	139	1 Eng. Ser. No. Up to 21301476	109
SA6D125E ... Build Series		SAA6D114E ... Build Series	
2A..... Eng. Ser. No. 60721-Up	132	2 Eng. Ser. No. 26800003-Up	110
SA6D125E ... Build Series		SAA6D114E ... Build Series	
2A..... Eng. Ser. No. 60721-Up	133	2A-A Eng. Ser. No. 26800003-Up	99
SA6D125E ... Build Series		SAA6D114E ... Build Series	
2A-C..... Eng. Ser. No. 60721-Up	133	2B-A Eng. Ser. No. 26800003-Up	110
SA6D125E ... Build Series		SAA6D125E ... Build Series	
2A-KU Eng. Ser. No. 60721-Up	133	2D Eng. Ser. No. 210001-Up	134
SA6D125E ... Build Series		SAA6D125E ... Build Series 3	141
2C-L..... Eng. Ser. No. 60721-Up	140	SAA6D125E ... Build Series	
SA6D125E ... Build Series		3A-W Eng. Ser. No. 310001-Up	141
2C-TA Eng. Ser. No. 85399-Up	140	SAA6D125E ... Build Series	
SA6D125E ... Build Series		3B-W Eng. Ser. No. 310001-Up	141
2G..... Eng. Ser. No. 60721-Up	126	SAA6D125E ... Build Series	
SA6D125E ... Build Series		3G-8W Eng. Ser. No. 310001-Up	127
3A..... Eng. Ser. No. 310314-Up	123	SAA6D95LE ... Build Series	
SA6D125E ... Build Series		1A..... Eng. Ser. No. 150915-Up	46
3B-7 Eng. Ser. No. 310001-Up	123	SAA6D95LE ... Build Series	
SA6D155 ... Build Series 4A.. Eng. Ser. No. 50816-Up	143	1A-C Eng. Ser. No. 150915-Up	46
SA6D155 ... Build Series		SAA6D95LE ... Build Series	
4A-35 Eng. Ser. No. 20338-Up	143	1B..... Eng. Ser. No. 150915-Up	46

Model Index

Model	Line No.	Model	Line No.
Model D135A-1..... Model Ser. No. 10001-Up	122	Model D21AG-7..... From Model Ser. No. 75001 to 78603	2
Model D150A-1.....	142	Model D21E-6..... Model Ser. No. 60001-Up	1
Model D155A-1.....	142	Model D21P-6..... Model Ser. No. 60001-Up	1
Model D155A-2.....	142	Model D21P-6A Model Ser. No. 60001-Up	1
Model D155S-1.....	142	Model D21P-6B Model Ser. No. 60001-Up	1
Model D155W-1.....	142	Model D21PG-7A From Model Ser. No. 75001 to 78603	2
Model D20P-6..... Model Ser. No. 60001-Up	1	Model D21PL-6..... Model Ser. No. 60001-Up	1
Model D20P-6A Model Ser. No. 60001-Up	1	Model D21QG-7 From Model Ser. No. 61001 to 61131	2
Model D20P-7A From Model Ser. No. 75001 to 78603	2	Model D21S-6..... Model Ser. No. 60001-Up	1
Model D20PG-7A From Model Ser. No. 75001 to 78603	2	Model D21S-6A Model Ser. No. 60001-Up	1
Model D20PL-6..... Model Ser. No. 60001-Up	1	Model D21S-7..... From Model Ser. No. 61001 to 61131	2
Model D20PL-7..... From Model Ser. No. 62001 to 62453	2	Model D31A-16..... Model Ser. No. 25001-Up	31
Model D20PLL-6..... Model Ser. No. 60001-Up	1	Model D31A-17..... Model Ser. No. 32001-Up	27
Model D20Q-6..... Model Ser. No. 60001-Up	1	Model D31A-17..... Model Ser. No. 32001-Up	30
Model D20S-6..... Model Ser. No. 60001-Up	1	Model D31E-17..... Model Ser. No. 32001-Up	28
Model D21A-6..... Model Ser. No. 60001-Up	1	Model D31E-17..... Model Ser. No. 32001-Up	29
Model D21A-7..... From Model Ser. No. 75001 to 78603	2	Model D31E-17..... Model Ser. No. 32001-Up	30
		Model D31E-18..... Model Ser. No. 40001-Up	38

(continued on next page)

Model Index				
Model		Line No.	Model	Line No.
Model D31E-20.....	Model Ser. No. 40087-Up.....	39	Model D40A-1.....	Model Ser. No. 1501-Up..... 33
Model D31E-20.....	Model Ser. No. 40087-Up & A40523-Up.....	14	Model D40A-3.....	Model Ser. No. 6001-Up..... 79
Model D31E-20.....	Model Ser. No. A40523-Up.....	39	Model D40A-3.....	Model Ser. No. 6001-Up..... 80
Model D31EX-21.....	Model Ser. No. 50001-Up.....	16	Model D40AF-1A.....	Model Ser. No. 2201-Up..... 32
Model D31P-16.....	Model Ser. No. 25001-Up.....	31	Model D40AM-3.....	Model Ser. No. 6001-Up..... 79
Model D31P-16A.....	Model Ser. No. 25001-Up.....	31	Model D40AM-3.....	Model Ser. No. 6001-Up..... 80
Model D31P-17.....	Model Ser. No. 32001-Up.....	28	Model D40F-3.....	Model Ser. No. 6001-Up..... 79
Model D31P-17.....	Model Ser. No. 32001-Up.....	30	Model D40F-3.....	Model Ser. No. 6001-Up..... 80
Model D31P-17A.....	Model Ser. No. 32001-Up.....	28	Model D40P-3.....	Model Ser. No. 6001-Up..... 79
Model D31P-17A.....	Model Ser. No. 32001-Up.....	30	Model D40P-3.....	Model Ser. No. 6001-Up..... 80
Model D31P-18.....	Model Ser. No. 40001-Up.....	38	Model D40PF-1A.....	Model Ser. No. 2201-Up..... 32
Model D31P-18A.....	Model Ser. No. 40001-Up.....	38	Model D40PF-3A.....	Model Ser. No. 6001-Up..... 79
Model D31P-20.....	Model Ser. No. 45001-Up.....	39	Model D40PF-3A.....	Model Ser. No. 6001-Up..... 80
Model D31P-20A.....	Model Ser. No. 45001-Up.....	14	Model D40PL-1.....	Model Ser. No. 1501-Up..... 32
Model D31P-20A.....	Model Ser. No. 45001-Up.....	39	Model D40PL-1.....	Model Ser. No. 1501-Up..... 33
Model D31PL-16.....	Model Ser. No. 25001-Up.....	31	Model D40PL-3.....	Model Ser. No. 6001-Up..... 79
Model D31PL-20.....	Model Ser. No. 45001-Up.....	39	Model D40PL-3.....	Model Ser. No. 6001-Up..... 80
Model D31PL-16.....	Model Ser. No. 25001-Up.....	31	Model D40PLL-3.....	Model Ser. No. 6001-Up..... 79
Model D31PLL-20.....	Model Ser. No. 45001-Up.....	39	Model D40PLL-3.....	Model Ser. No. 6001-Up..... 80
Model D31PX-21.....	Model Ser. No. 50001-Up.....	16	Model D41A-3.....	Model Ser. No. 6001-Up..... 79
Model D31Q-16.....	Model Ser. No. 25001-Up.....	31	Model D41A-3A.....	Model Ser. No. 6001-Up..... 79
Model D31Q-17.....	Model Ser. No. 32001-Up.....	28	Model D41A-3A.....	Model Ser. No. 6001-Up..... 80
Model D31Q-17.....	Model Ser. No. 32001-Up.....	30	Model D41A-3C.....	Model Ser. No. 6001-Up..... 79
Model D31Q-18.....	Model Ser. No. 40001-Up.....	38	Model D41A-3C.....	Model Ser. No. 6001-Up..... 80
Model D31S-16.....	Model Ser. No. 25001-Up.....	31	Model D41A-6.....	Model Ser. No. B20001-Up..... 56
Model D31S-17.....	Model Ser. No. 32001-Up.....	28	Model D41E-3.....	Model Ser. No. 6001-Up..... 79
Model D31S-17.....	Model Ser. No. 32001-Up.....	30	Model D41E-3.....	Model Ser. No. 6001-Up..... 80
Model D31S-18.....	Model Ser. No. 40001-Up.....	38	Model D41E-6.....	Model Ser. No. B20001-Up..... 56
Model D32E-1.....	From Model Ser. No. 75501 to 75717.....	13	Model D41E-6K.....	Model Ser. No. 50001-Up..... 53
Model D32E-1.....	Model Ser. No. 75718-Up.....	12	Model D41E-6K.....	Model Ser. No. 50001-Up..... 54
Model D32E-1A.....	Model Ser. No. 76093-Up.....	12	Model D41E-6K-B.....	Model Ser. No. 50001-Up..... 54
Model D32P-1.....	From Model Ser. No. 75501 to 75717.....	13	Model D41E-6K-B.....	Model Ser. No. 50001-Up..... 55
Model D32P-1.....	Model Ser. No. 75718-Up.....	12	Model D41P-3.....	Model Ser. No. 6001-Up..... 79
Model D32P-1A.....	Model Ser. No. 76093-Up.....	12	Model D41P-3.....	Model Ser. No. 6001-Up..... 80
Model D355A-3.....		142	Model D41P-6.....	Model Ser. No. B20001-Up..... 56
Model D355A-3.....		143	Model D41Q-3.....	Model Ser. No. 6001-Up..... 79
Model D355A-5.....		143	Model D41Q-3.....	Model Ser. No. 6001-Up..... 80
Model D37E-2.....	From Model Ser. No. 1501 to 2500.....	38	Model D41S-3.....	Model Ser. No. 6001-Up..... 79
Model D37E-2.....	Model Ser. No. 2501-Up.....	39	Model D41S-3.....	Model Ser. No. 6001-Up..... 80
Model D37E-5.....	Model Ser. No. 1606-Up.....	39	Model D45A-1.....	Model Ser. No. 1501-Up..... 32
Model D37E-5.....	Model Ser. No. 1606-Up & A1924-Up.....	14	Model D45A-1.....	Model Ser. No. 1501-Up..... 33
Model D37E-5.....	Model Ser. No. A1924-Up.....	39	Model D45P-1.....	Model Ser. No. 1501-Up..... 32
Model D37EX-21.....	Model Ser. No. 50001-Up.....	16	Model D45P-1.....	Model Ser. No. 1501-Up..... 34
Model D37P-2.....	From Model Ser. No. 1501 to 2500.....	38	Model D45S-1.....	Model Ser. No. 1501-Up..... 32
Model D37P-2.....	Model Ser. No. 2501-Up.....	39	Model D45S-1.....	Model Ser. No. 1501-Up..... 33
Model D37P-5A.....	Model Ser. No. 1543-Up.....	14	Model D50A-17.....	Model Ser. No. 60001-Up..... 111
Model D37P-5A.....	Model Ser. No. 1543-Up.....	39	Model D50P-17.....	Model Ser. No. 60001-Up..... 111
Model D37PX-21.....	Model Ser. No. 50001-Up.....	16	Model D50PL-17.....	Model Ser. No. 60001-Up..... 111
Model D38E-1.....	From Model Ser. No. 85501 to 85798.....	11	Model D53A-17.....	Model Ser. No. 80001-Up..... 111
Model D38E-1.....	Model Ser. No. 85799-Up.....	15	Model D53A-17.....	Model Ser. No. 80001-Up..... 112
Model D38E-1A.....	Model Ser. No. 86239-Up.....	15	Model D53P-17.....	Model Ser. No. 80001-Up..... 111
Model D38P-1.....	From Model Ser. No. 85501 to 85798.....	11	Model D53P-17.....	Model Ser. No. 80001-Up..... 112
Model D38P-1.....	Model Ser. No. 85799-Up.....	15	Model D58E-1.....	Model Ser. No. 80888-Up..... 111
Model D38P-1A.....	Model Ser. No. 86239-Up.....	15	Model D58E-1.....	Model Ser. No. 80888-Up..... 112
Model D39E-1.....	From Model Ser. No. 95501 to 95871.....	11	Model D58E-1B.....	Model Ser. No. 80888-Up..... 111
Model D39E-1.....	Model Ser. No. 95872-Up.....	15	Model D58E-1B.....	Model Ser. No. 80888-Up..... 112
Model D39E-1A.....	Model Ser. No. 96338-Up.....	15	Model D58P-1.....	Model Ser. No. 80588-Up..... 111
Model D39EX-21.....	Model Ser. No. 1001-Up.....	16	Model D58P-1.....	Model Ser. No. 80588-Up..... 112
Model D39P-1.....	From Model Ser. No. 95501 to 95871.....	11	Model D58P-1B.....	Model Ser. No. 80588-Up..... 111
Model D39P-1.....	Model Ser. No. 95872-Up.....	15	Model D58P-1B.....	Model Ser. No. 80588-Up..... 112
Model D39P-1A.....	Model Ser. No. 96338-Up.....	15	Model D60A-8.....	Model Ser. No. 45001-Up..... 111
Model D39PX-21.....	Model Ser. No. 1001-Up.....	16	Model D60A-8A.....	Model Ser. No. 45001-Up..... 117
Model D40A-1.....	Model Ser. No. 1501-Up.....	32	Model D60F-8.....	Model Ser. No. 45001-Up..... 117
			Model D60P-8.....	Model Ser. No. 45001-Up..... 111
			Model D60S-8.....	Model Ser. No. 45001-Up..... 111
			Model D61E-12.....	Model Ser. No. 1001-Up..... 95
			Model D61EX-12.....	Model Ser. No. 1001-Up..... 95
			Model D61P-12.....	Model Ser. No. 1001-Up..... 95
			Model D61PX-12.....	Model Ser. No. 1001-Up..... 95
			Model D65A-8.....	Model Ser. No. 45001-Up..... 111
			Model D65E-12.....	From Model Ser. No. 60001 to 60941..... 111

Model Index

Model	Line No.	Model	Line No.		
Model D65E-12.....	Model Ser. No. 60942-Up.....	112	Model GD605A-3.....	Model Ser. No. 54001-Up.....	136
Model D65E-8.....	Model Ser. No. 45001-Up.....	111	Model GD605A-3US.....	Model Ser. No. 57001-Up.....	136
Model D65EX-12.....	From Model Ser. No. 60001 to		Model GD611A-1.....	Model Ser. No. 10001-Up.....	89
	60941.....	114	Model GD621A-1.....	Model Ser. No. 10001-Up.....	89
Model D65EX-12.....	Model Ser. No. 60942-Up.....	118	Model GD621R-1.....	Model Ser. No. 10001-Up.....	89
Model D65EX-12-E.....	Model Ser. No. 60942-Up.....	123	Model GD623A-1.....	Model Ser. No. 30001-Up.....	136
Model D65P-12.....	From Model Ser. No. 60001 to		Model GD625A-1.....	Model Ser. No. 50001-Up.....	136
	60883.....	114	Model GD625A-1C.....	Model Ser. No. 60001-Up.....	136
Model D65P-12.....	Model Ser. No. 60884-Up.....	118	Model GD650A.....	From Model Ser. No. 200840 to	
Model D65P-12-E.....	Model Ser. No. 60884-Up.....	123		201999.....	100
Model D65P-8.....	Model Ser. No. 45001-Up.....	111	Model GD650A.....	Model Ser. No. 202002-Up.....	100
Model D65PX-12.....	From Model Ser. No. 60001 to		Model GD650A.....	Model Ser. No. 202002-Up.....	101
	60883.....	114	Model GD650A.....	Model Ser. No. 210098-Up.....	101
Model D65PX-12.....	Model Ser. No. 60884-Up.....	118	Model GD650A-2.....	Model Ser. No. 202001-Up.....	100
Model D65PX-12-E.....	Model Ser. No. 60884-Up.....	123	Model GD650AW-1.....	From Model Ser. No. 200840 to	
Model D65S-8.....	Model Ser. No. 45001-Up.....	111		201999.....	100
Model D68E-1.....	Model Ser. No. 1001-Up.....	111	Model GD650AW-2A.....	Model Ser. No. 202002-Up.....	100
Model D68P-1.....	Model Ser. No. 45590-Up.....	111	Model GD650AW-2B.....	Model Ser. No. 202002-Up.....	100
Model D70LE.....	Model Ser. No. 45200-Up.....	111	Model GD650AW-2B.....	Model Ser. No. 202002-Up.....	101
Model D70LE-12.....	Model Ser. No. 60001-Up.....	111	Model GD650AW-2B.....	Model Ser. No. 210098-Up.....	101
Model D75A-1.....	Model Ser. No. 50001-Up.....	115	Model GD650AW-2C.....	Model Ser. No. 202002-Up.....	100
Model D75S-5.....	Model Ser. No. 15001-Up.....	113	Model GD650AW-2C.....	Model Ser. No. 202002-Up.....	101
Model D75S-5.....	Model Ser. No. 15001-Up.....	117	Model GD650AW-2EY.....	Model Ser. No. 210098-Up.....	101
Model D75S-5.....	Model Ser. No. 15001-Up.....	118	Model GD655-3A.....	Model Ser. No. 10001-Up.....	102
Model D83E-1.....	Model Ser. No. 1001-Up.....	116	Model GD655-3C.....	Model Ser. No. 50001-Up.....	102
Model D83P-1.....	Model Ser. No. 1001-Up.....	116	Model GD655-3C-VH.....	Model Ser. No. 50001-Up.....	102
Model D85A-21.....	From Model Ser. No. 35001 to		Model GD655A-3.....	Model Ser. No. 64001-Up.....	136
	36533.....	116	Model GD655A-5.....	Model Ser. No. 65001-Up.....	92
Model D85A-21B.....	From Model Ser. No. 35001 to		Model GD661A-1.....	Model Ser. No. 10001-Up.....	92
	36533.....	116	Model GD670A.....	Model Ser. No. 200840-Up.....	100
Model D85A-21B.....	Model Ser. No. 36537-Up.....	121	Model GD670A.....	Model Ser. No. 202002-Up.....	101
Model D85A-21E.....	Model Ser. No. 36537-Up.....	121	Model GD670A.....	Model Ser. No. 210098-Up.....	101
Model D85C-21A.....	Model Ser. No. 36551-Up.....	120	Model GD670AW-1.....	From Model Ser. No. 200840 to	
Model D85C-21D.....	Model Ser. No. 36551-Up.....	120		201999.....	100
Model D85E-21.....	From Model Ser. No. 35001 to		Model GD670AW-2B.....	Model Ser. No. 202002-Up.....	100
	36533.....	116	Model GD670AW-2B.....	Model Ser. No. 202002-Up.....	101
Model D85E-21E.....	Model Ser. No. 36534-Up.....	120	Model GD670AW-2B.....	Model Ser. No. 210098-Up.....	101
Model D85EX-15.....	Model Ser. No. 10001-Up.....	123	Model GD670AW-2C.....	Model Ser. No. 202002-Up.....	100
Model D85P-21.....	From Model Ser. No. 3001 to		Model GD670AW-2C.....	Model Ser. No. 202002-Up.....	101
	3688.....	116	Model GD670AW-2EY.....	Model Ser. No. 210098-Up.....	101
Model D85P-21E.....	Model Ser. No. 3689-Up.....	120	Model GD675-3A.....	Model Ser. No. 10001-Up.....	102
Model D87E-2.....	Model Ser. No. P090001-Up.....	119	Model GD675-3C.....	Model Ser. No. 50001-Up.....	102
Model D87P-2.....	Model Ser. No. P092001-Up.....	120	Model GD705A-4.....	Model Ser. No. 21001-Up.....	137
Model GD300A.....	Model Ser. No. 2001-Up.....	37	Model GD705A-4R.....	Model Ser. No. 21001-Up.....	137
Model GD305A-1A.....	Model Ser. No. 6734-Up.....	47	Model GD725A-1.....	Model Ser. No. 50001-Up.....	137
Model GD405A-1.....	Model Ser. No. 16877-Up.....	86	Model HA250-1.....	Model Ser. No. 60636-Up.....	125
Model GD505A-2.....	Model Ser. No. 50003-Up.....	88	Model HA250-3.....	Model Ser. No. 303001-Up.....	125
Model GD505A-2.....	Model Ser. No. 50003-Up.....	90	Model HA270-1.....	Model Ser. No. 65226-Up.....	125
Model GD510R-1.....	Model Ser. No. 15001-Up.....	48	Model HA270-3.....	Model Ser. No. 313001-Up.....	125
Model GD511A-1.....	Model Ser. No. 10001-Up.....	48	Model HD205-3.....	Model Ser. No. 1003-Up.....	124
Model GD515A-1.....	Model Ser. No. 50001-Up.....	89	Model HD255-5.....	Model Ser. No. 1001-Up.....	126
Model GD521A-1E.....	Model Ser. No. 12001-Up.....	72	Model HM300-1.....	Model Ser. No. 1001-Up.....	127
Model GD525A-1.....	Model Ser. No. 50001-Up.....	89	Model PC100-1.....	Model Ser. No. 10001-Up.....	35
Model GD525A-1B.....	Model Ser. No. 50001-Up.....	89	Model PC100-1.....	Model Ser. No. 10001-Up.....	36
Model GD525A-1C.....	Model Ser. No. 60001-Up.....	91	Model PC100-2.....	From Model Ser. No. 13001 to	
Model GD530A-1.....	From Model Ser. No. 200840 to			18000.....	35
	201999.....	71	Model PC100-2.....	From Model Ser. No. 13001 to	
Model GD530A-1E.....	Model Ser. No. 201404-Up.....	70		18000.....	36
Model GD530A-2A.....	Model Ser. No. 202002-Up.....	70	Model PC100-3.....	Model Ser. No. 18001-Up.....	40
Model GD530A-2B.....	Model Ser. No. 202002-Up.....	70	Model PC100-5.....	Model Ser. No. 28001-Up.....	7
Model GD530A-2B.....	Model Ser. No. 203163-Up.....	73	Model PC100-5C.....	Model Ser. No. 28001-Up.....	7
Model GD530A-2C.....	Model Ser. No. 202002-Up.....	70	Model PC100-6.....	Model Ser. No. 40001-Up.....	8
Model GD530A-2C.....	Model Ser. No. 203163-Up.....	73	Model PC100-6.....	Model Ser. No. 40001-Up.....	17
Model GD530AW-1.....	From Model Ser. No. 200840 to		Model PC100-6Z.....	Model Ser. No. 40001-Up.....	8
	201999.....	71	Model PC100-6Z.....	Model Ser. No. 40001-Up.....	17
Model GD530AW-2A.....	Model Ser. No. 202002-Up.....	70	Model PC100L-3.....	Model Ser. No. 12001-Up.....	40
Model GD530AW-2B.....	Model Ser. No. 202002-Up.....	70	Model PC100L-6.....	Model Ser. No. 15001-Up.....	8
Model GD530AW-2B.....	Model Ser. No. 203163-Up.....	73	Model PC100L-6.....	Model Ser. No. 15001-Up.....	17
Model GD530AW-2C.....	Model Ser. No. 202002-Up.....	70	Model PC120-2.....	From Model Ser. No. 13001 to	
Model GD530AW-2C.....	Model Ser. No. 203163-Up.....	73		18000.....	35
Model GD555-3A.....	Model Ser. No. 10001-Up.....	74	Model PC120-2.....	Model Ser. No. 14001-Up.....	36
Model GD555-3C.....	Model Ser. No. 10001-Up.....	74	Model PC120-3.....	Model Ser. No. 18001-Up.....	40
Model GD600R-3.....	Model Ser. No. 14001-Up.....	136	Model PC120-5.....	Model Ser. No. 30001-Up.....	7

(continued on next page)

Model Index

Model	Line No.	Model	Line No.
Model PC120-5.....	Model Ser. No. A40001-Up 7	Model PC200LC-5.....	From Model Ser. No. A47282 to A70000 43
Model PC120-5C.....	Model Ser. No. 36601-Up..... 7	Model PC200LC-5.....	Model Ser. No. 45001-Up..... 43
Model PC120-5M.....	Model Ser. No. 36601-Up..... 7	Model PC200LC-5.....	Model Ser. No. A70001-Up..... 44
Model PC120-5Z.....	Model Ser. No. 36601-Up..... 7	Model PC200LC-6.....	Model Ser. No. 80001-Up..... 42
Model PC120-6.....	Model Ser. No. 45001-Up..... 8	Model PC200LC-6.....	Model Ser. No. 80001-Up..... 60
Model PC120-6.....	Model Ser. No. 45001-Up..... 17	Model PC200LC-6.....	Model Ser. No. A80001-Up..... 45
Model PC120-6Z.....	Model Ser. No. 45001-Up..... 8	Model PC200LC-6.....	Model Ser. No. A82001-Up..... 57
Model PC120-6Z.....	Model Ser. No. 45001-Up..... 17	Model PC200LC-6.....	Model Ser. No. A83001-Up..... 61
Model PC128US-1.....	Model Ser. No. 1001-Up..... 17	Model PC200LC-6A.....	Model Ser. No. 80001-Up..... 42
Model PC128US-2.....	Model Ser. No. 5001-Up..... 17	Model PC200LC-6H.....	Model Ser. No. 80001-Up..... 42
Model PC128UU-1.....	Model Ser. No. 1001-Up..... 17	Model PC200LC-6H.....	Model Ser. No. 80001-Up..... 60
Model PC128UU-2.....	Model Ser. No. 5001-Up..... 17	Model PC200LC-6H-A.....	Model Ser. No. 80001-Up..... 42
Model PC130-5.....	Model Ser. No. 36601-Up..... 7	Model PC200LC-6Z.....	Model Ser. No. 80001-Up..... 42
Model PC130-6.....	Model Ser. No. 45001-Up..... 8	Model PC200LC-6Z.....	Model Ser. No. 80001-Up..... 46
Model PC130-6K.....	Model Ser. No. K30001-Up..... 17	Model PC200LC-6Z.....	Model Ser. No. 80001-Up..... 60
Model PC138USLC-2.....	Model Ser. No. 1001-Up..... 17	Model PC200LC-7-US.....	Model Ser. No. 200001-Up..... 69
Model PC150-1.....	Model Ser. No. 1001-Up..... 81	Model PC200LC-7-W1.....	Model Ser. No. 200001-Up..... 69
Model PC150-3.....	Model Ser. No. 3001-Up..... 41	Model PC200LC-7B.....	Model Ser. No. C50001-Up..... 69
Model PC150-5.....	Model Ser. No. 6001-Up..... 43	Model PC200LC-7L.....	Model Ser. No. A86001-Up..... 69
Model PC150-5.....	Model Ser. No. A7001-Up..... 43	Model PC200LL-6.....	Model Ser. No. A85001-Up..... 61
Model PC150-6K.....	Model Ser. No. K30001-Up..... 21	Model PC200Z-6LE.....	Model Ser. No. A83001-Up..... 58
Model PC150LC-1.....	Model Ser. No. 1001-Up..... 81	Model PC210-3.....	Model Ser. No. K10001-Up..... 85
Model PC150LC-3.....	Model Ser. No. 3001-Up..... 41	Model PC210-6.....	Model Ser. No. 30001-Up..... 42
Model PC150LC-5.....	Model Ser. No. 6001-Up..... 43	Model PC210-6.....	Model Ser. No. 30001-Up..... 46
Model PC150LC-5.....	Model Ser. No. A7001-Up..... 43	Model PC210-6.....	Model Ser. No. 30001-Up..... 60
Model PC150LC-6K.....	Model Ser. No. K30001-Up..... 21	Model PC210-6K.....	Model Ser. No. K30001-Up..... 59
Model PC150LGP-6K.....	Model Ser. No. K35001-Up..... 20	Model PC210-6K.....	Model Ser. No. K30001-Up..... 61
Model PC158USEL-2.....	Model Ser. No. 10001-Up..... 17	Model PC210-7K.....	Model Ser. No. K40001-Up..... 69
Model PC158USLC-2-WI.....	Model Ser. No. 10001-Up..... 17	Model PC210LC-3.....	Model Ser. No. K10001-Up..... 85
Model PC160-6K.....	Model Ser. No. K30001-Up..... 21	Model PC210LC-6.....	Model Ser. No. A80001-Up..... 45
Model PC160LC-7.....	Model Ser. No. 10001-Up..... 23	Model PC210LC-6.....	Model Ser. No. A82001-Up..... 57
Model PC180LC-3.....	Model Ser. No. 1001-Up..... 41	Model PC210LC-6.....	Model Ser. No. A83001-Up..... 61
Model PC180LC-3K.....	Model Ser. No. 1001-Up..... 41	Model PC210LC-6K.....	Model Ser. No. K30001-Up..... 59
Model PC180LC-6K.....	Model Ser. No. K30001-Up..... 21	Model PC210LC-6K.....	Model Ser. No. K30001-Up..... 61
Model PC180LLC-3.....	Model Ser. No. 1001-Up..... 41	Model PC210LC-7K.....	Model Ser. No. K40001-Up..... 69
Model PC180LLC-3K.....	Model Ser. No. 1001-Up..... 41	Model PC210NLC-7K.....	Model Ser. No. K40001-Up..... 69
Model PC180NLC-3K.....	Model Ser. No. 1001-Up..... 41	Model PC220-2.....	Model Ser. No. 11001-Up..... 83
Model PC180NLC-3K.....	Model Ser. No. 1001-Up..... 41	Model PC220-2.....	Model Ser. No. 11001-Up..... 84
Model PC180NLC-6K.....	Model Ser. No. K30001-Up..... 21	Model PC220-3.....	Model Ser. No. 20001-Up..... 85
Model PC200-1.....	Model Ser. No. 10001-Up..... 81	Model PC220-5.....	Model Ser. No. 35001-Up..... 44
Model PC200-1.....	Model Ser. No. 10001-Up..... 82	Model PC220-5C.....	Model Ser. No. 35001-Up..... 44
Model PC200-2.....	Model Ser. No. 15001-Up..... 81	Model PC220-6.....	Model Ser. No. 50001-Up..... 45
Model PC200-2.....	Model Ser. No. 15001-Up..... 82	Model PC220-6.....	Model Ser. No. 50001-Up..... 46
Model PC200-3.....	Model Ser. No. 20001-Up..... 85	Model PC220-6.....	Model Ser. No. 50001-Up..... 66
Model PC200-5.....	From Model Ser. No. A47282 to A70000 43	Model PC220-6Z.....	Model Ser. No. 50001-Up..... 45
Model PC200-5.....	Model Ser. No. 45001-Up..... 43	Model PC220-6Z.....	Model Ser. No. 50001-Up..... 46
Model PC200-5.....	Model Ser. No. A70001-Up..... 44	Model PC220-6Z.....	Model Ser. No. 50001-Up..... 66
Model PC200-5C.....	Model Ser. No. 45001-Up..... 43	Model PC220-7-W1.....	Model Ser. No. 60001-Up..... 69
Model PC200-5T.....	Model Ser. No. 58019-Up..... 43	Model PC220LC-2.....	Model Ser. No. 11001-Up..... 83
Model PC200-5Z.....	Model Ser. No. 45001-Up..... 43	Model PC220LC-2.....	Model Ser. No. 11001-Up..... 84
Model PC200-6.....	Model Ser. No. 80001-Up..... 42	Model PC220LC-3.....	Model Ser. No. 20001-Up..... 85
Model PC200-6.....	Model Ser. No. 80001-Up..... 60	Model PC220LC-5.....	From Model Ser. No. A35401 to A70000 44
Model PC200-6.....	Model Ser. No. A80001-Up..... 45	Model PC220LC-5.....	Model Ser. No. 35001-Up..... 44
Model PC200-6.....	Model Ser. No. A82001-Up..... 57	Model PC220LC-5C.....	From Model Ser. No. A35401 to A70000 44
Model PC200-6A.....	Model Ser. No. 80001-Up..... 42	Model PC220LC-5C.....	Model Ser. No. 35001-Up..... 44
Model PC200-6A.....	Model Ser. No. 80001-Up..... 60	Model PC220LC-6.....	Model Ser. No. 50001-Up..... 45
Model PC200-6B.....	Model Ser. No. C10001-Up..... 60	Model PC220LC-6.....	Model Ser. No. 50001-Up..... 46
Model PC200-6H-A.....	Model Ser. No. 80001-Up..... 42	Model PC220LC-6.....	Model Ser. No. 50001-Up..... 66
Model PC200-6H-A.....	Model Ser. No. 80001-Up..... 60	Model PC220LC-6.....	Model Ser. No. A80001-Up..... 45
Model PC200-6Z.....	Model Ser. No. 80001-Up..... 42	Model PC220LC-6.....	Model Ser. No. A82001-Up..... 63
Model PC200-6Z.....	Model Ser. No. 80001-Up..... 46	Model PC220LC-6.....	Model Ser. No. A83001-Up..... 68
Model PC200-6Z.....	Model Ser. No. 80001-Up..... 60	Model PC220LC-6Z.....	Model Ser. No. 50001-Up..... 45
Model PC200-7-W1.....	Model Ser. No. 200001-Up..... 69	Model PC220LC-6Z.....	Model Ser. No. 50001-Up..... 46
Model PC200CA-6.....	Model Ser. No. T10001-Up..... 60	Model PC220LC-6Z.....	Model Ser. No. 50001-Up..... 66
Model PC200CA-6-C1.....	Model Ser. No. T10001-Up..... 60	Model PC220LC-7.....	Model Ser. No. 60001-Up..... 69
Model PC200CA-6-U1.....	Model Ser. No. T10001-Up..... 60	Model PC220LC-7-W1.....	Model Ser. No. 60001-Up..... 69
Model PC200EL-6K.....	Model Ser. No. K30001-Up..... 61	Model PC220LC-7L.....	Model Ser. No. A86001-Up..... 69
Model PC200EN-6K.....	Model Ser. No. K30001-Up..... 61	Model PC220LL-6.....	Model Ser. No. A83001-Up..... 67
Model PC200LC-2.....	Model Ser. No. 15001-Up..... 82	Model PC220NLC-3.....	Model Ser. No. 20001-Up..... 85
Model PC200LC-2.....	Model Ser. No. 15001-Up..... 82	Model PC228US-1T.....	Model Ser. No. 11001-Up..... 60
Model PC200LC-3.....	Model Ser. No. 20001-Up..... 85		

Model Index

Model	Line No.	Model	Line No.		
Model PC228US-2-KJ	Model Ser. No. 15001-Up	60	Model PC400-5A	Model Ser. No. 10351-Up	130
Model PC228US-2-US	Model Ser. No. 15001-Up	60	Model PC400-5C	Model Ser. No. 10351-Up	130
Model PC228US-3-KU	Model Ser. No. 20001-Up	69	Model PC400-5T	Model Ser. No. 10351-Up	130
Model PC228US-3-W1	Model Ser. No. 20001-Up	69	Model PC400-6	Model Ser. No. 30001-Up	132
Model PC228USLC-1	Model Ser. No. 11001-Up	60	Model PC400-6-T2	Model Ser. No. 30001-Up	134
Model PC228USLC-2	Model Ser. No. 15001-Up	60	Model PC400-6C	Model Ser. No. 30001-Up	132
Model PC228USLC-3	Model Ser. No. 20001-Up	69	Model PC400-6Z	Model Ser. No. 30001-Up	132
Model PC228UU-1-NZ	Model Ser. No. 11001-Up	60	Model PC400HD-5K	Model Ser. No. 21001-Up	130
Model PC230-6	Model Ser. No. 10001-Up	45	Model PC400HD-6	Model Ser. No. A83001-Up	131
Model PC230-6	Model Ser. No. 10001-Up	46	Model PC400HD-6LK	From Model Ser. No. A84001 to A85000	131
Model PC230-6	Model Ser. No. 10001-Up	66	Model PC400LC-3	Model Ser. No. 11001-Up	130
Model PC230LC-6	Model Ser. No. 10001-Up	45	Model PC400LC-5	Model Ser. No. 10351-Up	130
Model PC230LC-6	Model Ser. No. 10001-Up	46	Model PC400LC-5	Model Ser. No. A20109-Up	130
Model PC230LC-6	Model Ser. No. 10001-Up	66	Model PC400LC-5A	Model Ser. No. 10351-Up	130
Model PC240-3K	Model Ser. No. K10001-Up	85	Model PC400LC-5T	Model Ser. No. 10351-Up	130
Model PC240-6K	Model Ser. No. K30001-Up	61	Model PC400LC-5T	Model Ser. No. A20109-Up	130
Model PC240-6K	Model Ser. No. K30001-Up	62	Model PC400LC-6	Model Ser. No. 30001-Up	133
Model PC240LC-3K	Model Ser. No. K10001-Up	85	Model PC400LC-6	Model Ser. No. A83001-Up	131
Model PC240LC-6K	Model Ser. No. K30001-Up	61	Model PC400LC-6-T2	Model Ser. No. 30001-Up	135
Model PC240LC-6K	Model Ser. No. K30001-Up	62	Model PC400LC-6LK	From Model Ser. No. A84001 to A85000	131
Model PC240LC-7K	Model Ser. No. K40001-Up	69	Model PC400LC-6Z	Model Ser. No. 30001-Up	133
Model PC240NLC-3K	Model Ser. No. K10001-Up	85	Model PC410-5	Model Ser. No. 10001-Up	130
Model PC240NLC-6K	Model Ser. No. K30001-Up	61	Model PC410LC-5	Model Ser. No. 10001-Up	130
Model PC240NLC-6K	Model Ser. No. K30001-Up	62	Model PC450-6-A1	Model Ser. No. 10001-Up	133
Model PC240NLC-7K	Model Ser. No. K40001-Up	69	Model PC450-6-T2	Model Ser. No. 10001-Up	135
Model PC250-6	Model Ser. No. 10001-Up	66	Model PC450-6K-J	Model Ser. No. 10001-Up	133
Model PC250HD-6Z	Model Ser. No. 10001-Up	66	Model PC450-6K-KE	Model Ser. No. 32106-Up	133
Model PC250LC-6	Model Ser. No. 10001-Up	66	Model PC450LC-6-A1	Model Ser. No. 10001-Up	133
Model PC250LC-6	Model Ser. No. A80001-Up	45	Model PC450LC-6-T2	Model Ser. No. 10001-Up	135
Model PC250LC-6	Model Ser. No. A82001-Up	63	Model PC450LC-6K-J	Model Ser. No. 10001-Up	133
Model PC250LC-6	Model Ser. No. A83001-Up	67	Model PC450LC-6K-KE	Model Ser. No. 32106-Up	133
Model PC270LC-6	Model Ser. No. A83001-Up	65	Model PC60-3	Model Ser. No. 18001-Up	3
Model PC270LC-7	Model Ser. No. A86001-Up	69	Model PC60-5	Model Ser. No. 20501-Up	3
Model PC270LC-7L	Model Ser. No. A86001-Up	69	Model PC60-6	Model Ser. No. 28001-Up	4
Model PC270LC-7MH	Model Ser. No. A86001-Up	69	Model PC60-7	Model Ser. No. 45001-Up	5
Model PC290LC-6K	Model Ser. No. K30001-Up	64	Model PC60-7	Model Ser. No. 45001-Up	6
Model PC290LC-7K	Model Ser. No. K40001-Up	69	Model PC60-7	Model Ser. No. 45001-Up	18
Model PC290NLC-6K	Model Ser. No. K30001-Up	64	Model PC60-7B	Model Ser. No. 45001-Up	5
Model PC290NLC-7K	Model Ser. No. K40001-Up	69	Model PC60-7B	Model Ser. No. 45001-Up	6
Model PC300-3	Model Ser. No. 12001-Up	129	Model PC60-7B	Model Ser. No. 45001-Up	18
Model PC300-3	Model Ser. No. 12001-Up	130	Model PC60L-5	Model Ser. No. 7501-Up	3
Model PC300-3	Model Ser. No. A14398-Up	130	Model PC60L-6	Model Ser. No. 8001-Up	4
Model PC300-7-W1	Model Ser. No. 40001-Up	99	Model PC60U-5	Model Ser. No. 4501-Up	3
Model PC300HD-6LC	From Model Ser. No. A80001 to A83000	97	Model PC70-6	Model Ser. No. 34101-Up	4
Model PC300HD-6LE	From Model Ser. No. A83001 to A84000	97	Model PC75UU-1	Model Ser. No. 1001-Up	3
Model PC300HD-6LE	Model Ser. No. A84001-Up	98	Model PC75UU-2	Model Ser. No. 5001-Up	5
Model PC300HD-7	Model Ser. No. 40001-Up	99	Model PC75UU-3	Model Ser. No. 15001-Up	6
Model PC300HD-7L	Model Ser. No. A85001-Up	99	Model PC78MR-6-N	Model Ser. No. 1001-Up	9
Model PC300LC-3	Model Ser. No. 12001-Up	129	Model PC78US-5	Model Ser. No. 1001-Up	6
Model PC300LC-3	Model Ser. No. 12001-Up	130	Model PC78US-5-NA	Model Ser. No. 1001-Up	6
Model PC300LC-3	Model Ser. No. A14398-Up	129	Model PC78US-6-N	Model Ser. No. 4001-Up	6
Model PC300LC-3	Model Ser. No. A14398-Up	130	Model PC78US-6-N	Model Ser. No. 4001-Up	9
Model PC300LC-5	Model Ser. No. A30001-Up	96	Model PC80-3	Model Ser. No. 2001-Up	3
Model PC300LC-6	From Model Ser. No. A80001 to A84000	97	Model PC90-1	Model Ser. No. 1001-Up	4
Model PC300LC-6LE	Model Ser. No. A84001-Up	98	Model PF55L-1	Model Ser. No. 10001-Up	85
Model PC300LC-7	Model Ser. No. 40001-Up	99	Model PW100-1	Model Ser. No. 1003-Up	35
Model PC300LC-7-W1	Model Ser. No. 40001-Up	99	Model PW100-1	Model Ser. No. 1003-Up	36
Model PC300LC-7L	Model Ser. No. A85001-Up	99	Model PW100-3	From Model Ser. No. 1601 to 2300	41
Model PC300LL-6	Model Ser. No. A84001-Up	97	Model PW100-3	Model Ser. No. 2301-Up	41
Model PC340-6K	Model Ser. No. K30001-Up	97	Model PW130-6K	Model Ser. No. K30001-Up	8
Model PC340LC-6K	Model Ser. No. K30001-Up	97	Model PW130ES-6K	Model Ser. No. K30545-Up	19
Model PC340LC-7K	Model Ser. No. K40001-Up	99	Model PW150-1	Model Ser. No. 1001-Up	40
Model PC340NLC-6K	Model Ser. No. K30001-Up	97	Model PW150ES-6K	Model Ser. No. K30001-Up	21
Model PC350-7-W1	Model Ser. No. 20001-Up	99	Model PW170ES-6K	Model Ser. No. K30001-Up	22
Model PC350LC-7-W1	Model Ser. No. 20001-Up	99	Model PW170ES-6K-KA	Model Ser. No. K30001-Up	22
Model PC360LC-3	Model Ser. No. 10001-Up	129	Model PW200-7K	Model Ser. No. K40001-Up	69
Model PC360LC-3	Model Ser. No. 10001-Up	130	Model PW210-1	Model Ser. No. 10001-Up	85
Model PC380LC-6K	Model Ser. No. K30001-Up	97	Model PW400MH-6	Model Ser. No. A84210-Up	128
Model PC400-3	Model Ser. No. 11001-Up	130	Model PW60-3	Model Ser. No. 2001-Up	3
Model PC400-5	Model Ser. No. 20001-Up	130	Model WA100-1	Model Ser. No. 10001-Up	49

(continued on next page)

Model Index					
Model	Line No.	Model	Line No.		
Model WA100-3	Model Ser. No. 10001-Up	49	Model WA300-1A	Model Ser. No. 10001-Up	94
Model WA120-1	Model Ser. No. 10001-Up	49	Model WA300L-3	Model Ser. No. 53001-Up	78
Model WA120-1LC	Model Ser. No. A20001-Up	24	Model WA320-1	Model Ser. No. 10001-Up	94
Model WA120-3	From Model Ser. No. 50001 to 52999	50	Model WA320-1LC	Model Ser. No. A25001-Up	103
Model WA120-3 Avance			Model WA320-1R	Model Ser. No. 10001-Up	94
Plus	Model Ser. No. A31001-Up	26	Model WA320-3 Avance		
Model WA120-3L	Model Ser. No. A30001-Up	26	Custom	Model Ser. No. 53001-Up	78
Model WA120L-3	Model Ser. No. 54001-Up	25	Model WA320-3 Avance		
Model WA150-1	Model Ser. No. 10001-Up	51	Plus	Model Ser. No. A31001-Up	107
Model WA150-1A	Model Ser. No. 10001-Up	51	Model WA320-3CS	Model Ser. No. 50001-Up	78
Model WA180-1	Model Ser. No. 10001-Up	51	Model WA320-3DZ	Model Ser. No. 50001-Up	78
Model WA180-1	Model Ser. No. A10375-Up	51	Model WA320-3H Active	Model Ser. No. A2561-Up	108
Model WA180-1LC	Model Ser. No. A75001-Up	75	Model WA320-3H Active	Model Ser. No. 20561-Up	109
Model WA180-3	From Model Ser. No. 50001 to 52999	52	Model WA320-3L	Model Ser. No. A30001-Up	104
Model WA180-3	Model Ser. No. 53001-Up	76	Model WA380-1LC	Model Ser. No. A45001-Up	103
Model WA180-3 Avance			Model WA380-3 Avance		
Plus	Model Ser. No. A81001-Up	77	Plus	Model Ser. No. A51001-Up	107
Model WA180-3 Avance			Model WA380-3H Active	Model Ser. No. 20501-Up	108
Plus PTC	Model Ser. No. A85001-Up	77	Model WA380-3H Active	Model Ser. No. 20501-Up	109
Model WA180-3A	Model Ser. No. 53001-Up	76	Model WA380-3L	Model Ser. No. A50001-Up	107
Model WA180-3L	Model Ser. No. A80001-Up	77	Model WA380-5	Model Ser. No. 60001-Up	110
Model WA180-3X	From Model Ser. No. 50001 to 52999	52	Model WA380-5L	Model Ser. No. A52001-Up	110
Model WA180L-3	Model Ser. No. 54001-Up	76	Model WA380-5W	Model Ser. No. 60001-Up	110
Model WA180PT-3	Model Ser. No. 50001-Up	76	Model WA40-1	Model Ser. No. 1001-Up	10
Model WA200-1	Model Ser. No. 10001-Up	93	Model WA400-5	Model Ser. No. 70001-Up	110
Model WA200-1A	Model Ser. No. 10001-Up	93	Model WA400-5L	Model Ser. No. A40001-Up	110
Model WA250-1	Model Ser. No. 10001-Up	94	Model WA420-1LC	Model Ser. No. A25001-Up	103
Model WA250-1	Model Ser. No. A10509-Up	94	Model WA420-1LC	Model Ser. No. A25001-Up	105
Model WA250-1LC	Model Ser. No. A65001-Up	75	Model WA420-3 Avance		
Model WA250-3	From Model Ser. No. 50001 to 52999	52	Plus	Model Ser. No. A31001-Up	109
Model WA250-3 Avance			Model WA420-3CS	Model Ser. No. R50001-Up	106
Plus	Model Ser. No. A71001-Up	77	Model WA420-3H Active	Model Ser. No. 30297-Up	109
Model WA250-3 Avance			Model WA420-3L	Model Ser. No. A30001-Up	109
Plus PTC	Model Ser. No. A78001-Up	77	Model WA450-1	Model Ser. No. 10001-Up	138
Model WA250-3A	Model Ser. No. 53001-Up	76	Model WA450-1	Model Ser. No. A20038-Up	138
Model WA250-3L	Model Ser. No. A70001-Up	77	Model WA450-1A	Model Ser. No. 10001-Up	138
Model WA250-3L PTC	Model Ser. No. A75001-Up	77	Model WA450-1A	Model Ser. No. A20038-Up	138
Model WA250-3X	From Model Ser. No. 50001 to 52999	52	Model WA450-3	Model Ser. No. 53001-Up	140
Model WA250L-3	Model Ser. No. 53001-Up	77	Model WA450-3 Avance		
Model WA250L-3-KM	Model Ser. No. 53001-Up	76	Plus	Model Ser. No. A31001-Up	139
Model WA250PT-3	Model Ser. No. 50001-Up	76	Model WA450-3A-TW	Model Ser. No. 53001-Up	140
Model WA300-1	Model Ser. No. 10001-Up	94	Model WA450-3L	Model Ser. No. 53001-Up	138
			Model WA450-3LL	Model Ser. No. 50305-Up	138
			Model WA450-5L	Model Ser. No. A36001-Up	141
			Model WA450L-3	Model Ser. No. 53001-Up	140
			Model WA470-1	Model Ser. No. 10001-Up	138
			Model WA470-3	Model Ser. No. 53001-Up	138
			Model WA470-3H Active	Model Ser. No. 20942-Up	139
			Model WA470-3X	From Model Ser. No. 50001 to 52999	138
			Model WA470-5-W	Model Ser. No. 70001-Up	141
			Model WA470-5H	Model Ser. No. 50051-Up	141
			Model WA480-5-W	Model Ser. No. 80001-Up	141
			Model WA480-5L	Model Ser. No. A37001-Up	141
			Model WA70-1	Model Ser. No. 10001-Up	10

2.7L 164 OHV L4, 3.7402" Bore 1 Dozer

4D95S; Build Series W-1F; Eng. Ser. No. 23318-Up; Model D20P-6; Model Ser. No. 60001-Up
 4D95S; Build Series W-1F; Eng. Ser. No. 23318-Up; Model D20P-6A; Model Ser. No. 60001-Up
 4D95S; Build Series W-1F; Eng. Ser. No. 23318-Up; Model D20PL-6; Model Ser. No. 60001-Up
 4D95S; Build Series W-1F; Eng. Ser. No. 23318-Up; Model D20PLL-6; Model Ser. No. 60001-Up
 4D95S; Build Series W-1F; Eng. Ser. No. 23318-Up; Model D20Q-6; Model Ser. No. 60001-Up
 4D95S; Build Series W-1F; Eng. Ser. No. 23318-Up; Model D20S-6; Model Ser. No. 60001-Up
 4D95S; Build Series W-1G; Eng. Ser. No. 23318-Up; Model D21A-6; Model Ser. No. 60001-Up
 4D95S; Build Series W-1G; Eng. Ser. No. 23318-Up; Model D21E-6; Model Ser. No. 60001-Up
 4D95S; Build Series W-1G; Eng. Ser. No. 23318-Up; Model D21P-6; Model Ser. No. 60001-Up
 4D95S; Build Series W-1G; Eng. Ser. No. 23318-Up; Model D21P-6A; Model Ser. No. 60001-Up
 4D95S; Build Series W-1G; Eng. Ser. No. 23318-Up; Model D21P-6B; Model Ser. No. 60001-Up
 4D95S; Build Series W-1G; Eng. Ser. No. 23318-Up; Model D21PL-6; Model Ser. No. 60001-Up
 4D95S; Build Series W-1G; Eng. Ser. No. 23318-Up; Model D21S-6; Model Ser. No. 60001-Up
 4D95S; Build Series W-1G; Eng. Ser. No. 23318-Up; Model D21S-6A; Model Ser. No. 60001-Up

CAMSHAFT GROUP

QTY	CAMSHAFT/LIFTER	PART NO.	SIZE	DESCRIPTION
8	Lifter	FP-6204-41-2110		

COOLING SYSTEM

QTY	THERMOSTAT	PART NO.	SIZE	DESCRIPTION
1	O-Ring	FP-6140-11-6331		
1	Thermostat	FP-600-421-6120		
QTY	WATER PUMP	PART NO.	SIZE	DESCRIPTION
1	Water Pump - Heavy Duty	FP-6204-61-1304		

CRANKSHAFT/OIL PUMP

QTY	CRANKSHAFT	PART NO.	SIZE	DESCRIPTION
1	Crankshaft	FP-6202-31-1100		
QTY	MAIN BEARINGS	PART NO.	SIZE	DESCRIPTION
5	Main Bearing, Flanged	FP-6204-21-8100	STD	
5	Main Bearing, Flanged	FP-6204-29-8100	.25MM	
5	Main Bearing, Flanged	FP-6204-28-8100	.50MM	
5	Main Bearing, Flanged	FP-6204-27-8100	.75MM	
5	Main Bearing, Flanged	FP-6204-26-8100	1.00MM	
1	Thrust Washer	FP-6204-21-8600	STD	
1	Thrust Washer	FP-6204-29-8600	.25MM	
1	Thrust Washer	FP-6204-28-8600	.50MM	
1	Thrust Washer	FP-6204-27-8600	.75MM	
1	Thrust Washer	FP-6204-26-8600	1.00MM	
QTY	OIL PUMP	PART NO.	SIZE	DESCRIPTION
1	Oil Pump	FP-6204-51-1201		
QTY	SEALS - FRONT CRANK	PART NO.	SIZE	DESCRIPTION
1	Oil Seal	FP-6204-21-3510		
QTY	SEALS - REAR CRANK	PART NO.	SIZE	DESCRIPTION
1	Oil Seal	FP-6141-21-1332		

CYL. HEAD & PARTS

QTY	GASKETS	PART NO.	SIZE	DESCRIPTION
1	Head Gasket	FP-6204-11-1830		
1	Head Gasket Set	FP-6202-K1-9901		
1	Valve Cover Gasket	FP-6204-11-8810		
QTY	PUSH RODS	PART NO.	SIZE	DESCRIPTION
8	Push Rod	FP-6204-41-3110		
QTY	VALVE	PART NO.	SIZE	DESCRIPTION
16	Valve Keeper	FP-6204-41-4520		Int. & Exh.
4	Valve, Exhaust	FP-6204-41-4210		
4	Valve, Intake	FP-6207-41-4110		
QTY	VALVE GUIDE	PART NO.	SIZE	DESCRIPTION
8	Valve Guide	FP-6204-19-1310		
QTY	VALVE SEAL	PART NO.	SIZE	DESCRIPTION
8	Valve Stem Seal	FP-6204-41-4540		
QTY	VALVE SEAT	PART NO.	SIZE	DESCRIPTION
4	Valve Seat	FP-6204-11-1440		Exh.
4	Valve Seat	FP-6207-11-1430		Int.

(continued on next page)

1 2.7L 164 OHV L4, 3.7402" Bore				
(cont.)				
CYL. HEAD & PARTS (cont.)				
QTY	VALVE SPRING	PART NO.	SIZE	DESCRIPTION
8	Valve Spring	FP-6204-41-4410		
8	Valve Spring Seat	FP-6204-41-4510		Upper
CYLINDER COMPONENTS				
QTY	CONNECTING RODS & BRGS.	PART NO.	SIZE	DESCRIPTION
4	Connecting Rod Bearing Pair	FP-6207-31-3300		STD
4	Connecting Rod Bearing Pair	FP-6207-39-3300		.25MM
4	Connecting Rod Bearing Pair	FP-6207-38-3300		.50MM
4	Connecting Rod Bearing Pair	FP-6207-37-3300		.75MM
4	Connecting Rod Bearing Pair	FP-6207-36-3300		1.00MM
QTY	LINERS	PART NO.	SIZE	DESCRIPTION
4	Cylinder Kit Complete	FP-LK322140		
4	Liner w/o Sealing Ring	FP-6207-21-2121		
QTY	PISTON RINGS	PART NO.	SIZE	DESCRIPTION
4	Ring Set, Single Cylinder	FP-6202-32-2300		
QTY	PISTONS	PART NO.	SIZE	DESCRIPTION
4	Piston Body w/o Pin	FP-6202-32-2140		
4	Piston Pin	FP-6204-31-2410		
4	Piston Pin Bushing	FP-6204-31-3130		
8	Piston Pin Retainer	FP-04065-03012		
ENGINE BLOCK & PARTS				
QTY	CAM BEARINGS	PART NO.	SIZE	DESCRIPTION
2	Camshaft Bearing	FP-6206-21-1420		
1	Camshaft Bearing	FP-6206-21-1430		
QTY	GASKET SETS	PART NO.	SIZE	DESCRIPTION
1	Conversion Gasket Set	FP-6202-K2-0901		
QTY	GASKETS	PART NO.	SIZE	DESCRIPTION
1	Chemicals	FP-1816593		Oil pan; RTV Sealant
INT & EXH MANIFOLDS				
QTY	INT. & EXH. MANIFOLDS	PART NO.	SIZE	DESCRIPTION
1	Exhaust Manifold Gasket	FP-6205-11-5810		
1	Intake Manifold Gasket	FP-6136-11-4850		
2 2.7L 164 OHV L4, 3.7402" Bore				
Dozer				
4D95S; Build Series 1H; Eng. Ser. No. 124813-Up; Model D20P-7A; From Model Ser. No. 75001 to 78603				
4D95S; Build Series 1H; Eng. Ser. No. 124813-Up; Model D20PG-7A; From Model Ser. No. 75001 to 78603				
4D95S; Build Series 1H; Eng. Ser. No. 124813-Up; Model D20PL-7; From Model Ser. No. 62001 to 62453				
4D95S; Build Series 1J; Eng. Ser. No. 124813-Up; Model D21A-7; From Model Ser. No. 75001 to 78603				
4D95S; Build Series 1J; Eng. Ser. No. 124813-Up; Model D21AG-7; From Model Ser. No. 75001 to 78603				
4D95S; Build Series 1J; Eng. Ser. No. 124813-Up; Model D21PG-7A; From Model Ser. No. 75001 to 78603				
4D95S; Build Series 1J; Eng. Ser. No. 124813-Up; Model D21QG-7; From Model Ser. No. 61001 to 61131				
4D95S; Build Series 1J; Eng. Ser. No. 124813-Up; Model D21S-7; From Model Ser. No. 61001 to 61131				
CAMSHAFT GROUP				
QTY	CAMSHAFT/LIFTER	PART NO.	SIZE	DESCRIPTION
8	Lifter	FP-6204-41-2110		
COOLING SYSTEM				
QTY	THERMOSTAT	PART NO.	SIZE	DESCRIPTION
1	O-Ring	FP-6140-11-6331		
1	Thermostat	FP-600-421-6120		
QTY	WATER PUMP	PART NO.	SIZE	DESCRIPTION
1	Water Pump - Heavy Duty	FP-6204-61-1304		
CRANKSHAFT/OIL PUMP				
QTY	CRANKSHAFT	PART NO.	SIZE	DESCRIPTION
1	Crankshaft	FP-6202-31-1100		
QTY	MAIN BEARINGS	PART NO.	SIZE	DESCRIPTION
5	Main Bearing, Flanged	FP-6204-21-8100		STD
5	Main Bearing, Flanged	FP-6204-29-8100		.25MM
5	Main Bearing, Flanged	FP-6204-28-8100		.50MM

(continued on next page)

2.7L 164 OHV L4, 3.7402" Bore **2**
(cont.)

CRANKSHAFT/OIL PUMP (cont.)

QTY	MAIN BEARINGS (cont.)	PART NO.	SIZE	DESCRIPTION
5	Main Bearing, Flanged	FP-6204-27-8100	.75MM	
5	Main Bearing, Flanged	FP-6204-26-8100	1.00MM	
1	Thrust Washer	FP-6204-21-8600	STD	
1	Thrust Washer	FP-6204-29-8600	.25MM	
1	Thrust Washer	FP-6204-28-8600	.50MM	
1	Thrust Washer	FP-6204-27-8600	.75MM	
1	Thrust Washer	FP-6204-26-8600	1.00MM	

QTY	OIL PUMP	PART NO.	SIZE	DESCRIPTION
1	Oil Pump	FP-6204-51-1201		

QTY	SEALS - FRONT CRANK	PART NO.	SIZE	DESCRIPTION
1	Oil Seal	FP-6204-21-3510		

QTY	SEALS - REAR CRANK	PART NO.	SIZE	DESCRIPTION
1	Oil Seal	FP-6141-21-1332		

CYL. HEAD & PARTS

QTY	GASKETS	PART NO.	SIZE	DESCRIPTION
1	Head Gasket	FP-6205-11-1830		
1	Head Gasket Set	FP-6202-K1-0900		
1	Valve Cover Gasket	FP-6204-11-8810		

QTY	PUSH RODS	PART NO.	SIZE	DESCRIPTION
8	Push Rod	FP-6204-41-3110		

QTY	VALVE	PART NO.	SIZE	DESCRIPTION
16	Valve Keeper	FP-6204-41-4520		Int. & Exh.
4	Valve, Exhaust	FP-6204-41-4210		
4	Valve, Intake	FP-6207-41-4110		

QTY	VALVE GUIDE	PART NO.	SIZE	DESCRIPTION
8	Valve Guide	FP-6204-19-1310		

QTY	VALVE SEAL	PART NO.	SIZE	DESCRIPTION
8	Valve Stem Seal	FP-6204-41-4540		

QTY	VALVE SEAT	PART NO.	SIZE	DESCRIPTION
4	Valve Seat	FP-6204-11-1440		Exh.
4	Valve Seat	FP-6207-11-1430		Int.

QTY	VALVE SPRING	PART NO.	SIZE	DESCRIPTION
8	Valve Spring	FP-6204-41-4410		
8	Valve Spring Seat	FP-6204-41-4510		Upper

CYLINDER COMPONENTS

QTY	CONNECTING RODS & BRGS.	PART NO.	SIZE	DESCRIPTION
4	Connecting Rod Bearing Pair	FP-6207-31-3300	STD	
4	Connecting Rod Bearing Pair	FP-6207-39-3300	.25MM	
4	Connecting Rod Bearing Pair	FP-6207-38-3300	.50MM	
4	Connecting Rod Bearing Pair	FP-6207-37-3300	.75MM	
4	Connecting Rod Bearing Pair	FP-6207-36-3300	1.00MM	

QTY	LINERS	PART NO.	SIZE	DESCRIPTION
4	Cylinder Kit Complete	FP-LK2160		
4	Liner w/o Sealing Ring	FP-6207-21-2121		

QTY	PISTON RINGS	PART NO.	SIZE	DESCRIPTION
4	Ring Set, Single Cylinder	FP-6204-31-2203		

QTY	PISTONS	PART NO.	SIZE	DESCRIPTION
4	Piston Body w/o Pin	FP-6202-33-2160		
4	Piston Pin	FP-6204-31-2410		
4	Piston Pin Bushing	FP-6204-31-3130		
8	Piston Pin Retainer	FP-04065-03012		

ENGINE BLOCK & PARTS

QTY	CAM BEARINGS	PART NO.	SIZE	DESCRIPTION
2	Camshaft Bearing	FP-6206-21-1420		
1	Camshaft Bearing	FP-6206-21-1430		

QTY	GASKET SETS	PART NO.	SIZE	DESCRIPTION
1	Conversion Gasket Set	FP-6202-K2-0901		

QTY	GASKETS	PART NO.	SIZE	DESCRIPTION
1	Chemicals	FP-1816593		Oil pan; RTV Sealant

(continued on next page)

2 2.7L 164 OHV L4, 3.7402" Bore (cont.)				
INT & EXH MANIFOLDS				
QTY	INT. & EXH. MANIFOLDS	PART NO.	SIZE	DESCRIPTION
1	Exhaust Manifold Gasket	FP-6205-11-5810		
1	Intake Manifold Gasket	FP-6136-11-4850		
3 3.3L 199 OHV L4, 3.7402" Bore <i>Excavator</i> 4D95L; Build Series 1C; Eng. Ser. No. 10001-Up; Model PC60-3; Model Ser. No. 18001-Up 4D95L; Build Series 1G; Eng. Ser. No. 16084-Up; Model PW60-3; Model Ser. No. 2001-Up 4D95L; Build Series 1K; Eng. Ser. No. 15548-Up; Model PC60-5; Model Ser. No. 20501-Up 4D95L; Build Series 1K; Eng. Ser. No. 15548-Up; Model PC60L-5; Model Ser. No. 7501-Up 4D95L; Build Series 1K; Eng. Ser. No. 15548-Up; Model PC60U-5; Model Ser. No. 4501-Up 4D95L; Build Series 1L; Eng. Ser. No. 15941-Up; Model PC80-3; Model Ser. No. 2001-Up 4D95L; Build Series 1Z; Eng. Ser. No. 41633-Up; Model PC75UU-1; Model Ser. No. 1001-Up				
CAMSHAFT GROUP				
QTY	CAMSHAFT/LIFTER	PART NO.	SIZE	DESCRIPTION
8	Lifter	FP-6204-41-2110		
COOLING SYSTEM				
QTY	THERMOSTAT	PART NO.	SIZE	DESCRIPTION
1	O-Ring	FP-6140-11-6331		
1	Thermostat	FP-600-421-6110		
QTY	WATER PUMP	PART NO.	SIZE	DESCRIPTION
1	Water Pump - Heavy Duty	FP-6204-61-1104		
CRANKSHAFT/OIL PUMP				
QTY	CRANKSHAFT	PART NO.	SIZE	DESCRIPTION
1	Crankshaft	FP-6204-31-1201		
QTY	MAIN BEARINGS	PART NO.	SIZE	DESCRIPTION
5	Main Bearing, Flanged	FP-6204-21-8100	STD	
5	Main Bearing, Flanged	FP-6204-29-8100	.25MM	
5	Main Bearing, Flanged	FP-6204-28-8100	.50MM	
5	Main Bearing, Flanged	FP-6204-27-8100	.75MM	
5	Main Bearing, Flanged	FP-6204-26-8100	1.00MM	
1	Thrust Washer	FP-6204-21-8600	STD	
1	Thrust Washer	FP-6204-29-8600	.25MM	
1	Thrust Washer	FP-6204-28-8600	.50MM	
1	Thrust Washer	FP-6204-27-8600	.75MM	
1	Thrust Washer	FP-6204-26-8600	1.00MM	
QTY	OIL PUMP	PART NO.	SIZE	DESCRIPTION
1	Oil Pump	FP-6204-51-1201		
QTY	SEALS - FRONT CRANK	PART NO.	SIZE	DESCRIPTION
1	Oil Seal	FP-6204-21-3510		
QTY	SEALS - REAR CRANK	PART NO.	SIZE	DESCRIPTION
1	Oil Seal	FP-6141-21-1332		
CYL. HEAD & PARTS				
QTY	GASKETS	PART NO.	SIZE	DESCRIPTION
1	Head Gasket	FP-6204-11-1830		
1	Head Gasket Set	FP-6204-K1-9901		
1	Valve Cover Gasket	FP-6204-11-8810		
QTY	PUSH RODS	PART NO.	SIZE	DESCRIPTION
8	Push Rod	FP-6204-41-3110		
QTY	VALVE	PART NO.	SIZE	DESCRIPTION
16	Valve Keeper	FP-6204-41-4520		Int. & Exh.
4	Valve, Exhaust	FP-6204-41-4210		
4	Valve, Intake	FP-6207-41-4110		
QTY	VALVE GUIDE	PART NO.	SIZE	DESCRIPTION
8	Valve Guide	FP-6204-19-1310		
QTY	VALVE SEAL	PART NO.	SIZE	DESCRIPTION
8	Valve Stem Seal	FP-6204-41-4540		
QTY	VALVE SEAT	PART NO.	SIZE	DESCRIPTION
4	Valve Seat	FP-6204-11-1440		Exh.
QTY	VALVE SPRING	PART NO.	SIZE	DESCRIPTION
8	Valve Spring	FP-6204-41-4431		

(continued on next page)

3.3L 199 OHV L4, 3.7402" Bore **3** (cont.)

CYL. HEAD & PARTS (cont.)

QTY	VALVE SPRING (cont.)	PART NO.	SIZE	DESCRIPTION
8	Valve Spring Seat	FP-6204-41-4510		Upper

CYLINDER COMPONENTS

QTY	CONNECTING RODS & BRGS.	PART NO.	SIZE	DESCRIPTION
4	Connecting Rod Bearing Pair	FP-6207-31-3300	STD	
4	Connecting Rod Bearing Pair	FP-6207-39-3300	.25MM	
4	Connecting Rod Bearing Pair	FP-6207-38-3300	.50MM	
4	Connecting Rod Bearing Pair	FP-6207-37-3300	.75MM	
4	Connecting Rod Bearing Pair	FP-6207-36-3300	1.00MM	

QTY	LINERS	PART NO.	SIZE	DESCRIPTION
4	Cylinder Kit Complete	FP-LK2121		
4	Liner w/o Sealing Ring	FP-6207-21-2121		

QTY	PISTON RINGS	PART NO.	SIZE	DESCRIPTION
4	Ring Set, Single Cylinder	FP-6204-31-2203		

QTY	PISTONS	PART NO.	SIZE	DESCRIPTION
4	Piston Body w/o Pin	FP-6204-31-2121		
4	Piston Pin	FP-6204-31-2410		
4	Piston Pin Bushing	FP-6204-31-3130		
8	Piston Pin Retainer	FP-04065-03012		

ENGINE BLOCK & PARTS

QTY	CAM BEARINGS	PART NO.	SIZE	DESCRIPTION
2	Camshaft Bearing	FP-6206-21-1420		
1	Camshaft Bearing	FP-6206-21-1430		

QTY	GASKET SETS	PART NO.	SIZE	DESCRIPTION
1	Conversion Gasket Set	FP-6204-K2-0901		

QTY	GASKETS	PART NO.	SIZE	DESCRIPTION
1	Chemicals	FP-1816593		Oil pan; RTV Sealant

INT & EXH MANIFOLDS

QTY	INT. & EXH. MANIFOLDS	PART NO.	SIZE	DESCRIPTION
1	Exhaust Manifold Gasket	FP-6205-11-5810		
1	Intake Manifold Gasket	FP-6136-11-4850		

3.3L 199 OHV L4, 3.7402" Bore **4** *Excavator*

4D95L; Build Series 1AA-7; Eng. Ser. No. 49965-Up; Model PC70-6; Model Ser. No. 34101-Up
 4D95L; Build Series 1AA; Eng. Ser. No. 49965-Up; Model PC60-6; Model Ser. No. 28001-Up
 4D95L; Build Series 1AA; Eng. Ser. No. 49965-Up; Model PC60L-6; Model Ser. No. 8001-Up
 4D95L; Build Series 1BB; Eng. Ser. No. 49965-Up; Model PC60-6; Model Ser. No. 28001-Up
 4D95L; Build Series 1BB; Eng. Ser. No. 49965-Up; Model PC60L-6; Model Ser. No. 8001-Up
 4D95L; Build Series 1CC; Eng. Ser. No. 49965-Up; Model PC90-1; Model Ser. No. 1001-Up

CAMSHAFT GROUP

QTY	CAMSHAFT/LIFTER	PART NO.	SIZE	DESCRIPTION
8	Lifter	FP-6204-41-2110		

COOLING SYSTEM

QTY	THERMOSTAT	PART NO.	SIZE	DESCRIPTION
1	O-Ring	FP-6140-11-6331		
1	Thermostat	FP-600-421-6110		From Eng. Ser. No. 49965 to 96074
1	Thermostat	FP-600-421-6120		Eng. Ser. No. 96075-Up

QTY	WATER PUMP	PART NO.	SIZE	DESCRIPTION
1	Water Pump - Heavy Duty	FP-6206-61-1104		

CRANKSHAFT/OIL PUMP

QTY	CRANKSHAFT	PART NO.	SIZE	DESCRIPTION
1	Crankshaft	FP-6204-31-1201		

QTY	MAIN BEARINGS	PART NO.	SIZE	DESCRIPTION
5	Main Bearing, Flanged	FP-6204-21-8100	STD	
5	Main Bearing, Flanged	FP-6204-29-8100	.25MM	
5	Main Bearing, Flanged	FP-6204-28-8100	.50MM	
5	Main Bearing, Flanged	FP-6204-27-8100	.75MM	
5	Main Bearing, Flanged	FP-6204-26-8100	1.00MM	
1	Thrust Washer	FP-6204-21-8600	STD	

(continued on next page)

4 3.3L 199 OHV L4, 3.7402" Bore				
(cont.)				
CRANKSHAFT/OIL PUMP (cont.)				
QTY	MAIN BEARINGS (cont.)	PART NO.	SIZE	DESCRIPTION
1	Thrust Washer	FP-6204-29-8600	.25MM	
1	Thrust Washer	FP-6204-28-8600	.50MM	
1	Thrust Washer	FP-6204-27-8600	.75MM	
1	Thrust Washer	FP-6204-26-8600	1.00MM	
QTY	OIL PUMP	PART NO.	SIZE	DESCRIPTION
1	Oil Pump	FP-6204-51-1201		
QTY	SEALS - FRONT CRANK	PART NO.	SIZE	DESCRIPTION
1	Oil Seal	FP-6204-21-3510		
QTY	SEALS - REAR CRANK	PART NO.	SIZE	DESCRIPTION
1	Oil Seal	FP-6141-21-1332		
CYL. HEAD & PARTS				
QTY	GASKETS	PART NO.	SIZE	DESCRIPTION
1	Head Gasket	FP-6204-11-1830		
1	Head Gasket Set	FP-6204-K1-0901		
1	Valve Cover Gasket	FP-6204-11-8810		
QTY	PUSH RODS	PART NO.	SIZE	DESCRIPTION
8	Push Rod	FP-6204-41-3110		
QTY	VALVE	PART NO.	SIZE	DESCRIPTION
16	Valve Keeper	FP-6204-41-4520		Int. & Exh.
4	Valve, Exhaust	FP-6204-41-4210		
4	Valve, Intake	FP-6207-41-4110		
QTY	VALVE GUIDE	PART NO.	SIZE	DESCRIPTION
8	Valve Guide	FP-6204-19-1310		
QTY	VALVE SEAL	PART NO.	SIZE	DESCRIPTION
8	Valve Stem Seal	FP-6204-41-4540		
QTY	VALVE SEAT	PART NO.	SIZE	DESCRIPTION
4	Valve Seat	FP-6204-11-1440		Exh.
QTY	VALVE SPRING	PART NO.	SIZE	DESCRIPTION
8	Valve Spring	FP-6204-41-4431		
8	Valve Spring Seat	FP-6204-41-4510		Upper
CYLINDER COMPONENTS				
QTY	CONNECTING RODS & BRGS.	PART NO.	SIZE	DESCRIPTION
4	Connecting Rod Bearing Pair	FP-6207-31-3300	STD	
4	Connecting Rod Bearing Pair	FP-6207-39-3300	.25MM	
4	Connecting Rod Bearing Pair	FP-6207-38-3300	.50MM	
4	Connecting Rod Bearing Pair	FP-6207-37-3300	.75MM	
4	Connecting Rod Bearing Pair	FP-6207-36-3300	1.00MM	
QTY	LINERS	PART NO.	SIZE	DESCRIPTION
4	Cylinder Kit Complete	FP-LK332140		
4	Liner w/o Sealing Ring	FP-6207-21-2121		
QTY	PISTON RINGS	PART NO.	SIZE	DESCRIPTION
4	Ring Set, Single Cylinder	FP-6204-31-2203		
QTY	PISTONS	PART NO.	SIZE	DESCRIPTION
4	Piston Body w/o Pin	FP-6206-33-2140		
4	Piston Pin	FP-6204-31-2410		
4	Piston Pin Bushing	FP-6204-31-3130		
8	Piston Pin Retainer	FP-04065-03012		
ENGINE BLOCK & PARTS				
QTY	CAM BEARINGS	PART NO.	SIZE	DESCRIPTION
2	Camshaft Bearing	FP-6206-21-1420		
1	Camshaft Bearing	FP-6206-21-1430		
QTY	GASKET SETS	PART NO.	SIZE	DESCRIPTION
1	Conversion Gasket Set	FP-6204-K2-9901		
QTY	GASKETS	PART NO.	SIZE	DESCRIPTION
1	Chemicals	FP-1816593		Oil pan; RTV Sealant
INT & EXH MANIFOLDS				
QTY	INT. & EXH. MANIFOLDS	PART NO.	SIZE	DESCRIPTION
1	Exhaust Manifold Gasket	FP-6205-11-5810		

(continued on next page)

3.3L 199 OHV L4, 3.7402" Bore 4
(cont.)

INT & EXH MANIFOLDS (cont.)

QTY	INT. & EXH. MANIFOLDS (cont.)	PART NO.	SIZE	DESCRIPTION
1	Intake Manifold Gasket	FP-6136-11-4850		

3.3L 199 OHV L4, 3.7402" Bore 5
Excavator

4D95L; Build Series 1BW; Eng. Ser. No. 131803-Up; Model PC60-7; Model Ser. No. 45001-Up
 4D95L; Build Series 1BW; Eng. Ser. No. 131803-Up; Model PC60-7B; Model Ser. No. 45001-Up
 4D95L; Build Series 1FF; Eng. Ser. No. 131803-Up; Model PC75UU-2; Model Ser. No. 5001-Up
 4D95L; Build Series 1GG; Eng. Ser. No. 131803-Up; Model PC60-7; Model Ser. No. 45001-Up
 4D95L; Build Series 1GG; Eng. Ser. No. 131803-Up; Model PC60-7B; Model Ser. No. 45001-Up
 4D95L; Build Series 1W; Eng. Ser. No. 131803-Up; Model PC60-7; Model Ser. No. 45001-Up
 4D95L; Build Series 1W; Eng. Ser. No. 131803-Up; Model PC60-7B; Model Ser. No. 45001-Up

CAMSHAFT GROUP

QTY	CAMSHAFT/LIFTER	PART NO.	SIZE	DESCRIPTION
8	Lifter	FP-6204-41-2110		

COOLING SYSTEM

QTY	THERMOSTAT	PART NO.	SIZE	DESCRIPTION
1	O-Ring	FP-6140-11-6331		
1	Thermostat	FP-600-421-6120		
QTY	WATER PUMP	PART NO.	SIZE	DESCRIPTION
1	Water Pump - Heavy Duty	FP-6206-61-1104		

CRANKSHAFT/OIL PUMP

QTY	CRANKSHAFT	PART NO.	SIZE	DESCRIPTION
1	Crankshaft	FP-6204-31-1201		
QTY	MAIN BEARINGS	PART NO.	SIZE	DESCRIPTION
5	Main Bearing, Flanged	FP-6204-21-8100	STD	
5	Main Bearing, Flanged	FP-6204-29-8100	.25MM	
5	Main Bearing, Flanged	FP-6204-28-8100	.50MM	
5	Main Bearing, Flanged	FP-6204-27-8100	.75MM	
5	Main Bearing, Flanged	FP-6204-26-8100	1.00MM	
1	Thrust Washer	FP-6204-21-8600	STD	
1	Thrust Washer	FP-6204-29-8600	.25MM	
1	Thrust Washer	FP-6204-28-8600	.50MM	
1	Thrust Washer	FP-6204-27-8600	.75MM	
1	Thrust Washer	FP-6204-26-8600	1.00MM	
QTY	OIL PUMP	PART NO.	SIZE	DESCRIPTION
1	Oil Pump	FP-6204-51-1201		
QTY	SEALS - FRONT CRANK	PART NO.	SIZE	DESCRIPTION
1	Oil Seal	FP-6204-21-3510		
QTY	SEALS - REAR CRANK	PART NO.	SIZE	DESCRIPTION
1	Oil Seal	FP-6141-21-1332		

CYL. HEAD & PARTS

QTY	GASKETS	PART NO.	SIZE	DESCRIPTION
1	Head Gasket	FP-6204-11-1830		
1	Head Gasket Set	FP-6204-K1-0901		
1	Valve Cover Gasket	FP-6204-11-8810		
QTY	PUSH RODS	PART NO.	SIZE	DESCRIPTION
8	Push Rod	FP-6204-41-3110		
QTY	VALVE	PART NO.	SIZE	DESCRIPTION
16	Valve Keeper	FP-6204-41-4520		Int. & Exh.
4	Valve, Exhaust	FP-6204-41-4210		
4	Valve, Intake	FP-6207-41-4110		
QTY	VALVE GUIDE	PART NO.	SIZE	DESCRIPTION
8	Valve Guide	FP-6204-19-1310		
QTY	VALVE SEAL	PART NO.	SIZE	DESCRIPTION
8	Valve Stem Seal	FP-6204-41-4540		
QTY	VALVE SEAT	PART NO.	SIZE	DESCRIPTION
4	Valve Seat	FP-6204-11-1440		Exh.
QTY	VALVE SPRING	PART NO.	SIZE	DESCRIPTION
8	Valve Spring	FP-6204-41-4431		

(continued on next page)

5 3.3L 199 OHV L4, 3.7402" Bore				
(cont.)				
CYL. HEAD & PARTS (cont.)				
QTY	VALVE SPRING (cont.)	PART NO.	SIZE	DESCRIPTION
8	Valve Spring Seat	FP-6204-41-4510		Upper
CYLINDER COMPONENTS				
QTY	CONNECTING RODS & BRGS.	PART NO.	SIZE	DESCRIPTION
4	Connecting Rod Bearing Pair	FP-6207-31-3300	STD	
4	Connecting Rod Bearing Pair	FP-6207-39-3300	.25MM	
4	Connecting Rod Bearing Pair	FP-6207-38-3300	.50MM	
4	Connecting Rod Bearing Pair	FP-6207-37-3300	.75MM	
4	Connecting Rod Bearing Pair	FP-6207-36-3300	1.00MM	
QTY	LINERS	PART NO.	SIZE	DESCRIPTION
4	Cylinder Kit Complete	FP-LK332141		
4	Liner w/o Sealing Ring	FP-6207-21-2121		
QTY	PISTON RINGS	PART NO.	SIZE	DESCRIPTION
4	Ring Set, Single Cylinder	FP-6204-31-2203		
QTY	PISTONS	PART NO.	SIZE	DESCRIPTION
4	Piston Body w/o Pin	FP-6206-33-2141		
4	Piston Pin	FP-6204-31-2410		
4	Piston Pin Bushing	FP-6204-31-3130		
8	Piston Pin Retainer	FP-04065-03012		
ENGINE BLOCK & PARTS				
QTY	CAM BEARINGS	PART NO.	SIZE	DESCRIPTION
2	Camshaft Bearing	FP-6206-21-1420		
1	Camshaft Bearing	FP-6206-21-1430		
QTY	GASKET SETS	PART NO.	SIZE	DESCRIPTION
1	Conversion Gasket Set	FP-6204-K2-0901		
QTY	GASKETS	PART NO.	SIZE	DESCRIPTION
1	Chemicals	FP-1816593		Oil pan; RTV Sealant
INT & EXH MANIFOLDS				
QTY	INT. & EXH. MANIFOLDS	PART NO.	SIZE	DESCRIPTION
1	Exhaust Manifold Gasket	FP-6205-11-5810		
1	Intake Manifold Gasket	FP-6136-11-4850		
6 3.3L 199 OHV L4, 3.7402" Bore				
Excavator				
4D95LE; Build Series 2A; Eng. Ser. No. 100005-Up; Model PC60-7; Model Ser. No. 45001-Up				
4D95LE; Build Series 2A; Eng. Ser. No. 100005-Up; Model PC60-7B; Model Ser. No. 45001-Up				
4D95LE; Build Series 2B; Eng. Ser. No. 100005-Up; Model PC75UU-3; Model Ser. No. 15001-Up				
4D95LE; Build Series 2B; Eng. Ser. No. 100005-Up; Model PC78US-5-NA; Model Ser. No. 1001-Up				
4D95LE; Build Series 2B; Eng. Ser. No. 100005-Up; Model PC78US-5; Model Ser. No. 1001-Up				
4D95LE; Build Series 2C; Eng. Ser. No. 100005-Up; Model PC78US-6-N; Model Ser. No. 4001-Up				
CAMSHAFT GROUP				
QTY	CAMSHAFT/LIFTER	PART NO.	SIZE	DESCRIPTION
8	Lifter	FP-6204-41-2110		
COOLING SYSTEM				
QTY	THERMOSTAT	PART NO.	SIZE	DESCRIPTION
1	O-Ring	FP-6140-11-6331		
1	Thermostat	FP-600-421-6120		
QTY	WATER PUMP	PART NO.	SIZE	DESCRIPTION
1	Water Pump - Heavy Duty	FP-6205-61-1204		
CRANKSHAFT/OIL PUMP				
QTY	CRANKSHAFT	PART NO.	SIZE	DESCRIPTION
1	Crankshaft	FP-6204-31-1201		
QTY	MAIN BEARINGS	PART NO.	SIZE	DESCRIPTION
5	Main Bearing, Flanged	FP-6204-21-8100	STD	
5	Main Bearing, Flanged	FP-6204-29-8100	.25MM	
5	Main Bearing, Flanged	FP-6204-28-8100	.50MM	
5	Main Bearing, Flanged	FP-6204-27-8100	.75MM	
5	Main Bearing, Flanged	FP-6204-26-8100	1.00MM	
1	Thrust Washer	FP-6204-21-8600	STD	
1	Thrust Washer	FP-6204-29-8600	.25MM	

(continued on next page)

3.3L 199 OHV L4, 3.7402" Bore 6
(cont.)

CRANKSHAFT/OIL PUMP (cont.)				
QTY	MAIN BEARINGS (cont.)	PART NO.	SIZE	DESCRIPTION
1	Thrust Washer	FP-6204-28-8600	.50MM	
1	Thrust Washer	FP-6204-27-8600	.75MM	
1	Thrust Washer	FP-6204-26-8600	1.00MM	
QTY	OIL PUMP	PART NO.	SIZE	DESCRIPTION
1	Oil Pump	FP-6204-51-1201		
QTY	SEALS - FRONT CRANK	PART NO.	SIZE	DESCRIPTION
1	Oil Seal	FP-6204-21-3510		
QTY	SEALS - REAR CRANK	PART NO.	SIZE	DESCRIPTION
1	Oil Seal	FP-6141-21-1332		
CYL. HEAD & PARTS				
QTY	GASKETS	PART NO.	SIZE	DESCRIPTION
1	Head Gasket	FP-6204-11-1830		
1	Head Gasket Set	FP-6204-K1-0901		
1	Valve Cover Gasket	FP-6204-11-8810		
QTY	PUSH RODS	PART NO.	SIZE	DESCRIPTION
8	Push Rod	FP-6204-41-3110		
QTY	VALVE	PART NO.	SIZE	DESCRIPTION
16	Valve Keeper	FP-6204-41-4520		Int. & Exh.
4	Valve, Exhaust	FP-6204-41-4210		
4	Valve, Intake	FP-6207-41-4110		
QTY	VALVE GUIDE	PART NO.	SIZE	DESCRIPTION
8	Valve Guide	FP-6204-19-1310		
QTY	VALVE SEAL	PART NO.	SIZE	DESCRIPTION
8	Valve Stem Seal	FP-6204-41-4540		
QTY	VALVE SEAT	PART NO.	SIZE	DESCRIPTION
4	Valve Seat	FP-6204-11-1440		Exh.
QTY	VALVE SPRING	PART NO.	SIZE	DESCRIPTION
8	Valve Spring	FP-6204-41-4431		
8	Valve Spring Seat	FP-6204-41-4510		Upper
CYLINDER COMPONENTS				
QTY	CONNECTING RODS & BRGS.	PART NO.	SIZE	DESCRIPTION
4	Connecting Rod Bearing Pair	FP-6207-31-3300	STD	
4	Connecting Rod Bearing Pair	FP-6207-39-3300	.25MM	
4	Connecting Rod Bearing Pair	FP-6207-38-3300	.50MM	
4	Connecting Rod Bearing Pair	FP-6207-37-3300	.75MM	
4	Connecting Rod Bearing Pair	FP-6207-36-3300	1.00MM	
QTY	LINERS	PART NO.	SIZE	DESCRIPTION
4	Cylinder Kit Complete	FP-LK312141		
4	Liner w/o Sealing Ring	FP-6207-21-2121		
QTY	PISTON RINGS	PART NO.	SIZE	DESCRIPTION
4	Ring Set, Single Cylinder	FP-6205-31-2200		
QTY	PISTONS	PART NO.	SIZE	DESCRIPTION
4	Piston Body w/o Pin	FP-6204-31-2141		
4	Piston Pin	FP-6204-31-2410		
4	Piston Pin Bushing	FP-6204-31-3130		
8	Piston Pin Retainer	FP-04065-03012		
ENGINE BLOCK & PARTS				
QTY	CAM BEARINGS	PART NO.	SIZE	DESCRIPTION
2	Camshaft Bearing	FP-6206-21-1420		
1	Camshaft Bearing	FP-6206-21-1430		
QTY	GASKET SETS	PART NO.	SIZE	DESCRIPTION
1	Conversion Gasket Set	FP-6204-K2-0901		
QTY	GASKETS	PART NO.	SIZE	DESCRIPTION
1	Chemicals	FP-1816593		Oil pan; RTV Sealant
INT & EXH MANIFOLDS				
QTY	INT. & EXH. MANIFOLDS	PART NO.	SIZE	DESCRIPTION
1	Exhaust Manifold Gasket	FP-6205-11-5810		
1	Intake Manifold Gasket	FP-6136-11-4850		

7 3.3L 199 OHV L4, 3.7402" Bore

Excavator

S4D95L; Build Series 1A; Eng. Ser. No. 48797-Up; Model PC100-5; Model Ser. No. 28001-Up
 S4D95L; Build Series 1A; Eng. Ser. No. 48797-Up; Model PC100-5C; Model Ser. No. 28001-Up
 S4D95L; Build Series 1B; Eng. Ser. No. 48811-Up; Model PC120-5; Model Ser. No. 30001-Up
 S4D95L; Build Series 1B; Eng. Ser. No. 48811-Up; Model PC120-5; Model Ser. No. A40001-Up
 S4D95L; Build Series 1B; Eng. Ser. No. 48811-Up; Model PC130-5; Model Ser. No. 36601-Up
 S4D95L; Build Series 1G; Eng. Ser. No. 102350-Up; Model PC120-5C; Model Ser. No. 36601-Up
 S4D95L; Build Series 1G; Eng. Ser. No. 102350-Up; Model PC120-5M; Model Ser. No. 36601-Up
 S4D95L; Build Series 1G; Eng. Ser. No. 48811-Up; Model PC120-5Z; Model Ser. No. 36601-Up

CAMSHAFT GROUP

QTY	CAMSHAFT/LIFTER	PART NO.	SIZE	DESCRIPTION
8	Lifter	FP-6204-41-2110		

COOLING SYSTEM

QTY	THERMOSTAT	PART NO.	SIZE	DESCRIPTION
1	O-Ring	FP-6140-11-6331		
1	Thermostat	FP-600-421-6110		

QTY	WATER PUMP	PART NO.	SIZE	DESCRIPTION
1	Water Pump - Heavy Duty	FP-6206-61-1104		

CRANKSHAFT/OIL PUMP

QTY	CRANKSHAFT	PART NO.	SIZE	DESCRIPTION
1	Crankshaft	FP-6205-31-1201		

QTY	MAIN BEARINGS	PART NO.	SIZE	DESCRIPTION
5	Main Bearing, Flanged	FP-6204-21-8100	STD	
5	Main Bearing, Flanged	FP-6204-29-8100	.25MM	
5	Main Bearing, Flanged	FP-6204-28-8100	.50MM	
5	Main Bearing, Flanged	FP-6204-27-8100	.75MM	
5	Main Bearing, Flanged	FP-6204-26-8100	1.00MM	
1	Thrust Washer	FP-6204-21-8600	STD	
1	Thrust Washer	FP-6204-29-8600	.25MM	
1	Thrust Washer	FP-6204-28-8600	.50MM	
1	Thrust Washer	FP-6204-27-8600	.75MM	
1	Thrust Washer	FP-6204-26-8600	1.00MM	

QTY	OIL PUMP	PART NO.	SIZE	DESCRIPTION
1	Oil Pump	FP-6204-51-1201		

QTY	SEALS - FRONT CRANK	PART NO.	SIZE	DESCRIPTION
1	Oil Seal	FP-6204-21-3510		

QTY	SEALS - REAR CRANK	PART NO.	SIZE	DESCRIPTION
1	Oil Seal	FP-6141-21-1332		

CYL. HEAD & PARTS

QTY	GASKETS	PART NO.	SIZE	DESCRIPTION
1	Head Gasket	FP-6204-11-1830		
1	Head Gasket Set	FP-6205-K1-2104		
1	Valve Cover Gasket	FP-6204-11-8810		

QTY	PUSH RODS	PART NO.	SIZE	DESCRIPTION
8	Push Rod	FP-6204-41-3110		

QTY	VALVE	PART NO.	SIZE	DESCRIPTION
16	Valve Keeper	FP-6204-41-4520		Int. & Exh.
4	Valve, Exhaust	FP-6209-41-4210	STD	
4	Valve, Intake	FP-6209-41-4110		

QTY	VALVE GUIDE	PART NO.	SIZE	DESCRIPTION
8	Valve Guide	FP-6204-19-1310		

QTY	VALVE SEAL	PART NO.	SIZE	DESCRIPTION
4	Valve Stem Seal	FP-6204-41-4540		

QTY	VALVE SEAT	PART NO.	SIZE	DESCRIPTION
4	Valve Seat	FP-6207-11-1440		Exh.
4	Valve Seat	FP-6209-11-1430		Int.

QTY	VALVE SPRING	PART NO.	SIZE	DESCRIPTION
8	Valve Spring	FP-6204-41-4431		
8	Valve Spring Seat	FP-6204-41-4510		Upper

CYLINDER COMPONENTS

QTY	CONNECTING RODS & BRGS.	PART NO.	SIZE	DESCRIPTION
4	Connecting Rod Bearing Pair	FP-6207-31-3300	STD	

(continued on next page)

3.3L 199 OHV L4, 3.7402" Bore **7** (cont.)

CYLINDER COMPONENTS (cont.)

CONNECTING RODS & BRGS. (cont.)				
QTY		PART NO.	SIZE	DESCRIPTION
4	Connecting Rod Bearing Pair	FP-6207-39-3300	.25MM	
4	Connecting Rod Bearing Pair	FP-6207-38-3300	.50MM	
4	Connecting Rod Bearing Pair	FP-6207-37-3300	.75MM	
4	Connecting Rod Bearing Pair	FP-6207-36-3300	1.00MM	
LINERS				
QTY		PART NO.	SIZE	DESCRIPTION
4	Cylinder Kit Complete	FP-LK72141		
4	Liner w/o Sealing Ring	FP-6207-21-2121		
PISTON RINGS				
QTY		PART NO.	SIZE	DESCRIPTION
4	Ring Set, Single Cylinder	FP-6207-31-2501		
PISTONS				
QTY		PART NO.	SIZE	DESCRIPTION
4	Piston Body w/o Pin	FP-6207-31-2141		
4	Piston Pin	FP-6207-31-2420		
4	Piston Pin Bushing	FP-6207-31-3130		
8	Piston Pin Retainer	FP-04065-03012		

ENGINE BLOCK & PARTS

CAM BEARINGS				
QTY		PART NO.	SIZE	DESCRIPTION
2	Camshaft Bearing	FP-6206-21-1420		
1	Camshaft Bearing	FP-6206-21-1430		
GASKET SETS				
QTY		PART NO.	SIZE	DESCRIPTION
1	Conversion Gasket Set	FP-6205-K2-2104		
GASKETS				
QTY		PART NO.	SIZE	DESCRIPTION
1	Chemicals	FP-1816593		Oil pan; RTV Sealant

INT & EXH MANIFOLDS

INT. & EXH. MANIFOLDS				
QTY		PART NO.	SIZE	DESCRIPTION
1	Exhaust Manifold Gasket	FP-6205-11-5810		
1	Intake Manifold Gasket	FP-6136-11-4850		

3.3L 199 OHV L4, 3.7402" Bore **8** *Excavator*

S4D95L; Build Series 1J; Eng. Ser. No. 135080-Up; Model PC100-6; Model Ser. No. 40001-Up
 S4D95L; Build Series 1J; Eng. Ser. No. 135080-Up; Model PC100-6Z; Model Ser. No. 40001-Up
 S4D95L; Build Series 1J; Eng. Ser. No. 135080-Up; Model PC100L-6; Model Ser. No. 15001-Up
 S4D95L; Build Series 1K; Eng. Ser. No. 135080-Up; Model PC120-6; Model Ser. No. 45001-Up
 S4D95L; Build Series 1K; Eng. Ser. No. 135080-Up; Model PC120-6Z; Model Ser. No. 45001-Up
 S4D95L; Build Series 1K; Eng. Ser. No. 135080-Up; Model PC130-6; Model Ser. No. 45001-Up
 S4D95L; Build Series 1M; Eng. Ser. No. 135080-Up; Model PW130-6K; Model Ser. No. K30001-Up

CAMSHAFT GROUP

CAMSHAFT/LIFTER				
QTY		PART NO.	SIZE	DESCRIPTION
8	Lifter	FP-6204-41-2110		

COOLING SYSTEM

THERMOSTAT				
QTY		PART NO.	SIZE	DESCRIPTION
1	O-Ring	FP-6140-11-6331		
1	Thermostat	FP-600-421-6110		
WATER PUMP				
QTY		PART NO.	SIZE	DESCRIPTION
1	Water Pump - Heavy Duty	FP-6206-61-1104		

CRANKSHAFT/OIL PUMP

CRANKSHAFT				
QTY		PART NO.	SIZE	DESCRIPTION
1	Crankshaft	FP-6205-31-1201		
MAIN BEARINGS				
QTY		PART NO.	SIZE	DESCRIPTION
5	Main Bearing, Flanged	FP-6204-21-8100	STD	
5	Main Bearing, Flanged	FP-6204-29-8100	.25MM	
5	Main Bearing, Flanged	FP-6204-28-8100	.50MM	
5	Main Bearing, Flanged	FP-6204-27-8100	.75MM	
5	Main Bearing, Flanged	FP-6204-26-8100	1.00MM	
1	Thrust Washer	FP-6204-21-8600	STD	
1	Thrust Washer	FP-6204-29-8600	.25MM	
1	Thrust Washer	FP-6204-28-8600	.50MM	
1	Thrust Washer	FP-6204-27-8600	.75MM	
1	Thrust Washer	FP-6204-26-8600	1.00MM	

(continued on next page)

8 3.3L 199 OHV L4, 3.7402" Bore				
(cont.)				
CRANKSHAFT/OIL PUMP (cont.)				
QTY	OIL PUMP	PART NO.	SIZE	DESCRIPTION
1	Oil Pump	FP-6207-51-1201		
QTY	SEALS - FRONT CRANK	PART NO.	SIZE	DESCRIPTION
1	Oil Seal	FP-6204-21-3510		
QTY	SEALS - REAR CRANK	PART NO.	SIZE	DESCRIPTION
1	Oil Seal	FP-6141-21-1332		
CYL. HEAD & PARTS				
QTY	GASKETS	PART NO.	SIZE	DESCRIPTION
1	Head Gasket	FP-6204-11-1830		
1	Head Gasket Set	FP-6205-K1-2104		
1	Valve Cover Gasket	FP-6204-11-8810		
QTY	PUSH RODS	PART NO.	SIZE	DESCRIPTION
8	Push Rod	FP-6204-41-3110		
QTY	VALVE	PART NO.	SIZE	DESCRIPTION
16	Valve Keeper	FP-6204-41-4520		Int. & Exh.
4	Valve, Exhaust	FP-6209-41-4210	STD	
4	Valve, Intake	FP-6209-41-4110		
QTY	VALVE GUIDE	PART NO.	SIZE	DESCRIPTION
8	Valve Guide	FP-6204-19-1310		
QTY	VALVE SEAL	PART NO.	SIZE	DESCRIPTION
4	Valve Stem Seal	FP-6204-41-4540		
QTY	VALVE SEAT	PART NO.	SIZE	DESCRIPTION
4	Valve Seat	FP-6207-11-1440		Exh.
4	Valve Seat	FP-6209-11-1430		Int.
QTY	VALVE SPRING	PART NO.	SIZE	DESCRIPTION
8	Valve Spring	FP-6204-41-4431		
8	Valve Spring Seat	FP-6204-41-4510		Upper
CYLINDER COMPONENTS				
QTY	CONNECTING RODS & BRGS.	PART NO.	SIZE	DESCRIPTION
4	Connecting Rod Bearing Pair	FP-6207-31-3600	STD	
4	Connecting Rod Bearing Pair	FP-6207-39-3600	.25MM	
4	Connecting Rod Bearing Pair	FP-6207-38-3600	.50MM	
4	Connecting Rod Bearing Pair	FP-6207-37-3600	.75MM	
4	Connecting Rod Bearing Pair	FP-6207-36-3600	1.00MM	
QTY	LINERS	PART NO.	SIZE	DESCRIPTION
4	Cylinder Kit Complete	FP-LK72121		
4	Liner w/o Sealing Ring	FP-6207-21-2121		
QTY	PISTON RINGS	PART NO.	SIZE	DESCRIPTION
4	Ring Set, Single Cylinder	FP-6207-31-2501		
QTY	PISTONS	PART NO.	SIZE	DESCRIPTION
4	Piston Body w/o Pin	FP-6207-31-2121		
4	Piston Pin	FP-6207-31-2420		
4	Piston Pin Bushing	FP-6207-31-3530		
8	Piston Pin Retainer	FP-04065-03012		
ENGINE BLOCK & PARTS				
QTY	CAM BEARINGS	PART NO.	SIZE	DESCRIPTION
2	Camshaft Bearing	FP-6206-21-1420		
1	Camshaft Bearing	FP-6206-21-1430		
QTY	GASKET SETS	PART NO.	SIZE	DESCRIPTION
1	Conversion Gasket Set	FP-6205-K2-2104		
QTY	GASKETS	PART NO.	SIZE	DESCRIPTION
1	Chemicals	FP-1816593		Oil pan; RTV Sealant
INT & EXH MANIFOLDS				
QTY	INT. & EXH. MANIFOLDS	PART NO.	SIZE	DESCRIPTION
1	Exhaust Manifold Gasket	FP-6205-11-5810		
1	Intake Manifold Gasket	FP-6136-11-4850		

3.3L 199 OHV L4, 3.7402" Bore 9

Excavator

S4D95LE; Build Series 3A-2; Eng. Ser. No. 100001-Up; Model PC78MR-6-N; Model Ser. No. 1001-Up
 S4D95LE; Build Series 3A-2; Eng. Ser. No. 100001-Up; Model PC78US-6-N; Model Ser. No. 4001-Up

CAMSHAFT GROUP				
QTY	CAMSHAFT/LIFTER	PART NO.	SIZE	DESCRIPTION
8	Lifter	FP-6204-41-2110		
COOLING SYSTEM				
QTY	THERMOSTAT	PART NO.	SIZE	DESCRIPTION
1	O-Ring	FP-6140-11-6331		
1	Thermostat	FP-600-421-6110		
QTY	WATER PUMP	PART NO.	SIZE	DESCRIPTION
1	Water Pump - Heavy Duty	FP-6205-61-1202		
CRANKSHAFT/OIL PUMP				
QTY	CRANKSHAFT	PART NO.	SIZE	DESCRIPTION
1	Crankshaft	FP-6204-31-1201		
QTY	MAIN BEARINGS	PART NO.	SIZE	DESCRIPTION
5	Main Bearing, Flanged	FP-6204-21-8100	STD	
5	Main Bearing, Flanged	FP-6204-29-8100	.25MM	
5	Main Bearing, Flanged	FP-6204-28-8100	.50MM	
5	Main Bearing, Flanged	FP-6204-27-8100	.75MM	
5	Main Bearing, Flanged	FP-6204-26-8100	1.00MM	
1	Thrust Washer	FP-6204-21-8600	STD	
1	Thrust Washer	FP-6204-29-8600	.25MM	
1	Thrust Washer	FP-6204-28-8600	.50MM	
1	Thrust Washer	FP-6204-27-8600	.75MM	
1	Thrust Washer	FP-6204-26-8600	1.00MM	
QTY	OIL PUMP	PART NO.	SIZE	DESCRIPTION
1	Oil Pump	FP-6207-51-1201		
QTY	SEALS - FRONT CRANK	PART NO.	SIZE	DESCRIPTION
1	Oil Seal	FP-6204-21-3510		
QTY	SEALS - REAR CRANK	PART NO.	SIZE	DESCRIPTION
1	Oil Seal	FP-6141-21-1332		
CYL. HEAD & PARTS				
QTY	GASKETS	PART NO.	SIZE	DESCRIPTION
1	Head Gasket	FP-6204-11-1830		
1	Head Gasket Set	FP-6204-K1-0901		
1	Valve Cover Gasket	FP-6204-11-8810		
QTY	PUSH RODS	PART NO.	SIZE	DESCRIPTION
8	Push Rod	FP-6204-41-3110		
QTY	VALVE	PART NO.	SIZE	DESCRIPTION
16	Valve Keeper	FP-6204-41-4520		Int. & Exh.
4	Valve, Exhaust	FP-6204-41-4210		
4	Valve, Intake	FP-6207-41-4110		
QTY	VALVE GUIDE	PART NO.	SIZE	DESCRIPTION
8	Valve Guide	FP-6204-19-1310		
QTY	VALVE SEAL	PART NO.	SIZE	DESCRIPTION
4	Valve Stem Seal	FP-6204-41-4541		
QTY	VALVE SPRING	PART NO.	SIZE	DESCRIPTION
8	Valve Spring	FP-6204-41-4410		
8	Valve Spring Seat	FP-6204-41-4510		Upper
CYLINDER COMPONENTS				
QTY	CONNECTING RODS & BRGS.	PART NO.	SIZE	DESCRIPTION
4	Connecting Rod Bearing Pair	FP-6207-31-3600	STD	
4	Connecting Rod Bearing Pair	FP-6207-39-3600	.25MM	
4	Connecting Rod Bearing Pair	FP-6207-38-3600	.50MM	
4	Connecting Rod Bearing Pair	FP-6207-37-3600	.75MM	
4	Connecting Rod Bearing Pair	FP-6207-36-3600	1.00MM	
QTY	LINERS	PART NO.	SIZE	DESCRIPTION
4	Cylinder Kit Complete	FP-LK2190		
4	Liner w/o Sealing Ring	FP-6207-21-2121		
QTY	PISTON RINGS	PART NO.	SIZE	DESCRIPTION
4	Ring Set, Single Cylinder	FP-6207-31-2300		

(continued on next page)

9 3.3L 199 OHV L4, 3.7402" Bore				
<i>(cont.)</i>				
CYLINDER COMPONENTS (cont.)				
QTY	PISTONS	PART NO.	SIZE	DESCRIPTION
4	Piston Body w/o Pin	FP-6205-31-2190		
4	Piston Pin	FP-6204-31-2410		
4	Piston Pin Bushing	FP-6207-31-3530		
8	Piston Pin Retainer	FP-04065-03012		
ENGINE BLOCK & PARTS				
QTY	CAM BEARINGS	PART NO.	SIZE	DESCRIPTION
2	Camshaft Bearing	FP-6206-21-1420		
1	Camshaft Bearing	FP-6206-21-1430		
QTY	GASKET SETS	PART NO.	SIZE	DESCRIPTION
1	Conversion Gasket Set	FP-6204-K2-0901		
QTY	GASKETS	PART NO.	SIZE	DESCRIPTION
1	Chemicals	FP-1816593		Oil pan; RTV Sealant
INT & EXH MANIFOLDS				
QTY	INT. & EXH. MANIFOLDS	PART NO.	SIZE	DESCRIPTION
1	Exhaust Manifold Gasket	FP-6205-11-5810		
1	Intake Manifold Gasket	FP-6136-11-4850		
10 3.3L 199 OHV L4, 3.7402" Bore				
<i>Wheel Loader</i>				
4D95L; Build Series W-1A; Eng. Ser. No. 10001-Up; Model WA40-1; Model Ser. No. 1001-Up				
4D95L; Build Series W-1B; Eng. Ser. No. 11437-Up; Model WA70-1; Model Ser. No. 10001-Up				
4D95L; Build Series W-1E; Eng. Ser. No. 11437-Up; Model WA70-1; Model Ser. No. 10001-Up				
CAMSHAFT GROUP				
QTY	CAMSHAFT/LIFTER	PART NO.	SIZE	DESCRIPTION
8	Lifter	FP-6204-41-2110		
COOLING SYSTEM				
QTY	THERMOSTAT	PART NO.	SIZE	DESCRIPTION
1	O-Ring	FP-6140-11-6331		
1	Thermostat	FP-600-421-6110		
QTY	WATER PUMP	PART NO.	SIZE	DESCRIPTION
1	Water Pump - Heavy Duty	FP-6204-61-1104		
CRANKSHAFT/OIL PUMP				
QTY	CRANKSHAFT	PART NO.	SIZE	DESCRIPTION
1	Crankshaft	FP-6204-31-1201		
QTY	MAIN BEARINGS	PART NO.	SIZE	DESCRIPTION
5	Main Bearing, Flanged	FP-6204-21-8100	STD	
5	Main Bearing, Flanged	FP-6204-29-8100	.25MM	
5	Main Bearing, Flanged	FP-6204-28-8100	.50MM	
5	Main Bearing, Flanged	FP-6204-27-8100	.75MM	
5	Main Bearing, Flanged	FP-6204-26-8100	1.00MM	
1	Thrust Washer	FP-6204-21-8600	STD	
1	Thrust Washer	FP-6204-29-8600	.25MM	
1	Thrust Washer	FP-6204-28-8600	.50MM	
1	Thrust Washer	FP-6204-27-8600	.75MM	
1	Thrust Washer	FP-6204-26-8600	1.00MM	
QTY	OIL PUMP	PART NO.	SIZE	DESCRIPTION
1	Oil Pump	FP-6204-51-1201		
QTY	SEALS - FRONT CRANK	PART NO.	SIZE	DESCRIPTION
1	Oil Seal	FP-6204-21-3510		
QTY	SEALS - REAR CRANK	PART NO.	SIZE	DESCRIPTION
1	Oil Seal	FP-6141-21-1332		
CYL. HEAD & PARTS				
QTY	GASKETS	PART NO.	SIZE	DESCRIPTION
1	Head Gasket	FP-6204-11-1830		
1	Head Gasket Set	FP-6204-K1-9901		
1	Valve Cover Gasket	FP-6204-11-8810		
QTY	PUSH RODS	PART NO.	SIZE	DESCRIPTION
8	Push Rod	FP-6204-41-3110		

(continued on next page)

3.3L 199 OHV L4, 3.7402" Bore 10 (cont.)

CYL. HEAD & PARTS (cont.)

QTY	VALVE	PART NO.	SIZE	DESCRIPTION
16	Valve Keeper	FP-6204-41-4520		Int. & Exh.
4	Valve, Exhaust	FP-6204-41-4210		
4	Valve, Intake	FP-6207-41-4110		
QTY	VALVE GUIDE	PART NO.	SIZE	DESCRIPTION
8	Valve Guide	FP-6204-19-1310		
QTY	VALVE SEAL	PART NO.	SIZE	DESCRIPTION
8	Valve Stem Seal	FP-6204-41-4540		
QTY	VALVE SEAT	PART NO.	SIZE	DESCRIPTION
4	Valve Seat	FP-6204-11-1440		Exh.
QTY	VALVE SPRING	PART NO.	SIZE	DESCRIPTION
8	Valve Spring	FP-6204-41-4431		Upper
8	Valve Spring Seat	FP-6204-41-4510		

CYLINDER COMPONENTS

QTY	CONNECTING RODS & BRGS.	PART NO.	SIZE	DESCRIPTION
4	Connecting Rod Bearing Pair	FP-6207-31-3300	STD	
4	Connecting Rod Bearing Pair	FP-6207-39-3300	.25MM	
4	Connecting Rod Bearing Pair	FP-6207-38-3300	.50MM	
4	Connecting Rod Bearing Pair	FP-6207-37-3300	.75MM	
4	Connecting Rod Bearing Pair	FP-6207-36-3300	1.00MM	
QTY	LINERS	PART NO.	SIZE	DESCRIPTION
4	Cylinder Kit Complete	FP-LK2161		
4	Liner w/o Sealing Ring	FP-6207-21-2121		
QTY	PISTON RINGS	PART NO.	SIZE	DESCRIPTION
4	Ring Set, Single Cylinder	FP-6202-32-2202		
QTY	PISTONS	PART NO.	SIZE	DESCRIPTION
4	Piston Body w/o Pin	FP-6204-32-2161		
4	Piston Pin	FP-6204-31-2410		
4	Piston Pin Bushing	FP-6204-31-3130		
8	Piston Pin Retainer	FP-04065-03012		

ENGINE BLOCK & PARTS

QTY	CAM BEARINGS	PART NO.	SIZE	DESCRIPTION
2	Camshaft Bearing	FP-6206-21-1420		
1	Camshaft Bearing	FP-6206-21-1430		
QTY	GASKET SETS	PART NO.	SIZE	DESCRIPTION
1	Conversion Gasket Set	FP-6204-K2-0901		
QTY	GASKETS	PART NO.	SIZE	DESCRIPTION
1	Chemicals	FP-1816593		Oil pan; RTV Sealant

INT & EXH MANIFOLDS

QTY	INT. & EXH. MANIFOLDS	PART NO.	SIZE	DESCRIPTION
1	Exhaust Manifold Gasket	FP-6205-11-5810		
1	Intake Manifold Gasket	FP-6136-11-4850		

3.9L 239 OHV L4, 4.0197" Bore 11 Dozer

S4D102E; Build Series 1J; Eng. Ser. No. 26200163-Up; Model D38E-1; From Model Ser. No. 85501 to 85798
 S4D102E; Build Series 1J; Eng. Ser. No. 26200163-Up; Model D38P-1; From Model Ser. No. 85501 to 85798
 S4D102E; Build Series 1J; Eng. Ser. No. 26200163-Up; Model D39E-1; From Model Ser. No. 95501 to 95871
 S4D102E; Build Series 1J; Eng. Ser. No. 26200163-Up; Model D39P-1; From Model Ser. No. 95501 to 95871

CAMSHAFT GROUP

QTY	CAMSHAFT/LIFTER	PART NO.	SIZE	DESCRIPTION
8	Lifter	FP-6732-41-2112		

COOLING SYSTEM

QTY	THERMOSTAT	PART NO.	SIZE	DESCRIPTION
1	O-Ring	FP-6732-61-6240		
1	Thermostat	FP-6735-61-1690		
QTY	WATER PUMP	PART NO.	SIZE	DESCRIPTION
1	Water Pump - Heavy Duty	FP-6736-61-1202		

(continued on next page)

11 3.9L 239 OHV L4, 4.0197" Bore				
(cont.)				
CRANKSHAFT/OIL PUMP				
QTY	CRANKSHAFT	PART NO.	SIZE	DESCRIPTION
1	Crankshaft	FP-6732-31-1100		
QTY	MAIN BEARINGS	PART NO.	SIZE	DESCRIPTION
1	Main Bearing Set	FP-6732-29-8110	STD	
1	Main Bearing Set	FP-6732-28-8100	.25MM	
1	Main Bearing Set	FP-6732-27-8100	.50MM	
1	Main Bearing Set	FP-6732-26-8100	.75MM	
1	Main Bearing Set	FP-6732-25-8100	1.00MM	
1	Thrust Washer	FP-6731-21-8610	.50MM	
1	Thrust Washer	FP-6736-28-8700	1.00MM	
QTY	OIL PUMP	PART NO.	SIZE	DESCRIPTION
1	Oil Pump	FP-6732-51-1112		
QTY	SEALS - FRONT CRANK	PART NO.	SIZE	DESCRIPTION
1	Oil Seal	FP-6731-21-4220		
1	Oil Seal Kit	FP-6736-39-1221		
QTY	SEALS - REAR CRANK	PART NO.	SIZE	DESCRIPTION
1	Oil Seal	FP-6735-K2-3001		
1	Oil Seal	FP-6736-39-1130		Wet housing
1	Oil Seal Kit	FP-6736-39-1140		Dry housing
CYL. HEAD & PARTS				
QTY	GASKETS	PART NO.	SIZE	DESCRIPTION
1	Head Gasket	FP-6732-11-1151		
1	Head Gasket Set	FP-6731-11-9990		
4	Valve Cover Gasket	FP-6732-11-8181		
QTY	VALVE	PART NO.	SIZE	DESCRIPTION
16	Valve Keeper	FP-6732-41-4520		Int. & Exh.
4	Valve, Exhaust	FP-6736-41-4210		
4	Valve, Intake	FP-6736-41-4110		
QTY	VALVE GUIDE	PART NO.	SIZE	DESCRIPTION
8	Valve Guide	FP-6736-18-1310		Int. & Exh.; Thin wall
4	Valve Guide	FP-6736-19-1310		Int.; Thick wall, 60.50MM
4	Valve Guide	FP-6736-19-1410		Exh.; Thick wall, 51.75MM
QTY	VALVE SEAL	PART NO.	SIZE	DESCRIPTION
8	Valve Stem Seal	FP-6732-41-4540		Int. & Exh.
QTY	VALVE SEAT	PART NO.	SIZE	DESCRIPTION
4	Valve Seat	FP-6732-11-1170		Exh.
4	Valve Seat	FP-6732-11-1180		Int.
QTY	VALVE SPRING	PART NO.	SIZE	DESCRIPTION
8	Valve Spring	FP-6732-41-4430		
8	Valve Spring Seat	FP-6732-41-4510		Upper
CYLINDER COMPONENTS				
QTY	CONNECTING RODS & BRGS.	PART NO.	SIZE	DESCRIPTION
8	Rod Bearing Half Upper/Lower	FP-6732-31-3411	STD	
8	Rod Bearing Half Upper/Lower	FP-6736-39-3400	.25MM	
8	Rod Bearing Half Upper/Lower	FP-6736-38-3400	.50MM	
8	Rod Bearing Half Upper/Lower	FP-6736-37-3400	.75MM	
8	Rod Bearing Half Upper/Lower	FP-6736-36-3400	1.00MM	
QTY	LINERS	PART NO.	SIZE	DESCRIPTION
4	Liner w/o Sealing Ring	FP-6736-29-2110		
QTY	PISTON RINGS	PART NO.	SIZE	DESCRIPTION
4	Ring Set, Single Cylinder	FP-6735-31-2040		
QTY	PISTONS	PART NO.	SIZE	DESCRIPTION
4	Piston Kit w/Pin & Retainers	FP-6735-31-2070		
4	Piston Pin	FP-6736-31-2430		
4	Piston Pin Bushing	FP-6732-31-3131		
8	Piston Pin Retainer	FP-6736-31-2510		
ENGINE BLOCK & PARTS				
QTY	CAM BEARINGS	PART NO.	SIZE	DESCRIPTION
1	Camshaft Bearing	FP-6736-29-1410		1; O/S
4	Camshaft Bearing	FP-6736-29-1420		2-3-4-5; O/S
1	Camshaft Bearing	FP-6732-21-1410	STD	Narrow

(continued on next page)

3.9L 239 OHV L4, 4.0197" Bore **11** (cont.)

ENGINE BLOCK & PARTS (cont.)

QTY	GASKET SETS	PART NO.	SIZE	DESCRIPTION
1	Conversion Gasket Set	FP-6732-01-1140		
QTY	GASKETS	PART NO.	SIZE	DESCRIPTION
1	Chemicals	FP-1816593		Oil pan; RTV Sealant
FUEL SYSTEM & PARTS				
QTY	FUEL INJECTION	PART NO.	SIZE	DESCRIPTION
4	Fuel Injector - New	FP-6736-11-3100		
4	Fuel Injector Nozzle	FP-6731-11-3150		
INT & EXH MANIFOLDS				
QTY	INT. & EXH. MANIFOLDS	PART NO.	SIZE	DESCRIPTION
4	Exhaust Manifold Gasket	FP-6736-11-5810		
1	Intake Manifold Gasket	FP-6733-11-4861		

3.9L 239 OHV L4, 4.0197" Bore **12** *Dozer*

S4D102E; Build Series 1J; Eng. Ser. No. 26200163-Up; Model D32E-1; Model Ser. No. 75718-Up
 S4D102E; Build Series 1J; Eng. Ser. No. 26200163-Up; Model D32E-1A; Model Ser. No. 76093-Up
 S4D102E; Build Series 1J; Eng. Ser. No. 26200163-Up; Model D32P-1; Model Ser. No. 75718-Up
 S4D102E; Build Series 1J; Eng. Ser. No. 26200163-Up; Model D32P-1A; Model Ser. No. 76093-Up

CAMSHAFT GROUP

QTY	CAMSHAFT/LIFTER	PART NO.	SIZE	DESCRIPTION
8	Lifter	FP-6732-41-2112		

COOLING SYSTEM

QTY	THERMOSTAT	PART NO.	SIZE	DESCRIPTION
1	O-Ring	FP-6732-61-6240		
1	Thermostat	FP-6735-61-1690		
QTY	WATER PUMP	PART NO.	SIZE	DESCRIPTION
1	Water Pump - Heavy Duty	FP-6736-61-1202		

CRANKSHAFT/OIL PUMP

QTY	CRANKSHAFT	PART NO.	SIZE	DESCRIPTION
1	Crankshaft	FP-6732-31-1100		
QTY	MAIN BEARINGS	PART NO.	SIZE	DESCRIPTION
1	Main Bearing Set	FP-6732-29-8110		STD
1	Main Bearing Set	FP-6732-28-8100		.25MM
1	Main Bearing Set	FP-6732-27-8100		.50MM
1	Main Bearing Set	FP-6732-26-8100		.75MM
1	Main Bearing Set	FP-6732-25-8100		1.00MM
1	Thrust Washer	FP-6731-21-8610		.50MM
1	Thrust Washer	FP-6736-28-8700		1.00MM
QTY	OIL PUMP	PART NO.	SIZE	DESCRIPTION
1	Oil Pump	FP-6732-51-1112		
QTY	SEALS - FRONT CRANK	PART NO.	SIZE	DESCRIPTION
1	Oil Seal	FP-6731-21-4220		
1	Oil Seal Kit	FP-6736-39-1221		
QTY	SEALS - REAR CRANK	PART NO.	SIZE	DESCRIPTION
1	Oil Seal	FP-6735-K2-3001		
1	Oil Seal	FP-6736-39-1130		Wet housing
1	Oil Seal Kit	FP-6736-39-1140		Dry housing

CYL. HEAD & PARTS

QTY	GASKETS	PART NO.	SIZE	DESCRIPTION
1	Head Gasket	FP-6732-11-1151		
1	Head Gasket Set	FP-6731-11-9990		
4	Valve Cover Gasket	FP-6732-11-8181		
QTY	VALVE	PART NO.	SIZE	DESCRIPTION
16	Valve Keeper	FP-6732-41-4520		Int. & Exh.
4	Valve, Exhaust	FP-6736-41-4210		
4	Valve, Intake	FP-6736-41-4110		
QTY	VALVE GUIDE	PART NO.	SIZE	DESCRIPTION
8	Valve Guide	FP-6736-18-1310		Int. & Exh.; Thin wall
4	Valve Guide	FP-6736-19-1310		Int.; Thick wall, 60.50MM

(continued on next page)

12 3.9L 239 OHV L4, 4.0197" Bore				
(cont.)				
CYL. HEAD & PARTS (cont.)				
QTY	VALVE GUIDE (cont.)	PART NO.	SIZE	DESCRIPTION
4	Valve Guide	FP-6736-19-1410		Exh.; Thick wall, 51.75MM
QTY	VALVE SEAL	PART NO.	SIZE	DESCRIPTION
8	Valve Stem Seal	FP-6732-41-4540		Int. & Exh.
QTY	VALVE SEAT	PART NO.	SIZE	DESCRIPTION
4	Valve Seat	FP-6732-11-1170		Exh.
4	Valve Seat	FP-6732-11-1180		Int.
QTY	VALVE SPRING	PART NO.	SIZE	DESCRIPTION
8	Valve Spring	FP-6732-41-4430		
8	Valve Spring Seat	FP-6732-41-4510		Upper
CYLINDER COMPONENTS				
QTY	CONNECTING RODS & BRGS.	PART NO.	SIZE	DESCRIPTION
8	Rod Bearing Half Upper/Lower	FP-6732-31-3411	STD	
8	Rod Bearing Half Upper/Lower	FP-6736-39-3400	.25MM	
8	Rod Bearing Half Upper/Lower	FP-6736-38-3400	.50MM	
8	Rod Bearing Half Upper/Lower	FP-6736-37-3400	.75MM	
8	Rod Bearing Half Upper/Lower	FP-6736-36-3400	1.00MM	
QTY	LINERS	PART NO.	SIZE	DESCRIPTION
4	Liner w/o Sealing Ring	FP-6736-29-2110		
QTY	PISTON RINGS	PART NO.	SIZE	DESCRIPTION
4	Ring Set, Single Cylinder	FP-6731-31-2290		
QTY	PISTONS	PART NO.	SIZE	DESCRIPTION
4	Piston Kit w/Pin & Retainers	FP-6731-31-2190		
4	Piston Pin	FP-6731-31-2410		
4	Piston Pin Bushing	FP-6732-31-3131		
8	Piston Pin Retainer	FP-6732-31-2420		
ENGINE BLOCK & PARTS				
QTY	CAM BEARINGS	PART NO.	SIZE	DESCRIPTION
1	Camshaft Bearing	FP-6736-29-1410		1; O/S
4	Camshaft Bearing	FP-6736-29-1420		2-3-4-5; O/S
1	Camshaft Bearing	FP-6732-21-1411	STD	Wide
QTY	GASKET SETS	PART NO.	SIZE	DESCRIPTION
1	Conversion Gasket Set	FP-6732-01-1140		
QTY	GASKETS	PART NO.	SIZE	DESCRIPTION
1	Chemicals	FP-1816593		Oil pan; RTV Sealant
FUEL SYSTEM & PARTS				
QTY	FUEL INJECTION	PART NO.	SIZE	DESCRIPTION
4	Fuel Injector - New	FP-6731-11-3160		
4	Fuel Injector Nozzle	FP-6735-11-3160		
INT & EXH MANIFOLDS				
QTY	INT. & EXH. MANIFOLDS	PART NO.	SIZE	DESCRIPTION
4	Exhaust Manifold Gasket	FP-6736-11-5810		
1	Intake Manifold Gasket	FP-6733-11-4861		
13 3.9L 239 OHV L4, 4.0197" Bore				
Dozer				
S4D102E; Build Series 1J; Eng. Ser. No. 26200163-Up; Model D32E-1; From Model Ser. No. 75501 to 75717				
S4D102E; Build Series 1J; Eng. Ser. No. 26200163-Up; Model D32P-1; From Model Ser. No. 75501 to 75717				
CAMSHAFT GROUP				
QTY	CAMSHAFT/LIFTER	PART NO.	SIZE	DESCRIPTION
8	Lifter	FP-6732-41-2112		
COOLING SYSTEM				
QTY	THERMOSTAT	PART NO.	SIZE	DESCRIPTION
1	O-Ring	FP-6732-61-6240		
1	Thermostat	FP-6735-61-1690		
QTY	WATER PUMP	PART NO.	SIZE	DESCRIPTION
1	Water Pump - Heavy Duty	FP-6736-61-1202		

(continued on next page)

3.9L 239 OHV L4, 4.0197" Bore 13
(cont.)

CRANKSHAFT/OIL PUMP				
QTY	CRANKSHAFT	PART NO.	SIZE	DESCRIPTION
1	Crankshaft	FP-6732-31-1100		
QTY	MAIN BEARINGS	PART NO.	SIZE	DESCRIPTION
1	Main Bearing Set	FP-6732-29-8110	STD	
1	Main Bearing Set	FP-6732-28-8100	.25MM	
1	Main Bearing Set	FP-6732-27-8100	.50MM	
1	Main Bearing Set	FP-6732-26-8100	.75MM	
1	Main Bearing Set	FP-6732-25-8100	1.00MM	
1	Thrust Washer	FP-6731-21-8610	.50MM	
1	Thrust Washer	FP-6736-28-8700	1.00MM	
QTY	OIL PUMP	PART NO.	SIZE	DESCRIPTION
1	Oil Pump	FP-6732-51-1112		
QTY	SEALS - FRONT CRANK	PART NO.	SIZE	DESCRIPTION
1	Oil Seal	FP-6731-21-4220		
1	Oil Seal Kit	FP-6736-39-1221		
QTY	SEALS - REAR CRANK	PART NO.	SIZE	DESCRIPTION
1	Oil Seal	FP-6735-K2-3001		
1	Oil Seal	FP-6736-39-1130		Wet housing
1	Oil Seal Kit	FP-6736-39-1140		Dry housing
CYL. HEAD & PARTS				
QTY	GASKETS	PART NO.	SIZE	DESCRIPTION
1	Head Gasket	FP-6732-11-1151		
1	Head Gasket Set	FP-6731-11-9990		
4	Valve Cover Gasket	FP-6732-11-8181		
QTY	VALVE	PART NO.	SIZE	DESCRIPTION
16	Valve Keeper	FP-6732-41-4520		Int. & Exh.
4	Valve, Exhaust	FP-6736-41-4210		
4	Valve, Intake	FP-6736-41-4110		
QTY	VALVE GUIDE	PART NO.	SIZE	DESCRIPTION
8	Valve Guide	FP-6736-18-1310		Int. & Exh.; Thin wall
4	Valve Guide	FP-6736-19-1310		Int.; Thick wall, 60.50MM
4	Valve Guide	FP-6736-19-1410		Exh.; Thick wall, 51.75MM
QTY	VALVE SEAL	PART NO.	SIZE	DESCRIPTION
8	Valve Stem Seal	FP-6732-41-4540		Int. & Exh.
QTY	VALVE SEAT	PART NO.	SIZE	DESCRIPTION
4	Valve Seat	FP-6732-11-1170		Exh.
4	Valve Seat	FP-6732-11-1180		Int.
QTY	VALVE SPRING	PART NO.	SIZE	DESCRIPTION
8	Valve Spring	FP-6732-41-4430		
8	Valve Spring Seat	FP-6732-41-4510		Upper
CYLINDER COMPONENTS				
QTY	CONNECTING RODS & BRGS.	PART NO.	SIZE	DESCRIPTION
8	Rod Bearing Half Upper/Lower	FP-6732-31-3411	STD	
8	Rod Bearing Half Upper/Lower	FP-6736-39-3400	.25MM	
8	Rod Bearing Half Upper/Lower	FP-6736-38-3400	.50MM	
8	Rod Bearing Half Upper/Lower	FP-6736-37-3400	.75MM	
8	Rod Bearing Half Upper/Lower	FP-6736-36-3400	1.00MM	
QTY	LINERS	PART NO.	SIZE	DESCRIPTION
4	Liner w/o Sealing Ring	FP-6736-29-2110		
QTY	PISTON RINGS	PART NO.	SIZE	DESCRIPTION
4	Ring Set, Single Cylinder	FP-6735-31-2040		
QTY	PISTONS	PART NO.	SIZE	DESCRIPTION
4	Piston Kit w/Pin & Retainers	FP-6735-31-2070		
4	Piston Pin	FP-6736-31-2430		
4	Piston Pin Bushing	FP-6732-31-3131		
8	Piston Pin Retainer	FP-6736-31-2510		
ENGINE BLOCK & PARTS				
QTY	CAM BEARINGS	PART NO.	SIZE	DESCRIPTION
1	Camshaft Bearing	FP-6736-29-1410		1; O/S
4	Camshaft Bearing	FP-6736-29-1420		2-3-4-5; O/S
1	Camshaft Bearing	FP-6732-21-1410	STD	Narrow

(continued on next page)

13 3.9L 239 OHV L4, 4.0197" Bore				
(cont.)				
ENGINE BLOCK & PARTS (cont.)				
QTY	GASKET SETS	PART NO.	SIZE	DESCRIPTION
1	Conversion Gasket Set	FP-6732-01-1140		
QTY	GASKETS	PART NO.	SIZE	DESCRIPTION
1	Chemicals	FP-1816593		Oil pan; RTV Sealant
FUEL SYSTEM & PARTS				
QTY	FUEL INJECTION	PART NO.	SIZE	DESCRIPTION
4	Fuel Injector - New	FP-6731-11-3360		
INT & EXH MANIFOLDS				
QTY	INT. & EXH. MANIFOLDS	PART NO.	SIZE	DESCRIPTION
4	Exhaust Manifold Gasket	FP-6736-11-5810		
1	Intake Manifold Gasket	FP-6733-11-4861		
14 3.9L 239 OHV L4, 4.0197" Bore				
Dozer				
S4D102E; Build Series 1J; Eng. Ser. No. 26200163-Up; Model D31E-20; Model Ser. No. 40087-Up & A40523-Up				
S4D102E; Build Series 1J; Eng. Ser. No. 26200163-Up; Model D31P-20A; Model Ser. No. 45001-Up				
S4D102E; Build Series 1J; Eng. Ser. No. 26200163-Up; Model D37E-5; Model Ser. No. 1606-Up & A1924-Up				
S4D102E; Build Series 1J; Eng. Ser. No. 26200163-Up; Model D37P-5A; Model Ser. No. 1543-Up				
CAMSHAFT GROUP				
QTY	CAMSHAFT/LIFTER	PART NO.	SIZE	DESCRIPTION
8	Lifter	FP-6732-41-2112		
COOLING SYSTEM				
QTY	THERMOSTAT	PART NO.	SIZE	DESCRIPTION
1	O-Ring	FP-6732-61-6240		
1	Thermostat	FP-6732-61-1620		
QTY	WATER PUMP	PART NO.	SIZE	DESCRIPTION
1	Water Pump - Heavy Duty	FP-6736-61-1202		
CRANKSHAFT/OIL PUMP				
QTY	CRANKSHAFT	PART NO.	SIZE	DESCRIPTION
1	Crankshaft	FP-6732-31-1100		
QTY	MAIN BEARINGS	PART NO.	SIZE	DESCRIPTION
1	Main Bearing Set	FP-6732-29-8110		STD
1	Main Bearing Set	FP-6732-28-8100		.25MM
1	Main Bearing Set	FP-6732-27-8100		.50MM
1	Main Bearing Set	FP-6732-26-8100		.75MM
1	Main Bearing Set	FP-6732-25-8100		1.00MM
1	Thrust Washer	FP-6731-21-8610		.50MM
1	Thrust Washer	FP-6736-28-8700		1.00MM
QTY	OIL PUMP	PART NO.	SIZE	DESCRIPTION
1	Oil Pump	FP-6732-51-1112		
QTY	SEALS - FRONT CRANK	PART NO.	SIZE	DESCRIPTION
1	Oil Seal	FP-6731-21-4220		
1	Oil Seal Kit	FP-6736-39-1221		
QTY	SEALS - REAR CRANK	PART NO.	SIZE	DESCRIPTION
1	Oil Seal	FP-6735-K2-3001		
1	Oil Seal	FP-6736-39-1130		Wet housing
1	Oil Seal Kit	FP-6736-39-1140		Dry housing
CYL. HEAD & PARTS				
QTY	GASKETS	PART NO.	SIZE	DESCRIPTION
1	Head Gasket	FP-6732-11-1151		
1	Head Gasket Set	FP-6731-11-9990		
4	Valve Cover Gasket	FP-6732-11-8181		
QTY	VALVE	PART NO.	SIZE	DESCRIPTION
16	Valve Keeper	FP-6732-41-4520		Int. & Exh.
4	Valve, Exhaust	FP-6736-41-4210		
4	Valve, Intake	FP-6736-41-4110		
QTY	VALVE GUIDE	PART NO.	SIZE	DESCRIPTION
8	Valve Guide	FP-6736-18-1310		Int. & Exh.; Thin wall
4	Valve Guide	FP-6736-19-1310		Int.; Thick wall, 60.50MM
4	Valve Guide	FP-6736-19-1410		Exh.; Thick wall, 51.75MM

(continued on next page)

3.9L 239 OHV L4, 4.0197" Bore 14
(cont.)

CYL. HEAD & PARTS (cont.)

QTY	VALVE SEAL	PART NO.	SIZE	DESCRIPTION
8	Valve Stem Seal	FP-6732-41-4540		Int. & Exh.
4	Valve Seat	FP-6732-11-1170		Exh.
4	Valve Seat	FP-6732-11-1180		Int.
8	Valve Spring	FP-6732-41-4430		
8	Valve Spring Seat	FP-6732-41-4510		Upper

CYLINDER COMPONENTS

QTY	CONNECTING RODS & BRGS.	PART NO.	SIZE	DESCRIPTION
8	Rod Bearing Half Upper/Lower	FP-6732-31-3411	STD	
8	Rod Bearing Half Upper/Lower	FP-6736-39-3400	.25MM	
8	Rod Bearing Half Upper/Lower	FP-6736-38-3400	.50MM	
8	Rod Bearing Half Upper/Lower	FP-6736-37-3400	.75MM	
8	Rod Bearing Half Upper/Lower	FP-6736-36-3400	1.00MM	
4	LINERS	FP-6736-29-2110		Liner w/o Sealing Ring
4	PISTON RINGS	FP-6738-31-2031	STD	Ring Set, Single Cylinder
4	PISTONS	FP-6735-31-2111	STD	Piston Body w/o Pin
4	Piston Pin	FP-6731-31-2410		
4	Piston Pin Bushing	FP-6732-31-3131		
8	Piston Pin Retainer	FP-6732-31-2420		
4	Piston w/Retainer & Rings	FP-6735-31-2140	STD	

ENGINE BLOCK & PARTS

QTY	CAM BEARINGS	PART NO.	SIZE	DESCRIPTION
1	Camshaft Bearing	FP-6736-29-1410		1; O/S
4	Camshaft Bearing	FP-6736-29-1420		2-3-4-5; O/S
1	Camshaft Bearing	FP-6732-21-1410	STD	Narrow
1	Camshaft Bearing	FP-6732-21-1411	STD	Wide
1	GASKET SETS	FP-6732-01-1140		Conversion Gasket Set
1	GASKETS	FP-1816593		Chemicals Oil pan; RTV Sealant

FUEL SYSTEM & PARTS

QTY	FUEL INJECTION	PART NO.	SIZE	DESCRIPTION
4	Fuel Injector - New	FP-6732-11-3220		
4	Fuel Injector Nozzle	FP-6732-11-3230		

INT & EXH MANIFOLDS

QTY	INT. & EXH. MANIFOLDS	PART NO.	SIZE	DESCRIPTION
4	Exhaust Manifold Gasket	FP-6736-11-5810		
1	Intake Manifold Gasket	FP-6733-11-4861		

3.9L 239 OHV L4, 4.0197" Bore 15
Dozer

S4D102E; Build Series 1J; Eng. Ser. No. 26200163-Up; Model D38E-1; Model Ser. No. 85799-Up
 S4D102E; Build Series 1J; Eng. Ser. No. 26200163-Up; Model D38E-1A; Model Ser. No. 86239-Up
 S4D102E; Build Series 1J; Eng. Ser. No. 26200163-Up; Model D38P-1; Model Ser. No. 85799-Up
 S4D102E; Build Series 1J; Eng. Ser. No. 26200163-Up; Model D38P-1A; Model Ser. No. 86239-Up
 S4D102E; Build Series 1J; Eng. Ser. No. 26200163-Up; Model D39E-1; Model Ser. No. 95872-Up
 S4D102E; Build Series 1J; Eng. Ser. No. 26200163-Up; Model D39E-1A; Model Ser. No. 96338-Up
 S4D102E; Build Series 1J; Eng. Ser. No. 26200163-Up; Model D39P-1; Model Ser. No. 95872-Up
 S4D102E; Build Series 1J; Eng. Ser. No. 26200163-Up; Model D39P-1A; Model Ser. No. 96338-Up

CAMSHAFT GROUP

QTY	CAMSHAFT/LIFTER	PART NO.	SIZE	DESCRIPTION
8	Lifter	FP-6732-41-2112		

(continued on next page)

15 3.9L 239 OHV L4, 4.0197" Bore				
(cont.)				
COOLING SYSTEM				
QTY	THERMOSTAT	PART NO.	SIZE	DESCRIPTION
1	O-Ring	FP-6732-61-6240		
1	Thermostat	FP-6732-61-1620		
QTY	WATER PUMP	PART NO.	SIZE	DESCRIPTION
1	Water Pump - Heavy Duty	FP-6736-61-1202		
CRANKSHAFT/OIL PUMP				
QTY	CRANKSHAFT	PART NO.	SIZE	DESCRIPTION
1	Crankshaft	FP-6732-31-1100		
QTY	MAIN BEARINGS	PART NO.	SIZE	DESCRIPTION
1	Main Bearing Set	FP-6732-29-8110		STD
1	Main Bearing Set	FP-6732-28-8100		.25MM
1	Main Bearing Set	FP-6732-27-8100		.50MM
1	Main Bearing Set	FP-6732-26-8100		.75MM
1	Main Bearing Set	FP-6732-25-8100		1.00MM
1	Thrust Washer	FP-6731-21-8610		.50MM
1	Thrust Washer	FP-6736-28-8700		1.00MM
QTY	OIL PUMP	PART NO.	SIZE	DESCRIPTION
1	Oil Pump	FP-6732-51-1112		
QTY	SEALS - FRONT CRANK	PART NO.	SIZE	DESCRIPTION
1	Oil Seal	FP-6731-21-4220		
1	Oil Seal Kit	FP-6736-39-1221		
QTY	SEALS - REAR CRANK	PART NO.	SIZE	DESCRIPTION
1	Oil Seal	FP-6735-K2-3001		
1	Oil Seal	FP-6736-39-1130		Wet housing
1	Oil Seal Kit	FP-6736-39-1140		Dry housing
CYL. HEAD & PARTS				
QTY	GASKETS	PART NO.	SIZE	DESCRIPTION
1	Head Gasket	FP-6732-11-1151		
1	Head Gasket Set	FP-6731-11-9990		
4	Valve Cover Gasket	FP-6732-11-8181		
QTY	VALVE	PART NO.	SIZE	DESCRIPTION
16	Valve Keeper	FP-6732-41-4520		Int. & Exh.
4	Valve, Exhaust	FP-6736-41-4210		
4	Valve, Intake	FP-6736-41-4110		
QTY	VALVE GUIDE	PART NO.	SIZE	DESCRIPTION
8	Valve Guide	FP-6736-18-1310		Int. & Exh.; Thin wall
4	Valve Guide	FP-6736-19-1310		Int.; Thick wall, 60.50MM
4	Valve Guide	FP-6736-19-1410		Exh.; Thick wall, 51.75MM
QTY	VALVE SEAL	PART NO.	SIZE	DESCRIPTION
8	Valve Stem Seal	FP-6732-41-4540		Int. & Exh.
QTY	VALVE SEAT	PART NO.	SIZE	DESCRIPTION
4	Valve Seat	FP-6732-11-1170		Exh.
4	Valve Seat	FP-6732-11-1180		Int.
QTY	VALVE SPRING	PART NO.	SIZE	DESCRIPTION
8	Valve Spring	FP-6732-41-4430		
8	Valve Spring Seat	FP-6732-41-4510		Upper
CYLINDER COMPONENTS				
QTY	CONNECTING RODS & BRGS.	PART NO.	SIZE	DESCRIPTION
8	Rod Bearing Half Upper/Lower	FP-6732-31-3411		STD
8	Rod Bearing Half Upper/Lower	FP-6736-39-3400		.25MM
8	Rod Bearing Half Upper/Lower	FP-6736-38-3400		.50MM
8	Rod Bearing Half Upper/Lower	FP-6736-37-3400		.75MM
8	Rod Bearing Half Upper/Lower	FP-6736-36-3400		1.00MM
QTY	LINERS	PART NO.	SIZE	DESCRIPTION
4	Liner w/o Sealing Ring	FP-6736-29-2110		
QTY	PISTON RINGS	PART NO.	SIZE	DESCRIPTION
4	Ring Set, Single Cylinder	FP-6738-31-2031		STD
QTY	PISTONS	PART NO.	SIZE	DESCRIPTION
4	Piston Body w/o Pin	FP-6735-31-2111		STD
4	Piston Pin	FP-6731-31-2410		
4	Piston Pin Bushing	FP-6732-31-3131		

(continued on next page)

3.9L 239 OHV L4, 4.0197" Bore 15
(cont.)

CYLINDER COMPONENTS (cont.)

QTY	PISTONS (cont.)	PART NO.	SIZE	DESCRIPTION
8	Piston Pin Retainer	FP-6732-31-2420		
4	Piston w/Retainer & Rings	FP-6735-31-2140	STD	

ENGINE BLOCK & PARTS

QTY	CAM BEARINGS	PART NO.	SIZE	DESCRIPTION
1	Camshaft Bearing	FP-6736-29-1410		1; O/S
4	Camshaft Bearing	FP-6736-29-1420		2-3-4-5; O/S
1	Camshaft Bearing	FP-6732-21-1410	STD	Narrow
1	Camshaft Bearing	FP-6732-21-1411	STD	Wide

QTY	GASKET SETS	PART NO.	SIZE	DESCRIPTION
1	Conversion Gasket Set	FP-6732-01-1140		

QTY	GASKETS	PART NO.	SIZE	DESCRIPTION
1	Chemicals	FP-1816593		Oil pan; RTV Sealant

FUEL SYSTEM & PARTS

QTY	FUEL INJECTION	PART NO.	SIZE	DESCRIPTION
4	Fuel Injector - New	FP-6733-11-3100		
4	Fuel Injector Nozzle	FP-6735-11-3160		

INT & EXH MANIFOLDS

QTY	INT. & EXH. MANIFOLDS	PART NO.	SIZE	DESCRIPTION
4	Exhaust Manifold Gasket	FP-6736-11-5810		
1	Intake Manifold Gasket	FP-6733-11-4861		

3.9L 239 OHV L4, 4.0197" Bore 16
Dozer

SAA4D102E; Build Series 2A; Eng. Ser. No. 26277757-Up; Model D39EX-21; Model Ser. No. 1001-Up
 SAA4D102E; Build Series 2A; Eng. Ser. No. 26277757-Up; Model D39PX-21; Model Ser. No. 1001-Up
 SAA4D102E; Build Series 2B-4; Eng. Ser. No. 26277757-Up; Model D31EX-21; Model Ser. No. 50001-Up
 SAA4D102E; Build Series 2B-4; Eng. Ser. No. 26277757-Up; Model D31PX-21; Model Ser. No. 50001-Up
 SAA4D102E; Build Series 2B-4; Eng. Ser. No. 26277757-Up; Model D37EX-21; Model Ser. No. 50001-Up
 SAA4D102E; Build Series 2B-4; Eng. Ser. No. 26277757-Up; Model D37PX-21; Model Ser. No. 50001-Up

CAMSHAFT GROUP

QTY	CAMSHAFT/LIFTER	PART NO.	SIZE	DESCRIPTION
8	Lifter	FP-6732-41-2112		

COOLING SYSTEM

QTY	THERMOSTAT	PART NO.	SIZE	DESCRIPTION
1	O-Ring	FP-6732-61-6240		
1	Thermostat	FP-6732-61-1620		

QTY	WATER PUMP	PART NO.	SIZE	DESCRIPTION
1	Water Pump - Heavy Duty	FP-6736-61-1202		

CRANKSHAFT/OIL PUMP

QTY	CRANKSHAFT	PART NO.	SIZE	DESCRIPTION
1	Crankshaft	FP-6732-31-1100		

QTY	MAIN BEARINGS	PART NO.	SIZE	DESCRIPTION
1	Main Bearing Set	FP-6732-29-8110	STD	
1	Main Bearing Set	FP-6732-28-8100	.25MM	
1	Main Bearing Set	FP-6732-27-8100	.50MM	
1	Main Bearing Set	FP-6732-26-8100	.75MM	
1	Main Bearing Set	FP-6732-25-8100	1.00MM	
1	Thrust Washer	FP-6731-21-8610	.50MM	
1	Thrust Washer	FP-6736-28-8700	1.00MM	

QTY	OIL PUMP	PART NO.	SIZE	DESCRIPTION
1	Oil Pump	FP-6732-51-1113		

QTY	SEALS - FRONT CRANK	PART NO.	SIZE	DESCRIPTION
1	Oil Seal	FP-6731-21-4220		
1	Oil Seal Kit	FP-6736-39-1221		

QTY	SEALS - REAR CRANK	PART NO.	SIZE	DESCRIPTION
1	Oil Seal	FP-6735-K2-3001		
1	Oil Seal	FP-6736-39-1130		Wet housing
1	Oil Seal Kit	FP-6736-39-1140		Dry housing

(continued on next page)

16 3.9L 239 OHV L4, 4.0197" Bore				
CYL. HEAD & PARTS				
QTY	GASKETS	PART NO.	SIZE	DESCRIPTION
1	Head Gasket	FP-6732-11-1151		
1	Head Gasket Set	FP-6731-11-9990		
4	Valve Cover Gasket	FP-6732-11-8181		
QTY	VALVE	PART NO.	SIZE	DESCRIPTION
16	Valve Keeper	FP-6732-41-4520		Int. & Exh.
4	Valve, Exhaust	FP-6736-41-4210		
4	Valve, Intake	FP-6736-41-4110		
QTY	VALVE GUIDE	PART NO.	SIZE	DESCRIPTION
8	Valve Guide	FP-6736-18-1310		Int. & Exh.; Thin wall
4	Valve Guide	FP-6736-19-1310		Int.; Thick wall, 60.50MM
4	Valve Guide	FP-6736-19-1410		Exh.; Thick wall, 51.75MM
QTY	VALVE SEAL	PART NO.	SIZE	DESCRIPTION
8	Valve Stem Seal	FP-6732-41-4540		Int. & Exh.
QTY	VALVE SEAT	PART NO.	SIZE	DESCRIPTION
4	Valve Seat	FP-6732-11-1170		Exh.
4	Valve Seat	FP-6732-11-1180		Int.
QTY	VALVE SPRING	PART NO.	SIZE	DESCRIPTION
8	Valve Spring	FP-6732-41-4430		
8	Valve Spring Seat	FP-6732-41-4510		Upper
CYLINDER COMPONENTS				
QTY	CONNECTING RODS & BRGS.	PART NO.	SIZE	DESCRIPTION
8	Rod Bearing Half Upper/Lower	FP-6732-31-3411	STD	
8	Rod Bearing Half Upper/Lower	FP-6736-39-3400	.25MM	
8	Rod Bearing Half Upper/Lower	FP-6736-38-3400	.50MM	
8	Rod Bearing Half Upper/Lower	FP-6736-37-3400	.75MM	
8	Rod Bearing Half Upper/Lower	FP-6736-36-3400	1.00MM	
QTY	LINERS	PART NO.	SIZE	DESCRIPTION
4	Liner w/o Sealing Ring	FP-6736-29-2110		
QTY	PISTON RINGS	PART NO.	SIZE	DESCRIPTION
4	Ring Set, Single Cylinder	FP-6738-31-2031	STD	
QTY	PISTONS	PART NO.	SIZE	DESCRIPTION
4	Piston Body w/o Pin	FP-6738-31-2111		
4	Piston Pin	FP-6731-31-2410		
4	Piston Pin Bushing	FP-6732-31-3131		
8	Piston Pin Retainer	FP-6732-31-2420		
ENGINE BLOCK & PARTS				
QTY	CAM BEARINGS	PART NO.	SIZE	DESCRIPTION
1	Camshaft Bearing	FP-6736-29-1410		1; O/S
4	Camshaft Bearing	FP-6736-29-1420		2-3-4-5; O/S
1	Camshaft Bearing	FP-6732-21-1411	STD	Wide
QTY	GASKET SETS	PART NO.	SIZE	DESCRIPTION
1	Conversion Gasket Set	FP-6732-01-1140		
QTY	GASKETS	PART NO.	SIZE	DESCRIPTION
1	Chemicals	FP-1816593		Oil pan; RTV Sealant
FUEL SYSTEM & PARTS				
QTY	FUEL INJECTION	PART NO.	SIZE	DESCRIPTION
4	Fuel Injector - New	FP-6737-11-3100		
4	Fuel Injector Nozzle	FP-6738-11-3120		
INT & EXH MANIFOLDS				
QTY	INT. & EXH. MANIFOLDS	PART NO.	SIZE	DESCRIPTION
4	Exhaust Manifold Gasket	FP-6736-11-5810		
1	Intake Manifold Gasket	FP-6733-11-4861		

3.9L 239 OHV L4, 4.0197" Bore 17 Excavator

S4D102E; Build Series 1AE; Eng. Ser. No. 26213103-Up; Model PC130-6K; Model Ser. No. K30001-Up
 S4D102E; Build Series 1D; Eng. Ser. No. 26200163-Up; Model PC100-6; Model Ser. No. 40001-Up
 S4D102E; Build Series 1D; Eng. Ser. No. 26200163-Up; Model PC100-6Z; Model Ser. No. 40001-Up
 S4D102E; Build Series 1D; Eng. Ser. No. 26200163-Up; Model PC100L-6; Model Ser. No. 15001-Up
 S4D102E; Build Series 1E; Eng. Ser. No. 26200163-Up; Model PC120-6; Model Ser. No. 45001-Up
 S4D102E; Build Series 1E; Eng. Ser. No. 26200163-Up; Model PC120-6Z; Model Ser. No. 45001-Up
 S4D102E; Build Series 1E; Eng. Ser. No. 26200163-Up; Model PC120LC-6; Model Ser. No. 45001-Up
 S4D102E; Build Series 1F-US; Eng. Ser. No. 26200163-Up; Model PC128US-1; Model Ser. No. 1001-Up
 S4D102E; Build Series 1F-US; Eng. Ser. No. 26200163-Up; Model PC128UU-1; Model Ser. No. 1001-Up
 S4D102E; Build Series 1V; Eng. Ser. No. 26200163-Up; Model PC128US-2; Model Ser. No. 5001-Up
 S4D102E; Build Series 1V; Eng. Ser. No. 26200163-Up; Model PC128UU-2; Model Ser. No. 5001-Up
 S4D102E; Build Series 1V; Eng. Ser. No. 26200163-Up; Model PC138USLC-2; Model Ser. No. 1001-Up
 S4D102E; Build Series 1V; Eng. Ser. No. 26200163-Up; Model PC158USEL-2; Model Ser. No. 10001-Up
 S4D102E; Build Series 1V; Eng. Ser. No. 26200163-Up; Model PC158USLC-2-WI; Model Ser. No. 10001-Up

CAMSHAFT GROUP

QTY	CAMSHAFT/LIFTER	PART NO.	SIZE	DESCRIPTION
8	Lifter	FP-6732-41-2112		

COOLING SYSTEM

QTY	THERMOSTAT	PART NO.	SIZE	DESCRIPTION
1	O-Ring	FP-6732-61-6240		
1	Thermostat	FP-6732-61-1620		
QTY	WATER PUMP	PART NO.	SIZE	DESCRIPTION
1	Water Pump - Heavy Duty	FP-6736-61-1202		

CRANKSHAFT/OIL PUMP

QTY	CRANKSHAFT	PART NO.	SIZE	DESCRIPTION
1	Crankshaft	FP-6732-31-1100		
QTY	MAIN BEARINGS	PART NO.	SIZE	DESCRIPTION
1	Main Bearing Set	FP-6732-29-8110	STD	
1	Main Bearing Set	FP-6732-28-8100	.25MM	
1	Main Bearing Set	FP-6732-27-8100	.50MM	
1	Main Bearing Set	FP-6732-26-8100	.75MM	
1	Main Bearing Set	FP-6732-25-8100	1.00MM	
1	Thrust Washer	FP-6731-21-8610	.50MM	
1	Thrust Washer	FP-6736-28-8700	1.00MM	
QTY	OIL PUMP	PART NO.	SIZE	DESCRIPTION
1	Oil Pump	FP-6732-51-1112		
QTY	SEALS - FRONT CRANK	PART NO.	SIZE	DESCRIPTION
1	Oil Seal	FP-6731-21-4220		
1	Oil Seal Kit	FP-6736-39-1221		
QTY	SEALS - REAR CRANK	PART NO.	SIZE	DESCRIPTION
1	Oil Seal	FP-6735-K2-3001		
1	Oil Seal	FP-6736-39-1130		Wet housing
1	Oil Seal Kit	FP-6736-39-1140		Dry housing

CYL. HEAD & PARTS

QTY	GASKETS	PART NO.	SIZE	DESCRIPTION
1	Head Gasket	FP-6732-11-1151		
1	Head Gasket Set	FP-6731-11-9990		
4	Valve Cover Gasket	FP-6732-11-8181		
QTY	VALVE	PART NO.	SIZE	DESCRIPTION
16	Valve Keeper	FP-6732-41-4520		Int. & Exh.
4	Valve, Exhaust	FP-6736-41-4210		
4	Valve, Intake	FP-6736-41-4110		
QTY	VALVE GUIDE	PART NO.	SIZE	DESCRIPTION
8	Valve Guide	FP-6736-18-1310		Int. & Exh.; Thin wall
4	Valve Guide	FP-6736-19-1310		Int.; Thick wall, 60.50MM
4	Valve Guide	FP-6736-19-1410		Exh.; Thick wall, 51.75MM
QTY	VALVE SEAL	PART NO.	SIZE	DESCRIPTION
8	Valve Stem Seal	FP-6732-41-4540		Int. & Exh.
QTY	VALVE SEAT	PART NO.	SIZE	DESCRIPTION
4	Valve Seat	FP-6732-11-1170		Exh.
4	Valve Seat	FP-6732-11-1180		Int.
QTY	VALVE SPRING	PART NO.	SIZE	DESCRIPTION
8	Valve Spring	FP-6732-41-4430		

(continued on next page)

17 3.9L 239 OHV L4, 4.0197" Bore				
(cont.)				
CYL. HEAD & PARTS (cont.)				
QTY	VALVE SPRING (cont.)	PART NO.	SIZE	DESCRIPTION
8	Valve Spring Seat	FP-6732-41-4510		Upper
CYLINDER COMPONENTS				
QTY	CONNECTING RODS & BRGS.	PART NO.	SIZE	DESCRIPTION
8	Rod Bearing Half Upper/Lower	FP-6732-31-3411	STD	
8	Rod Bearing Half Upper/Lower	FP-6736-39-3400	.25MM	
8	Rod Bearing Half Upper/Lower	FP-6736-38-3400	.50MM	
8	Rod Bearing Half Upper/Lower	FP-6736-37-3400	.75MM	
8	Rod Bearing Half Upper/Lower	FP-6736-36-3400	1.00MM	
QTY	LINERS	PART NO.	SIZE	DESCRIPTION
4	Liner w/o Sealing Ring	FP-6736-29-2110		
QTY	PISTON RINGS	PART NO.	SIZE	DESCRIPTION
4	Ring Set, Single Cylinder	FP-6738-31-2031	STD	
QTY	PISTONS	PART NO.	SIZE	DESCRIPTION
4	Piston Body w/o Pin	FP-6735-31-2111	STD	
4	Piston Pin	FP-6731-31-2410		
4	Piston Pin Bushing	FP-6732-31-3131		
8	Piston Pin Retainer	FP-6732-31-2420		
4	Piston w/Retainer & Rings	FP-6735-31-2140	STD	
ENGINE BLOCK & PARTS				
QTY	CAM BEARINGS	PART NO.	SIZE	DESCRIPTION
1	Camshaft Bearing	FP-6736-29-1410		1; O/S
4	Camshaft Bearing	FP-6736-29-1420		2-3-4-5; O/S
1	Camshaft Bearing	FP-6732-21-1410	STD	Narrow
1	Camshaft Bearing	FP-6732-21-1411	STD	Wide
QTY	GASKET SETS	PART NO.	SIZE	DESCRIPTION
1	Conversion Gasket Set	FP-6732-01-1140		
QTY	GASKETS	PART NO.	SIZE	DESCRIPTION
1	Chemicals	FP-1816593		Oil pan; RTV Sealant
FUEL SYSTEM & PARTS				
QTY	FUEL INJECTION	PART NO.	SIZE	DESCRIPTION
4	Fuel Injector - New	FP-6732-11-3220		
4	Fuel Injector Nozzle	FP-6732-11-3230		
INT & EXH MANIFOLDS				
QTY	INT. & EXH. MANIFOLDS	PART NO.	SIZE	DESCRIPTION
4	Exhaust Manifold Gasket	FP-6736-11-5810		
1	Intake Manifold Gasket	FP-6733-11-4861		
18 3.9L 239 OHV L4, 4.0197" Bore				
Excavator				
S4D102E; Build Series 1B; Eng. Ser. No. 26200282-Up; Model PC60-7; Model Ser. No. 45001-Up				
S4D102E; Build Series 1B; Eng. Ser. No. 26200282-Up; Model PC60-7B; Model Ser. No. 45001-Up				
CAMSHAFT GROUP				
QTY	CAMSHAFT/LIFTER	PART NO.	SIZE	DESCRIPTION
8	Lifter	FP-6732-41-2112		
COOLING SYSTEM				
QTY	THERMOSTAT	PART NO.	SIZE	DESCRIPTION
1	O-Ring	FP-6732-61-6240		
1	Thermostat	FP-6732-61-1620		
QTY	WATER PUMP	PART NO.	SIZE	DESCRIPTION
1	Water Pump - Heavy Duty	FP-6736-61-1202		
CRANKSHAFT/OIL PUMP				
QTY	CRANKSHAFT	PART NO.	SIZE	DESCRIPTION
1	Crankshaft	FP-6732-31-1100		
QTY	MAIN BEARINGS	PART NO.	SIZE	DESCRIPTION
1	Main Bearing Set	FP-6732-29-8110	STD	
1	Main Bearing Set	FP-6732-28-8100	.25MM	
1	Main Bearing Set	FP-6732-27-8100	.50MM	
1	Main Bearing Set	FP-6732-26-8100	.75MM	

(continued on next page)

3.9L 239 OHV L4, 4.0197" Bore 18
(cont.)

CRANKSHAFT/OIL PUMP (cont.)

QTY	MAIN BEARINGS (cont.)	PART NO.	SIZE	DESCRIPTION
1	Main Bearing Set	FP-6732-25-8100	1.00MM	
1	Thrust Washer	FP-6731-21-8610	.50MM	
1	Thrust Washer	FP-6736-28-8700	1.00MM	
QTY	OIL PUMP	PART NO.	SIZE	DESCRIPTION
1	Oil Pump	FP-6732-51-1112		
QTY	SEALS - FRONT CRANK	PART NO.	SIZE	DESCRIPTION
1	Oil Seal	FP-6731-21-4220		
1	Oil Seal Kit	FP-6736-39-1221		
QTY	SEALS - REAR CRANK	PART NO.	SIZE	DESCRIPTION
1	Oil Seal	FP-6735-K2-3001		
1	Oil Seal	FP-6736-39-1130		Wet housing
1	Oil Seal Kit	FP-6736-39-1140		Dry housing

CYL. HEAD & PARTS

QTY	GASKETS	PART NO.	SIZE	DESCRIPTION
1	Head Gasket	FP-6732-11-1151		
1	Head Gasket Set	FP-6731-11-9990		
4	Valve Cover Gasket	FP-6732-11-8181		
QTY	VALVE	PART NO.	SIZE	DESCRIPTION
16	Valve Keeper	FP-6732-41-4520		Int. & Exh.
4	Valve, Exhaust	FP-6736-41-4210		
4	Valve, Intake	FP-6736-41-4110		
QTY	VALVE GUIDE	PART NO.	SIZE	DESCRIPTION
8	Valve Guide	FP-6736-18-1310		Int. & Exh.; Thin wall
4	Valve Guide	FP-6736-19-1310		Int.; Thick wall, 60.50MM
4	Valve Guide	FP-6736-19-1410		Exh.; Thick wall, 51.75MM
QTY	VALVE SEAL	PART NO.	SIZE	DESCRIPTION
8	Valve Stem Seal	FP-6732-41-4540		Int. & Exh.
QTY	VALVE SEAT	PART NO.	SIZE	DESCRIPTION
4	Valve Seat	FP-6732-11-1170		Exh.
4	Valve Seat	FP-6732-11-1180		Int.
QTY	VALVE SPRING	PART NO.	SIZE	DESCRIPTION
8	Valve Spring	FP-6732-41-4430		
8	Valve Spring Seat	FP-6732-41-4510		Upper

CYLINDER COMPONENTS

QTY	CONNECTING RODS & BRGS.	PART NO.	SIZE	DESCRIPTION
8	Rod Bearing Half Upper/Lower	FP-6732-31-3411	STD	
8	Rod Bearing Half Upper/Lower	FP-6736-39-3400	.25MM	
8	Rod Bearing Half Upper/Lower	FP-6736-38-3400	.50MM	
8	Rod Bearing Half Upper/Lower	FP-6736-37-3400	.75MM	
8	Rod Bearing Half Upper/Lower	FP-6736-36-3400	1.00MM	
QTY	LINERS	PART NO.	SIZE	DESCRIPTION
4	Liner w/o Sealing Ring	FP-6736-29-2110		
QTY	PISTON RINGS	PART NO.	SIZE	DESCRIPTION
4	Ring Set, Single Cylinder	FP-6738-31-2031	STD	
QTY	PISTONS	PART NO.	SIZE	DESCRIPTION
4	Piston Body w/o Pin	FP-6735-31-2111	STD	
4	Piston Pin	FP-6731-31-2410		
4	Piston Pin Bushing	FP-6732-31-3131		
8	Piston Pin Retainer	FP-6732-31-2420		
4	Piston w/Retainer & Rings	FP-6735-31-2140	STD	

ENGINE BLOCK & PARTS

QTY	CAM BEARINGS	PART NO.	SIZE	DESCRIPTION
1	Camshaft Bearing	FP-6736-29-1410		1; O/S
4	Camshaft Bearing	FP-6736-29-1420		2-3-4-5; O/S
1	Camshaft Bearing	FP-6732-21-1410	STD	Narrow
1	Camshaft Bearing	FP-6732-21-1411	STD	Wide
QTY	GASKET SETS	PART NO.	SIZE	DESCRIPTION
1	Conversion Gasket Set	FP-6732-01-1140		
QTY	GASKETS	PART NO.	SIZE	DESCRIPTION
1	Chemicals	FP-1816593		Oil pan; RTV Sealant

(continued on next page)

18 3.9L 239 OHV L4, 4.0197" Bore				
FUEL SYSTEM & PARTS				
QTY	FUEL INJECTION	PART NO.	SIZE	DESCRIPTION
4	Fuel Injector - New	FP-6732-11-3250		
4	Fuel Injector Nozzle	FP-6732-11-3260		
INT & EXH MANIFOLDS				
QTY	INT. & EXH. MANIFOLDS	PART NO.	SIZE	DESCRIPTION
4	Exhaust Manifold Gasket	FP-6736-11-5810		
1	Intake Manifold Gasket	FP-6733-11-4861		
19 3.9L 239 OHV L4, 4.0197" Bore				
<i>Excavator</i>				
S4D102E; Build Series 1AA; Eng. Ser. No. 26213103-Up; Model PW130ES-6K; Model Ser. No. K30545-Up				
CAMSHAFT GROUP				
QTY	CAMSHAFT/LIFTER	PART NO.	SIZE	DESCRIPTION
8	Lifter	FP-6732-41-2112		
COOLING SYSTEM				
QTY	THERMOSTAT	PART NO.	SIZE	DESCRIPTION
1	O-Ring	FP-6732-61-6240		
1	Thermostat	FP-6732-61-1620		
QTY	WATER PUMP	PART NO.	SIZE	DESCRIPTION
1	Water Pump - Heavy Duty	FP-6736-61-1202		
CRANKSHAFT/OIL PUMP				
QTY	CRANKSHAFT	PART NO.	SIZE	DESCRIPTION
1	Crankshaft	FP-6732-31-1100		
QTY	MAIN BEARINGS	PART NO.	SIZE	DESCRIPTION
1	Main Bearing Set	FP-6732-29-8110		STD
1	Main Bearing Set	FP-6732-28-8100		.25MM
1	Main Bearing Set	FP-6732-27-8100		.50MM
1	Main Bearing Set	FP-6732-26-8100		.75MM
1	Main Bearing Set	FP-6732-25-8100		1.00MM
1	Thrust Washer	FP-6731-21-8610		.50MM
1	Thrust Washer	FP-6736-28-8700		1.00MM
QTY	OIL PUMP	PART NO.	SIZE	DESCRIPTION
1	Oil Pump	FP-6732-51-1112		
QTY	SEALS - FRONT CRANK	PART NO.	SIZE	DESCRIPTION
1	Oil Seal	FP-6731-21-4220		
1	Oil Seal Kit	FP-6736-39-1221		
QTY	SEALS - REAR CRANK	PART NO.	SIZE	DESCRIPTION
1	Oil Seal	FP-6735-K2-3001		
1	Oil Seal	FP-6736-39-1130		Wet housing
1	Oil Seal Kit	FP-6736-39-1140		Dry housing
CYL. HEAD & PARTS				
QTY	GASKETS	PART NO.	SIZE	DESCRIPTION
1	Head Gasket	FP-6732-11-1151		
1	Head Gasket Set	FP-6731-11-9990		
4	Valve Cover Gasket	FP-6732-11-8181		
QTY	VALVE	PART NO.	SIZE	DESCRIPTION
16	Valve Keeper	FP-6732-41-4520		Int. & Exh.
4	Valve, Exhaust	FP-6736-41-4210		
4	Valve, Intake	FP-6736-41-4110		
QTY	VALVE GUIDE	PART NO.	SIZE	DESCRIPTION
8	Valve Guide	FP-6736-18-1310		Int. & Exh.; Thin wall
4	Valve Guide	FP-6736-19-1310		Int.; Thick wall, 60.50MM
4	Valve Guide	FP-6736-19-1410		Exh.; Thick wall, 51.75MM
QTY	VALVE SEAL	PART NO.	SIZE	DESCRIPTION
8	Valve Stem Seal	FP-6732-41-4540		Int. & Exh.
QTY	VALVE SEAT	PART NO.	SIZE	DESCRIPTION
4	Valve Seat	FP-6732-11-1170		Exh.
4	Valve Seat	FP-6732-11-1180		Int.
QTY	VALVE SPRING	PART NO.	SIZE	DESCRIPTION
8	Valve Spring	FP-6732-41-4430		
8	Valve Spring Seat	FP-6732-41-4510		Upper

(continued on next page)

3.9L 239 OHV L4, 4.0197" Bore **19** (cont.)

CYLINDER COMPONENTS

CONNECTING RODS & BRGS.				
QTY		PART NO.	SIZE	DESCRIPTION
8	Rod Bearing Half Upper/Lower	FP-6732-31-3411	STD	
8	Rod Bearing Half Upper/Lower	FP-6736-39-3400	.25MM	
8	Rod Bearing Half Upper/Lower	FP-6736-38-3400	.50MM	
8	Rod Bearing Half Upper/Lower	FP-6736-37-3400	.75MM	
8	Rod Bearing Half Upper/Lower	FP-6736-36-3400	1.00MM	
LINERS				
QTY		PART NO.	SIZE	DESCRIPTION
4	Liner w/o Sealing Ring	FP-6736-29-2110		
PISTON RINGS				
QTY		PART NO.	SIZE	DESCRIPTION
4	Ring Set, Single Cylinder	FP-6738-31-2031	STD	
PISTONS				
QTY		PART NO.	SIZE	DESCRIPTION
4	Piston Body w/o Pin	FP-6735-31-2111	STD	
4	Piston Pin	FP-6731-31-2410		
4	Piston Pin Bushing	FP-6732-31-3131		
8	Piston Pin Retainer	FP-6732-31-2420		
4	Piston w/Retainer & Rings	FP-6735-31-2140	STD	

ENGINE BLOCK & PARTS

CAM BEARINGS				
QTY		PART NO.	SIZE	DESCRIPTION
1	Camshaft Bearing	FP-6736-29-1410		1; O/S
4	Camshaft Bearing	FP-6736-29-1420		2-3-4-5; O/S
1	Camshaft Bearing	FP-6732-21-1410	STD	Narrow
1	Camshaft Bearing	FP-6732-21-1411	STD	Wide
GASKET SETS				
QTY		PART NO.	SIZE	DESCRIPTION
1	Conversion Gasket Set	FP-6732-01-1140		
GASKETS				
QTY		PART NO.	SIZE	DESCRIPTION
1	Chemicals	FP-1816593		Oil pan; RTV Sealant

FUEL SYSTEM & PARTS

FUEL INJECTION				
QTY		PART NO.	SIZE	DESCRIPTION
4	Fuel Injector - New	FP-6733-11-3100		
4	Fuel Injector Nozzle	FP-6735-11-3160		

INT & EXH MANIFOLDS

INT. & EXH. MANIFOLDS				
QTY		PART NO.	SIZE	DESCRIPTION
4	Exhaust Manifold Gasket	FP-6736-11-5810		
1	Intake Manifold Gasket	FP-6733-11-4861		

3.9L 239 OHV L4, 4.0197" Bore **20** Excavator

SA4D102E; Build Series 1AE; Eng. Ser. No. 26213103-Up; Model PC150LGP-6K; Model Ser. No. K35001-Up

CAMSHAFT GROUP

CAMSHAFT/LIFTER				
QTY		PART NO.	SIZE	DESCRIPTION
8	Lifter	FP-6732-41-2112		

COOLING SYSTEM

THERMOSTAT				
QTY		PART NO.	SIZE	DESCRIPTION
1	O-Ring	FP-6732-61-6240		
1	Thermostat	FP-6732-61-1620		
WATER PUMP				
QTY		PART NO.	SIZE	DESCRIPTION
1	Water Pump - Heavy Duty	FP-6736-61-1202		

CRANKSHAFT/OIL PUMP

CRANKSHAFT				
QTY		PART NO.	SIZE	DESCRIPTION
1	Crankshaft	FP-6732-31-1100		
MAIN BEARINGS				
QTY		PART NO.	SIZE	DESCRIPTION
1	Main Bearing Set	FP-6732-29-8110	STD	
1	Main Bearing Set	FP-6732-28-8100	.25MM	
1	Main Bearing Set	FP-6732-27-8100	.50MM	
1	Main Bearing Set	FP-6732-26-8100	.75MM	
1	Main Bearing Set	FP-6732-25-8100	1.00MM	
1	Thrust Washer	FP-6731-21-8610	.50MM	
1	Thrust Washer	FP-6736-28-8700	1.00MM	

(continued on next page)

20 3.9L 239 OHV L4, 4.0197" Bore				
(cont.)				
CRANKSHAFT/OIL PUMP (cont.)				
QTY	OIL PUMP	PART NO.	SIZE	DESCRIPTION
1	Oil Pump	FP-6732-51-1112		
QTY	SEALS - FRONT CRANK	PART NO.	SIZE	DESCRIPTION
1	Oil Seal	FP-6731-21-4220		
1	Oil Seal Kit	FP-6736-39-1221		
QTY	SEALS - REAR CRANK	PART NO.	SIZE	DESCRIPTION
1	Oil Seal	FP-6735-K2-3001		
1	Oil Seal	FP-6736-39-1130		Wet housing
1	Oil Seal Kit	FP-6736-39-1140		Dry housing
CYL. HEAD & PARTS				
QTY	GASKETS	PART NO.	SIZE	DESCRIPTION
1	Head Gasket	FP-6732-11-1151		
1	Head Gasket Set	FP-6731-11-9990		
4	Valve Cover Gasket	FP-6732-11-8181		
QTY	VALVE	PART NO.	SIZE	DESCRIPTION
16	Valve Keeper	FP-6732-41-4520		Int. & Exh.
4	Valve, Exhaust	FP-6736-41-4210		
4	Valve, Intake	FP-6736-41-4110		
QTY	VALVE GUIDE	PART NO.	SIZE	DESCRIPTION
8	Valve Guide	FP-6736-18-1310		Int. & Exh.; Thin wall
4	Valve Guide	FP-6736-19-1310		Int.; Thick wall, 60.50MM
4	Valve Guide	FP-6736-19-1410		Exh.; Thick wall, 51.75MM
QTY	VALVE SEAL	PART NO.	SIZE	DESCRIPTION
8	Valve Stem Seal	FP-6732-41-4540		Int. & Exh.
QTY	VALVE SEAT	PART NO.	SIZE	DESCRIPTION
4	Valve Seat	FP-6732-11-1170		Exh.
4	Valve Seat	FP-6732-11-1180		Int.
QTY	VALVE SPRING	PART NO.	SIZE	DESCRIPTION
8	Valve Spring	FP-6732-41-4430		
8	Valve Spring Seat	FP-6732-41-4510		Upper
CYLINDER COMPONENTS				
QTY	CONNECTING RODS & BRGS.	PART NO.	SIZE	DESCRIPTION
8	Rod Bearing Half Upper/Lower	FP-6732-31-3411	STD	
8	Rod Bearing Half Upper/Lower	FP-6736-39-3400	.25MM	
8	Rod Bearing Half Upper/Lower	FP-6736-38-3400	.50MM	
8	Rod Bearing Half Upper/Lower	FP-6736-37-3400	.75MM	
8	Rod Bearing Half Upper/Lower	FP-6736-36-3400	1.00MM	
QTY	LINERS	PART NO.	SIZE	DESCRIPTION
4	Liner w/o Sealing Ring	FP-6736-29-2110		
QTY	PISTON RINGS	PART NO.	SIZE	DESCRIPTION
4	Ring Set, Single Cylinder	FP-6738-31-2031	STD	
QTY	PISTONS	PART NO.	SIZE	DESCRIPTION
4	Piston Body w/o Pin	FP-6735-31-2111	STD	
4	Piston Pin	FP-6731-31-2410		
4	Piston Pin Bushing	FP-6732-31-3131		
8	Piston Pin Retainer	FP-6732-31-2420		
4	Piston w/Retainer & Rings	FP-6735-31-2140	STD	
ENGINE BLOCK & PARTS				
QTY	CAM BEARINGS	PART NO.	SIZE	DESCRIPTION
1	Camshaft Bearing	FP-6736-29-1410		1; O/S
4	Camshaft Bearing	FP-6736-29-1420		2-3-4-5; O/S
1	Camshaft Bearing	FP-6732-21-1410	STD	Narrow
1	Camshaft Bearing	FP-6732-21-1411	STD	Wide
QTY	GASKET SETS	PART NO.	SIZE	DESCRIPTION
1	Conversion Gasket Set	FP-6732-01-1140		
QTY	GASKETS	PART NO.	SIZE	DESCRIPTION
1	Chemicals	FP-1816593		Oil pan; RTV Sealant
FUEL SYSTEM & PARTS				
QTY	FUEL INJECTION	PART NO.	SIZE	DESCRIPTION
4	Fuel Injector - New	FP-6732-11-3220		

(continued on next page)

3.9L 239 OHV L4, 4.0197" Bore 20
(cont.)

FUEL SYSTEM & PARTS (cont.)

QTY	FUEL INJECTION (cont.)	PART NO.	SIZE	DESCRIPTION
4	Fuel Injector Nozzle	FP-6732-11-3230		

INT & EXH MANIFOLDS

QTY	INT. & EXH. MANIFOLDS	PART NO.	SIZE	DESCRIPTION
4	Exhaust Manifold Gasket	FP-6736-11-5810		
1	Intake Manifold Gasket	FP-6733-11-4861		

3.9L 239 OHV L4, 4.0197" Bore 21
Excavator

SA4D102E; Build Series 1AA; Eng. Ser. No. 21240928-Up; Model PC150-6K; Model Ser. No. K30001-Up
 SA4D102E; Build Series 1AA; Eng. Ser. No. 21240928-Up; Model PC150LC-6K; Model Ser. No. K30001-Up
 SA4D102E; Build Series 1AA; Eng. Ser. No. 21240928-Up; Model PC160-6K; Model Ser. No. K30001-Up
 SA4D102E; Build Series 1AA; Eng. Ser. No. 21240928-Up; Model PC180LC-6K; Model Ser. No. K30001-Up
 SA4D102E; Build Series 1AA; Eng. Ser. No. 21240928-Up; Model PC180NLC-6K; Model Ser. No. K30001-Up
 SA4D102E; Build Series 1AC; Eng. Ser. No. 21240928-Up; Model PW150ES-6K; Model Ser. No. K30001-Up

CAMSHAFT GROUP

QTY	CAMSHAFT/LIFTER	PART NO.	SIZE	DESCRIPTION
8	Lifter	FP-6732-41-2112		

COOLING SYSTEM

QTY	THERMOSTAT	PART NO.	SIZE	DESCRIPTION
1	O-Ring	FP-6732-61-6240		
1	Thermostat	FP-6732-61-1620		Eng. Ser. No. 26200163-Up
1	Thermostat	FP-6735-61-1690		Up to Eng. Ser No. 26200162

QTY	WATER PUMP	PART NO.	SIZE	DESCRIPTION
1	Water Pump - Heavy Duty	FP-6736-61-1202		

CRANKSHAFT/OIL PUMP

QTY	CRANKSHAFT	PART NO.	SIZE	DESCRIPTION
1	Crankshaft	FP-6732-31-1100		

QTY	MAIN BEARINGS	PART NO.	SIZE	DESCRIPTION
1	Main Bearing Set	FP-6732-29-8110		STD
1	Main Bearing Set	FP-6732-28-8100		.25MM
1	Main Bearing Set	FP-6732-27-8100		.50MM
1	Main Bearing Set	FP-6732-26-8100		.75MM
1	Main Bearing Set	FP-6732-25-8100		1.00MM
1	Thrust Washer	FP-6731-21-8610		.50MM
1	Thrust Washer	FP-6736-28-8700		1.00MM

QTY	OIL PUMP	PART NO.	SIZE	DESCRIPTION
1	Oil Pump	FP-6732-51-1112		

QTY	SEALS - FRONT CRANK	PART NO.	SIZE	DESCRIPTION
1	Oil Seal	FP-6731-21-4220		
1	Oil Seal Kit	FP-6736-39-1221		

QTY	SEALS - REAR CRANK	PART NO.	SIZE	DESCRIPTION
1	Oil Seal	FP-6735-K2-3001		
1	Oil Seal	FP-6736-39-1130		Wet housing
1	Oil Seal Kit	FP-6736-39-1140		Dry housing

CYL. HEAD & PARTS

QTY	GASKETS	PART NO.	SIZE	DESCRIPTION
1	Head Gasket	FP-6732-11-1151		
1	Head Gasket Set	FP-6731-11-9990		
4	Valve Cover Gasket	FP-6732-11-8181		

QTY	VALVE	PART NO.	SIZE	DESCRIPTION
16	Valve Keeper	FP-6732-41-4520		Int. & Exh.
4	Valve, Exhaust	FP-6736-41-4210		
4	Valve, Intake	FP-6736-41-4110		

QTY	VALVE GUIDE	PART NO.	SIZE	DESCRIPTION
8	Valve Guide	FP-6736-18-1310		Int. & Exh.; Thin wall
4	Valve Guide	FP-6736-19-1310		Int.; Thick wall, 60.50MM
4	Valve Guide	FP-6736-19-1410		Exh.; Thick wall, 51.75MM

QTY	VALVE SEAL	PART NO.	SIZE	DESCRIPTION
8	Valve Stem Seal	FP-6732-41-4540		Int. & Exh.

(continued on next page)

21 3.9L 239 OHV L4, 4.0197" Bore				
(cont.)				
CYL. HEAD & PARTS (cont.)				
QTY	VALVE SEAT	PART NO.	SIZE	DESCRIPTION
4	Valve Seat	FP-6732-11-1170		Exh.
4	Valve Seat	FP-6732-11-1180		Int.
QTY	VALVE SPRING	PART NO.	SIZE	DESCRIPTION
8	Valve Spring	FP-6732-41-4430		
8	Valve Spring Seat	FP-6732-41-4510		Upper
CYLINDER COMPONENTS				
QTY	CONNECTING RODS & BRGS.	PART NO.	SIZE	DESCRIPTION
8	Rod Bearing Half Upper/Lower	FP-6732-31-3411	STD	
8	Rod Bearing Half Upper/Lower	FP-6736-39-3400	.25MM	
8	Rod Bearing Half Upper/Lower	FP-6736-38-3400	.50MM	
8	Rod Bearing Half Upper/Lower	FP-6736-37-3400	.75MM	
8	Rod Bearing Half Upper/Lower	FP-6736-36-3400	1.00MM	
QTY	LINERS	PART NO.	SIZE	DESCRIPTION
4	Liner w/o Sealing Ring	FP-6736-29-2110		
QTY	PISTON RINGS	PART NO.	SIZE	DESCRIPTION
4	Ring Set, Single Cylinder	FP-6738-31-2031	STD	
QTY	PISTONS	PART NO.	SIZE	DESCRIPTION
4	Piston Body w/o Pin	FP-6735-31-2111	STD	
4	Piston Pin	FP-6731-31-2410		
4	Piston Pin Bushing	FP-6732-31-3131		
8	Piston Pin Retainer	FP-6732-31-2420		
4	Piston w/Retainer & Rings	FP-6735-31-2140	STD	
ENGINE BLOCK & PARTS				
QTY	CAM BEARINGS	PART NO.	SIZE	DESCRIPTION
1	Camshaft Bearing	FP-6736-29-1410		1; O/S
4	Camshaft Bearing	FP-6736-29-1420		2-3-4-5; O/S
1	Camshaft Bearing	FP-6732-21-1410	STD	Narrow
1	Camshaft Bearing	FP-6732-21-1411	STD	Wide
QTY	GASKET SETS	PART NO.	SIZE	DESCRIPTION
1	Conversion Gasket Set	FP-6732-01-1140		
QTY	GASKETS	PART NO.	SIZE	DESCRIPTION
1	Chemicals	FP-1816593		Oil pan; RTV Sealant
FUEL SYSTEM & PARTS				
QTY	FUEL INJECTION	PART NO.	SIZE	DESCRIPTION
4	Fuel Injector - New	FP-6733-11-3100		
4	Fuel Injector Nozzle	FP-6735-11-3160		
INT & EXH MANIFOLDS				
QTY	INT. & EXH. MANIFOLDS	PART NO.	SIZE	DESCRIPTION
4	Exhaust Manifold Gasket	FP-6736-11-5810		
1	Intake Manifold Gasket	FP-6733-11-4861		
22 3.9L 239 OHV L4, 4.0197" Bore				
Excavator				
SA4D102E; Build Series 1AB; Eng. Ser. No. 21240928-Up; Model PW170ES-6K-KA; Model Ser. No. K30001-Up				
SA4D102E; Build Series 1AB; Eng. Ser. No. 24271444-Up; Model PW170ES-6K; Model Ser. No. K30001-Up				
CAMSHAFT GROUP				
QTY	CAMSHAFT/LIFTER	PART NO.	SIZE	DESCRIPTION
8	Lifter	FP-6732-41-2112		
COOLING SYSTEM				
QTY	THERMOSTAT	PART NO.	SIZE	DESCRIPTION
1	O-Ring	FP-6732-61-6240		
1	Thermostat	FP-6735-61-1690		
QTY	WATER PUMP	PART NO.	SIZE	DESCRIPTION
1	Water Pump - Heavy Duty	FP-6736-61-1202		
CRANKSHAFT/OIL PUMP				
QTY	CRANKSHAFT	PART NO.	SIZE	DESCRIPTION
1	Crankshaft	FP-6732-31-1100		

(continued on next page)

3.9L 239 OHV L4, 4.0197" Bore **22**
(cont.)

CRANKSHAFT/OIL PUMP (cont.)

QTY	MAIN BEARINGS	PART NO.	SIZE	DESCRIPTION
1	Main Bearing Set	FP-6732-29-8110	STD	
1	Main Bearing Set	FP-6732-28-8100	.25MM	
1	Main Bearing Set	FP-6732-27-8100	.50MM	
1	Main Bearing Set	FP-6732-26-8100	.75MM	
1	Main Bearing Set	FP-6732-25-8100	1.00MM	
1	Thrust Washer	FP-6731-21-8610	.50MM	
1	Thrust Washer	FP-6736-28-8700	1.00MM	
QTY	OIL PUMP	PART NO.	SIZE	DESCRIPTION
1	Oil Pump	FP-6732-51-1112		
QTY	SEALS - FRONT CRANK	PART NO.	SIZE	DESCRIPTION
1	Oil Seal	FP-6731-21-4220		
1	Oil Seal Kit	FP-6736-39-1221		
QTY	SEALS - REAR CRANK	PART NO.	SIZE	DESCRIPTION
1	Oil Seal	FP-6735-K2-3001		
1	Oil Seal	FP-6736-39-1130		Wet housing
1	Oil Seal Kit	FP-6736-39-1140		Dry housing

CYL. HEAD & PARTS

QTY	GASKETS	PART NO.	SIZE	DESCRIPTION
1	Head Gasket	FP-6732-11-1151		
1	Head Gasket Set	FP-6731-11-9990		
4	Valve Cover Gasket	FP-6732-11-8181		
QTY	VALVE	PART NO.	SIZE	DESCRIPTION
16	Valve Keeper	FP-6732-41-4520		Int. & Exh.
4	Valve, Exhaust	FP-6736-41-4210		
4	Valve, Intake	FP-6736-41-4110		
QTY	VALVE GUIDE	PART NO.	SIZE	DESCRIPTION
8	Valve Guide	FP-6736-18-1310		Int. & Exh.; Thin wall
4	Valve Guide	FP-6736-19-1310		Int.; Thick wall, 60.50MM
4	Valve Guide	FP-6736-19-1410		Exh.; Thick wall, 51.75MM
QTY	VALVE SEAL	PART NO.	SIZE	DESCRIPTION
8	Valve Stem Seal	FP-6732-41-4540		Int. & Exh.
QTY	VALVE SEAT	PART NO.	SIZE	DESCRIPTION
4	Valve Seat	FP-6732-11-1170		Exh.
4	Valve Seat	FP-6732-11-1180		Int.
QTY	VALVE SPRING	PART NO.	SIZE	DESCRIPTION
8	Valve Spring	FP-6732-41-4430		
8	Valve Spring Seat	FP-6732-41-4510		Upper

CYLINDER COMPONENTS

QTY	CONNECTING RODS & BRGS.	PART NO.	SIZE	DESCRIPTION
8	Rod Bearing Half Upper/Lower	FP-6732-31-3411	STD	
8	Rod Bearing Half Upper/Lower	FP-6736-39-3400	.25MM	
8	Rod Bearing Half Upper/Lower	FP-6736-38-3400	.50MM	
8	Rod Bearing Half Upper/Lower	FP-6736-37-3400	.75MM	
8	Rod Bearing Half Upper/Lower	FP-6736-36-3400	1.00MM	
QTY	LINERS	PART NO.	SIZE	DESCRIPTION
4	Liner w/o Sealing Ring	FP-6736-29-2110		
QTY	PISTON RINGS	PART NO.	SIZE	DESCRIPTION
4	Ring Set, Single Cylinder	FP-6732-31-2280		
QTY	PISTONS	PART NO.	SIZE	DESCRIPTION
4	Piston Body w/o Pin	FP-6733-31-2120	STD	
4	Piston Pin	FP-6731-31-2410		
4	Piston Pin Bushing	FP-6732-31-3131		
8	Piston Pin Retainer	FP-6732-31-2420		
4	Piston With Retainers	FP-6733-31-2110	STD	

ENGINE BLOCK & PARTS

QTY	CAM BEARINGS	PART NO.	SIZE	DESCRIPTION
1	Camshaft Bearing	FP-6736-29-1410		1; O/S
4	Camshaft Bearing	FP-6736-29-1420		2-3-4-5; O/S
1	Camshaft Bearing	FP-6732-21-1411	STD	Wide

(continued on next page)

22 3.9L 239 OHV L4, 4.0197" Bore (cont.)				
ENGINE BLOCK & PARTS (cont.)				
QTY	GASKET SETS	PART NO.	SIZE	DESCRIPTION
1	Conversion Gasket Set	FP-6732-01-1140		
QTY	GASKETS	PART NO.	SIZE	DESCRIPTION
1	Chemicals	FP-1816593		Oil pan; RTV Sealant
FUEL SYSTEM & PARTS				
QTY	FUEL INJECTION	PART NO.	SIZE	DESCRIPTION
4	Fuel Injector - New	FP-6733-11-3110		
INT & EXH MANIFOLDS				
QTY	INT. & EXH. MANIFOLDS	PART NO.	SIZE	DESCRIPTION
4	Exhaust Manifold Gasket	FP-6736-11-5810		
1	Intake Manifold Gasket	FP-6733-11-4861		
23 3.9L 239 OHV L4, 4.0197" Bore <i>Excavator</i> SAA4D102E; Build Series 2E-4; Eng. Ser. No. 26277757-Up; Model PC160LC-7; Model Ser. No. 10001-Up				
CAMSHAFT GROUP				
QTY	CAMSHAFT/LIFTER	PART NO.	SIZE	DESCRIPTION
8	Lifter	FP-6732-41-2112		
COOLING SYSTEM				
QTY	THERMOSTAT	PART NO.	SIZE	DESCRIPTION
1	O-Ring	FP-6732-61-6240		
1	Thermostat	FP-6732-61-1620		
QTY	WATER PUMP	PART NO.	SIZE	DESCRIPTION
1	Water Pump - Heavy Duty	FP-6736-61-1202		
CRANKSHAFT/OIL PUMP				
QTY	CRANKSHAFT	PART NO.	SIZE	DESCRIPTION
1	Crankshaft	FP-6732-31-1100		
QTY	MAIN BEARINGS	PART NO.	SIZE	DESCRIPTION
1	Main Bearing Set	FP-6732-29-8110	STD	
1	Main Bearing Set	FP-6732-28-8100	.25MM	
1	Main Bearing Set	FP-6732-27-8100	.50MM	
1	Main Bearing Set	FP-6732-26-8100	.75MM	
1	Main Bearing Set	FP-6732-25-8100	1.00MM	
1	Thrust Washer	FP-6731-21-8610	.50MM	
1	Thrust Washer	FP-6736-28-8700	1.00MM	
QTY	OIL PUMP	PART NO.	SIZE	DESCRIPTION
1	Oil Pump	FP-6732-51-1113		
QTY	SEALS - FRONT CRANK	PART NO.	SIZE	DESCRIPTION
1	Oil Seal	FP-6731-21-4220		
1	Oil Seal Kit	FP-6736-39-1221		
QTY	SEALS - REAR CRANK	PART NO.	SIZE	DESCRIPTION
1	Oil Seal	FP-6735-K2-3001		
1	Oil Seal	FP-6736-39-1130		Wet housing
1	Oil Seal Kit	FP-6736-39-1140		Dry housing
CYL. HEAD & PARTS				
QTY	GASKETS	PART NO.	SIZE	DESCRIPTION
1	Head Gasket	FP-6732-11-1151		
1	Head Gasket Set	FP-6731-11-9990		
4	Valve Cover Gasket	FP-6732-11-8181		
QTY	VALVE	PART NO.	SIZE	DESCRIPTION
16	Valve Keeper	FP-6732-41-4520		Int. & Exh.
4	Valve, Exhaust	FP-6736-41-4210		
4	Valve, Intake	FP-6736-41-4110		
QTY	VALVE GUIDE	PART NO.	SIZE	DESCRIPTION
8	Valve Guide	FP-6736-18-1310		Int. & Exh.; Thin wall
4	Valve Guide	FP-6736-19-1310		Int.; Thick wall, 60.50MM
4	Valve Guide	FP-6736-19-1410		Exh.; Thick wall, 51.75MM
QTY	VALVE SEAL	PART NO.	SIZE	DESCRIPTION
8	Valve Stem Seal	FP-6732-41-4540		Int. & Exh.

(continued on next page)

3.9L 239 OHV L4, 4.0197" Bore 23
(cont.)

CYL. HEAD & PARTS (cont.)

QTY	VALVE SEAT	PART NO.	SIZE	DESCRIPTION
4	Valve Seat	FP-6732-11-1170		Exh.
4	Valve Seat	FP-6732-11-1180		Int.
QTY	VALVE SPRING	PART NO.	SIZE	DESCRIPTION
8	Valve Spring	FP-6732-41-4430		
8	Valve Spring Seat	FP-6732-41-4510		Upper

CYLINDER COMPONENTS

QTY	CONNECTING RODS & BRGS.	PART NO.	SIZE	DESCRIPTION
8	Rod Bearing Half Upper/Lower	FP-6732-31-3411	STD	
8	Rod Bearing Half Upper/Lower	FP-6736-39-3400	.25MM	
8	Rod Bearing Half Upper/Lower	FP-6736-38-3400	.50MM	
8	Rod Bearing Half Upper/Lower	FP-6736-37-3400	.75MM	
8	Rod Bearing Half Upper/Lower	FP-6736-36-3400	1.00MM	
QTY	LINERS	PART NO.	SIZE	DESCRIPTION
4	Liner w/o Sealing Ring	FP-6736-29-2110		
QTY	PISTON RINGS	PART NO.	SIZE	DESCRIPTION
4	Ring Set, Single Cylinder	FP-6738-31-2031	STD	
QTY	PISTONS	PART NO.	SIZE	DESCRIPTION
4	Piston Body w/o Pin	FP-6738-31-2111		
4	Piston Pin	FP-6731-31-2410		
4	Piston Pin Bushing	FP-6732-31-3131		
8	Piston Pin Retainer	FP-6732-31-2420		

ENGINE BLOCK & PARTS

QTY	CAM BEARINGS	PART NO.	SIZE	DESCRIPTION
1	Camshaft Bearing	FP-6736-29-1410		1; O/S
4	Camshaft Bearing	FP-6736-29-1420		2-3-4-5; O/S
1	Camshaft Bearing	FP-6732-21-1411	STD	Wide
QTY	GASKET SETS	PART NO.	SIZE	DESCRIPTION
1	Conversion Gasket Set	FP-6732-01-1140		
QTY	GASKETS	PART NO.	SIZE	DESCRIPTION
1	Chemicals	FP-1816593		Oil pan; RTV Sealant

FUEL SYSTEM & PARTS

QTY	FUEL INJECTION	PART NO.	SIZE	DESCRIPTION
4	Fuel Injector - New	FP-6738-11-3100		
4	Fuel Injector Nozzle	FP-6738-11-3120		

INT & EXH MANIFOLDS

QTY	INT. & EXH. MANIFOLDS	PART NO.	SIZE	DESCRIPTION
4	Exhaust Manifold Gasket	FP-6736-11-5810		
1	Intake Manifold Gasket	FP-6733-11-4861		

3.9L 239 OHV L4, 4.0197" Bore 24
Wheel Loader

S4D102E; Build Series 1; Model WA120-1LC; Model Ser. No. A20001-Up

CAMSHAFT GROUP

QTY	CAMSHAFT/LIFTER	PART NO.	SIZE	DESCRIPTION
8	Lifter	FP-6732-41-2112		

COOLING SYSTEM

QTY	THERMOSTAT	PART NO.	SIZE	DESCRIPTION
1	O-Ring	FP-6732-61-6240		
1	Thermostat	FP-6735-61-1690		
QTY	WATER PUMP	PART NO.	SIZE	DESCRIPTION
1	Water Pump - Heavy Duty	FP-6736-61-1202		

CRANKSHAFT/OIL PUMP

QTY	CRANKSHAFT	PART NO.	SIZE	DESCRIPTION
1	Crankshaft	FP-6732-31-1100		
QTY	MAIN BEARINGS	PART NO.	SIZE	DESCRIPTION
1	Main Bearing Set	FP-6732-29-8110	STD	
1	Main Bearing Set	FP-6732-28-8100	.25MM	
1	Main Bearing Set	FP-6732-27-8100	.50MM	

(continued on next page)

24 3.9L 239 OHV L4, 4.0197" Bore				
(cont.)				
CRANKSHAFT/OIL PUMP (cont.)				
QTY	MAIN BEARINGS (cont.)	PART NO.	SIZE	DESCRIPTION
1	Main Bearing Set	FP-6732-26-8100	.75MM	
1	Main Bearing Set	FP-6732-25-8100	1.00MM	
1	Thrust Washer	FP-6731-21-8610	.50MM	
1	Thrust Washer	FP-6736-28-8700	1.00MM	
QTY	OIL PUMP	PART NO.	SIZE	DESCRIPTION
1	Oil Pump	FP-6732-51-1113		
QTY	SEALS - FRONT CRANK	PART NO.	SIZE	DESCRIPTION
1	Oil Seal	FP-6731-21-4220		
1	Oil Seal Kit	FP-6736-39-1221		
QTY	SEALS - REAR CRANK	PART NO.	SIZE	DESCRIPTION
1	Oil Seal	FP-6735-K2-3001		
1	Oil Seal	FP-6736-39-1130		Wet housing
1	Oil Seal Kit	FP-6736-39-1140		Dry housing
CYL. HEAD & PARTS				
QTY	GASKETS	PART NO.	SIZE	DESCRIPTION
1	Head Gasket	FP-6732-11-1151		
1	Head Gasket Set	FP-6731-11-9990		
4	Valve Cover Gasket	FP-6732-11-8181		
QTY	VALVE	PART NO.	SIZE	DESCRIPTION
16	Valve Keeper	FP-6732-41-4520		Int. & Exh.
4	Valve, Exhaust	FP-6736-41-4210		
4	Valve, Intake	FP-6736-41-4110		
QTY	VALVE GUIDE	PART NO.	SIZE	DESCRIPTION
8	Valve Guide	FP-6736-18-1310		Int. & Exh.; Thin wall
4	Valve Guide	FP-6736-19-1310		Int.; Thick wall, 60.50MM
4	Valve Guide	FP-6736-19-1410		Exh.; Thick wall, 51.75MM
QTY	VALVE SEAL	PART NO.	SIZE	DESCRIPTION
8	Valve Stem Seal	FP-6732-41-4540		Int. & Exh.
QTY	VALVE SEAT	PART NO.	SIZE	DESCRIPTION
4	Valve Seat	FP-6732-11-1170		Exh.
4	Valve Seat	FP-6732-11-1180		Int.
QTY	VALVE SPRING	PART NO.	SIZE	DESCRIPTION
8	Valve Spring	FP-6732-41-4430		
8	Valve Spring Seat	FP-6732-41-4510		Upper
CYLINDER COMPONENTS				
QTY	CONNECTING RODS & BRGS.	PART NO.	SIZE	DESCRIPTION
8	Rod Bearing Half Upper/Lower	FP-6732-31-3411	STD	
8	Rod Bearing Half Upper/Lower	FP-6736-39-3400	.25MM	
8	Rod Bearing Half Upper/Lower	FP-6736-38-3400	.50MM	
8	Rod Bearing Half Upper/Lower	FP-6736-37-3400	.75MM	
8	Rod Bearing Half Upper/Lower	FP-6736-36-3400	1.00MM	
QTY	LINERS	PART NO.	SIZE	DESCRIPTION
4	Liner w/o Sealing Ring	FP-6736-29-2110		
QTY	PISTON RINGS	PART NO.	SIZE	DESCRIPTION
4	Ring Set, Single Cylinder	FP-6736-31-2030	STD	
QTY	PISTONS	PART NO.	SIZE	DESCRIPTION
4	Piston Kit w/Pin & Retainers	FP-6735-01-3110		
4	Piston Pin	FP-6731-31-2410		
4	Piston Pin Bushing	FP-6732-31-3131		
8	Piston Pin Retainer	FP-6732-31-2420		
ENGINE BLOCK & PARTS				
QTY	CAM BEARINGS	PART NO.	SIZE	DESCRIPTION
1	Camshaft Bearing	FP-6736-29-1410		1; O/S
4	Camshaft Bearing	FP-6736-29-1420		2-3-4-5; O/S
1	Camshaft Bearing	FP-6732-21-1410	STD	Narrow
QTY	GASKET SETS	PART NO.	SIZE	DESCRIPTION
1	Conversion Gasket Set	FP-6732-01-1140		
QTY	GASKETS	PART NO.	SIZE	DESCRIPTION
1	Chemicals	FP-1816593		Oil pan; RTV Sealant

(continued on next page)

3.9L 239 OHV L4, 4.0197" Bore 24
(cont.)

FUEL SYSTEM & PARTS

QTY	FUEL INJECTION	PART NO.	SIZE	DESCRIPTION
4	Fuel Injector - New	FP-6736-11-3100		
4	Fuel Injector Nozzle	FP-6731-11-3150		

INT & EXH MANIFOLDS

QTY	INT. & EXH. MANIFOLDS	PART NO.	SIZE	DESCRIPTION
4	Exhaust Manifold Gasket	FP-6736-11-5810		
1	Intake Manifold Gasket	FP-6733-11-4861		

3.9L 239 OHV L4, 4.0197" Bore 25
Wheel Loader

S4D102E; Build Series 1N-L; Eng. Ser. No. 26200163-Up; Model WA120L-3; Model Ser. No. 54001-Up

CAMSHAFT GROUP

QTY	CAMSHAFT/LIFTER	PART NO.	SIZE	DESCRIPTION
8	Lifter	FP-6732-41-2112		

COOLING SYSTEM

QTY	THERMOSTAT	PART NO.	SIZE	DESCRIPTION
1	O-Ring	FP-6732-61-6240		
1	Thermostat	FP-6732-61-1620		

QTY	WATER PUMP	PART NO.	SIZE	DESCRIPTION
1	Water Pump - Heavy Duty	FP-6736-61-1202		

CRANKSHAFT/OIL PUMP

QTY	CRANKSHAFT	PART NO.	SIZE	DESCRIPTION
1	Crankshaft	FP-6732-31-1100		

QTY	MAIN BEARINGS	PART NO.	SIZE	DESCRIPTION
1	Main Bearing Set	FP-6732-29-8110		STD
1	Main Bearing Set	FP-6732-28-8100		.25MM
1	Main Bearing Set	FP-6732-27-8100		.50MM
1	Main Bearing Set	FP-6732-26-8100		.75MM
1	Main Bearing Set	FP-6732-25-8100		1.00MM
1	Thrust Washer	FP-6731-21-8610		.50MM
1	Thrust Washer	FP-6736-28-8700		1.00MM

QTY	OIL PUMP	PART NO.	SIZE	DESCRIPTION
1	Oil Pump	FP-6732-51-1112		

QTY	SEALS - FRONT CRANK	PART NO.	SIZE	DESCRIPTION
1	Oil Seal	FP-6731-21-4220		
1	Oil Seal Kit	FP-6736-39-1221		

QTY	SEALS - REAR CRANK	PART NO.	SIZE	DESCRIPTION
1	Oil Seal	FP-6735-K2-3001		
1	Oil Seal	FP-6736-39-1130		Wet housing
1	Oil Seal Kit	FP-6736-39-1140		Dry housing

CYL. HEAD & PARTS

QTY	GASKETS	PART NO.	SIZE	DESCRIPTION
1	Head Gasket	FP-6732-11-1151		
1	Head Gasket Set	FP-6731-11-9990		
4	Valve Cover Gasket	FP-6732-11-8181		

QTY	VALVE	PART NO.	SIZE	DESCRIPTION
16	Valve Keeper	FP-6732-41-4520		Int. & Exh.
4	Valve, Exhaust	FP-6736-41-4210		
4	Valve, Intake	FP-6736-41-4110		

QTY	VALVE GUIDE	PART NO.	SIZE	DESCRIPTION
8	Valve Guide	FP-6736-18-1310		Int. & Exh.; Thin wall
4	Valve Guide	FP-6736-19-1310		Int.; Thick wall, 60.50MM
4	Valve Guide	FP-6736-19-1410		Exh.; Thick wall, 51.75MM

QTY	VALVE SEAL	PART NO.	SIZE	DESCRIPTION
8	Valve Stem Seal	FP-6732-41-4540		Int. & Exh.

QTY	VALVE SEAT	PART NO.	SIZE	DESCRIPTION
4	Valve Seat	FP-6732-11-1170		Exh.
4	Valve Seat	FP-6732-11-1180		Int.

QTY	VALVE SPRING	PART NO.	SIZE	DESCRIPTION
8	Valve Spring	FP-6732-41-4430		
8	Valve Spring Seat	FP-6732-41-4510		Upper

(continued on next page)

25 3.9L 239 OHV L4, 4.0197" Bore

(cont.)

CYLINDER COMPONENTS

QTY	CONNECTING RODS & BRGS.	PART NO.	SIZE	DESCRIPTION
8	Rod Bearing Half Upper/Lower	FP-6732-31-3411	STD	
8	Rod Bearing Half Upper/Lower	FP-6736-39-3400	.25MM	
8	Rod Bearing Half Upper/Lower	FP-6736-38-3400	.50MM	
8	Rod Bearing Half Upper/Lower	FP-6736-37-3400	.75MM	
8	Rod Bearing Half Upper/Lower	FP-6736-36-3400	1.00MM	

QTY	LINERS	PART NO.	SIZE	DESCRIPTION
4	Liner w/o Sealing Ring	FP-6736-29-2110		

QTY	PISTON RINGS	PART NO.	SIZE	DESCRIPTION
4	Ring Set, Single Cylinder	FP-6738-31-2031	STD	

QTY	PISTONS	PART NO.	SIZE	DESCRIPTION
4	Piston Body w/o Pin	FP-6735-31-2111	STD	
4	Piston Pin	FP-6731-31-2410		
4	Piston Pin Bushing	FP-6732-31-3131		
8	Piston Pin Retainer	FP-6732-31-2420		
4	Piston w/Retainer & Rings	FP-6735-31-2140	STD	

ENGINE BLOCK & PARTS

QTY	CAM BEARINGS	PART NO.	SIZE	DESCRIPTION
1	Camshaft Bearing	FP-6736-29-1410		1; O/S
4	Camshaft Bearing	FP-6736-29-1420		2-3-4-5; O/S
1	Camshaft Bearing	FP-6732-21-1410	STD	Narrow
1	Camshaft Bearing	FP-6732-21-1411	STD	Wide

QTY	GASKET SETS	PART NO.	SIZE	DESCRIPTION
1	Conversion Gasket Set	FP-6732-01-1140		

QTY	GASKETS	PART NO.	SIZE	DESCRIPTION
1	Chemicals	FP-1816593		Oil pan; RTV Sealant

FUEL SYSTEM & PARTS

QTY	FUEL INJECTION	PART NO.	SIZE	DESCRIPTION
4	Fuel Injector - New	FP-6732-11-3220		
4	Fuel Injector Nozzle	FP-6732-11-3230		

INT & EXH MANIFOLDS

QTY	INT. & EXH. MANIFOLDS	PART NO.	SIZE	DESCRIPTION
4	Exhaust Manifold Gasket	FP-6736-11-5810		
1	Intake Manifold Gasket	FP-6733-11-4861		

26 3.9L 239 OHV L4, 4.0197" Bore

Wheel Loader

S4D102E; Build Series 1; Model WA120-3 Avance Plus; Model Ser. No. A31001-Up

S4D102E; Build Series 1; Model WA120-3L; Model Ser. No. A30001-Up

CAMSHAFT GROUP

QTY	CAMSHAFT/LIFTER	PART NO.	SIZE	DESCRIPTION
8	Lifter	FP-6732-41-2112		

COOLING SYSTEM

QTY	THERMOSTAT	PART NO.	SIZE	DESCRIPTION
1	O-Ring	FP-6732-61-6240		
1	Thermostat	FP-6732-61-1620		

QTY	WATER PUMP	PART NO.	SIZE	DESCRIPTION
1	Water Pump - Heavy Duty	FP-6736-61-1202		

CRANKSHAFT/OIL PUMP

QTY	CRANKSHAFT	PART NO.	SIZE	DESCRIPTION
1	Crankshaft	FP-6732-31-1100		

QTY	MAIN BEARINGS	PART NO.	SIZE	DESCRIPTION
1	Main Bearing Set	FP-6732-29-8110	STD	
1	Main Bearing Set	FP-6732-28-8100	.25MM	
1	Main Bearing Set	FP-6732-27-8100	.50MM	
1	Main Bearing Set	FP-6732-26-8100	.75MM	
1	Main Bearing Set	FP-6732-25-8100	1.00MM	
1	Thrust Washer	FP-6731-21-8610	.50MM	
1	Thrust Washer	FP-6736-28-8700	1.00MM	

(continued on next page)

3.9L 239 OHV L4, 4.0197" Bore 26
(cont.)

CRANKSHAFT/OIL PUMP (cont.)

QTY	OIL PUMP	PART NO.	SIZE	DESCRIPTION
1	Oil Pump	FP-6732-51-1112		
QTY	SEALS - FRONT CRANK	PART NO.	SIZE	DESCRIPTION
1	Oil Seal	FP-6731-21-4220		
1	Oil Seal Kit	FP-6736-39-1221		
QTY	SEALS - REAR CRANK	PART NO.	SIZE	DESCRIPTION
1	Oil Seal	FP-6735-K2-3001		
1	Oil Seal	FP-6736-39-1130		Wet housing
1	Oil Seal Kit	FP-6736-39-1140		Dry housing

CYL. HEAD & PARTS

QTY	GASKETS	PART NO.	SIZE	DESCRIPTION
1	Head Gasket	FP-6732-11-1151		
1	Head Gasket Set	FP-6731-11-9990		
4	Valve Cover Gasket	FP-6732-11-8181		
QTY	VALVE	PART NO.	SIZE	DESCRIPTION
16	Valve Keeper	FP-6732-41-4520		Int. & Exh.
4	Valve, Exhaust	FP-6736-41-4210		
4	Valve, Intake	FP-6736-41-4110		
QTY	VALVE GUIDE	PART NO.	SIZE	DESCRIPTION
8	Valve Guide	FP-6736-18-1310		Int. & Exh.; Thin wall
4	Valve Guide	FP-6736-19-1310		Int.; Thick wall, 60.50MM
4	Valve Guide	FP-6736-19-1410		Exh.; Thick wall, 51.75MM
QTY	VALVE SEAL	PART NO.	SIZE	DESCRIPTION
8	Valve Stem Seal	FP-6732-41-4540		Int. & Exh.
QTY	VALVE SEAT	PART NO.	SIZE	DESCRIPTION
4	Valve Seat	FP-6732-11-1170		Exh.
4	Valve Seat	FP-6732-11-1180		Int.
QTY	VALVE SPRING	PART NO.	SIZE	DESCRIPTION
8	Valve Spring	FP-6732-41-4430		
8	Valve Spring Seat	FP-6732-41-4510		Upper

CYLINDER COMPONENTS

QTY	CONNECTING RODS & BRGS.	PART NO.	SIZE	DESCRIPTION
8	Rod Bearing Half Upper/Lower	FP-6732-31-3411	STD	
8	Rod Bearing Half Upper/Lower	FP-6736-39-3400	.25MM	
8	Rod Bearing Half Upper/Lower	FP-6736-38-3400	.50MM	
8	Rod Bearing Half Upper/Lower	FP-6736-37-3400	.75MM	
8	Rod Bearing Half Upper/Lower	FP-6736-36-3400	1.00MM	
QTY	LINERS	PART NO.	SIZE	DESCRIPTION
4	Liner w/o Sealing Ring	FP-6736-29-2110		
QTY	PISTON RINGS	PART NO.	SIZE	DESCRIPTION
4	Ring Set, Single Cylinder	FP-6738-31-2031	STD	
QTY	PISTONS	PART NO.	SIZE	DESCRIPTION
4	Piston Body w/o Pin	FP-6735-31-2111	STD	
4	Piston Pin	FP-6731-31-2410		
4	Piston Pin Bushing	FP-6732-31-3131		
8	Piston Pin Retainer	FP-6732-31-2420		
4	Piston w/Retainer & Rings	FP-6735-31-2140	STD	

ENGINE BLOCK & PARTS

QTY	CAM BEARINGS	PART NO.	SIZE	DESCRIPTION
1	Camshaft Bearing	FP-6736-29-1410		1; O/S
4	Camshaft Bearing	FP-6736-29-1420		2-3-4-5; O/S
1	Camshaft Bearing	FP-6732-21-1410	STD	Narrow
1	Camshaft Bearing	FP-6732-21-1411	STD	Wide
QTY	GASKET SETS	PART NO.	SIZE	DESCRIPTION
1	Conversion Gasket Set	FP-6732-01-1140		
QTY	GASKETS	PART NO.	SIZE	DESCRIPTION
1	Chemicals	FP-1816593		Oil pan; RTV Sealant

FUEL SYSTEM & PARTS

QTY	FUEL INJECTION	PART NO.	SIZE	DESCRIPTION
4	Fuel Injector - New	FP-6733-11-3100		

(continued on next page)

26 3.9L 239 OHV L4, 4.0197" Bore				
FUEL SYSTEM & PARTS (cont.)				
QTY	FUEL INJECTION (cont.)	PART NO.	SIZE	DESCRIPTION
4	Fuel Injector Nozzle	FP-6735-11-3160		
INT & EXH MANIFOLDS				
QTY	INT. & EXH. MANIFOLDS	PART NO.	SIZE	DESCRIPTION
4	Exhaust Manifold Gasket	FP-6736-11-5810		
1	Intake Manifold Gasket	FP-6733-11-4861		
27 4.3L 264 OHV L4, 4.1338" Bore				
<i>Dozer</i>				
4D105; Build Series 5T; From Eng. Ser. No. 106581 to 152519; Model D31A-17; Model Ser. No. 32001-Up				
CAMSHAFT GROUP				
QTY	CAMSHAFT/LIFTER	PART NO.	SIZE	DESCRIPTION
8	Lifter	FP-6130-41-2113		
COOLING SYSTEM				
QTY	THERMOSTAT	PART NO.	SIZE	DESCRIPTION
1	O-Ring	FP-6136-11-6810		
1	Thermostat	FP-600-421-6210		
QTY	WATER PUMP	PART NO.	SIZE	DESCRIPTION
1	Water Pump - Heavy Duty	FP-6134-61-1410		
CRANKSHAFT/OIL PUMP				
QTY	CRANKSHAFT	PART NO.	SIZE	DESCRIPTION
1	Crankshaft	FP-6134-31-1100		
QTY	MAIN BEARINGS	PART NO.	SIZE	DESCRIPTION
5	Main Bearing, Flanged	FP-6136-21-8010	STD	
5	Main Bearing, Flanged	FP-6136-29-8010	.25MM	
5	Main Bearing, Flanged	FP-6136-28-8010	.50MM	
5	Main Bearing, Flanged	FP-6136-27-8010	.75MM	
5	Main Bearing, Flanged	FP-6136-26-8010	1.00MM	
1	Thrust Washer	FP-6134-21-8050	STD	
1	Thrust Washer	FP-6134-29-8050	.25MM	
1	Thrust Washer	FP-6134-28-8050	.50MM	
1	Thrust Washer	FP-6134-27-8050	.75MM	
1	Thrust Washer	FP-6134-26-8050	1.00MM	
QTY	OIL PUMP	PART NO.	SIZE	DESCRIPTION
1	Oil Pump	FP-6134-51-1000		From Eng. Ser. No. 106581 to 149999
1	Oil Pump	FP-6134-52-1000		From Eng. Ser. No. 150001 to 152519
QTY	SEALS - FRONT CRANK	PART NO.	SIZE	DESCRIPTION
1	Oil Seal	FP-6136-22-3510		
QTY	SEALS - REAR CRANK	PART NO.	SIZE	DESCRIPTION
1	Oil Seal	FP-6130-21-4231		
CYL. HEAD & PARTS				
QTY	GASKETS	PART NO.	SIZE	DESCRIPTION
1	Head Gasket	FP-6135-12-1811		
1	Head Gasket Set	FP-6134-K1-9901		
1	Valve Cover Gasket	FP-6134-11-8810		
QTY	PUSH RODS	PART NO.	SIZE	DESCRIPTION
8	Push Rod	FP-6130-42-3110		
QTY	VALVE	PART NO.	SIZE	DESCRIPTION
16	Valve Keeper	FP-6136-41-4520		Int. & Exh.
4	Valve, Exhaust	FP-6136-41-4211		
4	Valve, Intake	FP-6136-41-4110		
QTY	VALVE GUIDE	PART NO.	SIZE	DESCRIPTION
8	Valve Guide	FP-6136-19-1331		
QTY	VALVE SEAT	PART NO.	SIZE	DESCRIPTION
4	Valve Seat	FP-6134-11-1320		Exh.
4	Valve Seat	FP-6136-11-1311		Int.
QTY	VALVE SPRING	PART NO.	SIZE	DESCRIPTION
8	Valve Spring	FP-6136-41-4410		
8	Valve Spring Seat	FP-6136-41-4510		Upper; From Eng. Ser. No. 106581 to 149999
8	Valve Spring Seat	FP-6136-41-4530		Lower
8	Valve Spring Seat	FP-6136-42-4510		Upper; From Eng. Ser. No. 150001 to 152519

(continued on next page)

4.3L 264 OHV L4, 4.1338" Bore 27
(cont.)

CYLINDER COMPONENTS

QTY	CONNECTING RODS & BRGS.	PART NO.	SIZE	DESCRIPTION
4	Connecting Rod Bearing Pair	FP-6138-31-3040	STD	
4	Connecting Rod Bearing Pair	FP-6138-39-3040	.25MM	
4	Connecting Rod Bearing Pair	FP-6138-38-3040	.50MM	
4	Connecting Rod Bearing Pair	FP-6138-37-3040	.75MM	
4	Connecting Rod Bearing Pair	FP-6138-36-3040	1.00MM	
QTY	LINERS	PART NO.	SIZE	DESCRIPTION
4	Cylinder Kit Complete	FP-LK322110		
4	Liner w/o Sealing Ring	FP-6137-22-2210		
4	O-Ring	FP-6136-21-2230		
4	O-Ring	FP-6136-21-2240		
4	Sealing Ring, Liner	FP-6136-21-2220		
QTY	PISTON RINGS	PART NO.	SIZE	DESCRIPTION
4	Ring Set, Single Cylinder	FP-6136-31-2030		
QTY	PISTONS	PART NO.	SIZE	DESCRIPTION
4	Piston Body w/o Pin	FP-6136-32-2110		
4	Piston Kit w/Pin & Retainers	FP-6136-32-2010		
4	Piston Pin	FP-6136-31-2410		
4	Piston Pin Bushing	FP-6136-31-3130		
8	Piston Pin Retainer	FP-04065-04018		

ENGINE BLOCK & PARTS

QTY	CAM BEARINGS	PART NO.	SIZE	DESCRIPTION
3	Camshaft Bearing	FP-6136-21-1410		
QTY	GASKET SETS	PART NO.	SIZE	DESCRIPTION
1	Conversion Gasket Set	FP-6134-K2-9901		
QTY	GASKETS	PART NO.	SIZE	DESCRIPTION
2	Oil Pan Gasket	FP-6134-21-5830		

FUEL SYSTEM & PARTS

QTY	FUEL INJECTION	PART NO.	SIZE	DESCRIPTION
4	Fuel Injector Sleeve	FP-6136-11-1130		

INT & EXH MANIFOLDS

QTY	INT. & EXH. MANIFOLDS	PART NO.	SIZE	DESCRIPTION
2	Exhaust Manifold Gasket	FP-6135-11-5810		
2	Intake Manifold Gasket	FP-6136-11-4850		

4.3L 264 OHV L4, 4.1338" Bore 28
Dozer

4D105; Build Series 5H; From Eng. Ser. No. 106581 to 152519; Model D31A-17; Model Ser. No. 32001-Up
 4D105; Build Series 5H; From Eng. Ser. No. 106581 to 152519; Model D31E-17; Model Ser. No. 32001-Up
 4D105; Build Series 5H; From Eng. Ser. No. 106581 to 152519; Model D31P-17; Model Ser. No. 32001-Up
 4D105; Build Series 5H; From Eng. Ser. No. 106581 to 152519; Model D31P-17A; Model Ser. No. 32001-Up
 4D105; Build Series 5H; From Eng. Ser. No. 106581 to 152519; Model D31Q-17; Model Ser. No. 32001-Up
 4D105; Build Series 5H; From Eng. Ser. No. 106581 to 152519; Model D31S-17; Model Ser. No. 32001-Up

CAMSHAFT GROUP

QTY	CAMSHAFT/LIFTER	PART NO.	SIZE	DESCRIPTION
8	Lifter	FP-6130-41-2113		

COOLING SYSTEM

QTY	THERMOSTAT	PART NO.	SIZE	DESCRIPTION
1	O-Ring	FP-6136-11-6810		
1	Thermostat	FP-600-421-6210		
QTY	WATER PUMP	PART NO.	SIZE	DESCRIPTION
1	Water Pump - Heavy Duty	FP-6134-61-1410		

CRANKSHAFT/OIL PUMP

QTY	CRANKSHAFT	PART NO.	SIZE	DESCRIPTION
1	Crankshaft	FP-6134-31-1100		
QTY	MAIN BEARINGS	PART NO.	SIZE	DESCRIPTION
5	Main Bearing, Flanged	FP-6136-21-8010	STD	
5	Main Bearing, Flanged	FP-6136-29-8010	.25MM	
5	Main Bearing, Flanged	FP-6136-28-8010	.50MM	
5	Main Bearing, Flanged	FP-6136-27-8010	.75MM	

(continued on next page)

28 4.3L 264 OHV L4, 4.1338" Bore

(cont.)

CRANKSHAFT/OIL PUMP (cont.)

QTY	DESCRIPTION	PART NO.	SIZE	DESCRIPTION
MAIN BEARINGS (cont.)				
5	Main Bearing, Flanged	FP-6136-26-8010	1.00MM	
1	Thrust Washer	FP-6134-21-8050	STD	
1	Thrust Washer	FP-6134-29-8050	.25MM	
1	Thrust Washer	FP-6134-28-8050	.50MM	
1	Thrust Washer	FP-6134-27-8050	.75MM	
1	Thrust Washer	FP-6134-26-8050	1.00MM	
OIL PUMP				
1	Oil Pump	FP-6134-51-1000		From Eng. Ser. No. 106581 to 149999
1	Oil Pump	FP-6134-52-1100		From Eng. Ser. No. 150001 to 152519
SEALS - FRONT CRANK				
1	Oil Seal	FP-6136-22-3510		
SEALS - REAR CRANK				
1	Oil Seal	FP-6130-21-4231		

CYL. HEAD & PARTS

QTY	DESCRIPTION	PART NO.	SIZE	DESCRIPTION
GASKETS				
1	Head Gasket	FP-6135-12-1811		
1	Head Gasket Set	FP-6134-K1-9901		
1	Valve Cover Gasket	FP-6134-11-8810		
PUSH RODS				
8	Push Rod	FP-6130-42-3110		
VALVE				
16	Valve Keeper	FP-6136-41-4520		Int. & Exh.
4	Valve, Exhaust	FP-6136-41-4211		
4	Valve, Intake	FP-6136-41-4110		
VALVE GUIDE				
8	Valve Guide	FP-6136-19-1331		
VALVE SEAT				
4	Valve Seat	FP-6134-11-1320		Exh.
4	Valve Seat	FP-6136-11-1311		Int.
VALVE SPRING				
8	Valve Spring	FP-6136-41-4410		
8	Valve Spring Seat	FP-6136-41-4510		Upper; From Eng. Ser. No. 106581 to 149999
8	Valve Spring Seat	FP-6136-41-4530		Lower
8	Valve Spring Seat	FP-6136-42-4510		Upper; From Eng. Ser. No. 150001 to 152519

CYLINDER COMPONENTS

QTY	DESCRIPTION	PART NO.	SIZE	DESCRIPTION
CONNECTING RODS & BRGS.				
4	Connecting Rod Bearing Pair	FP-6138-31-3040	STD	
4	Connecting Rod Bearing Pair	FP-6138-39-3040	.25MM	
4	Connecting Rod Bearing Pair	FP-6138-38-3040	.50MM	
4	Connecting Rod Bearing Pair	FP-6138-37-3040	.75MM	
4	Connecting Rod Bearing Pair	FP-6138-36-3040	1.00MM	
LINERS				
4	Cylinder Kit Complete	FP-LK322110		
4	Liner w/o Sealing Ring	FP-6137-22-2210		
4	O-Ring	FP-6136-21-2230		
4	O-Ring	FP-6136-21-2240		
4	Sealing Ring, Liner	FP-6136-21-2220		
PISTON RINGS				
4	Ring Set, Single Cylinder	FP-6136-31-2030		
PISTONS				
4	Piston Body w/o Pin	FP-6136-32-2110		
4	Piston Kit w/Pin & Retainers	FP-6136-32-2010		
4	Piston Pin	FP-6136-31-2410		
4	Piston Pin Bushing	FP-6136-31-3130		
8	Piston Pin Retainer	FP-04065-04018		

ENGINE BLOCK & PARTS

QTY	DESCRIPTION	PART NO.	SIZE	DESCRIPTION
CAM BEARINGS				
3	Camshaft Bearing	FP-6136-21-1410		
GASKET SETS				
1	Conversion Gasket Set	FP-6134-K2-9901		

(continued on next page)

4.3L 264 OHV L4, 4.1338" Bore **28** (cont.)

ENGINE BLOCK & PARTS (cont.)

QTY	GASKETS	PART NO.	SIZE	DESCRIPTION
2	Oil Pan Gasket	FP-6134-21-5830		

FUEL SYSTEM & PARTS				
QTY	FUEL INJECTION	PART NO.	SIZE	DESCRIPTION
4	Fuel Injector Sleeve	FP-6136-11-1130		

INT & EXH MANIFOLDS				
QTY	INT. & EXH. MANIFOLDS	PART NO.	SIZE	DESCRIPTION
2	Exhaust Manifold Gasket	FP-6135-11-5810		
2	Intake Manifold Gasket	FP-6136-11-4850		

4.3L 264 OHV L4, 4.1338" Bore **29** *Dozer*

4D105; Build Series 5T; From Eng. Ser. No. 106581 to 152519; Model D31E-17; Model Ser. No. 32001-Up

CAMSHAFT GROUP

QTY	CAMSHAFT/LIFTER	PART NO.	SIZE	DESCRIPTION
8	Lifter	FP-6130-41-2113		

COOLING SYSTEM

QTY	THERMOSTAT	PART NO.	SIZE	DESCRIPTION
1	O-Ring	FP-6136-11-6810		
1	Thermostat	FP-600-421-6210		

QTY	WATER PUMP	PART NO.	SIZE	DESCRIPTION
1	Water Pump - Heavy Duty	FP-6134-61-1410		

CRANKSHAFT/OIL PUMP

QTY	CRANKSHAFT	PART NO.	SIZE	DESCRIPTION
1	Crankshaft	FP-6134-31-1100		

QTY	MAIN BEARINGS	PART NO.	SIZE	DESCRIPTION
5	Main Bearing, Flanged	FP-6136-21-8010	STD	
5	Main Bearing, Flanged	FP-6136-29-8010	.25MM	
5	Main Bearing, Flanged	FP-6136-28-8010	.50MM	
5	Main Bearing, Flanged	FP-6136-27-8010	.75MM	
5	Main Bearing, Flanged	FP-6136-26-8010	1.00MM	
1	Thrust Washer	FP-6134-21-8050	STD	
1	Thrust Washer	FP-6134-29-8050	.25MM	
1	Thrust Washer	FP-6134-28-8050	.50MM	
1	Thrust Washer	FP-6134-27-8050	.75MM	
1	Thrust Washer	FP-6134-26-8050	1.00MM	

QTY	OIL PUMP	PART NO.	SIZE	DESCRIPTION
1	Oil Pump	FP-6134-51-1100		From Eng. Ser. No. 106581 to 149999
1	Oil Pump	FP-6134-52-1100		From Eng. Ser. No. 150001 to 152519

QTY	SEALS - FRONT CRANK	PART NO.	SIZE	DESCRIPTION
1	Oil Seal	FP-6136-22-3510		

QTY	SEALS - REAR CRANK	PART NO.	SIZE	DESCRIPTION
1	Oil Seal	FP-6130-21-4231		

CYL. HEAD & PARTS

QTY	GASKETS	PART NO.	SIZE	DESCRIPTION
1	Head Gasket	FP-6135-12-1811		
1	Head Gasket Set	FP-6134-K1-9901		
1	Valve Cover Gasket	FP-6134-11-8810		

QTY	PUSH RODS	PART NO.	SIZE	DESCRIPTION
8	Push Rod	FP-6130-42-3110		

QTY	VALVE	PART NO.	SIZE	DESCRIPTION
16	Valve Keeper	FP-6136-41-4520		Int. & Exh.
4	Valve, Exhaust	FP-6136-41-4211		
4	Valve, Intake	FP-6136-41-4110		

QTY	VALVE GUIDE	PART NO.	SIZE	DESCRIPTION
8	Valve Guide	FP-6136-19-1331		

QTY	VALVE SEAT	PART NO.	SIZE	DESCRIPTION
4	Valve Seat	FP-6134-11-1320		Exh.
4	Valve Seat	FP-6136-11-1311		Int.

(continued on next page)

29 4.3L 264 OHV L4, 4.1338" Bore (cont.)				
CYL. HEAD & PARTS (cont.)				
QTY	VALVE SPRING	PART NO.	SIZE	DESCRIPTION
8	Valve Spring	FP-6136-41-4410		
8	Valve Spring Seat	FP-6136-41-4510		Upper; From Eng. Ser. No. 106581 to 149999
8	Valve Spring Seat	FP-6136-41-4530		Lower
8	Valve Spring Seat	FP-6136-42-4510		Upper; From Eng. Ser. No. 150001 to 152519
CYLINDER COMPONENTS				
QTY	CONNECTING RODS & BRGS.	PART NO.	SIZE	DESCRIPTION
4	Connecting Rod Bearing Pair	FP-6138-31-3040	STD	
4	Connecting Rod Bearing Pair	FP-6138-39-3040	.25MM	
4	Connecting Rod Bearing Pair	FP-6138-38-3040	.50MM	
4	Connecting Rod Bearing Pair	FP-6138-37-3040	.75MM	
4	Connecting Rod Bearing Pair	FP-6138-36-3040	1.00MM	
QTY	LINERS	PART NO.	SIZE	DESCRIPTION
4	Cylinder Kit Complete	FP-LK322110		
4	Liner w/o Sealing Ring	FP-6137-22-2210		
4	O-Ring	FP-6136-21-2230		
4	O-Ring	FP-6136-21-2240		
4	Sealing Ring, Liner	FP-6136-21-2220		
QTY	PISTON RINGS	PART NO.	SIZE	DESCRIPTION
4	Ring Set, Single Cylinder	FP-6136-31-2030		
QTY	PISTONS	PART NO.	SIZE	DESCRIPTION
4	Piston Body w/o Pin	FP-6136-32-2110		
4	Piston Kit w/Pin & Retainers	FP-6136-32-2010		
4	Piston Pin	FP-6136-31-2410		
4	Piston Pin Bushing	FP-6136-31-3130		
8	Piston Pin Retainer	FP-04065-04018		
ENGINE BLOCK & PARTS				
QTY	CAM BEARINGS	PART NO.	SIZE	DESCRIPTION
3	Camshaft Bearing	FP-6136-21-1410		
QTY	GASKET SETS	PART NO.	SIZE	DESCRIPTION
1	Conversion Gasket Set	FP-6134-K2-9901		
QTY	GASKETS	PART NO.	SIZE	DESCRIPTION
2	Oil Pan Gasket	FP-6134-21-5830		
FUEL SYSTEM & PARTS				
QTY	FUEL INJECTION	PART NO.	SIZE	DESCRIPTION
4	Fuel Injector Sleeve	FP-6136-11-1130		
INT & EXH MANIFOLDS				
QTY	INT. & EXH. MANIFOLDS	PART NO.	SIZE	DESCRIPTION
2	Exhaust Manifold Gasket	FP-6135-11-5810		
2	Intake Manifold Gasket	FP-6136-11-4850		
30 4.3L 264 OHV L4, 4.1338" Bore <i>Dozer</i>				
4D105; Build Series 5H; Eng. Ser. No. 152520-Up; Model D31A-17; Model Ser. No. 32001-Up				
4D105; Build Series 5H; Eng. Ser. No. 152520-Up; Model D31E-17; Model Ser. No. 32001-Up				
4D105; Build Series 5H; Eng. Ser. No. 152520-Up; Model D31P-17; Model Ser. No. 32001-Up				
4D105; Build Series 5H; Eng. Ser. No. 152520-Up; Model D31P-17A; Model Ser. No. 32001-Up				
4D105; Build Series 5H; Eng. Ser. No. 152520-Up; Model D31Q-17; Model Ser. No. 32001-Up				
4D105; Build Series 5H; Eng. Ser. No. 152520-Up; Model D31S-17; Model Ser. No. 32001-Up				
4D105; Build Series 5T; Eng. Ser. No. 152520-Up; Model D31A-17; Model Ser. No. 32001-Up				
4D105; Build Series 5T; Eng. Ser. No. 152520-Up; Model D31E-17; Model Ser. No. 32001-Up				
CAMSHAFT GROUP				
QTY	CAMSHAFT/LIFTER	PART NO.	SIZE	DESCRIPTION
8	Lifter	FP-6130-41-2113		
COOLING SYSTEM				
QTY	THERMOSTAT	PART NO.	SIZE	DESCRIPTION
1	O-Ring	FP-6136-11-6810		
1	Thermostat	FP-600-421-6210		

(continued on next page)

4.3L 264 OHV L4, 4.1338" Bore **30**
(cont.)

COOLING SYSTEM (cont.)				
QTY	WATER PUMP	PART NO.	SIZE	DESCRIPTION
1	Water Pump - Heavy Duty	FP-6134-61-1410		
CRANKSHAFT/OIL PUMP				
QTY	CRANKSHAFT	PART NO.	SIZE	DESCRIPTION
1	Crankshaft	FP-6134-31-1100		
QTY	MAIN BEARINGS	PART NO.	SIZE	DESCRIPTION
5	Main Bearing, Flanged	FP-6136-21-8010	STD	
5	Main Bearing, Flanged	FP-6136-29-8010	.25MM	
5	Main Bearing, Flanged	FP-6136-28-8010	.50MM	
5	Main Bearing, Flanged	FP-6136-27-8010	.75MM	
5	Main Bearing, Flanged	FP-6136-26-8010	1.00MM	
1	Thrust Washer	FP-6134-21-8050	STD	
1	Thrust Washer	FP-6134-29-8050	.25MM	
1	Thrust Washer	FP-6134-28-8050	.50MM	
1	Thrust Washer	FP-6134-27-8050	.75MM	
1	Thrust Washer	FP-6134-26-8050	1.00MM	
QTY	OIL PUMP	PART NO.	SIZE	DESCRIPTION
1	Oil Pump	FP-6134-52-1100		
QTY	SEALS - FRONT CRANK	PART NO.	SIZE	DESCRIPTION
1	Oil Seal	FP-6136-22-3510		
QTY	SEALS - REAR CRANK	PART NO.	SIZE	DESCRIPTION
1	Oil Seal	FP-6130-21-4231		
CYL. HEAD & PARTS				
QTY	GASKETS	PART NO.	SIZE	DESCRIPTION
1	Head Gasket	FP-6135-12-1811		
1	Head Gasket Set	FP-6134-K1-9901		
1	Valve Cover Gasket	FP-6134-11-8810		
QTY	PUSH RODS	PART NO.	SIZE	DESCRIPTION
8	Push Rod	FP-6130-42-3110		
QTY	VALVE	PART NO.	SIZE	DESCRIPTION
16	Valve Keeper	FP-6136-42-4520		Int. & Exh.
4	Valve, Exhaust	FP-6136-42-4211	STD	
4	Valve, Intake	FP-6136-42-4110		
QTY	VALVE GUIDE	PART NO.	SIZE	DESCRIPTION
8	Valve Guide	FP-6136-19-1430		
QTY	VALVE SEAT	PART NO.	SIZE	DESCRIPTION
4	Valve Seat	FP-6136-12-1310		Int.
4	Valve Seat	FP-6136-12-1320		Exh.
QTY	VALVE SPRING	PART NO.	SIZE	DESCRIPTION
8	Valve Spring	FP-6136-42-4410		
8	Valve Spring Seat	FP-6136-41-4530		Lower
8	Valve Spring Seat	FP-6136-42-4510		Upper
CYLINDER COMPONENTS				
QTY	CONNECTING RODS & BRGS.	PART NO.	SIZE	DESCRIPTION
4	Connecting Rod Bearing Pair	FP-6138-31-3040	STD	
4	Connecting Rod Bearing Pair	FP-6138-39-3040	.25MM	
4	Connecting Rod Bearing Pair	FP-6138-38-3040	.50MM	
4	Connecting Rod Bearing Pair	FP-6138-37-3040	.75MM	
4	Connecting Rod Bearing Pair	FP-6138-36-3040	1.00MM	
QTY	LINERS	PART NO.	SIZE	DESCRIPTION
4	Cylinder Kit Complete	FP-LK362120		
4	Liner w/o Sealing Ring	FP-6137-22-2210		
4	O-Ring	FP-6136-21-2230		
4	O-Ring	FP-6136-21-2240		
4	Sealing Ring, Liner	FP-6136-21-2220		
QTY	PISTON RINGS	PART NO.	SIZE	DESCRIPTION
4	Ring Set, Single Cylinder	FP-6136-31-2030		
QTY	PISTONS	PART NO.	SIZE	DESCRIPTION
4	Piston Body w/o Pin	FP-6136-32-2120		
4	Piston Kit w/Pin & Retainers	FP-6136-32-2020		
4	Piston Pin	FP-6136-31-2410		
4	Piston Pin Bushing	FP-6136-32-3130		

(continued on next page)

30 4.3L 264 OHV L4, 4.1338" Bore (cont.)				
CYLINDER COMPONENTS (cont.)				
QTY	PISTONS (cont.)	PART NO.	SIZE	DESCRIPTION
8	Piston Pin Retainer	FP-04065-04018		
ENGINE BLOCK & PARTS				
QTY	CAM BEARINGS	PART NO.	SIZE	DESCRIPTION
3	Camshaft Bearing	FP-6136-21-1410		
QTY	GASKET SETS	PART NO.	SIZE	DESCRIPTION
1	Conversion Gasket Set	FP-6134-K2-9901		
QTY	GASKETS	PART NO.	SIZE	DESCRIPTION
2	Oil Pan Gasket	FP-6134-21-5830		
FUEL SYSTEM & PARTS				
QTY	FUEL INJECTION	PART NO.	SIZE	DESCRIPTION
4	Fuel Injector Sleeve	FP-6136-11-1130		
INT & EXH MANIFOLDS				
QTY	INT. & EXH. MANIFOLDS	PART NO.	SIZE	DESCRIPTION
2	Exhaust Manifold Gasket	FP-6135-11-5810		
2	Intake Manifold Gasket	FP-6136-11-4850		
31 4.3L 264 OHV L4, 4.1338" Bore <i>Dozer</i> 4D105; Build Series 3C; Eng. Ser. No. 40138-Up; Model D31A-16; Model Ser. No. 25001-Up 4D105; Build Series 3C; Eng. Ser. No. 40138-Up; Model D31P-16; Model Ser. No. 25001-Up 4D105; Build Series 3C; Eng. Ser. No. 40138-Up; Model D31P-16A; Model Ser. No. 25001-Up 4D105; Build Series 3C; Eng. Ser. No. 40138-Up; Model D31PL-16; Model Ser. No. 25001-Up 4D105; Build Series 3C; Eng. Ser. No. 40138-Up; Model D31PLL-16; Model Ser. No. 25001-Up 4D105; Build Series 3C; Eng. Ser. No. 40138-Up; Model D31Q-16; Model Ser. No. 25001-Up 4D105; Build Series 3C; Eng. Ser. No. 40138-Up; Model D31S-16; Model Ser. No. 25001-Up				
CAMSHAFT GROUP				
QTY	CAMSHAFT/LIFTER	PART NO.	SIZE	DESCRIPTION
8	Lifter	FP-6130-41-2113		
COOLING SYSTEM				
QTY	THERMOSTAT	PART NO.	SIZE	DESCRIPTION
1	O-Ring	FP-6140-11-6331		
1	Thermostat	FP-600-421-6110		
CRANKSHAFT/OIL PUMP				
QTY	CRANKSHAFT	PART NO.	SIZE	DESCRIPTION
1	Crankshaft	FP-6131-32-1101		
QTY	MAIN BEARINGS	PART NO.	SIZE	DESCRIPTION
1	Main Bearing Set	FP-6130-29-8101	.25MM	Set
1	Main Bearing Set	FP-6130-28-8101	.50MM	Set
1	Main Bearing Set	FP-6130-27-8101	.75MM	Set
1	Main Bearing Set	FP-6130-26-8101	1.00MM	Set
3	Main Bearing, Flanged	FP-6130-21-8011	STD	1-2-4
2	Main Bearing, Flanged	FP-6130-21-8021	STD	3-5
1	Thrust Washer	FP-6130-21-8500	STD	
1	Thrust Washer	FP-6130-29-8500	.25MM	
1	Thrust Washer	FP-6130-28-8500	.50MM	
1	Thrust Washer	FP-6130-27-8500	.75MM	
1	Thrust Washer	FP-6130-26-8500	1.00MM	
QTY	SEALS - FRONT CRANK	PART NO.	SIZE	DESCRIPTION
1	Oil Seal	FP-6130-22-3290		
QTY	SEALS - REAR CRANK	PART NO.	SIZE	DESCRIPTION
1	Oil Seal	FP-6130-21-4231		
CYL. HEAD & PARTS				
QTY	GASKETS	PART NO.	SIZE	DESCRIPTION
1	Head Gasket	FP-6131-11-1812		
1	Head Gasket Set	FP-6131-K1-9901		
1	Valve Cover Gasket	FP-6130-11-7821		
QTY	PUSH RODS	PART NO.	SIZE	DESCRIPTION
8	Push Rod	FP-6130-42-3110		

(continued on next page)

4.3L 264 OHV L4, 4.1338" Bore **31**
(cont.)

CYL. HEAD & PARTS (cont.)

QTY	VALVE	PART NO.	SIZE	DESCRIPTION
16	Valve Keeper	FP-6130-41-4520		Int. & Exh.
4	Valve, Exhaust	FP-6130-41-4210	STD	
4	Valve, Intake	FP-6130-41-4131		
QTY	VALVE GUIDE	PART NO.	SIZE	DESCRIPTION
8	Valve Guide	FP-6130-19-1310		
QTY	VALVE SEAT	PART NO.	SIZE	DESCRIPTION
4	Valve Seat	FP-6130-11-1323		Exh.
QTY	VALVE SPRING	PART NO.	SIZE	DESCRIPTION
8	Valve Spring	FP-6130-41-4410		
8	Valve Spring Seat	FP-6130-41-4511		Upper
8	Valve Spring Seat	FP-6130-41-4620		Lower

CYLINDER COMPONENTS

QTY	CONNECTING RODS & BRGS.	PART NO.	SIZE	DESCRIPTION
4	Connecting Rod Bearing Pair	FP-6130-31-3041	STD	
4	Connecting Rod Bearing Pair	FP-6130-39-3041	.25MM	
4	Connecting Rod Bearing Pair	FP-6130-38-3041	.50MM	
4	Connecting Rod Bearing Pair	FP-6130-37-3041	.75MM	
4	Connecting Rod Bearing Pair	FP-6130-36-3041	1.00MM	
QTY	LINERS	PART NO.	SIZE	DESCRIPTION
4	Cylinder Kit Complete	FP-LK302110		
4	Liner w/o Sealing Ring	FP-6130-22-2310		
4	O-Ring	FP-6130-21-2220		
4	O-Ring	FP-6130-21-2230		
QTY	PISTON RINGS	PART NO.	SIZE	DESCRIPTION
4	Ring Set, Single Cylinder	FP-6130-32-2302		
QTY	PISTONS	PART NO.	SIZE	DESCRIPTION
4	Piston Kit w/Pin & Retainers	FP-6130-32-2110		
4	Piston Pin	FP-6130-31-2410		
4	Piston Pin Bushing	FP-6130-31-3130		
8	Piston Pin Retainer	FP-6130-31-2510		

ENGINE BLOCK & PARTS

QTY	CAM BEARINGS	PART NO.	SIZE	DESCRIPTION
1	Camshaft Bearing	FP-6130-21-1410		
1	Camshaft Bearing	FP-6130-21-1420		
1	Camshaft Bearing	FP-6130-21-1430		
QTY	GASKET SETS	PART NO.	SIZE	DESCRIPTION
1	Conversion Gasket Set	FP-6130-K2-9901		
QTY	GASKETS	PART NO.	SIZE	DESCRIPTION
1	Oil Pan Gasket	FP-6130-21-5812		

FUEL SYSTEM & PARTS

QTY	FUEL INJECTION	PART NO.	SIZE	DESCRIPTION
4	Fuel Injector Sleeve	FP-6130-11-1131		

INT & EXH MANIFOLDS

QTY	INT. & EXH. MANIFOLDS	PART NO.	SIZE	DESCRIPTION
1	Exhaust Manifold Gasket	FP-6132-11-5810		
1	Intake Manifold Gasket	FP-07000-72070		

32 4.3L 264 OHV L4, 4.1338" Bore

Dozer

S4D105; Build Series 1B; Eng. Ser. No. 18273-Up; Model D40A-1; Model Ser. No. 1501-Up
 S4D105; Build Series 1B; Eng. Ser. No. 18273-Up; Model D40AF-1A; Model Ser. No. 2201-Up
 S4D105; Build Series 1B; Eng. Ser. No. 18273-Up; Model D40PF-1A; Model Ser. No. 2201-Up
 S4D105; Build Series 1B; Eng. Ser. No. 18273-Up; Model D40PL-1; Model Ser. No. 1501-Up
 S4D105; Build Series 1C; Eng. Ser. No. 19078-Up; Model D45A-1; Model Ser. No. 1501-Up
 S4D105; Build Series 1C; Eng. Ser. No. 19078-Up; Model D45P-1; Model Ser. No. 1501-Up
 S4D105; Build Series 2B; Eng. Ser. No. 18273-Up; Model D40A-1; Model Ser. No. 1501-Up
 S4D105; Build Series 2B; Eng. Ser. No. 18273-Up; Model D40PL-1; Model Ser. No. 1501-Up
 S4D105; Build Series 2C; Eng. Ser. No. 19078-Up; Model D45A-1; Model Ser. No. 1501-Up
 S4D105; Build Series 2C; Eng. Ser. No. 19078-Up; Model D45P-1; Model Ser. No. 1501-Up
 S4D105; Build Series 2C; Eng. Ser. No. 19078-Up; Model D45S-1; Model Ser. No. 1501-Up

CAMSHAFT GROUP

QTY	CAMSHAFT/LIFTER	PART NO.	SIZE	DESCRIPTION
8	Lifter	FP-6130-41-2113		

COOLING SYSTEM

QTY	THERMOSTAT	PART NO.	SIZE	DESCRIPTION
1	O-Ring	FP-6140-11-6331		
1	Thermostat	FP-600-421-6110		

QTY	WATER PUMP	PART NO.	SIZE	DESCRIPTION
1	Water Pump - Heavy Duty	FP-6131-61-1202		

CRANKSHAFT/OIL PUMP

QTY	CRANKSHAFT	PART NO.	SIZE	DESCRIPTION
1	Crankshaft	FP-6131-32-1101		

QTY	MAIN BEARINGS	PART NO.	SIZE	DESCRIPTION
1	Main Bearing Set	FP-6130-29-8101	.25MM	Set
1	Main Bearing Set	FP-6130-28-8101	.50MM	Set
1	Main Bearing Set	FP-6130-27-8101	.75MM	Set
1	Main Bearing Set	FP-6130-26-8101	1.00MM	Set
3	Main Bearing, Flanged	FP-6130-21-8011	STD	1-2-4
2	Main Bearing, Flanged	FP-6130-21-8021	STD	3-5
1	Thrust Washer	FP-6130-21-8500	STD	
1	Thrust Washer	FP-6130-29-8500	.25MM	
1	Thrust Washer	FP-6130-28-8500	.50MM	
1	Thrust Washer	FP-6130-27-8500	.75MM	
1	Thrust Washer	FP-6130-26-8500	1.00MM	

QTY	OIL PUMP	PART NO.	SIZE	DESCRIPTION
1	Oil Pump	FP-6130-51-1002		

QTY	SEALS - FRONT CRANK	PART NO.	SIZE	DESCRIPTION
1	Oil Seal	FP-6130-21-3230		

QTY	SEALS - REAR CRANK	PART NO.	SIZE	DESCRIPTION
1	Oil Seal	FP-6130-21-4231		

CYL. HEAD & PARTS

QTY	GASKETS	PART NO.	SIZE	DESCRIPTION
1	Head Gasket	FP-6131-11-1812		
1	Head Gasket Set	FP-6131-K1-9901		
1	Valve Cover Gasket	FP-6130-11-7821		

QTY	PUSH RODS	PART NO.	SIZE	DESCRIPTION
8	Push Rod	FP-6130-42-3110		

QTY	VALVE	PART NO.	SIZE	DESCRIPTION
16	Valve Keeper	FP-6130-41-4520		Int. & Exh.
4	Valve, Exhaust	FP-6130-41-4210	STD	
4	Valve, Intake	FP-6131-42-4120		

QTY	VALVE GUIDE	PART NO.	SIZE	DESCRIPTION
8	Valve Guide	FP-6130-19-1310		

QTY	VALVE SEAL	PART NO.	SIZE	DESCRIPTION
4	Valve Stem Seal	FP-6130-41-4541		

QTY	VALVE SEAT	PART NO.	SIZE	DESCRIPTION
4	Valve Seat	FP-6130-11-1323		Exh.
4	Valve Seat	FP-6131-12-1310		Int.

QTY	VALVE SPRING	PART NO.	SIZE	DESCRIPTION
8	Valve Spring	FP-6130-41-4410		
8	Valve Spring Seat	FP-6130-41-4511		Upper

(continued on next page)

4.3L 264 OHV L4, 4.1338" Bore 32
(cont.)

CYL. HEAD & PARTS (cont.)

QTY	VALVE SPRING (cont.)	PART NO.	SIZE	DESCRIPTION
8	Valve Spring Seat	FP-6130-41-4620		Lower

CYLINDER COMPONENTS

QTY	CONNECTING RODS & BRGS.	PART NO.	SIZE	DESCRIPTION
4	Connecting Rod Bearing Pair	FP-6130-31-3041	STD	
4	Connecting Rod Bearing Pair	FP-6130-39-3041	.25MM	
4	Connecting Rod Bearing Pair	FP-6130-38-3041	.50MM	
4	Connecting Rod Bearing Pair	FP-6130-37-3041	.75MM	
4	Connecting Rod Bearing Pair	FP-6130-36-3041	1.00MM	

QTY	LINERS	PART NO.	SIZE	DESCRIPTION
4	Cylinder Kit Complete	FP-LK312110		
4	Liner w/o Sealing Ring	FP-6130-21-2213		
4	O-Ring	FP-6130-21-2220		
4	O-Ring	FP-6130-21-2230		

QTY	PISTON RINGS	PART NO.	SIZE	DESCRIPTION
4	Ring Set, Single Cylinder	FP-6131-31-2301		

QTY	PISTONS	PART NO.	SIZE	DESCRIPTION
4	Piston Body w/o Pin	FP-6131-31-2110		
4	Piston Kit w/Pin & Retainers	FP-6131-31-2100		
4	Piston Pin	FP-6130-31-2410		
4	Piston Pin Bushing	FP-6130-31-3130		
8	Piston Pin Retainer	FP-6130-31-2510		

ENGINE BLOCK & PARTS

QTY	CAM BEARINGS	PART NO.	SIZE	DESCRIPTION
1	Camshaft Bearing	FP-6130-21-1410		
1	Camshaft Bearing	FP-6130-21-1420		
1	Camshaft Bearing	FP-6130-21-1430		

QTY	GASKET SETS	PART NO.	SIZE	DESCRIPTION
1	Conversion Gasket Set	FP-6130-K2-9901		

QTY	GASKETS	PART NO.	SIZE	DESCRIPTION
1	Oil Pan Gasket	FP-6130-21-5812		

FUEL SYSTEM & PARTS

QTY	FUEL INJECTION	PART NO.	SIZE	DESCRIPTION
4	Fuel Injector Sleeve	FP-6130-11-1131		

INT & EXH MANIFOLDS

QTY	INT. & EXH. MANIFOLDS	PART NO.	SIZE	DESCRIPTION
1	Exhaust Manifold Gasket	FP-6132-11-5810		

4.3L 264 OHV L4, 4.1338" Bore 33
Dozer

S4D105; Build Series 3B; Eng. Ser. No. 44579-Up; Model D40A-1; Model Ser. No. 1501-Up
 S4D105; Build Series 3B; Eng. Ser. No. 44579-Up; Model D40PL-1; Model Ser. No. 1501-Up
 S4D105; Build Series 3C; Eng. Ser. No. 44579-Up; Model D45A-1; Model Ser. No. 1501-Up
 S4D105; Build Series 3C; Eng. Ser. No. 44579-Up; Model D45S-1; Model Ser. No. 1501-Up

CAMSHAFT GROUP

QTY	CAMSHAFT/LIFTER	PART NO.	SIZE	DESCRIPTION
8	Lifter	FP-6130-41-2113		

COOLING SYSTEM

QTY	THERMOSTAT	PART NO.	SIZE	DESCRIPTION
1	O-Ring	FP-6140-11-6331		
1	Thermostat	FP-600-421-6110		

QTY	WATER PUMP	PART NO.	SIZE	DESCRIPTION
1	Water Pump - Heavy Duty	FP-6131-62-1205		

CRANKSHAFT/OIL PUMP

QTY	CRANKSHAFT	PART NO.	SIZE	DESCRIPTION
1	Crankshaft	FP-6131-32-1101		

QTY	MAIN BEARINGS	PART NO.	SIZE	DESCRIPTION
1	Main Bearing Set	FP-6130-29-8101	.25MM	Set
1	Main Bearing Set	FP-6130-28-8101	.50MM	Set

(continued on next page)

33 4.3L 264 OHV L4, 4.1338" Bore				
(cont.)				
CRANKSHAFT/OIL PUMP (cont.)				
QTY	MAIN BEARINGS (cont.)	PART NO.	SIZE	DESCRIPTION
1	Main Bearing Set	FP-6130-27-8101	.75MM	Set
1	Main Bearing Set	FP-6130-26-8101	1.00MM	Set
3	Main Bearing, Flanged	FP-6130-21-8011	STD	1-2-4
2	Main Bearing, Flanged	FP-6130-21-8021	STD	3-5
1	Thrust Washer	FP-6130-21-8500	STD	
1	Thrust Washer	FP-6130-29-8500	.25MM	
1	Thrust Washer	FP-6130-28-8500	.50MM	
1	Thrust Washer	FP-6130-27-8500	.75MM	
1	Thrust Washer	FP-6130-26-8500	1.00MM	
QTY	OIL PUMP	PART NO.	SIZE	DESCRIPTION
1	Oil Pump	FP-6131-52-1001		
QTY	SEALS - FRONT CRANK	PART NO.	SIZE	DESCRIPTION
1	Oil Seal	FP-6130-22-3290		
QTY	SEALS - REAR CRANK	PART NO.	SIZE	DESCRIPTION
1	Oil Seal	FP-6130-21-4231		
CYL. HEAD & PARTS				
QTY	GASKETS	PART NO.	SIZE	DESCRIPTION
1	Head Gasket	FP-6131-11-1812		
1	Head Gasket Set	FP-6131-K1-9901		
1	Valve Cover Gasket	FP-6130-11-7821		
QTY	PUSH RODS	PART NO.	SIZE	DESCRIPTION
8	Push Rod	FP-6130-42-3110		
QTY	VALVE	PART NO.	SIZE	DESCRIPTION
16	Valve Keeper	FP-6130-41-4520		Int. & Exh.
4	Valve, Exhaust	FP-6130-41-4210	STD	
4	Valve, Intake	FP-6131-42-4110		
QTY	VALVE GUIDE	PART NO.	SIZE	DESCRIPTION
8	Valve Guide	FP-6130-19-1310		
QTY	VALVE SEAL	PART NO.	SIZE	DESCRIPTION
4	Valve Stem Seal	FP-6130-41-4541		
QTY	VALVE SEAT	PART NO.	SIZE	DESCRIPTION
4	Valve Seat	FP-6130-11-1323		Exh.
4	Valve Seat	FP-6131-12-1310		Int.
QTY	VALVE SPRING	PART NO.	SIZE	DESCRIPTION
8	Valve Spring	FP-6130-41-4410		
8	Valve Spring Seat	FP-6130-41-4511		Upper
8	Valve Spring Seat	FP-6130-41-4620		Lower
CYLINDER COMPONENTS				
QTY	CONNECTING RODS & BRGS.	PART NO.	SIZE	DESCRIPTION
4	Connecting Rod Bearing Pair	FP-6130-31-3041	STD	
4	Connecting Rod Bearing Pair	FP-6130-39-3041	.25MM	
4	Connecting Rod Bearing Pair	FP-6130-38-3041	.50MM	
4	Connecting Rod Bearing Pair	FP-6130-37-3041	.75MM	
4	Connecting Rod Bearing Pair	FP-6130-36-3041	1.00MM	
QTY	LINERS	PART NO.	SIZE	DESCRIPTION
4	Cylinder Kit Complete	FP-LK322120		
4	Liner w/o Sealing Ring	FP-6130-22-2310		
4	O-Ring	FP-6130-21-2220		
4	O-Ring	FP-6130-21-2230		
QTY	PISTON RINGS	PART NO.	SIZE	DESCRIPTION
4	Ring Set, Single Cylinder	FP-6131-32-2302		
QTY	PISTONS	PART NO.	SIZE	DESCRIPTION
4	Piston Body w/o Pin	FP-6131-32-2120		
4	Piston Pin	FP-6130-31-2410		
4	Piston Pin Bushing	FP-6130-31-3130		
8	Piston Pin Retainer	FP-6130-31-2510		
ENGINE BLOCK & PARTS				
QTY	CAM BEARINGS	PART NO.	SIZE	DESCRIPTION
1	Camshaft Bearing	FP-6130-21-1410		
1	Camshaft Bearing	FP-6130-21-1420		

(continued on next page)

4.3L 264 OHV L4, 4.1338" Bore 33
(cont.)

ENGINE BLOCK & PARTS (cont.)

QTY	CAM BEARINGS (cont.)	PART NO.	SIZE	DESCRIPTION
1	Camshaft Bearing	FP-6130-21-1430		
QTY	GASKET SETS	PART NO.	SIZE	DESCRIPTION
1	Conversion Gasket Set	FP-6130-K2-9901		
QTY	GASKETS	PART NO.	SIZE	DESCRIPTION
1	Oil Pan Gasket	FP-6130-21-5812		

FUEL SYSTEM & PARTS

QTY	FUEL INJECTION	PART NO.	SIZE	DESCRIPTION
4	Fuel Injector Sleeve	FP-6130-11-1131		

INT & EXH MANIFOLDS

QTY	INT. & EXH. MANIFOLDS	PART NO.	SIZE	DESCRIPTION
1	Exhaust Manifold Gasket	FP-6132-11-5810		

4.3L 264 OHV L4, 4.1338" Bore 34
Dozer

S4D105; Build Series 3C; Eng. Ser. No. 44579-Up; Model D45P-1; Model Ser. No. 1501-Up

CAMSHAFT GROUP

QTY	CAMSHAFT/LIFTER	PART NO.	SIZE	DESCRIPTION
8	Lifter	FP-6130-41-2113		

COOLING SYSTEM

QTY	THERMOSTAT	PART NO.	SIZE	DESCRIPTION
1	O-Ring	FP-6140-11-6331		
1	Thermostat	FP-600-421-6110		
QTY	WATER PUMP	PART NO.	SIZE	DESCRIPTION
1	Water Pump - Heavy Duty	FP-6131-62-1205		

CRANKSHAFT/OIL PUMP

QTY	CRANKSHAFT	PART NO.	SIZE	DESCRIPTION
1	Crankshaft	FP-6131-32-1101		
QTY	MAIN BEARINGS	PART NO.	SIZE	DESCRIPTION
1	Main Bearing Set	FP-6130-29-8101	.25MM	Set
1	Main Bearing Set	FP-6130-28-8101	.50MM	Set
1	Main Bearing Set	FP-6130-27-8101	.75MM	Set
1	Main Bearing Set	FP-6130-26-8101	1.00MM	Set
3	Main Bearing, Flanged	FP-6130-21-8011	STD	1-2-4
2	Main Bearing, Flanged	FP-6130-21-8021	STD	3-5
1	Thrust Washer	FP-6130-21-8500	STD	
1	Thrust Washer	FP-6130-29-8500	.25MM	
1	Thrust Washer	FP-6130-28-8500	.50MM	
1	Thrust Washer	FP-6130-27-8500	.75MM	
1	Thrust Washer	FP-6130-26-8500	1.00MM	
QTY	OIL PUMP	PART NO.	SIZE	DESCRIPTION
1	Oil Pump	FP-6131-52-1001		
QTY	SEALS - FRONT CRANK	PART NO.	SIZE	DESCRIPTION
1	Oil Seal	FP-6130-22-3290		
QTY	SEALS - REAR CRANK	PART NO.	SIZE	DESCRIPTION
1	Oil Seal	FP-6130-21-4231		

CYL. HEAD & PARTS

QTY	GASKETS	PART NO.	SIZE	DESCRIPTION
1	Head Gasket	FP-6131-11-1812		
1	Head Gasket Set	FP-6131-K1-9901		
1	Valve Cover Gasket	FP-6130-11-7821		
QTY	VALVE	PART NO.	SIZE	DESCRIPTION
16	Valve Keeper	FP-6130-41-4520		Int. & Exh.
4	Valve, Exhaust	FP-6130-41-4210	STD	
4	Valve, Intake	FP-6131-42-4110		
QTY	VALVE GUIDE	PART NO.	SIZE	DESCRIPTION
8	Valve Guide	FP-6130-19-1310		
QTY	VALVE SEAL	PART NO.	SIZE	DESCRIPTION
4	Valve Stem Seal	FP-6130-41-4541		

(continued on next page)

34 4.3L 264 OHV L4, 4.1338" Bore				
(cont.)				
CYL. HEAD & PARTS (cont.)				
QTY	VALVE SEAT	PART NO.	SIZE	DESCRIPTION
4	Valve Seat	FP-6130-11-1323		Exh.
4	Valve Seat	FP-6131-12-1310		Int.
QTY	VALVE SPRING	PART NO.	SIZE	DESCRIPTION
8	Valve Spring	FP-6130-41-4410		
8	Valve Spring Seat	FP-6130-41-4511		Upper
8	Valve Spring Seat	FP-6130-41-4620		Lower
CYLINDER COMPONENTS				
QTY	CONNECTING RODS & BRGS.	PART NO.	SIZE	DESCRIPTION
4	Connecting Rod Bearing Pair	FP-6130-31-3041	STD	
4	Connecting Rod Bearing Pair	FP-6130-39-3041	.25MM	
4	Connecting Rod Bearing Pair	FP-6130-38-3041	.50MM	
4	Connecting Rod Bearing Pair	FP-6130-37-3041	.75MM	
4	Connecting Rod Bearing Pair	FP-6130-36-3041	1.00MM	
QTY	LINERS	PART NO.	SIZE	DESCRIPTION
4	Cylinder Kit Complete	FP-LK322120		
4	Liner w/o Sealing Ring	FP-6130-22-2310		
4	O-Ring	FP-6130-21-2220		
4	O-Ring	FP-6130-21-2230		
QTY	PISTON RINGS	PART NO.	SIZE	DESCRIPTION
4	Ring Set, Single Cylinder	FP-6131-32-2302		
QTY	PISTONS	PART NO.	SIZE	DESCRIPTION
4	Piston Body w/o Pin	FP-6131-32-2120		
4	Piston Pin	FP-6130-31-2410		
4	Piston Pin Bushing	FP-6130-31-3130		
8	Piston Pin Retainer	FP-6130-31-2510		
ENGINE BLOCK & PARTS				
QTY	CAM BEARINGS	PART NO.	SIZE	DESCRIPTION
1	Camshaft Bearing	FP-6130-21-1410		
1	Camshaft Bearing	FP-6130-21-1420		
1	Camshaft Bearing	FP-6130-21-1430		
QTY	GASKET SETS	PART NO.	SIZE	DESCRIPTION
1	Conversion Gasket Set	FP-6130-K2-9901		
QTY	GASKETS	PART NO.	SIZE	DESCRIPTION
1	Oil Pan Gasket	FP-6130-21-5812		
FUEL SYSTEM & PARTS				
QTY	FUEL INJECTION	PART NO.	SIZE	DESCRIPTION
4	Fuel Injector Sleeve	FP-6130-11-1131		
INT & EXH MANIFOLDS				
QTY	INT. & EXH. MANIFOLDS	PART NO.	SIZE	DESCRIPTION
1	Exhaust Manifold Gasket	FP-6132-11-5810		
35 4.3L 264 OHV L4, 4.1338" Bore				
Excavator				
S4D105; Build Series 5A; From Eng. Ser. No. 100022 to 149999; Model PC100-1; Model Ser. No. 10001-Up				
S4D105; Build Series 5B; From Eng. Ser. No. 100028 to 149999; Model PC100-2; From Model Ser. No. 13001 to 18000				
S4D105; Build Series 5B; From Eng. Ser. No. 100028 to 149999; Model PC120-2; From Model Ser. No. 13001 to 18000				
S4D105; Build Series 5E; From Eng. Ser. No. 101262 to 149999; Model PW100-1; Model Ser. No. 1003-Up				
CAMSHAFT GROUP				
QTY	CAMSHAFT/LIFTER	PART NO.	SIZE	DESCRIPTION
8	Lifter	FP-6130-41-2113		
COOLING SYSTEM				
QTY	THERMOSTAT	PART NO.	SIZE	DESCRIPTION
1	O-Ring	FP-6136-11-6810		
1	Thermostat	FP-600-421-6210		
QTY	WATER PUMP	PART NO.	SIZE	DESCRIPTION
1	Water Pump - Heavy Duty	FP-6134-61-1100		

(continued on next page)

4.3L 264 OHV L4, 4.1338" Bore **35**
(cont.)

CRANKSHAFT/OIL PUMP				
QTY	CRANKSHAFT	PART NO.	SIZE	DESCRIPTION
1	Crankshaft	FP-6134-31-1100		
QTY	MAIN BEARINGS	PART NO.	SIZE	DESCRIPTION
5	Main Bearing, Flanged	FP-6136-21-8010	STD	
5	Main Bearing, Flanged	FP-6136-29-8010	.25MM	
5	Main Bearing, Flanged	FP-6136-28-8010	.50MM	
5	Main Bearing, Flanged	FP-6136-27-8010	.75MM	
5	Main Bearing, Flanged	FP-6136-26-8010	1.00MM	
1	Thrust Washer	FP-6134-21-8050	STD	
1	Thrust Washer	FP-6134-29-8050	.25MM	
1	Thrust Washer	FP-6134-28-8050	.50MM	
1	Thrust Washer	FP-6134-27-8050	.75MM	
1	Thrust Washer	FP-6134-26-8050	1.00MM	
QTY	OIL PUMP	PART NO.	SIZE	DESCRIPTION
1	Oil Pump	FP-6134-51-1000		
QTY	SEALS - FRONT CRANK	PART NO.	SIZE	DESCRIPTION
1	Oil Seal	FP-6136-22-3510		
QTY	SEALS - REAR CRANK	PART NO.	SIZE	DESCRIPTION
1	Oil Seal	FP-6130-21-4231		
CYL. HEAD & PARTS				
QTY	GASKETS	PART NO.	SIZE	DESCRIPTION
1	Head Gasket	FP-6135-12-1811		
1	Head Gasket Set	FP-6135-K1-9901		
1	Valve Cover Gasket	FP-6134-11-8810		
QTY	PUSH RODS	PART NO.	SIZE	DESCRIPTION
8	Push Rod	FP-6130-42-3110		
QTY	VALVE	PART NO.	SIZE	DESCRIPTION
16	Valve Keeper	FP-6136-41-4520		Int. & Exh.
4	Valve, Exhaust	FP-6136-41-4211		
4	Valve, Intake	FP-6136-41-4110		
QTY	VALVE GUIDE	PART NO.	SIZE	DESCRIPTION
8	Valve Guide	FP-6136-19-1331		
QTY	VALVE SEAT	PART NO.	SIZE	DESCRIPTION
4	Valve Seat	FP-6134-11-1320		Exh.
4	Valve Seat	FP-6136-11-1311		Int.
QTY	VALVE SPRING	PART NO.	SIZE	DESCRIPTION
8	Valve Spring	FP-6136-41-4410		
8	Valve Spring Seat	FP-6136-41-4510		Upper
8	Valve Spring Seat	FP-6136-41-4530		Lower
CYLINDER COMPONENTS				
QTY	CONNECTING RODS & BRGS.	PART NO.	SIZE	DESCRIPTION
4	Connecting Rod Bearing Pair	FP-6138-31-3040	STD	
4	Connecting Rod Bearing Pair	FP-6138-39-3050	.25MM	
4	Connecting Rod Bearing Pair	FP-6138-38-3050	.50MM	
4	Connecting Rod Bearing Pair	FP-6138-37-3050	.75MM	
4	Connecting Rod Bearing Pair	FP-6138-36-3050	1.00MM	
QTY	LINERS	PART NO.	SIZE	DESCRIPTION
4	Cylinder Kit Complete	FP-LK312112		
4	Liner w/o Sealing Ring	FP-6137-22-2210		
4	O-Ring	FP-6136-21-2230		
4	O-Ring	FP-6136-21-2240		
4	Sealing Ring, Liner	FP-6136-21-2220		
QTY	PISTON RINGS	PART NO.	SIZE	DESCRIPTION
4	Ring Set, Single Cylinder	FP-6137-31-2032		
QTY	PISTONS	PART NO.	SIZE	DESCRIPTION
4	Piston Body w/o Pin	FP-6137-31-2112		
4	Piston Kit w/Pin & Retainers	FP-6137-31-2012		
4	Piston Pin	FP-6137-31-2410		
4	Piston Pin Bushing	FP-6136-31-3130		
8	Piston Pin Retainer	FP-04065-04018		

(continued on next page)

35 4.3L 264 OHV L4, 4.1338" Bore				
<i>(cont.)</i>				
ENGINE BLOCK & PARTS				
QTY	CAM BEARINGS	PART NO.	SIZE	DESCRIPTION
3	Camshaft Bearing	FP-6136-21-1410		
QTY	GASKET SETS	PART NO.	SIZE	DESCRIPTION
1	Conversion Gasket Set	FP-6135-K2-9901		
QTY	GASKETS	PART NO.	SIZE	DESCRIPTION
2	Oil Pan Gasket	FP-6134-21-5830		
FUEL SYSTEM & PARTS				
QTY	FUEL INJECTION	PART NO.	SIZE	DESCRIPTION
4	Fuel Injector Sleeve	FP-6136-11-1130		
INT & EXH MANIFOLDS				
QTY	INT. & EXH. MANIFOLDS	PART NO.	SIZE	DESCRIPTION
2	Exhaust Manifold Gasket	FP-6135-11-5810		
2	Intake Manifold Gasket	FP-6136-11-4850		
36 4.3L 264 OHV L4, 4.1338" Bore				
Excavator				
S4D105; Build Series 5A; Eng. Ser. No. 1500001-Up; Model PC100-1; Model Ser. No. 10001-Up				
S4D105; Build Series 5B; Eng. Ser. No. 1500001-Up; Model PC100-2; From Model Ser. No. 13001 to 18000				
S4D105; Build Series 5B; Eng. Ser. No. 1500001-Up; Model PC120-2; Model Ser. No. 14001-Up				
S4D105; Build Series 5E; Eng. Ser. No. 1500007-Up; Model PW100-1; Model Ser. No. 1003-Up				
CAMSHAFT GROUP				
QTY	CAMSHAFT/LIFTER	PART NO.	SIZE	DESCRIPTION
8	Lifter	FP-6130-41-2113		
COOLING SYSTEM				
QTY	THERMOSTAT	PART NO.	SIZE	DESCRIPTION
1	O-Ring	FP-6136-11-6810		
1	Thermostat	FP-600-421-6210		
QTY	WATER PUMP	PART NO.	SIZE	DESCRIPTION
1	Water Pump - Heavy Duty	FP-6134-61-1100		
CRANKSHAFT/OIL PUMP				
QTY	CRANKSHAFT	PART NO.	SIZE	DESCRIPTION
1	Crankshaft	FP-6134-31-1100		
QTY	MAIN BEARINGS	PART NO.	SIZE	DESCRIPTION
5	Main Bearing, Flanged	FP-6136-21-8010	STD	
5	Main Bearing, Flanged	FP-6136-29-8010	.25MM	
5	Main Bearing, Flanged	FP-6136-28-8010	.50MM	
5	Main Bearing, Flanged	FP-6136-27-8010	.75MM	
5	Main Bearing, Flanged	FP-6136-26-8010	1.00MM	
1	Thrust Washer	FP-6134-21-8050	STD	
1	Thrust Washer	FP-6134-29-8050	.25MM	
1	Thrust Washer	FP-6134-28-8050	.50MM	
1	Thrust Washer	FP-6134-27-8050	.75MM	
1	Thrust Washer	FP-6134-26-8050	1.00MM	
QTY	OIL PUMP	PART NO.	SIZE	DESCRIPTION
1	Oil Pump	FP-6134-52-1100		
QTY	SEALS - FRONT CRANK	PART NO.	SIZE	DESCRIPTION
1	Oil Seal	FP-6136-22-3510		
QTY	SEALS - REAR CRANK	PART NO.	SIZE	DESCRIPTION
1	Oil Seal	FP-6130-21-4231		
CYL. HEAD & PARTS				
QTY	GASKETS	PART NO.	SIZE	DESCRIPTION
1	Head Gasket	FP-6135-12-1811		
1	Head Gasket Set	FP-6135-K1-9901		
1	Valve Cover Gasket	FP-6134-11-8810		
QTY	PUSH RODS	PART NO.	SIZE	DESCRIPTION
8	Push Rod	FP-6130-42-3110		
QTY	VALVE	PART NO.	SIZE	DESCRIPTION
16	Valve Keeper	FP-6136-42-4520		Int. & Exh.
4	Valve, Exhaust	FP-6136-42-4211	STD	
4	Valve, Intake	FP-6136-42-4110		

(continued on next page)

4.3L 264 OHV L4, 4.1338" Bore 36
(cont.)

CYL. HEAD & PARTS (cont.)

QTY	VALVE GUIDE	PART NO.	SIZE	DESCRIPTION
8	Valve Guide	FP-6136-19-1430		
QTY	VALVE SEAT	PART NO.	SIZE	DESCRIPTION
4	Valve Seat	FP-6134-11-1320		Exh.
4	Valve Seat	FP-6136-12-1310		Int.
QTY	VALVE SPRING	PART NO.	SIZE	DESCRIPTION
8	Valve Spring	FP-6136-42-4410		
8	Valve Spring Seat	FP-6136-41-4530		Lower
8	Valve Spring Seat	FP-6136-42-4510		Upper

CYLINDER COMPONENTS

QTY	CONNECTING RODS & BRGS.	PART NO.	SIZE	DESCRIPTION
4	Connecting Rod Bearing Pair	FP-6138-31-3040	STD	
4	Connecting Rod Bearing Pair	FP-6138-39-3050	.25MM	
4	Connecting Rod Bearing Pair	FP-6138-38-3050	.50MM	
4	Connecting Rod Bearing Pair	FP-6138-37-3050	.75MM	
4	Connecting Rod Bearing Pair	FP-6138-36-3050	1.00MM	
QTY	LINERS	PART NO.	SIZE	DESCRIPTION
4	Cylinder Kit Complete	FP-LK72110		
4	Liner w/o Sealing Ring	FP-6137-22-2210		
4	O-Ring	FP-6136-21-2230		
4	O-Ring	FP-6136-21-2240		
4	Sealing Ring, Liner	FP-6136-21-2220		
QTY	PISTON RINGS	PART NO.	SIZE	DESCRIPTION
4	Ring Set, Single Cylinder	FP-6137-31-2032		
QTY	PISTONS	PART NO.	SIZE	DESCRIPTION
4	Piston Body w/o Pin	FP-6137-32-2110		
4	Piston Kit w/Pin & Retainers	FP-6137-32-2010		
4	Piston Pin	FP-6137-31-2410		
4	Piston Pin Bushing	FP-6136-32-3130		
8	Piston Pin Retainer	FP-04065-04018		

ENGINE BLOCK & PARTS

QTY	CAM BEARINGS	PART NO.	SIZE	DESCRIPTION
3	Camshaft Bearing	FP-6136-21-1410		
QTY	GASKET SETS	PART NO.	SIZE	DESCRIPTION
1	Conversion Gasket Set	FP-6135-K2-9901		
QTY	GASKETS	PART NO.	SIZE	DESCRIPTION
2	Oil Pan Gasket	FP-6134-21-5830		

FUEL SYSTEM & PARTS

QTY	FUEL INJECTION	PART NO.	SIZE	DESCRIPTION
4	Fuel Injector Sleeve	FP-6136-11-1130		

INT & EXH MANIFOLDS

QTY	INT. & EXH. MANIFOLDS	PART NO.	SIZE	DESCRIPTION
2	Exhaust Manifold Gasket	FP-6135-11-5810		
2	Intake Manifold Gasket	FP-6136-11-4850		

4.3L 264 OHV L4, 4.1338" Bore 37
Grader

4D105; Build Series 5J; Eng. Ser. No. 102876-Up; Model GD300A; Model Ser. No. 2001-Up

CAMSHAFT GROUP

QTY	CAMSHAFT/LIFTER	PART NO.	SIZE	DESCRIPTION
8	Lifter	FP-6130-41-2113		

COOLING SYSTEM

QTY	THERMOSTAT	PART NO.	SIZE	DESCRIPTION
1	O-Ring	FP-6136-11-6810		
1	Thermostat	FP-600-421-6210		
QTY	WATER PUMP	PART NO.	SIZE	DESCRIPTION
1	Water Pump - Heavy Duty	FP-6134-61-1410		

(continued on next page)

37 4.3L 264 OHV L4, 4.1338" Bore

(cont.)

CRANKSHAFT/OIL PUMP				
QTY	CRANKSHAFT	PART NO.	SIZE	DESCRIPTION
1	Crankshaft	FP-6134-31-1100		
QTY	MAIN BEARINGS	PART NO.	SIZE	DESCRIPTION
5	Main Bearing, Flanged	FP-6136-21-8010	STD	
5	Main Bearing, Flanged	FP-6136-29-8010	.25MM	
5	Main Bearing, Flanged	FP-6136-28-8010	.50MM	
5	Main Bearing, Flanged	FP-6136-27-8010	.75MM	
5	Main Bearing, Flanged	FP-6136-26-8010	1.00MM	
1	Thrust Washer	FP-6134-21-8050	STD	
1	Thrust Washer	FP-6134-29-8050	.25MM	
1	Thrust Washer	FP-6134-28-8050	.50MM	
1	Thrust Washer	FP-6134-27-8050	.75MM	
1	Thrust Washer	FP-6134-26-8050	1.00MM	
QTY	OIL PUMP	PART NO.	SIZE	DESCRIPTION
1	Oil Pump	FP-6134-51-1000		From Eng. Ser. No. 102876 to 149999
1	Oil Pump	FP-6134-52-1100		Eng. Ser. No. 150001-Up
QTY	SEALS - FRONT CRANK	PART NO.	SIZE	DESCRIPTION
1	Oil Seal	FP-6136-22-3510		
QTY	SEALS - REAR CRANK	PART NO.	SIZE	DESCRIPTION
1	Oil Seal	FP-6130-22-4231		
CYL. HEAD & PARTS				
QTY	GASKETS	PART NO.	SIZE	DESCRIPTION
1	Head Gasket	FP-6135-12-1811		
1	Head Gasket Set	FP-6134-K1-9901		
1	Valve Cover Gasket	FP-6134-11-8810		
QTY	PUSH RODS	PART NO.	SIZE	DESCRIPTION
8	Push Rod	FP-6130-42-3110		
QTY	VALVE	PART NO.	SIZE	DESCRIPTION
16	Valve Keeper	FP-6136-41-4520		Int. & Exh.
4	Valve, Exhaust	FP-6136-41-4211		
4	Valve, Intake	FP-6136-41-4110		
QTY	VALVE GUIDE	PART NO.	SIZE	DESCRIPTION
8	Valve Guide	FP-6136-19-1331		
QTY	VALVE SEAT	PART NO.	SIZE	DESCRIPTION
4	Valve Seat	FP-6134-11-1320		Exh.
4	Valve Seat	FP-6136-11-1311		Int.
QTY	VALVE SPRING	PART NO.	SIZE	DESCRIPTION
8	Valve Spring	FP-6136-41-4410		
8	Valve Spring Seat	FP-6136-41-4510		Upper; From Eng. Ser. No. 102876 to 149999
8	Valve Spring Seat	FP-6136-41-4530		Lower
8	Valve Spring Seat	FP-6136-42-4510		Upper; Eng. Ser. No. 150001-Up
CYLINDER COMPONENTS				
QTY	CONNECTING RODS & BRGS.	PART NO.	SIZE	DESCRIPTION
4	Connecting Rod Bearing Pair	FP-6138-31-3040	STD	
4	Connecting Rod Bearing Pair	FP-6138-39-3040	.25MM	
4	Connecting Rod Bearing Pair	FP-6138-38-3040	.50MM	
4	Connecting Rod Bearing Pair	FP-6138-37-3040	.75MM	
4	Connecting Rod Bearing Pair	FP-6138-36-3040	1.00MM	
QTY	LINERS	PART NO.	SIZE	DESCRIPTION
4	Cylinder Kit Complete	FP-LK322110		
4	Liner w/o Sealing Ring	FP-6137-22-2210		
4	O-Ring	FP-6136-21-2230		
4	O-Ring	FP-6136-21-2240		
4	Sealing Ring, Liner	FP-6136-21-2220		
QTY	PISTON RINGS	PART NO.	SIZE	DESCRIPTION
4	Ring Set, Single Cylinder	FP-6136-31-2030		
QTY	PISTONS	PART NO.	SIZE	DESCRIPTION
4	Piston Body w/o Pin	FP-6136-32-2110		
4	Piston Kit w/Pin & Retainers	FP-6136-32-2010		
4	Piston Pin	FP-6136-31-2410		
4	Piston Pin Bushing	FP-6136-31-3130		
8	Piston Pin Retainer	FP-04065-04018		

(continued on next page)

4.3L 264 OHV L4, 4.1338" Bore **37** (cont.)

ENGINE BLOCK & PARTS

QTY	CAM BEARINGS	PART NO.	SIZE	DESCRIPTION
3	Camshaft Bearing	FP-6136-21-1410		
QTY	GASKET SETS	PART NO.	SIZE	DESCRIPTION
1	Conversion Gasket Set	FP-6134-K2-9901		
QTY	GASKETS	PART NO.	SIZE	DESCRIPTION
2	Oil Pan Gasket	FP-6134-21-5830		

FUEL SYSTEM & PARTS

QTY	FUEL INJECTION	PART NO.	SIZE	DESCRIPTION
4	Fuel Injector Sleeve	FP-6136-11-1130		

INT & EXH MANIFOLDS

QTY	INT. & EXH. MANIFOLDS	PART NO.	SIZE	DESCRIPTION
2	Exhaust Manifold Gasket	FP-6135-11-5810		
2	Intake Manifold Gasket	FP-6136-11-4850		

4.9L 298 OHV L6, 3.7402" Bore **38** *Dozer*

6D95L; Build Series 1AA; Eng. Ser. No. 29222-Up; Model D31E-18; Model Ser. No. 40001-Up
 6D95L; Build Series 1AA; Eng. Ser. No. 29222-Up; Model D31P-18; Model Ser. No. 40001-Up
 6D95L; Build Series 1AA; Eng. Ser. No. 29222-Up; Model D31P-18A; Model Ser. No. 40001-Up
 6D95L; Build Series 1AA; Eng. Ser. No. 29222-Up; Model D31Q-18; Model Ser. No. 40001-Up
 6D95L; Build Series 1AA; Eng. Ser. No. 29222-Up; Model D31S-18; Model Ser. No. 40001-Up
 6D95L; Build Series 1BB; Eng. Ser. No. 29245-Up; Model D37E-2; From Model Ser. No. 1501 to 2500
 6D95L; Build Series 1BB; Eng. Ser. No. 29245-Up; Model D37P-2; From Model Ser. No. 1501 to 2500

CAMSHAFT GROUP

QTY	CAMSHAFT/LIFTER	PART NO.	SIZE	DESCRIPTION
12	Lifter	FP-6204-41-2110		

COOLING SYSTEM

QTY	THERMOSTAT	PART NO.	SIZE	DESCRIPTION
1	O-Ring	FP-6140-11-6331		
1	Thermostat	FP-600-421-6110		
QTY	WATER PUMP	PART NO.	SIZE	DESCRIPTION
1	Water Pump - Heavy Duty	FP-6206-61-1505		

CRANKSHAFT/OIL PUMP

QTY	CRANKSHAFT	PART NO.	SIZE	DESCRIPTION
1	Crankshaft	FP-6207-31-1100		
QTY	MAIN BEARINGS	PART NO.	SIZE	DESCRIPTION
7	Main Bearing, Flanged	FP-6204-21-8100		STD
7	Main Bearing, Flanged	FP-6204-29-8100		.25MM
7	Main Bearing, Flanged	FP-6204-28-8100		.50MM
7	Main Bearing, Flanged	FP-6204-27-8100		.75MM
7	Main Bearing, Flanged	FP-6204-26-8100		1.00MM
1	Thrust Washer	FP-6204-21-8500		STD
1	Thrust Washer	FP-6204-29-8500		.25MM
1	Thrust Washer	FP-6204-28-8500		.50MM
1	Thrust Washer	FP-6204-27-8500		.75MM
1	Thrust Washer	FP-6204-26-8500		1.00MM
QTY	OIL PUMP	PART NO.	SIZE	DESCRIPTION
1	Oil Pump	FP-6206-51-1201		
QTY	SEALS - FRONT CRANK	PART NO.	SIZE	DESCRIPTION
1	Oil Seal	FP-6204-21-3510		
QTY	SEALS - REAR CRANK	PART NO.	SIZE	DESCRIPTION
1	Oil Seal	FP-6141-21-1332		

CYL. HEAD & PARTS

QTY	GASKETS	PART NO.	SIZE	DESCRIPTION
1	Head Gasket	FP-6206-11-1830		
1	Head Gasket Set	FP-6206-K1-9901		
1	Valve Cover Gasket	FP-6206-11-8810		
QTY	PUSH RODS	PART NO.	SIZE	DESCRIPTION
12	Push Rod	FP-6204-41-3110		

(continued on next page)

38 4.9L 298 OHV L6, 3.7402" Bore				
(cont.)				
CYL. HEAD & PARTS (cont.)				
QTY	VALVE	PART NO.	SIZE	DESCRIPTION
24	Valve Keeper	FP-6204-41-4520		Int. & Exh.
6	Valve, Exhaust	FP-6204-41-4210		
6	Valve, Intake	FP-6207-41-4110		
QTY	VALVE GUIDE	PART NO.	SIZE	DESCRIPTION
12	Valve Guide	FP-6204-19-1310		
QTY	VALVE SEAL	PART NO.	SIZE	DESCRIPTION
12	Valve Stem Seal	FP-6204-41-4540		
QTY	VALVE SEAT	PART NO.	SIZE	DESCRIPTION
6	Valve Seat	FP-6204-11-1440		Exh.
6	Valve Seat	FP-6207-11-1430		Int.
QTY	VALVE SPRING	PART NO.	SIZE	DESCRIPTION
12	Valve Spring	FP-6204-41-4410		Upper
12	Valve Spring Seat	FP-6204-41-4510		
CYLINDER COMPONENTS				
QTY	CONNECTING RODS & BRGS.	PART NO.	SIZE	DESCRIPTION
6	Connecting Rod Bearing Pair	FP-6207-31-3300	STD	
6	Connecting Rod Bearing Pair	FP-6207-39-3300	.25MM	
6	Connecting Rod Bearing Pair	FP-6207-38-3300	.50MM	
6	Connecting Rod Bearing Pair	FP-6207-37-3300	.75MM	
6	Connecting Rod Bearing Pair	FP-6207-36-3300	1.00MM	
QTY	LINERS	PART NO.	SIZE	DESCRIPTION
6	Cylinder Kit Complete	FP-LK2121		
6	Liner w/o Sealing Ring	FP-6207-21-2121		
QTY	PISTON RINGS	PART NO.	SIZE	DESCRIPTION
6	Ring Set, Single Cylinder	FP-6204-31-2203		
QTY	PISTONS	PART NO.	SIZE	DESCRIPTION
6	Piston Body w/o Pin	FP-6204-31-2121		
6	Piston Pin	FP-6204-31-2410		
6	Piston Pin Bushing	FP-6204-31-3130		
12	Piston Pin Retainer	FP-04065-03012		
ENGINE BLOCK & PARTS				
QTY	CAM BEARINGS	PART NO.	SIZE	DESCRIPTION
3	Camshaft Bearing	FP-6206-21-1420		
1	Camshaft Bearing	FP-6206-21-1430		
QTY	GASKET SETS	PART NO.	SIZE	DESCRIPTION
1	Conversion Gasket Set	FP-6206-K2-0901		
QTY	GASKETS	PART NO.	SIZE	DESCRIPTION
1	Chemicals	FP-1816593		Oil pan; RTV Sealant
1	Oil Pan Gasket	FP-6206-21-5812		
INT & EXH MANIFOLDS				
QTY	INT. & EXH. MANIFOLDS	PART NO.	SIZE	DESCRIPTION
2	Exhaust Manifold Gasket	FP-6207-11-5810		
1	Intake Manifold Gasket	FP-6136-11-4850		

4.9L 298 OHV L6, 3.7402" Bore 39

Dozer

6D95L; Build Series 1AC-E; Eng. Ser. No. 96999-Up; Model D31E-20; Model Ser. No. 40087-Up
 6D95L; Build Series 1AC-E; Eng. Ser. No. 96999-Up; Model D31E-20; Model Ser. No. A40523-Up
 6D95L; Build Series 1AC-E; Eng. Ser. No. 96999-Up; Model D31P-20; Model Ser. No. 45001-Up
 6D95L; Build Series 1AC-E; Eng. Ser. No. 96999-Up; Model D31P-20A; Model Ser. No. 45001-Up
 6D95L; Build Series 1AC-E; Eng. Ser. No. 96999-Up; Model D31PL-20; Model Ser. No. 45001-Up
 6D95L; Build Series 1AC-E; Eng. Ser. No. 96999-Up; Model D31PLL-20; Model Ser. No. 45001-Up
 6D95L; Build Series 1AC-E; Eng. Ser. No. 96999-Up; Model D37E-5; Model Ser. No. 1606-Up
 6D95L; Build Series 1AC-E; Eng. Ser. No. 96999-Up; Model D37E-5; Model Ser. No. A1924-Up
 6D95L; Build Series 1AC-E; Eng. Ser. No. 96999-Up; Model D37P-5A; Model Ser. No. 1543-Up
 6D95L; Build Series 1VV; Eng. Ser. No. 69586-Up; Model D37E-2; Model Ser. No. 2501-Up
 6D95L; Build Series 1VV; Eng. Ser. No. 69586-Up; Model D37P-2; Model Ser. No. 2501-Up

CAMSHAFT GROUP

QTY	CAMSHAFT/LIFTER	PART NO.	SIZE	DESCRIPTION
12	Lifter	FP-6204-41-2110		

COOLING SYSTEM

QTY	THERMOSTAT	PART NO.	SIZE	DESCRIPTION
1	O-Ring	FP-6140-11-6331		
1	Thermostat	FP-600-421-6110		

QTY	WATER PUMP	PART NO.	SIZE	DESCRIPTION
1	Water Pump - Heavy Duty	FP-6206-61-1505		

CRANKSHAFT/OIL PUMP

QTY	CRANKSHAFT	PART NO.	SIZE	DESCRIPTION
1	Crankshaft	FP-6207-31-1100		

QTY	MAIN BEARINGS	PART NO.	SIZE	DESCRIPTION
7	Main Bearing, Flanged	FP-6204-21-8100	STD	
7	Main Bearing, Flanged	FP-6204-29-8100	.25MM	
7	Main Bearing, Flanged	FP-6204-28-8100	.50MM	
7	Main Bearing, Flanged	FP-6204-27-8100	.75MM	
7	Main Bearing, Flanged	FP-6204-26-8100	1.00MM	
1	Thrust Washer	FP-6204-21-8500	STD	
1	Thrust Washer	FP-6204-29-8500	.25MM	
1	Thrust Washer	FP-6204-28-8500	.50MM	
1	Thrust Washer	FP-6204-27-8500	.75MM	
1	Thrust Washer	FP-6204-26-8500	1.00MM	

QTY	OIL PUMP	PART NO.	SIZE	DESCRIPTION
1	Oil Pump	FP-6206-51-1201		

QTY	SEALS - FRONT CRANK	PART NO.	SIZE	DESCRIPTION
1	Oil Seal	FP-6204-21-3510		

QTY	SEALS - REAR CRANK	PART NO.	SIZE	DESCRIPTION
1	Oil Seal	FP-6141-21-1332		

CYL. HEAD & PARTS

QTY	GASKETS	PART NO.	SIZE	DESCRIPTION
1	Head Gasket	FP-6206-11-1830		
1	Head Gasket Set	FP-6206-K1-9901		
1	Valve Cover Gasket	FP-6206-11-8810		

QTY	PUSH RODS	PART NO.	SIZE	DESCRIPTION
12	Push Rod	FP-6204-41-3110		

QTY	VALVE	PART NO.	SIZE	DESCRIPTION
24	Valve Keeper	FP-6204-41-4520		Int. & Exh.
6	Valve, Exhaust	FP-6204-41-4210		
6	Valve, Intake	FP-6207-41-4110		

QTY	VALVE GUIDE	PART NO.	SIZE	DESCRIPTION
12	Valve Guide	FP-6204-19-1310		

QTY	VALVE SEAL	PART NO.	SIZE	DESCRIPTION
12	Valve Stem Seal	FP-6204-41-4540		

QTY	VALVE SEAT	PART NO.	SIZE	DESCRIPTION
6	Valve Seat	FP-6204-11-1440		Exh.
6	Valve Seat	FP-6207-11-1430		Int.

QTY	VALVE SPRING	PART NO.	SIZE	DESCRIPTION
12	Valve Spring	FP-6204-41-4410		
12	Valve Spring Seat	FP-6204-41-4510		Upper

(continued on next page)

39 4.9L 298 OHV L6, 3.7402" Bore (cont.)

CYLINDER COMPONENTS				
QTY	CONNECTING RODS & BRGS.	PART NO.	SIZE	DESCRIPTION
6	Connecting Rod Bearing Pair	FP-6207-31-3300	STD	
6	Connecting Rod Bearing Pair	FP-6207-39-3300	.25MM	
6	Connecting Rod Bearing Pair	FP-6207-38-3300	.50MM	
6	Connecting Rod Bearing Pair	FP-6207-37-3300	.75MM	
6	Connecting Rod Bearing Pair	FP-6207-36-3300	1.00MM	
QTY	LINERS	PART NO.	SIZE	DESCRIPTION
6	Cylinder Kit Complete	FP-LK332140		
6	Liner w/o Sealing Ring	FP-6207-21-2121		
QTY	PISTON RINGS	PART NO.	SIZE	DESCRIPTION
6	Ring Set, Single Cylinder	FP-6204-31-2203		
QTY	PISTONS	PART NO.	SIZE	DESCRIPTION
6	Piston Body w/o Pin	FP-6206-33-2140		
6	Piston Pin	FP-6204-31-2410		
6	Piston Pin Bushing	FP-6204-31-3130		
12	Piston Pin Retainer	FP-04065-03012		
ENGINE BLOCK & PARTS				
QTY	CAM BEARINGS	PART NO.	SIZE	DESCRIPTION
3	Camshaft Bearing	FP-6206-21-1420		
1	Camshaft Bearing	FP-6206-21-1430		
QTY	GASKET SETS	PART NO.	SIZE	DESCRIPTION
1	Conversion Gasket Set	FP-6206-K2-0901		
QTY	GASKETS	PART NO.	SIZE	DESCRIPTION
1	Chemicals	FP-1816593		Oil pan; RTV Sealant
INT & EXH MANIFOLDS				
QTY	INT. & EXH. MANIFOLDS	PART NO.	SIZE	DESCRIPTION
2	Exhaust Manifold Gasket	FP-6207-11-5810		
1	Intake Manifold Gasket	FP-6136-11-4850		

40 4.9L 298 OHV L6, 3.7402" Bore Excavator

6D95L; Build Series 1A; Eng. Ser. No. 10001-Up; Model PC100-3; Model Ser. No. 18001-Up
 6D95L; Build Series 1A; Eng. Ser. No. 10001-Up; Model PC100L-3; Model Ser. No. 12001-Up
 6D95L; Build Series 1B; Eng. Ser. No. 29245-Up; Model PC120-3; Model Ser. No. 18001-Up
 6D95L; Build Series 1C; Eng. Ser. No. 10001-Up; Model PW150-1; Model Ser. No. 1001-Up

CAMSHAFT GROUP				
QTY	CAMSHAFT/LIFTER	PART NO.	SIZE	DESCRIPTION
12	Lifter	FP-6204-41-2110		
COOLING SYSTEM				
QTY	THERMOSTAT	PART NO.	SIZE	DESCRIPTION
1	O-Ring	FP-6140-11-6331		
1	Thermostat	FP-600-421-6110		
QTY	WATER PUMP	PART NO.	SIZE	DESCRIPTION
1	Water Pump - Heavy Duty	FP-6206-61-1104		
CRANKSHAFT/OIL PUMP				
QTY	CRANKSHAFT	PART NO.	SIZE	DESCRIPTION
1	Crankshaft	FP-6207-31-1100		
QTY	MAIN BEARINGS	PART NO.	SIZE	DESCRIPTION
7	Main Bearing, Flanged	FP-6204-21-8100	STD	
7	Main Bearing, Flanged	FP-6204-29-8100	.25MM	
7	Main Bearing, Flanged	FP-6204-28-8100	.50MM	
7	Main Bearing, Flanged	FP-6204-27-8100	.75MM	
7	Main Bearing, Flanged	FP-6204-26-8100	1.00MM	
1	Thrust Washer	FP-6204-21-8500	STD	
1	Thrust Washer	FP-6204-29-8500	.25MM	
1	Thrust Washer	FP-6204-28-8500	.50MM	
1	Thrust Washer	FP-6204-27-8500	.75MM	
1	Thrust Washer	FP-6204-26-8500	1.00MM	
QTY	OIL PUMP	PART NO.	SIZE	DESCRIPTION
1	Oil Pump	FP-6206-51-1201		

(continued on next page)

4.9L 298 OHV L6, 3.7402" Bore 40
(cont.)

CRANKSHAFT/OIL PUMP (cont.)				
QTY	SEALS - FRONT CRANK	PART NO.	SIZE	DESCRIPTION
1	Oil Seal	FP-6204-21-3510		
QTY	SEALS - REAR CRANK	PART NO.	SIZE	DESCRIPTION
1	Oil Seal	FP-6141-21-1332		
CYL. HEAD & PARTS				
QTY	GASKETS	PART NO.	SIZE	DESCRIPTION
1	Head Gasket	FP-6206-11-1830		
1	Head Gasket Set	FP-6206-K1-9901		
1	Valve Cover Gasket	FP-6206-11-8810		
QTY	PUSH RODS	PART NO.	SIZE	DESCRIPTION
12	Push Rod	FP-6204-41-3110		
QTY	VALVE	PART NO.	SIZE	DESCRIPTION
24	Valve Keeper	FP-6204-41-4520		Int. & Exh.
6	Valve, Exhaust	FP-6204-41-4210		
6	Valve, Intake	FP-6207-41-4110		
QTY	VALVE GUIDE	PART NO.	SIZE	DESCRIPTION
12	Valve Guide	FP-6204-19-1310		
QTY	VALVE SEAL	PART NO.	SIZE	DESCRIPTION
12	Valve Stem Seal	FP-6204-41-4540		
QTY	VALVE SEAT	PART NO.	SIZE	DESCRIPTION
6	Valve Seat	FP-6204-11-1440		Exh.
6	Valve Seat	FP-6207-11-1430		Int.
QTY	VALVE SPRING	PART NO.	SIZE	DESCRIPTION
12	Valve Spring	FP-6204-41-4410		
12	Valve Spring Seat	FP-6204-41-4510		Upper
CYLINDER COMPONENTS				
QTY	CONNECTING RODS & BRGS.	PART NO.	SIZE	DESCRIPTION
6	Connecting Rod Bearing Pair	FP-6207-31-3300		STD
6	Connecting Rod Bearing Pair	FP-6207-39-3300		.25MM
6	Connecting Rod Bearing Pair	FP-6207-38-3300		.50MM
6	Connecting Rod Bearing Pair	FP-6207-37-3300		.75MM
6	Connecting Rod Bearing Pair	FP-6207-36-3300		1.00MM
QTY	LINERS	PART NO.	SIZE	DESCRIPTION
6	Cylinder Kit Complete	FP-LK2121		
6	Liner w/o Sealing Ring	FP-6207-21-2121		
QTY	PISTON RINGS	PART NO.	SIZE	DESCRIPTION
6	Ring Set, Single Cylinder	FP-6204-31-2203		
QTY	PISTONS	PART NO.	SIZE	DESCRIPTION
6	Piston Body w/o Pin	FP-6204-31-2121		
6	Piston Pin	FP-6204-31-2410		
6	Piston Pin Bushing	FP-6204-31-3130		
12	Piston Pin Retainer	FP-04065-03012		
ENGINE BLOCK & PARTS				
QTY	CAM BEARINGS	PART NO.	SIZE	DESCRIPTION
3	Camshaft Bearing	FP-6206-21-1420		
1	Camshaft Bearing	FP-6206-21-1430		
QTY	GASKET SETS	PART NO.	SIZE	DESCRIPTION
1	Conversion Gasket Set	FP-6206-K2-0901		
QTY	GASKETS	PART NO.	SIZE	DESCRIPTION
1	Chemicals	FP-1816593		Oil pan; RTV Sealant
1	Oil Pan Gasket	FP-6206-21-5812		
INT & EXH MANIFOLDS				
QTY	INT. & EXH. MANIFOLDS	PART NO.	SIZE	DESCRIPTION
2	Exhaust Manifold Gasket	FP-6207-11-5810		
1	Intake Manifold Gasket	FP-6136-11-4850		

41 4.9L 298 OHV L6, 3.7402" Bore

Excavator

S6D95L; Build Series 1C; Eng. Ser. No. 10001-Up; Model PC150-3; Model Ser. No. 3001-Up
 S6D95L; Build Series 1C; Eng. Ser. No. 10001-Up; Model PC150LC-3; Model Ser. No. 3001-Up
 S6D95L; Build Series 1D; Eng. Ser. No. 15060-Up; Model PW100-3; From Model Ser. No. 1601 to 2300
 S6D95L; Build Series 1P; Eng. Ser. No. 27750-Up; Model PC180LC-3; Model Ser. No. 1001-Up
 S6D95L; Build Series 1P; Eng. Ser. No. 27750-Up; Model PC180LC-3K; Model Ser. No. 1001-Up
 S6D95L; Build Series 1P; Eng. Ser. No. 27750-Up; Model PC180LLC-3; Model Ser. No. 1001-Up
 S6D95L; Build Series 1P; Eng. Ser. No. 27750-Up; Model PC180LLC-3K; Model Ser. No. 1001-Up
 S6D95L; Build Series 1P; Eng. Ser. No. 27750-Up; Model PC180NLC-3K; Model Ser. No. 1001-Up
 S6D95L; Build Series 1W; Eng. Ser. No. 36830-Up; Model PW100-3; Model Ser. No. 2301-Up

CAMSHAFT GROUP

QTY	CAMSHAFT/LIFTER	PART NO.	SIZE	DESCRIPTION
12	Lifter	FP-6204-41-2110		

COOLING SYSTEM

QTY	THERMOSTAT	PART NO.	SIZE	DESCRIPTION
1	O-Ring	FP-6140-11-6331		
1	Thermostat	FP-600-421-6110		

QTY	WATER PUMP	PART NO.	SIZE	DESCRIPTION
1	Water Pump - Heavy Duty	FP-6206-61-1104		

CRANKSHAFT/OIL PUMP

QTY	CRANKSHAFT	PART NO.	SIZE	DESCRIPTION
1	Crankshaft	FP-6207-31-1100		

QTY	MAIN BEARINGS	PART NO.	SIZE	DESCRIPTION
7	Main Bearing, Flanged	FP-6204-21-8100	STD	
7	Main Bearing, Flanged	FP-6204-29-8100	.25MM	
7	Main Bearing, Flanged	FP-6204-28-8100	.50MM	
7	Main Bearing, Flanged	FP-6204-27-8100	.75MM	
7	Main Bearing, Flanged	FP-6204-26-8100	1.00MM	
1	Thrust Washer	FP-6204-21-8500	STD	
1	Thrust Washer	FP-6204-29-8500	.25MM	
1	Thrust Washer	FP-6204-28-8500	.50MM	
1	Thrust Washer	FP-6204-27-8500	.75MM	
1	Thrust Washer	FP-6204-26-8500	1.00MM	

QTY	OIL PUMP	PART NO.	SIZE	DESCRIPTION
1	Oil Pump	FP-6207-51-1201		

QTY	SEALS - FRONT CRANK	PART NO.	SIZE	DESCRIPTION
1	Oil Seal	FP-6204-21-3510		

QTY	SEALS - REAR CRANK	PART NO.	SIZE	DESCRIPTION
1	Oil Seal	FP-6141-21-1332		

CYL. HEAD & PARTS

QTY	GASKETS	PART NO.	SIZE	DESCRIPTION
1	Head Gasket	FP-6206-11-1830		
1	Head Gasket Set	FP-6207-K1-9901		
1	Valve Cover Gasket	FP-6206-11-8810		

QTY	PUSH RODS	PART NO.	SIZE	DESCRIPTION
12	Push Rod	FP-6204-41-3110		

QTY	VALVE	PART NO.	SIZE	DESCRIPTION
24	Valve Keeper	FP-6204-41-4520		Int. & Exh.
6	Valve, Exhaust	FP-6204-41-4210		
6	Valve, Intake	FP-6207-41-4110		

QTY	VALVE GUIDE	PART NO.	SIZE	DESCRIPTION
12	Valve Guide	FP-6204-19-1310		

QTY	VALVE SEAL	PART NO.	SIZE	DESCRIPTION
12	Valve Stem Seal	FP-6204-41-4540		

QTY	VALVE SEAT	PART NO.	SIZE	DESCRIPTION
6	Valve Seat	FP-6204-11-1440		Exh.
6	Valve Seat	FP-6207-11-1430		Int.

QTY	VALVE SPRING	PART NO.	SIZE	DESCRIPTION
12	Valve Spring	FP-6204-41-4431		
12	Valve Spring Seat	FP-6204-41-4510		Upper

(continued on next page)

4.9L 298 OHV L6, 3.7402" Bore 41 (cont.)

CYLINDER COMPONENTS

QTY	CONNECTING RODS & BRGS.	PART NO.	SIZE	DESCRIPTION
6	Connecting Rod Bearing Pair	FP-6207-31-3300	STD	
6	Connecting Rod Bearing Pair	FP-6207-39-3300	.25MM	
6	Connecting Rod Bearing Pair	FP-6207-38-3300	.50MM	
6	Connecting Rod Bearing Pair	FP-6207-37-3300	.75MM	
6	Connecting Rod Bearing Pair	FP-6207-36-3300	1.00MM	

QTY	LINERS	PART NO.	SIZE	DESCRIPTION
6	Cylinder Kit Complete	FP-LK2120		
6	Liner w/o Sealing Ring	FP-6207-21-2121		

QTY	PISTON RINGS	PART NO.	SIZE	DESCRIPTION
6	Ring Set, Single Cylinder	FP-6207-31-2200		

QTY	PISTONS	PART NO.	SIZE	DESCRIPTION
6	Piston Body w/o Pin	FP-6207-31-2120		
6	Piston Pin	FP-6207-31-2410		
6	Piston Pin Bushing	FP-6207-31-3130		
12	Piston Pin Retainer	FP-04065-03012		

ENGINE BLOCK & PARTS

QTY	CAM BEARINGS	PART NO.	SIZE	DESCRIPTION
3	Camshaft Bearing	FP-6206-21-1420		
1	Camshaft Bearing	FP-6206-21-1430		

QTY	GASKET SETS	PART NO.	SIZE	DESCRIPTION
1	Conversion Gasket Set	FP-6207-K2-0901		

QTY	GASKETS	PART NO.	SIZE	DESCRIPTION
1	Chemicals	FP-1816593		Oil pan; RTV Sealant

INT & EXH MANIFOLDS

QTY	INT. & EXH. MANIFOLDS	PART NO.	SIZE	DESCRIPTION
2	Exhaust Manifold Gasket	FP-6207-11-5810		
1	Intake Manifold Gasket	FP-6136-11-4850		

4.9L 298 OHV L6, 3.7402" Bore 42 Excavator

S6D95L; Build Series 1MM-C; Eng. Ser. No. 106426-Up; Model PC200-6Z; Model Ser. No. 80001-Up
 S6D95L; Build Series 1MM-C; Eng. Ser. No. 106426-Up; Model PC200LC-6Z; Model Ser. No. 80001-Up
 S6D95L; Build Series 1MM; Eng. Ser. No. 106426-Up; Model PC200-6; Model Ser. No. 80001-Up
 S6D95L; Build Series 1MM; Eng. Ser. No. 106426-Up; Model PC200-6A; Model Ser. No. 80001-Up
 S6D95L; Build Series 1MM; Eng. Ser. No. 106426-Up; Model PC200-6H-A; Model Ser. No. 80001-Up
 S6D95L; Build Series 1MM; Eng. Ser. No. 106426-Up; Model PC200LC-6; Model Ser. No. 80001-Up
 S6D95L; Build Series 1MM; Eng. Ser. No. 106426-Up; Model PC200LC-6A; Model Ser. No. 80001-Up
 S6D95L; Build Series 1MM; Eng. Ser. No. 106426-Up; Model PC200LC-6H-A; Model Ser. No. 80001-Up
 S6D95L; Build Series 1MM; Eng. Ser. No. 106426-Up; Model PC200LC-6H; Model Ser. No. 80001-Up
 S6D95L; Build Series 1MM; Eng. Ser. No. 106426-Up; Model PC210-6; Model Ser. No. 30001-Up

CAMSHAFT GROUP

QTY	CAMSHAFT/LIFTER	PART NO.	SIZE	DESCRIPTION
12	Lifter	FP-6204-41-2110		

COOLING SYSTEM

QTY	THERMOSTAT	PART NO.	SIZE	DESCRIPTION
1	O-Ring	FP-6140-11-6331		
1	Thermostat	FP-600-421-6360		

QTY	WATER PUMP	PART NO.	SIZE	DESCRIPTION
1	Water Pump - Heavy Duty	FP-6209-61-1100		

CRANKSHAFT/OIL PUMP

QTY	CRANKSHAFT	PART NO.	SIZE	DESCRIPTION
1	Crankshaft	FP-6207-31-1100		

QTY	MAIN BEARINGS	PART NO.	SIZE	DESCRIPTION
7	Main Bearing, Flanged	FP-6204-21-8100	STD	
7	Main Bearing, Flanged	FP-6204-29-8100	.25MM	
7	Main Bearing, Flanged	FP-6204-28-8100	.50MM	
7	Main Bearing, Flanged	FP-6204-27-8100	.75MM	
7	Main Bearing, Flanged	FP-6204-26-8100	1.00MM	
1	Thrust Washer	FP-6204-21-8500	STD	

(continued on next page)

42 4.9L 298 OHV L6, 3.7402" Bore				
(cont.)				
CRANKSHAFT/OIL PUMP (cont.)				
QTY	MAIN BEARINGS (cont.)	PART NO.	SIZE	DESCRIPTION
1	Thrust Washer	FP-6204-29-8500	.25MM	
1	Thrust Washer	FP-6204-28-8500	.50MM	
1	Thrust Washer	FP-6204-27-8500	.75MM	
1	Thrust Washer	FP-6204-26-8500	1.00MM	
QTY	OIL PUMP	PART NO.	SIZE	DESCRIPTION
1	Oil Pump	FP-6209-51-1700		
QTY	SEALS - FRONT CRANK	PART NO.	SIZE	DESCRIPTION
1	Oil Seal	FP-6204-21-3510		
QTY	SEALS - REAR CRANK	PART NO.	SIZE	DESCRIPTION
1	Oil Seal	FP-6141-21-1332		
CYL. HEAD & PARTS				
QTY	GASKETS	PART NO.	SIZE	DESCRIPTION
1	Head Gasket	FP-6206-11-1830		
1	Head Gasket Set	FP-6207-K1-9901		
1	Valve Cover Gasket	FP-6206-11-8810		
QTY	PUSH RODS	PART NO.	SIZE	DESCRIPTION
12	Push Rod	FP-6204-41-3110		
QTY	VALVE	PART NO.	SIZE	DESCRIPTION
24	Valve Keeper	FP-6204-41-4520		Int. & Exh.
6	Valve, Exhaust	FP-6209-41-4210	STD	
6	Valve, Intake	FP-6209-41-4110		
QTY	VALVE GUIDE	PART NO.	SIZE	DESCRIPTION
12	Valve Guide	FP-6204-19-1310		
QTY	VALVE SEAL	PART NO.	SIZE	DESCRIPTION
6	Valve Stem Seal	FP-6204-41-4540		
QTY	VALVE SEAT	PART NO.	SIZE	DESCRIPTION
6	Valve Seat	FP-6209-11-1430		Int.
6	Valve Seat	FP-6209-11-1440		Exh.
QTY	VALVE SPRING	PART NO.	SIZE	DESCRIPTION
12	Valve Spring	FP-6204-41-4431		
12	Valve Spring Seat	FP-6204-41-4510		Upper
CYLINDER COMPONENTS				
QTY	CONNECTING RODS & BRGS.	PART NO.	SIZE	DESCRIPTION
6	Connecting Rod Bearing Pair	FP-6207-31-3600	STD	
6	Connecting Rod Bearing Pair	FP-6207-39-3600	.25MM	
6	Connecting Rod Bearing Pair	FP-6207-38-3600	.50MM	
6	Connecting Rod Bearing Pair	FP-6207-37-3600	.75MM	
6	Connecting Rod Bearing Pair	FP-6207-36-3600	1.00MM	
QTY	LINERS	PART NO.	SIZE	DESCRIPTION
6	Cylinder Kit Complete	FP-LK32180		
6	Liner w/o Sealing Ring	FP-6207-21-2121		
QTY	PISTON RINGS	PART NO.	SIZE	DESCRIPTION
6	Ring Set, Single Cylinder	FP-6209-31-2400		
QTY	PISTONS	PART NO.	SIZE	DESCRIPTION
6	Piston Body w/o Pin	FP-6207-31-2180		
6	Piston Pin	FP-6207-31-2420		
6	Piston Pin Bushing	FP-6207-31-3530		
12	Piston Pin Retainer	FP-04065-03012		
ENGINE BLOCK & PARTS				
QTY	CAM BEARINGS	PART NO.	SIZE	DESCRIPTION
3	Camshaft Bearing	FP-6206-21-1420		
1	Camshaft Bearing	FP-6206-21-1430		
QTY	GASKET SETS	PART NO.	SIZE	DESCRIPTION
1	Conversion Gasket Set	FP-6207-K2-9901		
QTY	GASKETS	PART NO.	SIZE	DESCRIPTION
1	Chemicals	FP-1816593		Oil pan; RTV Sealant
INT & EXH MANIFOLDS				
QTY	INT. & EXH. MANIFOLDS	PART NO.	SIZE	DESCRIPTION
2	Exhaust Manifold Gasket	FP-6207-11-5810		

(continued on next page)

4.9L 298 OHV L6, 3.7402" Bore 42 (cont.)

INT & EXH MANIFOLDS (cont.)

QTY	INT. & EXH. MANIFOLDS (cont.)	PART NO.	SIZE	DESCRIPTION
1	Intake Manifold Gasket	FP-6136-11-4850		

4.9L 298 OHV L6, 3.7402" Bore 43 Excavator

S6D95L; Build Series 1GG; Eng. Ser. No. 58644-Up; Model PC150-5; Model Ser. No. 6001-Up
 S6D95L; Build Series 1GG; Eng. Ser. No. 58644-Up; Model PC150-5; Model Ser. No. A7001-Up
 S6D95L; Build Series 1GG; Eng. Ser. No. 58644-Up; Model PC150LC-5; Model Ser. No. 6001-Up
 S6D95L; Build Series 1GG; Eng. Ser. No. 58644-Up; Model PC150LC-5; Model Ser. No. A7001-Up
 S6D95L; Build Series 1JJ; Eng. Ser. No. 35360-Up; Model PC200-5Z; Model Ser. No. 45001-Up
 S6D95L; Build Series 1KK; Eng. Ser. No. 35360-Up; Model PC200-5T; Model Ser. No. 58019-Up
 S6D95L; Build Series 1U-C; Eng. Ser. No. 35360-Up; Model PC200-5C; Model Ser. No. 45001-Up
 S6D95L; Build Series 1U; Eng. Ser. No. 35360-Up; Model PC200-5; From Model Ser. No. A47282 to A70000
 S6D95L; Build Series 1U; Eng. Ser. No. 35360-Up; Model PC200-5; Model Ser. No. 45001-Up
 S6D95L; Build Series 1U; Eng. Ser. No. 35360-Up; Model PC200LC-5; From Model Ser. No. A47282 to A70000
 S6D95L; Build Series 1U; Eng. Ser. No. 35360-Up; Model PC200LC-5; Model Ser. No. 45001-Up

CAMSHAFT GROUP

QTY	CAMSHAFT/LIFTER	PART NO.	SIZE	DESCRIPTION
12	Lifter	FP-6204-41-2110		

COOLING SYSTEM

QTY	THERMOSTAT	PART NO.	SIZE	DESCRIPTION
1	O-Ring	FP-6140-11-6331		
1	Thermostat	FP-600-421-6110		

QTY	WATER PUMP	PART NO.	SIZE	DESCRIPTION
1	Water Pump - Heavy Duty	FP-6206-61-1104		

CRANKSHAFT/OIL PUMP

QTY	CRANKSHAFT	PART NO.	SIZE	DESCRIPTION
1	Crankshaft	FP-6207-31-1100		

QTY	MAIN BEARINGS	PART NO.	SIZE	DESCRIPTION
7	Main Bearing, Flanged	FP-6204-21-8100	STD	
7	Main Bearing, Flanged	FP-6204-29-8100	.25MM	
7	Main Bearing, Flanged	FP-6204-28-8100	.50MM	
7	Main Bearing, Flanged	FP-6204-27-8100	.75MM	
7	Main Bearing, Flanged	FP-6204-26-8100	1.00MM	
1	Thrust Washer	FP-6204-21-8500	STD	
1	Thrust Washer	FP-6204-29-8500	.25MM	
1	Thrust Washer	FP-6204-28-8500	.50MM	
1	Thrust Washer	FP-6204-27-8500	.75MM	
1	Thrust Washer	FP-6204-26-8500	1.00MM	

QTY	OIL PUMP	PART NO.	SIZE	DESCRIPTION
1	Oil Pump	FP-6209-51-1201		

QTY	SEALS - FRONT CRANK	PART NO.	SIZE	DESCRIPTION
1	Oil Seal	FP-6204-21-3510		

QTY	SEALS - REAR CRANK	PART NO.	SIZE	DESCRIPTION
1	Oil Seal	FP-6141-21-1332		

CYL. HEAD & PARTS

QTY	GASKETS	PART NO.	SIZE	DESCRIPTION
1	Head Gasket	FP-6206-11-1830		
1	Head Gasket Set	FP-6207-K1-9901		
1	Valve Cover Gasket	FP-6206-11-8810		

QTY	PUSH RODS	PART NO.	SIZE	DESCRIPTION
12	Push Rod	FP-6204-41-3110		

QTY	VALVE	PART NO.	SIZE	DESCRIPTION
24	Valve Keeper	FP-6204-41-4520		Int. & Exh.
6	Valve, Exhaust	FP-6209-41-4210	STD	
6	Valve, Intake	FP-6209-41-4110		

QTY	VALVE GUIDE	PART NO.	SIZE	DESCRIPTION
12	Valve Guide	FP-6204-19-1310		

QTY	VALVE SEAL	PART NO.	SIZE	DESCRIPTION
6	Valve Stem Seal	FP-6204-41-4540		

(continued on next page)

43 4.9L 298 OHV L6, 3.7402" Bore (cont.)

CYL. HEAD & PARTS (cont.)

QTY	VALVE SEAT	PART NO.	SIZE	DESCRIPTION
6	Valve Seat	FP-6209-11-1430		Int.
6	Valve Seat	FP-6209-11-1440		Exh.
QTY	VALVE SPRING	PART NO.	SIZE	DESCRIPTION
12	Valve Spring	FP-6204-41-4431		
12	Valve Spring Seat	FP-6204-41-4510		Upper

CYLINDER COMPONENTS

QTY	CONNECTING RODS & BRGS.	PART NO.	SIZE	DESCRIPTION
6	Connecting Rod Bearing Pair	FP-6207-31-3300	STD	
6	Connecting Rod Bearing Pair	FP-6207-39-3300	.25MM	
6	Connecting Rod Bearing Pair	FP-6207-38-3300	.50MM	
6	Connecting Rod Bearing Pair	FP-6207-37-3300	.75MM	
6	Connecting Rod Bearing Pair	FP-6207-36-3300	1.00MM	
QTY	LINERS	PART NO.	SIZE	DESCRIPTION
6	Cylinder Kit Complete	FP-LK72141		
6	Liner w/o Sealing Ring	FP-6207-21-2121		
QTY	PISTON RINGS	PART NO.	SIZE	DESCRIPTION
6	Ring Set, Single Cylinder	FP-6207-31-2501		
QTY	PISTONS	PART NO.	SIZE	DESCRIPTION
6	Piston Body w/o Pin	FP-6207-31-2141		
6	Piston Pin	FP-6207-31-2420		
6	Piston Pin Bushing	FP-6207-31-3130		
12	Piston Pin Retainer	FP-04065-03012		

ENGINE BLOCK & PARTS

QTY	CAM BEARINGS	PART NO.	SIZE	DESCRIPTION
3	Camshaft Bearing	FP-6206-21-1420		
1	Camshaft Bearing	FP-6206-21-1430		
QTY	GASKET SETS	PART NO.	SIZE	DESCRIPTION
1	Conversion Gasket Set	FP-6207-K2-9901		
QTY	GASKETS	PART NO.	SIZE	DESCRIPTION
1	Oil Pan Gasket	FP-6206-21-5812		

INT & EXH MANIFOLDS

QTY	INT. & EXH. MANIFOLDS	PART NO.	SIZE	DESCRIPTION
2	Exhaust Manifold Gasket	FP-6207-11-5810		
1	Intake Manifold Gasket	FP-6136-11-4850		

44 4.9L 298 OHV L6, 3.7402" Bore

Excavator

SA6D95L; Build Series 1; Eng. Ser. No. 35398-Up; Model PC200-5; Model Ser. No. A70001-Up
 SA6D95L; Build Series 1; Eng. Ser. No. 35398-Up; Model PC200LC-5; Model Ser. No. A70001-Up
 SA6D95L; Build Series 1; Eng. Ser. No. 35398-Up; Model PC220LC-5; From Model Ser. No. A35401 to A70000
 SA6D95L; Build Series 1; Eng. Ser. No. 35398-Up; Model PC220LC-5; Model Ser. No. 35001-Up
 SA6D95L; Build Series 1; Eng. Ser. No. 35398-Up; Model PC220LC-5C; From Model Ser. No. A35401 to A70000
 SA6D95L; Build Series 1; Eng. Ser. No. 35398-Up; Model PC220LC-5C; Model Ser. No. 35001-Up
 SA6D95L; Build Series 1C; Eng. Ser. No. 35398-Up; Model PC220-5; Model Ser. No. 35001-Up
 SA6D95L; Build Series 1C; Eng. Ser. No. 35398-Up; Model PC220-5C; Model Ser. No. 35001-Up

CAMSHAFT GROUP

QTY	CAMSHAFT/LIFTER	PART NO.	SIZE	DESCRIPTION
12	Lifter	FP-6204-41-2110		

COOLING SYSTEM

QTY	THERMOSTAT	PART NO.	SIZE	DESCRIPTION
1	O-Ring	FP-6140-11-6331		
1	Thermostat	FP-600-421-6110		
QTY	WATER PUMP	PART NO.	SIZE	DESCRIPTION
1	Water Pump - Heavy Duty	FP-6206-61-1104		

CRANKSHAFT/OIL PUMP

QTY	CRANKSHAFT	PART NO.	SIZE	DESCRIPTION
1	Crankshaft	FP-6207-31-1100		

(continued on next page)

4.9L 298 OHV L6, 3.7402" Bore **44**
(cont.)

CRANKSHAFT/OIL PUMP (cont.)

QTY	MAIN BEARINGS	PART NO.	SIZE	DESCRIPTION
7	Main Bearing, Flanged	FP-6204-21-8100	STD	
7	Main Bearing, Flanged	FP-6204-29-8100	.25MM	
7	Main Bearing, Flanged	FP-6204-28-8100	.50MM	
7	Main Bearing, Flanged	FP-6204-27-8100	.75MM	
7	Main Bearing, Flanged	FP-6204-26-8100	1.00MM	
1	Thrust Washer	FP-6204-21-8500	STD	
1	Thrust Washer	FP-6204-29-8500	.25MM	
1	Thrust Washer	FP-6204-28-8500	.50MM	
1	Thrust Washer	FP-6204-27-8500	.75MM	
1	Thrust Washer	FP-6204-26-8500	1.00MM	

QTY	OIL PUMP	PART NO.	SIZE	DESCRIPTION
1	Oil Pump	FP-6209-51-1201		

QTY	SEALS - FRONT CRANK	PART NO.	SIZE	DESCRIPTION
1	Oil Seal	FP-6204-21-3510		

QTY	SEALS - REAR CRANK	PART NO.	SIZE	DESCRIPTION
1	Oil Seal	FP-6141-21-1332		

CYL. HEAD & PARTS

QTY	GASKETS	PART NO.	SIZE	DESCRIPTION
1	Head Gasket	FP-6206-11-1830		
1	Head Gasket Set	FP-6207-K1-9901		
1	Valve Cover Gasket	FP-6206-11-8810		

QTY	PUSH RODS	PART NO.	SIZE	DESCRIPTION
12	Push Rod	FP-6204-41-3110		

QTY	VALVE	PART NO.	SIZE	DESCRIPTION
24	Valve Keeper	FP-6204-41-4520		Int. & Exh.
6	Valve, Exhaust	FP-6209-41-4210	STD	
6	Valve, Intake	FP-6209-41-4110		

QTY	VALVE GUIDE	PART NO.	SIZE	DESCRIPTION
12	Valve Guide	FP-6204-19-1310		

QTY	VALVE SEAL	PART NO.	SIZE	DESCRIPTION
6	Valve Stem Seal	FP-6204-41-4540		

QTY	VALVE SEAT	PART NO.	SIZE	DESCRIPTION
6	Valve Seat	FP-6209-11-1430		Int.
6	Valve Seat	FP-6209-11-1440		Exh.

QTY	VALVE SPRING	PART NO.	SIZE	DESCRIPTION
12	Valve Spring	FP-6204-41-4431		
12	Valve Spring Seat	FP-6204-41-4510		Upper

CYLINDER COMPONENTS

QTY	CONNECTING RODS & BRGS.	PART NO.	SIZE	DESCRIPTION
6	Connecting Rod Bearing Pair	FP-6207-31-3300	STD	
6	Connecting Rod Bearing Pair	FP-6207-39-3300	.25MM	
6	Connecting Rod Bearing Pair	FP-6207-38-3300	.50MM	
6	Connecting Rod Bearing Pair	FP-6207-37-3300	.75MM	
6	Connecting Rod Bearing Pair	FP-6207-36-3300	1.00MM	

QTY	LINERS	PART NO.	SIZE	DESCRIPTION
6	Cylinder Kit Complete	FP-LK92141		
6	Liner w/o Sealing Ring	FP-6207-21-2121		

QTY	PISTON RINGS	PART NO.	SIZE	DESCRIPTION
6	Ring Set, Single Cylinder	FP-6207-31-2501		

QTY	PISTONS	PART NO.	SIZE	DESCRIPTION
6	Piston Body w/o Pin	FP-6209-31-2141		
6	Piston Pin	FP-6207-31-2420		
6	Piston Pin Bushing	FP-6207-31-3130		
12	Piston Pin Retainer	FP-04065-03012		

ENGINE BLOCK & PARTS

QTY	CAM BEARINGS	PART NO.	SIZE	DESCRIPTION
3	Camshaft Bearing	FP-6206-21-1420		
1	Camshaft Bearing	FP-6206-21-1430		

QTY	GASKET SETS	PART NO.	SIZE	DESCRIPTION
1	Conversion Gasket Set	FP-6207-K2-9901		

(continued on next page)

44 4.9L 298 OHV L6, 3.7402" Bore				
(cont.)				
ENGINE BLOCK & PARTS (cont.)				
QTY	GASKETS	PART NO.	SIZE	DESCRIPTION
1	Chemicals	FP-1816593		Oil pan; RTV Sealant
INT & EXH MANIFOLDS				
QTY	INT. & EXH. MANIFOLDS	PART NO.	SIZE	DESCRIPTION
2	Exhaust Manifold Gasket	FP-6207-11-5810		
1	Intake Manifold Gasket	FP-6136-11-4850		
45 4.9L 298 OHV L6, 3.7402" Bore				
Excavator				
SA6D95L; Build Series 1; Model PC200-6; Model Ser. No. A80001-Up				
SA6D95L; Build Series 1; Model PC200LC-6; Model Ser. No. A80001-Up				
SA6D95L; Build Series 1; Model PC210LC-6; Model Ser. No. A80001-Up				
SA6D95L; Build Series 1; Model PC220LC-6; Model Ser. No. A80001-Up				
SA6D95L; Build Series 1; Model PC250LC-6; Model Ser. No. A80001-Up				
SA6D95L; Build Series 1J; Eng. Ser. No. 111870-Up; Model PC220-6; Model Ser. No. 50001-Up				
SA6D95L; Build Series 1J; Eng. Ser. No. 111870-Up; Model PC220-6Z; Model Ser. No. 50001-Up				
SA6D95L; Build Series 1J; Eng. Ser. No. 111870-Up; Model PC220LC-6; Model Ser. No. 50001-Up				
SA6D95L; Build Series 1J; Eng. Ser. No. 111870-Up; Model PC220LC-6Z; Model Ser. No. 50001-Up				
SA6D95L; Build Series 1J; Eng. Ser. No. 111870-Up; Model PC230-6; Model Ser. No. 10001-Up				
SA6D95L; Build Series 1J; Eng. Ser. No. 111870-Up; Model PC230LC-6; Model Ser. No. 10001-Up				
CAMSHAFT GROUP				
QTY	CAMSHAFT/LIFTER	PART NO.	SIZE	DESCRIPTION
12	Lifter	FP-6204-41-2110		
COOLING SYSTEM				
QTY	THERMOSTAT	PART NO.	SIZE	DESCRIPTION
1	O-Ring	FP-6140-11-6331		
1	Thermostat	FP-600-421-6360		
QTY	WATER PUMP	PART NO.	SIZE	DESCRIPTION
1	Water Pump - Heavy Duty	FP-6209-61-1100		
CRANKSHAFT/OIL PUMP				
QTY	CRANKSHAFT	PART NO.	SIZE	DESCRIPTION
1	Crankshaft	FP-6207-31-1100		
QTY	MAIN BEARINGS	PART NO.	SIZE	DESCRIPTION
7	Main Bearing, Flanged	FP-6204-21-8100	STD	
7	Main Bearing, Flanged	FP-6204-29-8100	.25MM	
7	Main Bearing, Flanged	FP-6204-28-8100	.50MM	
7	Main Bearing, Flanged	FP-6204-27-8100	.75MM	
7	Main Bearing, Flanged	FP-6204-26-8100	1.00MM	
1	Thrust Washer	FP-6204-21-8500	STD	
1	Thrust Washer	FP-6204-29-8500	.25MM	
1	Thrust Washer	FP-6204-28-8500	.50MM	
1	Thrust Washer	FP-6204-27-8500	.75MM	
1	Thrust Washer	FP-6204-26-8500	1.00MM	
QTY	OIL PUMP	PART NO.	SIZE	DESCRIPTION
1	Oil Pump	FP-6209-51-1700		
QTY	SEALS - FRONT CRANK	PART NO.	SIZE	DESCRIPTION
1	Oil Seal	FP-6204-21-3510		
QTY	SEALS - REAR CRANK	PART NO.	SIZE	DESCRIPTION
1	Oil Seal	FP-6141-21-1332		
CYL. HEAD & PARTS				
QTY	GASKETS	PART NO.	SIZE	DESCRIPTION
1	Head Gasket	FP-6206-11-1830		
1	Head Gasket Set	FP-6207-K1-9901		
1	Valve Cover Gasket	FP-6206-11-8810		
QTY	PUSH RODS	PART NO.	SIZE	DESCRIPTION
12	Push Rod	FP-6204-41-3110		
QTY	VALVE	PART NO.	SIZE	DESCRIPTION
24	Valve Keeper	FP-6204-41-4520		Int. & Exh.
6	Valve, Exhaust	FP-6209-41-4210	STD	
6	Valve, Intake	FP-6209-41-4110		

(continued on next page)

4.9L 298 OHV L6, 3.7402" Bore **45** (cont.)

CYL. HEAD & PARTS (cont.)

QTY	VALVE GUIDE	PART NO.	SIZE	DESCRIPTION
12	Valve Guide	FP-6204-19-1310		
QTY	VALVE SEAL	PART NO.	SIZE	DESCRIPTION
6	Valve Stem Seal	FP-6204-41-4540		
QTY	VALVE SEAT	PART NO.	SIZE	DESCRIPTION
6	Valve Seat	FP-6209-11-1430		Int.
6	Valve Seat	FP-6209-11-1440		Exh.
QTY	VALVE SPRING	PART NO.	SIZE	DESCRIPTION
12	Valve Spring	FP-6204-41-4431		
12	Valve Spring Seat	FP-6204-41-4510		Upper

CYLINDER COMPONENTS

QTY	CONNECTING RODS & BRGS.	PART NO.	SIZE	DESCRIPTION
6	Connecting Rod Bearing Pair	FP-6207-31-3600	STD	
6	Connecting Rod Bearing Pair	FP-6207-39-3600	.25MM	
6	Connecting Rod Bearing Pair	FP-6207-38-3600	.50MM	
6	Connecting Rod Bearing Pair	FP-6207-37-3600	.75MM	
6	Connecting Rod Bearing Pair	FP-6207-36-3600	1.00MM	
QTY	LINERS	PART NO.	SIZE	DESCRIPTION
6	Cylinder Kit Complete	FP-LK92180		
6	Liner w/o Sealing Ring	FP-6207-21-2121		
QTY	PISTON RINGS	PART NO.	SIZE	DESCRIPTION
6	Ring Set, Single Cylinder	FP-6209-31-2400		
QTY	PISTONS	PART NO.	SIZE	DESCRIPTION
6	Piston Body w/o Pin	FP-6209-31-2180		
6	Piston Pin	FP-6207-31-2420		
6	Piston Pin Bushing	FP-6207-31-3530		
12	Piston Pin Retainer	FP-04065-03012		

ENGINE BLOCK & PARTS

QTY	CAM BEARINGS	PART NO.	SIZE	DESCRIPTION
3	Camshaft Bearing	FP-6206-21-1420		
1	Camshaft Bearing	FP-6206-21-1430		
QTY	GASKET SETS	PART NO.	SIZE	DESCRIPTION
1	Conversion Gasket Set	FP-6207-K2-9901		
QTY	GASKETS	PART NO.	SIZE	DESCRIPTION
1	Chemicals	FP-1816593		Oil pan; RTV Sealant

INT & EXH MANIFOLDS

QTY	INT. & EXH. MANIFOLDS	PART NO.	SIZE	DESCRIPTION
2	Exhaust Manifold Gasket	FP-6207-11-5810		
1	Intake Manifold Gasket	FP-6136-11-4850		

4.9L 298 OHV L6, 3.7402" Bore **46** *Excavator*

SAA6D95LE; Build Series 1A-C; Eng. Ser. No. 150915-Up; Model PC200-6Z; Model Ser. No. 80001-Up
 SAA6D95LE; Build Series 1A-C; Eng. Ser. No. 150915-Up; Model PC200LC-6Z; Model Ser. No. 80001-Up
 SAA6D95LE; Build Series 1A; Eng. Ser. No. 150915-Up; Model PC210-6; Model Ser. No. 30001-Up
 SAA6D95LE; Build Series 1B; Eng. Ser. No. 150915-Up; Model PC220-6; Model Ser. No. 50001-Up
 SAA6D95LE; Build Series 1B; Eng. Ser. No. 150915-Up; Model PC220-6Z; Model Ser. No. 50001-Up
 SAA6D95LE; Build Series 1B; Eng. Ser. No. 150915-Up; Model PC220LC-6; Model Ser. No. 50001-Up
 SAA6D95LE; Build Series 1B; Eng. Ser. No. 150915-Up; Model PC220LC-6Z; Model Ser. No. 50001-Up
 SAA6D95LE; Build Series 1B; Eng. Ser. No. 150915-Up; Model PC230-6; Model Ser. No. 10001-Up
 SAA6D95LE; Build Series 1B; Eng. Ser. No. 150915-Up; Model PC230LC-6; Model Ser. No. 10001-Up

CAMSHAFT GROUP

QTY	CAMSHAFT/LIFTER	PART NO.	SIZE	DESCRIPTION
12	Lifter	FP-6204-41-2110		

COOLING SYSTEM

QTY	THERMOSTAT	PART NO.	SIZE	DESCRIPTION
1	O-Ring	FP-6140-11-6331		
1	Thermostat	FP-600-421-6360		

(continued on next page)

46 4.9L 298 OHV L6, 3.7402" Bore				
(cont.)				
COOLING SYSTEM (cont.)				
QTY	WATER PUMP	PART NO.	SIZE	DESCRIPTION
1	Water Pump - Heavy Duty	FP-6209-61-1100		
CRANKSHAFT/OIL PUMP				
QTY	CRANKSHAFT	PART NO.	SIZE	DESCRIPTION
1	Crankshaft	FP-6207-31-1100		
QTY	MAIN BEARINGS	PART NO.	SIZE	DESCRIPTION
7	Main Bearing, Flanged	FP-6204-21-8100	STD	
7	Main Bearing, Flanged	FP-6204-29-8100	.25MM	
7	Main Bearing, Flanged	FP-6204-28-8100	.50MM	
7	Main Bearing, Flanged	FP-6204-27-8100	.75MM	
7	Main Bearing, Flanged	FP-6204-26-8100	1.00MM	
1	Thrust Washer	FP-6204-21-8500	STD	
1	Thrust Washer	FP-6204-29-8500	.25MM	
1	Thrust Washer	FP-6204-28-8500	.50MM	
1	Thrust Washer	FP-6204-27-8500	.75MM	
1	Thrust Washer	FP-6204-26-8500	1.00MM	
QTY	OIL PUMP	PART NO.	SIZE	DESCRIPTION
1	Oil Pump	FP-6209-51-1700		
QTY	SEALS - FRONT CRANK	PART NO.	SIZE	DESCRIPTION
1	Oil Seal	FP-6204-21-3510		
QTY	SEALS - REAR CRANK	PART NO.	SIZE	DESCRIPTION
1	Oil Seal	FP-6141-21-1332		
CYL. HEAD & PARTS				
QTY	GASKETS	PART NO.	SIZE	DESCRIPTION
1	Head Gasket	FP-6206-11-1830		
1	Head Gasket Set	FP-6207-K1-9901		
1	Valve Cover Gasket	FP-6206-11-8810		
QTY	PUSH RODS	PART NO.	SIZE	DESCRIPTION
12	Push Rod	FP-6204-41-3110		
QTY	VALVE	PART NO.	SIZE	DESCRIPTION
24	Valve Keeper	FP-6204-41-4520		Int. & Exh.
6	Valve, Exhaust	FP-6209-41-4210	STD	
6	Valve, Intake	FP-6209-41-4110		
QTY	VALVE GUIDE	PART NO.	SIZE	DESCRIPTION
12	Valve Guide	FP-6204-19-1310		
QTY	VALVE SEAL	PART NO.	SIZE	DESCRIPTION
12	Valve Stem Seal	FP-6204-41-4540		
QTY	VALVE SEAT	PART NO.	SIZE	DESCRIPTION
6	Valve Seat	FP-6209-11-1430		Int.
6	Valve Seat	FP-6209-11-1440		Exh.
QTY	VALVE SPRING	PART NO.	SIZE	DESCRIPTION
12	Valve Spring	FP-6204-41-4431		
12	Valve Spring Seat	FP-6204-41-4510		Upper
CYLINDER COMPONENTS				
QTY	CONNECTING RODS & BRGS.	PART NO.	SIZE	DESCRIPTION
6	Connecting Rod Bearing Pair	FP-6207-31-3600	STD	
6	Connecting Rod Bearing Pair	FP-6207-39-3600	.25MM	
6	Connecting Rod Bearing Pair	FP-6207-38-3600	.50MM	
6	Connecting Rod Bearing Pair	FP-6207-37-3600	.75MM	
6	Connecting Rod Bearing Pair	FP-6207-36-3600	1.00MM	
QTY	LINERS	PART NO.	SIZE	DESCRIPTION
6	Cylinder Kit Complete	FP-LK92180		
6	Liner w/o Sealing Ring	FP-6207-21-2121		
QTY	PISTON RINGS	PART NO.	SIZE	DESCRIPTION
6	Ring Set, Single Cylinder	FP-6209-31-2400		
QTY	PISTONS	PART NO.	SIZE	DESCRIPTION
6	Piston Body w/o Pin	FP-6209-31-2180		
6	Piston Pin	FP-6207-31-2420		
6	Piston Pin Bushing	FP-6207-31-3530		
12	Piston Pin Retainer	FP-04065-03012		

(continued on next page)

4.9L 298 OHV L6, 3.7402" Bore 46 (cont.)

ENGINE BLOCK & PARTS

QTY	CAM BEARINGS	PART NO.	SIZE	DESCRIPTION
3	Camshaft Bearing	FP-6206-21-1420		
1	Camshaft Bearing	FP-6206-21-1430		
QTY	GASKET SETS	PART NO.	SIZE	DESCRIPTION
1	Conversion Gasket Set	FP-6207-K2-9901		
QTY	GASKETS	PART NO.	SIZE	DESCRIPTION
1	Chemicals	FP-1816593		Oil pan; RTV Sealant

INT & EXH MANIFOLDS

QTY	INT. & EXH. MANIFOLDS	PART NO.	SIZE	DESCRIPTION
2	Exhaust Manifold Gasket	FP-6207-11-5810		
1	Intake Manifold Gasket	FP-6136-11-4850		

4.9L 298 OHV L6, 3.7402" Bore 47 Grader

6D95L; Build Series 1HH; Eng. Ser. No. 96999-Up; Model GD305A-1A; Model Ser. No. 6734-Up

CAMSHAFT GROUP

QTY	CAMSHAFT/LIFTER	PART NO.	SIZE	DESCRIPTION
12	Lifter	FP-6204-41-2110		

COOLING SYSTEM

QTY	THERMOSTAT	PART NO.	SIZE	DESCRIPTION
1	O-Ring	FP-6140-11-6331		
1	Thermostat	FP-600-421-6110		
QTY	WATER PUMP	PART NO.	SIZE	DESCRIPTION
1	Water Pump - Heavy Duty	FP-6206-61-1505		

CRANKSHAFT/OIL PUMP

QTY	CRANKSHAFT	PART NO.	SIZE	DESCRIPTION
1	Crankshaft	FP-6207-31-1100		
QTY	MAIN BEARINGS	PART NO.	SIZE	DESCRIPTION
7	Main Bearing, Flanged	FP-6204-21-8100	STD	
7	Main Bearing, Flanged	FP-6204-29-8100	.25MM	
7	Main Bearing, Flanged	FP-6204-28-8100	.50MM	
7	Main Bearing, Flanged	FP-6204-27-8100	.75MM	
7	Main Bearing, Flanged	FP-6204-26-8100	1.00MM	
1	Thrust Washer	FP-6204-21-8500	STD	
1	Thrust Washer	FP-6204-29-8500	.25MM	
1	Thrust Washer	FP-6204-28-8500	.50MM	
1	Thrust Washer	FP-6204-27-8500	.75MM	
1	Thrust Washer	FP-6204-26-8500	1.00MM	
QTY	OIL PUMP	PART NO.	SIZE	DESCRIPTION
1	Oil Pump	FP-6206-51-1201		
QTY	SEALS - FRONT CRANK	PART NO.	SIZE	DESCRIPTION
1	Oil Seal	FP-6204-21-3510		
QTY	SEALS - REAR CRANK	PART NO.	SIZE	DESCRIPTION
1	Oil Seal	FP-6141-21-1332		

CYL. HEAD & PARTS

QTY	GASKETS	PART NO.	SIZE	DESCRIPTION
1	Head Gasket	FP-6206-11-1830		
1	Head Gasket Set	FP-6207-K1-9901		
1	Valve Cover Gasket	FP-6206-11-8810		
QTY	PUSH RODS	PART NO.	SIZE	DESCRIPTION
12	Push Rod	FP-6204-41-3110		
QTY	VALVE	PART NO.	SIZE	DESCRIPTION
24	Valve Keeper	FP-6204-41-4520		Int. & Exh.
6	Valve, Exhaust	FP-6204-41-4210		
6	Valve, Intake	FP-6207-41-4110		
QTY	VALVE GUIDE	PART NO.	SIZE	DESCRIPTION
12	Valve Guide	FP-6204-19-1310		
QTY	VALVE SEAL	PART NO.	SIZE	DESCRIPTION
12	Valve Stem Seal	FP-6204-41-4540		

(continued on next page)

47 4.9L 298 OHV L6, 3.7402" Bore (cont.)

CYL. HEAD & PARTS (cont.)

QTY	VALVE SEAT	PART NO.	SIZE	DESCRIPTION
6	Valve Seat	FP-6204-11-1440		Exh.
6	Valve Seat	FP-6207-11-1430		Int.
QTY	VALVE SPRING	PART NO.	SIZE	DESCRIPTION
12	Valve Spring	FP-6204-41-4410		
12	Valve Spring Seat	FP-6204-41-4510		Upper

CYLINDER COMPONENTS

QTY	CONNECTING RODS & BRGS.	PART NO.	SIZE	DESCRIPTION
6	Connecting Rod Bearing Pair	FP-6207-31-3300	STD	
6	Connecting Rod Bearing Pair	FP-6207-39-3300	.25MM	
6	Connecting Rod Bearing Pair	FP-6207-38-3300	.50MM	
6	Connecting Rod Bearing Pair	FP-6207-37-3300	.75MM	
6	Connecting Rod Bearing Pair	FP-6207-36-3300	1.00MM	
QTY	LINERS	PART NO.	SIZE	DESCRIPTION
6	Cylinder Kit Complete	FP-LK332140		
6	Liner w/o Sealing Ring	FP-6207-21-2121		
QTY	PISTON RINGS	PART NO.	SIZE	DESCRIPTION
6	Ring Set, Single Cylinder	FP-6204-31-2203		
QTY	PISTONS	PART NO.	SIZE	DESCRIPTION
6	Piston Body w/o Pin	FP-6206-33-2140		
6	Piston Pin	FP-6204-31-2410		
6	Piston Pin Bushing	FP-6204-31-3130		
12	Piston Pin Retainer	FP-04065-03012		

ENGINE BLOCK & PARTS

QTY	CAM BEARINGS	PART NO.	SIZE	DESCRIPTION
3	Camshaft Bearing	FP-6206-21-1420		
1	Camshaft Bearing	FP-6206-21-1430		
QTY	GASKET SETS	PART NO.	SIZE	DESCRIPTION
1	Conversion Gasket Set	FP-6202-K2-0901		
QTY	GASKETS	PART NO.	SIZE	DESCRIPTION
1	Chemicals	FP-1816593		Oil pan; RTV Sealant

INT & EXH MANIFOLDS

QTY	INT. & EXH. MANIFOLDS	PART NO.	SIZE	DESCRIPTION
2	Exhaust Manifold Gasket	FP-6207-11-5810		
1	Intake Manifold Gasket	FP-6136-11-4850		

48 4.9L 298 OHV L6, 3.7402" Bore Grader S6D95L; Build Series 1L; Eng. Ser. No. 22170-Up; Model GD511A-1; Model Ser. No. 10001-Up S6D95L; Build Series 1Q; Eng. Ser. No. 27756-Up; Model GD510R-1; Model Ser. No. 15001-Up

CAMSHAFT GROUP

QTY	CAMSHAFT/LIFTER	PART NO.	SIZE	DESCRIPTION
12	Lifter	FP-6204-41-2110		

COOLING SYSTEM

QTY	THERMOSTAT	PART NO.	SIZE	DESCRIPTION
1	O-Ring	FP-6140-11-6331		
1	Thermostat	FP-600-421-6110		
QTY	WATER PUMP	PART NO.	SIZE	DESCRIPTION
1	Water Pump - Heavy Duty	FP-6206-61-1104		

CRANKSHAFT/OIL PUMP

QTY	CRANKSHAFT	PART NO.	SIZE	DESCRIPTION
1	Crankshaft	FP-6207-31-1100		
QTY	MAIN BEARINGS	PART NO.	SIZE	DESCRIPTION
7	Main Bearing, Flanged	FP-6204-21-8100	STD	
7	Main Bearing, Flanged	FP-6204-29-8100	.25MM	
7	Main Bearing, Flanged	FP-6204-28-8100	.50MM	
7	Main Bearing, Flanged	FP-6204-27-8100	.75MM	
7	Main Bearing, Flanged	FP-6204-26-8100	1.00MM	
1	Thrust Washer	FP-6204-21-8500	STD	
1	Thrust Washer	FP-6204-29-8500	.25MM	

(continued on next page)

4.9L 298 OHV L6, 3.7402" Bore **48**
(cont.)

CRANKSHAFT/OIL PUMP (cont.)				
QTY	MAIN BEARINGS (cont.)	PART NO.	SIZE	DESCRIPTION
1	Thrust Washer	FP-6204-28-8500	.50MM	
1	Thrust Washer	FP-6204-27-8500	.75MM	
1	Thrust Washer	FP-6204-26-8500	1.00MM	
QTY	OIL PUMP	PART NO.	SIZE	DESCRIPTION
1	Oil Pump	FP-6207-51-1201		
QTY	SEALS - FRONT CRANK	PART NO.	SIZE	DESCRIPTION
1	Oil Seal	FP-6204-21-3510		
QTY	SEALS - REAR CRANK	PART NO.	SIZE	DESCRIPTION
1	Oil Seal	FP-6141-21-1332		
CYL. HEAD & PARTS				
QTY	GASKETS	PART NO.	SIZE	DESCRIPTION
1	Head Gasket	FP-6206-11-1830		
1	Head Gasket Set	FP-6207-K1-9901		
1	Valve Cover Gasket	FP-6206-11-8810		
QTY	PUSH RODS	PART NO.	SIZE	DESCRIPTION
12	Push Rod	FP-6204-41-3110		
QTY	VALVE	PART NO.	SIZE	DESCRIPTION
24	Valve Keeper	FP-6204-41-4520		Int. & Exh.
6	Valve, Exhaust	FP-6204-41-4210		
6	Valve, Intake	FP-6207-41-4110		
QTY	VALVE GUIDE	PART NO.	SIZE	DESCRIPTION
12	Valve Guide	FP-6204-19-1310		
QTY	VALVE SEAL	PART NO.	SIZE	DESCRIPTION
12	Valve Stem Seal	FP-6204-41-4540		
QTY	VALVE SEAT	PART NO.	SIZE	DESCRIPTION
6	Valve Seat	FP-6204-11-1440		Exh.
6	Valve Seat	FP-6207-11-1430		Int.
QTY	VALVE SPRING	PART NO.	SIZE	DESCRIPTION
12	Valve Spring	FP-6204-41-4431		
12	Valve Spring Seat	FP-6204-41-4510		Upper
CYLINDER COMPONENTS				
QTY	CONNECTING RODS & BRGS.	PART NO.	SIZE	DESCRIPTION
6	Connecting Rod Bearing Pair	FP-6207-31-3300	STD	
6	Connecting Rod Bearing Pair	FP-6207-39-3300	.25MM	
6	Connecting Rod Bearing Pair	FP-6207-38-3300	.50MM	
6	Connecting Rod Bearing Pair	FP-6207-37-3300	.75MM	
6	Connecting Rod Bearing Pair	FP-6207-36-3300	1.00MM	
QTY	LINERS	PART NO.	SIZE	DESCRIPTION
6	Cylinder Kit Complete	FP-LK2120		
6	Liner w/o Sealing Ring	FP-6207-21-2121		
QTY	PISTON RINGS	PART NO.	SIZE	DESCRIPTION
6	Ring Set, Single Cylinder	FP-6207-31-2200		
QTY	PISTONS	PART NO.	SIZE	DESCRIPTION
6	Piston Body w/o Pin	FP-6207-31-2120		
6	Piston Pin	FP-6207-31-2410		
6	Piston Pin Bushing	FP-6207-31-3130		
12	Piston Pin Retainer	FP-04065-03012		
ENGINE BLOCK & PARTS				
QTY	CAM BEARINGS	PART NO.	SIZE	DESCRIPTION
3	Camshaft Bearing	FP-6206-21-1420		
1	Camshaft Bearing	FP-6206-21-1430		
QTY	GASKET SETS	PART NO.	SIZE	DESCRIPTION
1	Conversion Gasket Set	FP-6207-K2-0901		
QTY	GASKETS	PART NO.	SIZE	DESCRIPTION
1	Chemicals	FP-1816593		Oil pan; RTV Sealant
INT & EXH MANIFOLDS				
QTY	INT. & EXH. MANIFOLDS	PART NO.	SIZE	DESCRIPTION
2	Exhaust Manifold Gasket	FP-6207-11-5810		

(continued on next page)

48 4.9L 298 OHV L6, 3.7402" Bore				
INT & EXH MANIFOLDS (cont.)				
QTY	INT. & EXH. MANIFOLDS	PART NO.	SIZE	DESCRIPTION
(cont.) 1	Intake Manifold Gasket	FP-6136-11-4850		
49 4.9L 298 OHV L6, 3.7402" Bore				
<i>Wheel Loader</i>				
6D95L; Build Series 1L; Eng. Ser. No. 10001-Up; Model WA100-1; Model Ser. No. 10001-Up				
6D95L; Build Series 1L; Eng. Ser. No. 10001-Up; Model WA100-3; Model Ser. No. 10001-Up				
6D95L; Build Series 1Z; Eng. Ser. No. 26324-Up; Model WA120-1; Model Ser. No. 10001-Up				
CAMSHAFT GROUP				
QTY	CAMSHAFT/LIFTER	PART NO.	SIZE	DESCRIPTION
12	Lifter	FP-6204-41-2110		
COOLING SYSTEM				
QTY	THERMOSTAT	PART NO.	SIZE	DESCRIPTION
1	O-Ring	FP-6140-11-6331		
1	Thermostat	FP-600-421-6110		
QTY	WATER PUMP	PART NO.	SIZE	DESCRIPTION
1	Water Pump - Heavy Duty	FP-6206-61-1104		
CRANKSHAFT/OIL PUMP				
QTY	CRANKSHAFT	PART NO.	SIZE	DESCRIPTION
1	Crankshaft	FP-6207-31-1100		
QTY	MAIN BEARINGS	PART NO.	SIZE	DESCRIPTION
7	Main Bearing, Flanged	FP-6204-21-8100	STD	
7	Main Bearing, Flanged	FP-6204-29-8100	.25MM	
7	Main Bearing, Flanged	FP-6204-28-8100	.50MM	
7	Main Bearing, Flanged	FP-6204-27-8100	.75MM	
7	Main Bearing, Flanged	FP-6204-26-8100	1.00MM	
1	Thrust Washer	FP-6204-21-8500	STD	
1	Thrust Washer	FP-6204-29-8500	.25MM	
1	Thrust Washer	FP-6204-28-8500	.50MM	
1	Thrust Washer	FP-6204-27-8500	.75MM	
1	Thrust Washer	FP-6204-26-8500	1.00MM	
QTY	OIL PUMP	PART NO.	SIZE	DESCRIPTION
1	Oil Pump	FP-6206-51-1201		
QTY	SEALS - FRONT CRANK	PART NO.	SIZE	DESCRIPTION
1	Oil Seal	FP-6204-21-3510		
QTY	SEALS - REAR CRANK	PART NO.	SIZE	DESCRIPTION
1	Oil Seal	FP-6141-21-1332		
CYL. HEAD & PARTS				
QTY	GASKETS	PART NO.	SIZE	DESCRIPTION
1	Head Gasket	FP-6206-11-1830		
1	Head Gasket Set	FP-6206-K1-9901		
1	Valve Cover Gasket	FP-6206-11-8810		
QTY	PUSH RODS	PART NO.	SIZE	DESCRIPTION
12	Push Rod	FP-6204-41-3110		
QTY	VALVE	PART NO.	SIZE	DESCRIPTION
24	Valve Keeper	FP-6204-41-4520		Int. & Exh.
6	Valve, Exhaust	FP-6204-41-4210		
6	Valve, Intake	FP-6207-41-4110		
QTY	VALVE GUIDE	PART NO.	SIZE	DESCRIPTION
12	Valve Guide	FP-6204-19-1310		
QTY	VALVE SEAL	PART NO.	SIZE	DESCRIPTION
12	Valve Stem Seal	FP-6204-41-4540		
QTY	VALVE SEAT	PART NO.	SIZE	DESCRIPTION
6	Valve Seat	FP-6204-11-1440		Exh.
6	Valve Seat	FP-6207-11-1430		Int.
QTY	VALVE SPRING	PART NO.	SIZE	DESCRIPTION
12	Valve Spring	FP-6204-41-4410		
12	Valve Spring Seat	FP-6204-41-4510		Upper

(continued on next page)

4.9L 298 OHV L6, 3.7402" Bore 49
(cont.)

CYLINDER COMPONENTS

QTY	CONNECTING RODS & BRGS.	PART NO.	SIZE	DESCRIPTION
6	Connecting Rod Bearing Pair	FP-6207-31-3300	STD	
6	Connecting Rod Bearing Pair	FP-6207-39-3300	.25MM	
6	Connecting Rod Bearing Pair	FP-6207-38-3300	.50MM	
6	Connecting Rod Bearing Pair	FP-6207-37-3300	.75MM	
6	Connecting Rod Bearing Pair	FP-6207-36-3300	1.00MM	
QTY	LINERS	PART NO.	SIZE	DESCRIPTION
6	Cylinder Kit Complete	FP-LK2121		
6	Liner w/o Sealing Ring	FP-6207-21-2121		
QTY	PISTON RINGS	PART NO.	SIZE	DESCRIPTION
6	Ring Set, Single Cylinder	FP-6204-31-2203		
QTY	PISTONS	PART NO.	SIZE	DESCRIPTION
6	Piston Body w/o Pin	FP-6204-31-2121		
6	Piston Pin	FP-6204-31-2410		
6	Piston Pin Bushing	FP-6204-31-3130		
12	Piston Pin Retainer	FP-04065-03012		

ENGINE BLOCK & PARTS

QTY	CAM BEARINGS	PART NO.	SIZE	DESCRIPTION
3	Camshaft Bearing	FP-6206-21-1420		
1	Camshaft Bearing	FP-6206-21-1430		
QTY	GASKET SETS	PART NO.	SIZE	DESCRIPTION
1	Conversion Gasket Set	FP-6206-K2-0901		
QTY	GASKETS	PART NO.	SIZE	DESCRIPTION
1	Chemicals	FP-1816593		Oil pan; RTV Sealant
1	Oil Pan Gasket	FP-6206-21-5812		

INT & EXH MANIFOLDS

QTY	INT. & EXH. MANIFOLDS	PART NO.	SIZE	DESCRIPTION
2	Exhaust Manifold Gasket	FP-6207-11-5810		
1	Intake Manifold Gasket	FP-6136-11-4850		

4.9L 298 OHV L6, 3.7402" Bore 50
Wheel Loader

6D95L; Build Series 1AF-1; Eng. Ser. No. 96999-Up; Model WA120-3; From Model Ser. No. 50001 to 52999

CAMSHAFT GROUP

QTY	CAMSHAFT/LIFTER	PART NO.	SIZE	DESCRIPTION
12	Lifter	FP-6204-41-2110		

COOLING SYSTEM

QTY	THERMOSTAT	PART NO.	SIZE	DESCRIPTION
1	O-Ring	FP-6140-11-6331		
1	Thermostat	FP-600-421-6110		
QTY	WATER PUMP	PART NO.	SIZE	DESCRIPTION
1	Water Pump - Heavy Duty	FP-6206-61-1505		

CRANKSHAFT/OIL PUMP

QTY	CRANKSHAFT	PART NO.	SIZE	DESCRIPTION
1	Crankshaft	FP-6207-31-1100		
QTY	MAIN BEARINGS	PART NO.	SIZE	DESCRIPTION
7	Main Bearing, Flanged	FP-6204-21-8100	STD	
7	Main Bearing, Flanged	FP-6204-29-8100	.25MM	
7	Main Bearing, Flanged	FP-6204-28-8100	.50MM	
7	Main Bearing, Flanged	FP-6204-27-8100	.75MM	
7	Main Bearing, Flanged	FP-6204-26-8100	1.00MM	
1	Thrust Washer	FP-6204-21-8500	STD	
1	Thrust Washer	FP-6204-29-8500	.25MM	
1	Thrust Washer	FP-6204-28-8500	.50MM	
1	Thrust Washer	FP-6204-27-8500	.75MM	
1	Thrust Washer	FP-6204-26-8500	1.00MM	
QTY	OIL PUMP	PART NO.	SIZE	DESCRIPTION
1	Oil Pump	FP-6206-51-1201		
QTY	SEALS - FRONT CRANK	PART NO.	SIZE	DESCRIPTION
1	Oil Seal	FP-6204-21-3510		

(continued on next page)

50 4.9L 298 OHV L6, 3.7402" Bore				
(cont.)				
CRANKSHAFT/OIL PUMP (cont.)				
QTY	SEALS - REAR CRANK	PART NO.	SIZE	DESCRIPTION
1	Oil Seal	FP-6141-21-1332		
CYL. HEAD & PARTS				
QTY	GASKETS	PART NO.	SIZE	DESCRIPTION
1	Head Gasket	FP-6206-11-1830		
1	Head Gasket Set	FP-6206-K1-9901		
1	Valve Cover Gasket	FP-6206-11-8810		
QTY	PUSH RODS	PART NO.	SIZE	DESCRIPTION
12	Push Rod	FP-6204-41-3110		
QTY	VALVE	PART NO.	SIZE	DESCRIPTION
24	Valve Keeper	FP-6204-41-4520		Int. & Exh.
6	Valve, Exhaust	FP-6204-41-4210		
6	Valve, Intake	FP-6207-41-4110		
QTY	VALVE GUIDE	PART NO.	SIZE	DESCRIPTION
12	Valve Guide	FP-6204-19-1310		
QTY	VALVE SEAL	PART NO.	SIZE	DESCRIPTION
12	Valve Stem Seal	FP-6204-41-4540		
QTY	VALVE SEAT	PART NO.	SIZE	DESCRIPTION
6	Valve Seat	FP-6204-11-1440		Exh.
6	Valve Seat	FP-6207-11-1430		Int.
QTY	VALVE SPRING	PART NO.	SIZE	DESCRIPTION
12	Valve Spring	FP-6204-41-4410		
12	Valve Spring Seat	FP-6204-41-4510		Upper
CYLINDER COMPONENTS				
QTY	CONNECTING RODS & BRGS.	PART NO.	SIZE	DESCRIPTION
6	Connecting Rod Bearing Pair	FP-6207-31-3300		STD
6	Connecting Rod Bearing Pair	FP-6207-39-3300		.25MM
6	Connecting Rod Bearing Pair	FP-6207-38-3300		.50MM
6	Connecting Rod Bearing Pair	FP-6207-37-3300		.75MM
6	Connecting Rod Bearing Pair	FP-6207-36-3300		1.00MM
QTY	LINERS	PART NO.	SIZE	DESCRIPTION
6	Cylinder Kit Complete	FP-LK332141		
6	Liner w/o Sealing Ring	FP-6207-21-2121		
QTY	PISTON RINGS	PART NO.	SIZE	DESCRIPTION
6	Ring Set, Single Cylinder	FP-6204-31-2203		
QTY	PISTONS	PART NO.	SIZE	DESCRIPTION
6	Piston Body w/o Pin	FP-6206-33-2141		
6	Piston Pin	FP-6204-31-2410		
6	Piston Pin Bushing	FP-6204-31-3130		
12	Piston Pin Retainer	FP-04065-03012		
ENGINE BLOCK & PARTS				
QTY	CAM BEARINGS	PART NO.	SIZE	DESCRIPTION
3	Camshaft Bearing	FP-6206-21-1420		
1	Camshaft Bearing	FP-6206-21-1430		
QTY	GASKET SETS	PART NO.	SIZE	DESCRIPTION
1	Conversion Gasket Set	FP-6206-K2-0901		
QTY	GASKETS	PART NO.	SIZE	DESCRIPTION
1	Chemicals	FP-1816593		Oil pan; RTV Sealant
INT & EXH MANIFOLDS				
QTY	INT. & EXH. MANIFOLDS	PART NO.	SIZE	DESCRIPTION
2	Exhaust Manifold Gasket	FP-6207-11-5810		
1	Intake Manifold Gasket	FP-6136-11-4850		

4.9L 298 OHV L6, 3.7402" Bore 51

Wheel Loader

S6D95L; Build Series 1B; Eng. Ser. No. 10001-Up; Model WA150-1; Model Ser. No. 10001-Up
 S6D95L; Build Series 1B; Eng. Ser. No. 10001-Up; Model WA150-1A; Model Ser. No. 10001-Up
 S6D95L; Build Series 1M; Eng. Ser. No. 26330-Up; Model WA180-1; Model Ser. No. 10001-Up
 S6D95L; Build Series 1M; Eng. Ser. No. 26330-Up; Model WA180-1; Model Ser. No. A10375-Up

CAMSHAFT GROUP

QTY	CAMSHAFT/LIFTER	PART NO.	SIZE	DESCRIPTION
12	Lifter	FP-6204-41-2110		

COOLING SYSTEM

QTY	THERMOSTAT	PART NO.	SIZE	DESCRIPTION
1	O-Ring	FP-6140-11-6331		
1	Thermostat	FP-600-421-6110		

QTY	WATER PUMP	PART NO.	SIZE	DESCRIPTION
1	Water Pump - Heavy Duty	FP-6206-61-1104		

CRANKSHAFT/OIL PUMP

QTY	CRANKSHAFT	PART NO.	SIZE	DESCRIPTION
1	Crankshaft	FP-6207-31-1100		

QTY	MAIN BEARINGS	PART NO.	SIZE	DESCRIPTION
7	Main Bearing, Flanged	FP-6204-21-8100	STD	
7	Main Bearing, Flanged	FP-6204-29-8100	.25MM	
7	Main Bearing, Flanged	FP-6204-28-8100	.50MM	
7	Main Bearing, Flanged	FP-6204-27-8100	.75MM	
7	Main Bearing, Flanged	FP-6204-26-8100	1.00MM	
1	Thrust Washer	FP-6204-21-8500	STD	
1	Thrust Washer	FP-6204-29-8500	.25MM	
1	Thrust Washer	FP-6204-28-8500	.50MM	
1	Thrust Washer	FP-6204-27-8500	.75MM	
1	Thrust Washer	FP-6204-26-8500	1.00MM	

QTY	OIL PUMP	PART NO.	SIZE	DESCRIPTION
1	Oil Pump	FP-6207-51-1201		

QTY	SEALS - FRONT CRANK	PART NO.	SIZE	DESCRIPTION
1	Oil Seal	FP-6204-21-3510		

QTY	SEALS - REAR CRANK	PART NO.	SIZE	DESCRIPTION
1	Oil Seal	FP-6141-21-1332		

CYL. HEAD & PARTS

QTY	GASKETS	PART NO.	SIZE	DESCRIPTION
1	Head Gasket	FP-6206-11-1830		
1	Head Gasket Set	FP-6207-K1-9901		
1	Valve Cover Gasket	FP-6206-11-8810		

QTY	PUSH RODS	PART NO.	SIZE	DESCRIPTION
12	Push Rod	FP-6204-41-3110		

QTY	VALVE	PART NO.	SIZE	DESCRIPTION
24	Valve Keeper	FP-6204-41-4520		Int. & Exh.
6	Valve, Exhaust	FP-6204-41-4210		
6	Valve, Intake	FP-6207-41-4110		

QTY	VALVE GUIDE	PART NO.	SIZE	DESCRIPTION
12	Valve Guide	FP-6204-19-1310		

QTY	VALVE SEAL	PART NO.	SIZE	DESCRIPTION
12	Valve Stem Seal	FP-6204-41-4540		

QTY	VALVE SEAT	PART NO.	SIZE	DESCRIPTION
6	Valve Seat	FP-6204-11-1440		Exh.
6	Valve Seat	FP-6207-11-1430		Int.

QTY	VALVE SPRING	PART NO.	SIZE	DESCRIPTION
12	Valve Spring	FP-6204-41-4431		
12	Valve Spring Seat	FP-6204-41-4510		Upper

CYLINDER COMPONENTS

QTY	CONNECTING RODS & BRGS.	PART NO.	SIZE	DESCRIPTION
6	Connecting Rod Bearing Pair	FP-6207-31-3300	STD	
6	Connecting Rod Bearing Pair	FP-6207-39-3300	.25MM	
6	Connecting Rod Bearing Pair	FP-6207-38-3300	.50MM	
6	Connecting Rod Bearing Pair	FP-6207-37-3300	.75MM	
6	Connecting Rod Bearing Pair	FP-6207-36-3300	1.00MM	

(continued on next page)

51 4.9L 298 OHV L6, 3.7402" Bore (cont.)				
CYLINDER COMPONENTS (cont.)				
QTY	LINERS	PART NO.	SIZE	DESCRIPTION
6	Cylinder Kit Complete	FP-LK2120		
6	Liner w/o Sealing Ring	FP-6207-21-2121		
QTY	PISTON RINGS	PART NO.	SIZE	DESCRIPTION
6	Ring Set, Single Cylinder	FP-6207-31-2200		
QTY	PISTONS	PART NO.	SIZE	DESCRIPTION
6	Piston Body w/o Pin	FP-6207-31-2120		
6	Piston Pin	FP-6207-31-2410		
6	Piston Pin Bushing	FP-6207-31-3130		
12	Piston Pin Retainer	FP-04065-03012		
ENGINE BLOCK & PARTS				
QTY	CAM BEARINGS	PART NO.	SIZE	DESCRIPTION
3	Camshaft Bearing	FP-6206-21-1420		
1	Camshaft Bearing	FP-6206-21-1430		
QTY	GASKET SETS	PART NO.	SIZE	DESCRIPTION
1	Conversion Gasket Set	FP-6207-K2-0901		
QTY	GASKETS	PART NO.	SIZE	DESCRIPTION
1	Chemicals	FP-1816593		Oil pan; RTV Sealant
INT & EXH MANIFOLDS				
QTY	INT. & EXH. MANIFOLDS	PART NO.	SIZE	DESCRIPTION
2	Exhaust Manifold Gasket	FP-6207-11-5810		
1	Intake Manifold Gasket	FP-6136-11-4850		

52 4.9L 298 OHV L6, 3.7402" Bore <i>Wheel Loader</i> S6D95L; Build Series 1NN-18; Eng. Ser. No. 106426-Up; Model WA180-3; From Model Ser. No. 50001 to 52999 S6D95L; Build Series 1NN-18; Eng. Ser. No. 106426-Up; Model WA180-3X; From Model Ser. No. 50001 to 52999 S6D95L; Build Series 1PP-25; Eng. Ser. No. 106426-Up; Model WA250-3; From Model Ser. No. 50001 to 52999 S6D95L; Build Series 1PP-25; Eng. Ser. No. 106426-Up; Model WA250-3X; From Model Ser. No. 50001 to 52999				
CAMSHAFT GROUP				
QTY	CAMSHAFT/LIFTER	PART NO.	SIZE	DESCRIPTION
12	Lifter	FP-6204-41-2110		
COOLING SYSTEM				
QTY	THERMOSTAT	PART NO.	SIZE	DESCRIPTION
1	O-Ring	FP-6138-11-6810		
1	Thermostat	FP-600-421-6360		
QTY	WATER PUMP	PART NO.	SIZE	DESCRIPTION
1	Water Pump - Heavy Duty	FP-6209-61-1100		
CRANKSHAFT/OIL PUMP				
QTY	CRANKSHAFT	PART NO.	SIZE	DESCRIPTION
1	Crankshaft	FP-6207-31-1100		
QTY	MAIN BEARINGS	PART NO.	SIZE	DESCRIPTION
7	Main Bearing, Flanged	FP-6204-21-8100		STD
7	Main Bearing, Flanged	FP-6204-29-8100		.25MM
7	Main Bearing, Flanged	FP-6204-28-8100		.50MM
7	Main Bearing, Flanged	FP-6204-27-8100		.75MM
7	Main Bearing, Flanged	FP-6204-26-8100		1.00MM
1	Thrust Washer	FP-6204-21-8500		STD
1	Thrust Washer	FP-6204-29-8500		.25MM
1	Thrust Washer	FP-6204-28-8500		.50MM
1	Thrust Washer	FP-6204-27-8500		.75MM
1	Thrust Washer	FP-6204-26-8500		1.00MM
QTY	OIL PUMP	PART NO.	SIZE	DESCRIPTION
1	Oil Pump	FP-6209-51-1201		
QTY	SEALS - FRONT CRANK	PART NO.	SIZE	DESCRIPTION
1	Oil Seal	FP-6204-21-3510		
QTY	SEALS - REAR CRANK	PART NO.	SIZE	DESCRIPTION
1	Oil Seal	FP-6141-21-1332		

(continued on next page)

4.9L 298 OHV L6, 3.7402" Bore **52** (cont.)

CYL. HEAD & PARTS

QTY	GASKETS	PART NO.	SIZE	DESCRIPTION
1	Head Gasket	FP-6206-11-1830		
1	Head Gasket Set	FP-6207-K1-9901		
1	Valve Cover Gasket	FP-6206-11-8810		
QTY	PUSH RODS	PART NO.	SIZE	DESCRIPTION
12	Push Rod	FP-6204-41-3110		
QTY	VALVE	PART NO.	SIZE	DESCRIPTION
24	Valve Keeper	FP-6204-41-4520		Int. & Exh.
6	Valve, Exhaust	FP-6209-41-4210	STD	
6	Valve, Intake	FP-6209-41-4110		
QTY	VALVE GUIDE	PART NO.	SIZE	DESCRIPTION
12	Valve Guide	FP-6204-19-1310		
QTY	VALVE SEAL	PART NO.	SIZE	DESCRIPTION
6	Valve Stem Seal	FP-6204-41-4540		
QTY	VALVE SEAT	PART NO.	SIZE	DESCRIPTION
6	Valve Seat	FP-6209-11-1430		Int.
6	Valve Seat	FP-6209-11-1440		Exh.
QTY	VALVE SPRING	PART NO.	SIZE	DESCRIPTION
12	Valve Spring	FP-6204-41-4431		
12	Valve Spring Seat	FP-6204-41-4510		Upper

CYLINDER COMPONENTS

QTY	CONNECTING RODS & BRGS.	PART NO.	SIZE	DESCRIPTION
6	Connecting Rod Bearing Pair	FP-6207-31-3600	STD	
6	Connecting Rod Bearing Pair	FP-6207-39-3600	.25MM	
6	Connecting Rod Bearing Pair	FP-6207-38-3600	.50MM	
6	Connecting Rod Bearing Pair	FP-6207-37-3600	.75MM	
6	Connecting Rod Bearing Pair	FP-6207-36-3600	1.00MM	
QTY	LINERS	PART NO.	SIZE	DESCRIPTION
6	Cylinder Kit Complete	FP-LK72121		
6	Liner w/o Sealing Ring	FP-6207-21-2121		
QTY	PISTON RINGS	PART NO.	SIZE	DESCRIPTION
6	Ring Set, Single Cylinder	FP-6207-31-2501		
QTY	PISTONS	PART NO.	SIZE	DESCRIPTION
6	Piston Body w/o Pin	FP-6207-31-2121		
6	Piston Pin	FP-6207-31-2420		
6	Piston Pin Bushing	FP-6207-31-3530		
12	Piston Pin Retainer	FP-04065-03012		

ENGINE BLOCK & PARTS

QTY	CAM BEARINGS	PART NO.	SIZE	DESCRIPTION
3	Camshaft Bearing	FP-6206-21-1420		
1	Camshaft Bearing	FP-6206-21-1430		
QTY	GASKET SETS	PART NO.	SIZE	DESCRIPTION
1	Conversion Gasket Set	FP-6207-K2-0901		
QTY	GASKETS	PART NO.	SIZE	DESCRIPTION
1	Chemicals	FP-1816593		Oil pan; RTV Sealant

INT & EXH MANIFOLDS

QTY	INT. & EXH. MANIFOLDS	PART NO.	SIZE	DESCRIPTION
2	Exhaust Manifold Gasket	FP-6207-11-5810		
1	Intake Manifold Gasket	FP-6136-11-4850		

5.9L 359 OHV L6, 4.0197" Bore **53** Dozer

S6D102E; Build Series 1BB; Eng. Ser. No. 26255384-Up; Model D41E-6K; Model Ser. No. 50001-Up

CAMSHAFT GROUP

QTY	CAMSHAFT/LIFTER	PART NO.	SIZE	DESCRIPTION
12	Lifter	FP-6732-41-2112		

COOLING SYSTEM

QTY	THERMOSTAT	PART NO.	SIZE	DESCRIPTION
1	O-Ring	FP-6732-61-6240		
1	Thermostat	FP-6732-61-1620		From Eng. Ser. No. 26255384 to 30707204

(continued on next page)

53 5.9L 359 OHV L6, 4.0197" Bore				
(cont.)				
COOLING SYSTEM (cont.)				
QTY	THERMOSTAT (cont.)	PART NO.	SIZE	DESCRIPTION
1	Thermostat	FP-6735-61-1690		Eng. Ser. No. 30707205-Up
QTY	WATER PUMP	PART NO.	SIZE	DESCRIPTION
1	Water Pump - Heavy Duty	FP-6736-61-1202		
CRANKSHAFT/OIL PUMP				
QTY	CRANKSHAFT	PART NO.	SIZE	DESCRIPTION
1	Crankshaft	FP-6735-01-1310		
QTY	MAIN BEARINGS	PART NO.	SIZE	DESCRIPTION
1	Main Bearing Set	FP-6735-21-8100	STD	
1	Main Bearing Set	FP-6736-29-8100	.25MM	
1	Main Bearing Set	FP-6736-28-8100	.50MM	
1	Main Bearing Set	FP-6736-27-8100	.75MM	
1	Main Bearing Set	FP-6736-26-8100	1.00MM	
1	Thrust Washer	FP-6731-21-8610	.50MM	
1	Thrust Washer	FP-6731-21-8620	1.00MM	
QTY	OIL PUMP	PART NO.	SIZE	DESCRIPTION
1	Oil Pump	FP-6731-51-1111		
QTY	SEALS - FRONT CRANK	PART NO.	SIZE	DESCRIPTION
1	Oil Seal	FP-6731-21-4220		
1	Oil Seal Kit	FP-6736-39-1221		
QTY	SEALS - REAR CRANK	PART NO.	SIZE	DESCRIPTION
1	Oil Seal	FP-6735-K2-3001		
1	Oil Seal	FP-6736-39-1130		Wet housing
1	Oil Seal Kit	FP-6736-39-1140		Dry housing
CYL. HEAD & PARTS				
QTY	GASKETS	PART NO.	SIZE	DESCRIPTION
1	Head Gasket	FP-6735-11-1821		
1	Head Gasket Set	FP-6731-11-9980		
6	Valve Cover Gasket	FP-6732-11-8181		
QTY	VALVE	PART NO.	SIZE	DESCRIPTION
24	Valve Keeper	FP-6732-41-4520		Int. & Exh.
6	Valve, Exhaust	FP-6736-41-4210		
6	Valve, Intake	FP-6736-41-4110		
QTY	VALVE GUIDE	PART NO.	SIZE	DESCRIPTION
12	Valve Guide	FP-6736-18-1310		Int. & Exh.; Thin wall
6	Valve Guide	FP-6736-19-1310		Int.; Thick wall, 60.50MM
6	Valve Guide	FP-6736-19-1410		Exh.; Thick wall, 51.75MM
QTY	VALVE SEAL	PART NO.	SIZE	DESCRIPTION
12	Valve Stem Seal	FP-6732-41-4540		Int. & Exh.
QTY	VALVE SEAT	PART NO.	SIZE	DESCRIPTION
6	Valve Seat	FP-6732-11-1170		Exh.
6	Valve Seat	FP-6732-11-1180		Int.
QTY	VALVE SPRING	PART NO.	SIZE	DESCRIPTION
12	Valve Spring	FP-6732-41-4430		
12	Valve Spring Seat	FP-6732-41-4510		Upper
CYLINDER COMPONENTS				
QTY	CONNECTING RODS & BRGS.	PART NO.	SIZE	DESCRIPTION
12	Rod Bearing Half Upper/Lower	FP-6732-31-3411	STD	
12	Rod Bearing Half Upper/Lower	FP-6736-39-3400	.25MM	
12	Rod Bearing Half Upper/Lower	FP-6736-38-3400	.50MM	
12	Rod Bearing Half Upper/Lower	FP-6736-37-3400	.75MM	
12	Rod Bearing Half Upper/Lower	FP-6736-36-3400	1.00MM	
QTY	LINERS	PART NO.	SIZE	DESCRIPTION
6	Liner w/o Sealing Ring	FP-6736-29-2110		
QTY	PISTON RINGS	PART NO.	SIZE	DESCRIPTION
6	Ring Set, Single Cylinder	FP-6738-31-2031	STD	
QTY	PISTONS	PART NO.	SIZE	DESCRIPTION
6	Piston Body w/o Pin	FP-6735-31-2111	STD	
6	Piston Pin	FP-6731-31-2410		
6	Piston Pin Bushing	FP-6732-31-3131		
12	Piston Pin Retainer	FP-6732-31-2420		

(continued on next page)

5.9L 359 OHV L6, 4.0197" Bore 53
(cont.)

CYLINDER COMPONENTS (cont.)

QTY	PISTONS (cont.)	PART NO.	SIZE	DESCRIPTION
6	Piston w/Retainer & Rings	FP-6735-31-2140	STD	

ENGINE BLOCK & PARTS

QTY	CAM BEARINGS	PART NO.	SIZE	DESCRIPTION
1	Camshaft Bearing	FP-6736-29-1410		1; O/S
6	Camshaft Bearing	FP-6736-29-1420		2-3-4-5; O/S
1	Camshaft Bearing	FP-6732-21-1410	STD	Narrow
1	Camshaft Bearing	FP-6732-21-1411	STD	Wide

QTY	GASKET SETS	PART NO.	SIZE	DESCRIPTION
1	Conversion Gasket Set	FP-6735-01-1210		

QTY	GASKETS	PART NO.	SIZE	DESCRIPTION
1	Oil Pan Gasket	FP-6735-21-5661		Oil pan

FUEL SYSTEM & PARTS

QTY	FUEL INJECTION	PART NO.	SIZE	DESCRIPTION
6	Fuel Injector - New	FP-6735-11-3120		
6	Fuel Injector Nozzle	FP-6134-11-3150		

INT & EXH MANIFOLDS

QTY	INT. & EXH. MANIFOLDS	PART NO.	SIZE	DESCRIPTION
6	Exhaust Manifold Gasket	FP-6736-11-5810		
1	Intake Manifold Gasket	FP-6735-11-4812		

5.9L 359 OHV L6, 4.0197" Bore 54
Dozer

S6D102E; Build Series 1BB; From Eng. Ser. No. 26200929 to 26255383; Model D41E-6K-B; Model Ser. No. 50001-Up
S6D102E; Build Series 1BB; From Eng. Ser. No. 26200929 to 26255383; Model D41E-6K; Model Ser. No. 50001-Up

CAMSHAFT GROUP

QTY	CAMSHAFT/LIFTER	PART NO.	SIZE	DESCRIPTION
12	Lifter	FP-6732-41-2112		

COOLING SYSTEM

QTY	THERMOSTAT	PART NO.	SIZE	DESCRIPTION
1	O-Ring	FP-6732-61-6240		
1	Thermostat	FP-6732-61-1620		

QTY	WATER PUMP	PART NO.	SIZE	DESCRIPTION
1	Water Pump - Heavy Duty	FP-6736-61-1202		

CRANKSHAFT/OIL PUMP

QTY	CRANKSHAFT	PART NO.	SIZE	DESCRIPTION
1	Crankshaft	FP-6735-01-1310		

QTY	MAIN BEARINGS	PART NO.	SIZE	DESCRIPTION
1	Main Bearing Set	FP-6735-21-8100	STD	
1	Main Bearing Set	FP-6736-29-8100	.25MM	
1	Main Bearing Set	FP-6736-28-8100	.50MM	
1	Main Bearing Set	FP-6736-27-8100	.75MM	
1	Main Bearing Set	FP-6736-26-8100	1.00MM	
1	Thrust Washer	FP-6731-21-8610	.50MM	
1	Thrust Washer	FP-6731-21-8620	1.00MM	

QTY	OIL PUMP	PART NO.	SIZE	DESCRIPTION
1	Oil Pump	FP-6731-51-1111		

QTY	SEALS - FRONT CRANK	PART NO.	SIZE	DESCRIPTION
1	Oil Seal	FP-6731-21-4220		
1	Oil Seal Kit	FP-6736-39-1221		

QTY	SEALS - REAR CRANK	PART NO.	SIZE	DESCRIPTION
1	Oil Seal	FP-6735-K2-3001		
1	Oil Seal	FP-6736-39-1130		Wet housing
1	Oil Seal Kit	FP-6736-39-1140		Dry housing

CYL. HEAD & PARTS

QTY	GASKETS	PART NO.	SIZE	DESCRIPTION
1	Head Gasket	FP-6735-11-1821		
1	Head Gasket Set	FP-6731-11-9980		
6	Valve Cover Gasket	FP-6732-11-8181		

(continued on next page)

54 5.9L 359 OHV L6, 4.0197" Bore				
(cont.)				
CYL. HEAD & PARTS (cont.)				
QTY	VALVE	PART NO.	SIZE	DESCRIPTION
24	Valve Keeper	FP-6732-41-4520		Int. & Exh.
6	Valve, Exhaust	FP-6736-41-4210		
6	Valve, Intake	FP-6736-41-4110		
QTY	VALVE GUIDE	PART NO.	SIZE	DESCRIPTION
12	Valve Guide	FP-6736-18-1310		Int. & Exh.; Thin wall
6	Valve Guide	FP-6736-19-1310		Int.; Thick wall, 60.50MM
6	Valve Guide	FP-6736-19-1410		Exh.; Thick wall, 51.75MM
QTY	VALVE SEAL	PART NO.	SIZE	DESCRIPTION
12	Valve Stem Seal	FP-6732-41-4540		Int. & Exh.
QTY	VALVE SEAT	PART NO.	SIZE	DESCRIPTION
6	Valve Seat	FP-6732-11-1170		Exh.
6	Valve Seat	FP-6732-11-1180		Int.
QTY	VALVE SPRING	PART NO.	SIZE	DESCRIPTION
12	Valve Spring	FP-6732-41-4430		
12	Valve Spring Seat	FP-6732-41-4510		Upper
CYLINDER COMPONENTS				
QTY	CONNECTING RODS & BRGS.	PART NO.	SIZE	DESCRIPTION
12	Rod Bearing Half Upper/Lower	FP-6732-31-3411	STD	
12	Rod Bearing Half Upper/Lower	FP-6736-39-3400	.25MM	
12	Rod Bearing Half Upper/Lower	FP-6736-38-3400	.50MM	
12	Rod Bearing Half Upper/Lower	FP-6736-37-3400	.75MM	
12	Rod Bearing Half Upper/Lower	FP-6736-36-3400	1.00MM	
QTY	LINERS	PART NO.	SIZE	DESCRIPTION
6	Liner w/o Sealing Ring	FP-6736-29-2110		
QTY	PISTON RINGS	PART NO.	SIZE	DESCRIPTION
6	Ring Set, Single Cylinder	FP-6738-31-2031	STD	
QTY	PISTONS	PART NO.	SIZE	DESCRIPTION
6	Piston Body w/o Pin	FP-6735-31-2111	STD	
6	Piston Pin	FP-6731-31-2410		
6	Piston Pin Bushing	FP-6732-31-3131		
12	Piston Pin Retainer	FP-6732-31-2420		
6	Piston w/Retainer & Rings	FP-6735-31-2140	STD	
ENGINE BLOCK & PARTS				
QTY	CAM BEARINGS	PART NO.	SIZE	DESCRIPTION
1	Camshaft Bearing	FP-6736-29-1410		1; O/S
6	Camshaft Bearing	FP-6736-29-1420		2-3-4-5; O/S
1	Camshaft Bearing	FP-6732-21-1410	STD	Narrow
1	Camshaft Bearing	FP-6732-21-1411	STD	Wide
QTY	GASKET SETS	PART NO.	SIZE	DESCRIPTION
1	Conversion Gasket Set	FP-6735-01-1210		
QTY	GASKETS	PART NO.	SIZE	DESCRIPTION
1	Oil Pan Gasket	FP-6735-21-5661		
1	Oil Pan Gasket	FP-6735-21-5661		Oil pan
FUEL SYSTEM & PARTS				
QTY	FUEL INJECTION	PART NO.	SIZE	DESCRIPTION
6	Fuel Injector - New	FP-6732-11-3120		
6	Fuel Injector Nozzle	FP-6732-11-3140		
INT & EXH MANIFOLDS				
QTY	INT. & EXH. MANIFOLDS	PART NO.	SIZE	DESCRIPTION
6	Exhaust Manifold Gasket	FP-6736-11-5810		
1	Intake Manifold Gasket	FP-6735-11-4812		
55 5.9L 359 OHV L6, 4.0197" Bore				
Dozer				
S6D102E; Build Series 1BB; Eng. Ser. No. 26255384-Up; Model D41E-6K-B; Model Ser. No. 50001-Up				
CAMSHAFT GROUP				
QTY	CAMSHAFT/LIFTER	PART NO.	SIZE	DESCRIPTION
12	Lifter	FP-6732-41-2112		

(continued on next page)

5.9L 359 OHV L6, 4.0197" Bore 55
(cont.)

COOLING SYSTEM				
QTY		PART NO.	SIZE	DESCRIPTION
1	O-Ring	FP-6732-61-6240		
1	Thermostat	FP-6732-61-1620		From Eng. Ser. No. 26255384 to 30707204
1	Thermostat	FP-6735-61-1690		Eng. Ser. No. 30707205-Up
QTY	WATER PUMP	PART NO.	SIZE	DESCRIPTION
1	Water Pump - Heavy Duty	FP-6736-61-1202		
CRANKSHAFT/OIL PUMP				
QTY	CRANKSHAFT	PART NO.	SIZE	DESCRIPTION
1	Crankshaft	FP-6735-01-1310		
QTY	MAIN BEARINGS	PART NO.	SIZE	DESCRIPTION
1	Main Bearing Set	FP-6735-21-8100	STD	
1	Main Bearing Set	FP-6736-29-8100	.25MM	
1	Main Bearing Set	FP-6736-28-8100	.50MM	
1	Main Bearing Set	FP-6736-27-8100	.75MM	
1	Main Bearing Set	FP-6736-26-8100	1.00MM	
1	Thrust Washer	FP-6731-21-8610	.50MM	
1	Thrust Washer	FP-6731-21-8620	1.00MM	
QTY	OIL PUMP	PART NO.	SIZE	DESCRIPTION
1	Oil Pump	FP-6731-51-1111		
QTY	SEALS - FRONT CRANK	PART NO.	SIZE	DESCRIPTION
1	Oil Seal	FP-6731-21-4220		
1	Oil Seal Kit	FP-6736-39-1221		
QTY	SEALS - REAR CRANK	PART NO.	SIZE	DESCRIPTION
1	Oil Seal	FP-6735-K2-3001		
1	Oil Seal	FP-6736-39-1130		Wet housing
1	Oil Seal Kit	FP-6736-39-1140		Dry housing
CYL. HEAD & PARTS				
QTY	GASKETS	PART NO.	SIZE	DESCRIPTION
1	Head Gasket	FP-6735-11-1821		
1	Head Gasket Set	FP-6731-11-9980		
6	Valve Cover Gasket	FP-6732-11-8181		
QTY	VALVE	PART NO.	SIZE	DESCRIPTION
24	Valve Keeper	FP-6732-41-4520		Int. & Exh.
6	Valve, Exhaust	FP-6736-41-4210		
6	Valve, Intake	FP-6736-41-4110		
QTY	VALVE GUIDE	PART NO.	SIZE	DESCRIPTION
12	Valve Guide	FP-6736-18-1310		Int. & Exh.; Thin wall
6	Valve Guide	FP-6736-19-1310		Int.; Thick wall, 60.50MM
6	Valve Guide	FP-6736-19-1410		Exh.; Thick wall, 51.75MM
QTY	VALVE SEAL	PART NO.	SIZE	DESCRIPTION
12	Valve Stem Seal	FP-6732-41-4540		Int. & Exh.
QTY	VALVE SEAT	PART NO.	SIZE	DESCRIPTION
6	Valve Seat	FP-6732-11-1170		Exh.
6	Valve Seat	FP-6732-11-1180		Int.
QTY	VALVE SPRING	PART NO.	SIZE	DESCRIPTION
12	Valve Spring	FP-6732-41-4430		
12	Valve Spring Seat	FP-6732-41-4510		Upper
CYLINDER COMPONENTS				
QTY	CONNECTING RODS & BRGS.	PART NO.	SIZE	DESCRIPTION
12	Rod Bearing Half Upper/Lower	FP-6732-31-3411	STD	
12	Rod Bearing Half Upper/Lower	FP-6736-39-3400	.25MM	
12	Rod Bearing Half Upper/Lower	FP-6736-38-3400	.50MM	
12	Rod Bearing Half Upper/Lower	FP-6736-37-3400	.75MM	
12	Rod Bearing Half Upper/Lower	FP-6736-36-3400	1.00MM	
QTY	LINERS	PART NO.	SIZE	DESCRIPTION
6	Liner w/o Sealing Ring	FP-6736-29-2110		
QTY	PISTON RINGS	PART NO.	SIZE	DESCRIPTION
6	Ring Set, Single Cylinder	FP-6738-31-2031	STD	
QTY	PISTONS	PART NO.	SIZE	DESCRIPTION
6	Piston Body w/o Pin	FP-6735-31-2111	STD	
6	Piston Pin	FP-6731-31-2410		

(continued on next page)

55 5.9L 359 OHV L6, 4.0197" Bore				
(cont.)				
CYLINDER COMPONENTS (cont.)				
QTY	PISTONS (cont.)	PART NO.	SIZE	DESCRIPTION
6	Piston Pin Bushing	FP-6732-31-3131		
12	Piston Pin Retainer	FP-6732-31-2420		
6	Piston w/Retainer & Rings	FP-6735-31-2140	STD	
ENGINE BLOCK & PARTS				
QTY	CAM BEARINGS	PART NO.	SIZE	DESCRIPTION
1	Camshaft Bearing	FP-6736-29-1410		1; O/S
6	Camshaft Bearing	FP-6736-29-1420		2-3-4-5; O/S
1	Camshaft Bearing	FP-6732-21-1410	STD	Narrow
1	Camshaft Bearing	FP-6732-21-1411	STD	Wide
QTY	GASKET SETS	PART NO.	SIZE	DESCRIPTION
1	Conversion Gasket Set	FP-6735-01-1210		
QTY	GASKETS	PART NO.	SIZE	DESCRIPTION
1	Oil Pan Gasket	FP-6735-21-5661		Oil pan
INT & EXH MANIFOLDS				
QTY	INT. & EXH. MANIFOLDS	PART NO.	SIZE	DESCRIPTION
6	Exhaust Manifold Gasket	FP-6736-11-5810		
1	Intake Manifold Gasket	FP-6735-11-4812		
56 5.9L 359 OHV L6, 4.0197" Bore				
Dozer				
S6D102E; Build Series 1-Z; Eng. Ser. No. 30707205-Up; Model D41A-6; Model Ser. No. B20001-Up				
S6D102E; Build Series 1-Z; Eng. Ser. No. 30707205-Up; Model D41E-6; Model Ser. No. B20001-Up				
S6D102E; Build Series 1-Z; Eng. Ser. No. 30707205-Up; Model D41P-6; Model Ser. No. B20001-Up				
CAMSHAFT GROUP				
QTY	CAMSHAFT/LIFTER	PART NO.	SIZE	DESCRIPTION
12	Lifter	FP-6732-41-2112		
COOLING SYSTEM				
QTY	THERMOSTAT	PART NO.	SIZE	DESCRIPTION
1	O-Ring	FP-6732-61-6240		
1	Thermostat	FP-6735-61-1690		
QTY	WATER PUMP	PART NO.	SIZE	DESCRIPTION
1	Water Pump - Heavy Duty	FP-6736-61-1202		
CRANKSHAFT/OIL PUMP				
QTY	CRANKSHAFT	PART NO.	SIZE	DESCRIPTION
1	Crankshaft	FP-6735-01-1310		
QTY	MAIN BEARINGS	PART NO.	SIZE	DESCRIPTION
1	Main Bearing Set	FP-6735-21-8100	STD	
1	Main Bearing Set	FP-6736-29-8100	.25MM	
1	Main Bearing Set	FP-6736-28-8100	.50MM	
1	Main Bearing Set	FP-6736-27-8100	.75MM	
1	Main Bearing Set	FP-6736-26-8100	1.00MM	
1	Thrust Washer	FP-6731-21-8610	.50MM	
1	Thrust Washer	FP-6731-21-8620	1.00MM	
QTY	OIL PUMP	PART NO.	SIZE	DESCRIPTION
1	Oil Pump	FP-6731-51-1111		
QTY	SEALS - FRONT CRANK	PART NO.	SIZE	DESCRIPTION
1	Oil Seal	FP-6731-21-4220		
1	Oil Seal Kit	FP-6736-39-1221		
QTY	SEALS - REAR CRANK	PART NO.	SIZE	DESCRIPTION
1	Oil Seal	FP-6735-K2-3001		
1	Oil Seal	FP-6736-39-1130		Wet housing
1	Oil Seal Kit	FP-6736-39-1140		Dry housing
CYL. HEAD & PARTS				
QTY	GASKETS	PART NO.	SIZE	DESCRIPTION
1	Head Gasket	FP-6735-11-1821		
1	Head Gasket Set	FP-6731-11-9980		
6	Valve Cover Gasket	FP-6732-11-8181		
QTY	VALVE	PART NO.	SIZE	DESCRIPTION
24	Valve Keeper	FP-6732-41-4520		Int. & Exh.

(continued on next page)

5.9L 359 OHV L6, 4.0197" Bore 56
(cont.)

CYL. HEAD & PARTS (cont.)

QTY	VALVE (cont.)	PART NO.	SIZE	DESCRIPTION
6	Valve, Exhaust	FP-6736-41-4210		
6	Valve, Intake	FP-6736-41-4110		
QTY	VALVE GUIDE	PART NO.	SIZE	DESCRIPTION
12	Valve Guide	FP-6736-18-1310		Int. & Exh.; Thin wall
6	Valve Guide	FP-6736-19-1310		Int.; Thick wall, 60.50MM
6	Valve Guide	FP-6736-19-1410		Exh.; Thick wall, 51.75MM
QTY	VALVE SEAL	PART NO.	SIZE	DESCRIPTION
12	Valve Stem Seal	FP-6732-41-4540		Int. & Exh.
QTY	VALVE SEAT	PART NO.	SIZE	DESCRIPTION
6	Valve Seat	FP-6732-11-1170		Exh.
6	Valve Seat	FP-6732-11-1180		Int.
QTY	VALVE SPRING	PART NO.	SIZE	DESCRIPTION
12	Valve Spring	FP-6732-41-4430		
12	Valve Spring Seat	FP-6732-41-4510		Upper

CYLINDER COMPONENTS

QTY	CONNECTING RODS & BRGS.	PART NO.	SIZE	DESCRIPTION
12	Rod Bearing Half Upper/Lower	FP-6732-31-3411	STD	
12	Rod Bearing Half Upper/Lower	FP-6736-39-3400	.25MM	
12	Rod Bearing Half Upper/Lower	FP-6736-38-3400	.50MM	
12	Rod Bearing Half Upper/Lower	FP-6736-37-3400	.75MM	
12	Rod Bearing Half Upper/Lower	FP-6736-36-3400	1.00MM	
QTY	LINERS	PART NO.	SIZE	DESCRIPTION
6	Liner w/o Sealing Ring	FP-6736-29-2110		
QTY	PISTON RINGS	PART NO.	SIZE	DESCRIPTION
6	Ring Set, Single Cylinder	FP-6738-31-2031	STD	
QTY	PISTONS	PART NO.	SIZE	DESCRIPTION
6	Piston Body w/o Pin	FP-6735-31-2111	STD	
6	Piston Pin	FP-6731-31-2410		
6	Piston Pin Bushing	FP-6732-31-3131		
12	Piston Pin Retainer	FP-6732-31-2420		
6	Piston w/Retainer & Rings	FP-6735-31-2140	STD	

ENGINE BLOCK & PARTS

QTY	CAM BEARINGS	PART NO.	SIZE	DESCRIPTION
1	Camshaft Bearing	FP-6736-29-1410		1; O/S
6	Camshaft Bearing	FP-6736-29-1420		2-3-4-5; O/S
1	Camshaft Bearing	FP-6732-21-1410	STD	Narrow
1	Camshaft Bearing	FP-6732-21-1411	STD	Wide
QTY	GASKET SETS	PART NO.	SIZE	DESCRIPTION
1	Conversion Gasket Set	FP-6735-01-1210		
QTY	GASKETS	PART NO.	SIZE	DESCRIPTION
1	Oil Pan Gasket	FP-6735-21-5661		Oil pan

FUEL SYSTEM & PARTS

QTY	FUEL INJECTION	PART NO.	SIZE	DESCRIPTION
6	Fuel Injector - New	FP-6735-11-3130		

INT & EXH MANIFOLDS

QTY	INT. & EXH. MANIFOLDS	PART NO.	SIZE	DESCRIPTION
6	Exhaust Manifold Gasket	FP-6736-11-5810		
1	Intake Manifold Gasket	FP-6735-11-4812		

5.9L 359 OHV L6, 4.0197" Bore 57
Excavator

S6D102; Build Series 1; Model PC200-6; Model Ser. No. A82001-Up
S6D102; Build Series 1; Model PC200LC-6; Model Ser. No. A82001-Up
S6D102; Build Series 1; Model PC210LC-6; Model Ser. No. A82001-Up

CAMSHAFT GROUP

QTY	CAMSHAFT/LIFTER	PART NO.	SIZE	DESCRIPTION
12	Lifter	FP-6732-41-2112		

(continued on next page)

57 5.9L 359 OHV L6, 4.0197" Bore				
(cont.)				
COOLING SYSTEM				
QTY	THERMOSTAT	PART NO.	SIZE	DESCRIPTION
1	O-Ring	FP-6732-61-6240		
1	Thermostat	FP-6735-61-1690		
QTY	WATER PUMP	PART NO.	SIZE	DESCRIPTION
1	Water Pump - Heavy Duty	FP-6736-61-1202		
CRANKSHAFT/OIL PUMP				
QTY	CRANKSHAFT	PART NO.	SIZE	DESCRIPTION
1	Crankshaft	FP-6735-01-1310		
QTY	MAIN BEARINGS	PART NO.	SIZE	DESCRIPTION
1	Main Bearing Set	FP-6735-21-8100		STD
1	Main Bearing Set	FP-6736-29-8100		.25MM
1	Main Bearing Set	FP-6736-28-8100		.50MM
1	Main Bearing Set	FP-6736-27-8100		.75MM
1	Main Bearing Set	FP-6736-26-8100		1.00MM
1	Thrust Washer	FP-6731-21-8610		.50MM
1	Thrust Washer	FP-6731-21-8620		1.00MM
QTY	OIL PUMP	PART NO.	SIZE	DESCRIPTION
1	Oil Pump	FP-6731-51-1111		
QTY	SEALS - FRONT CRANK	PART NO.	SIZE	DESCRIPTION
1	Oil Seal	FP-6731-21-4220		
1	Oil Seal Kit	FP-6736-39-1221		
QTY	SEALS - REAR CRANK	PART NO.	SIZE	DESCRIPTION
1	Oil Seal	FP-6735-K2-3001		
1	Oil Seal	FP-6736-39-1130		Wet housing
1	Oil Seal Kit	FP-6736-39-1140		Dry housing
CYL. HEAD & PARTS				
QTY	GASKETS	PART NO.	SIZE	DESCRIPTION
1	Head Gasket	FP-6735-11-1821		
1	Head Gasket Set	FP-6731-11-9980		
6	Valve Cover Gasket	FP-6732-11-8181		
QTY	VALVE	PART NO.	SIZE	DESCRIPTION
24	Valve Keeper	FP-6732-41-4520		Int. & Exh.
6	Valve, Exhaust	FP-6736-41-4210		
6	Valve, Intake	FP-6736-41-4110		
QTY	VALVE GUIDE	PART NO.	SIZE	DESCRIPTION
12	Valve Guide	FP-6736-18-1310		Int. & Exh.; Thin wall
6	Valve Guide	FP-6736-19-1310		Int.; Thick wall, 60.50MM
6	Valve Guide	FP-6736-19-1410		Exh.; Thick wall, 51.75MM
QTY	VALVE SEAL	PART NO.	SIZE	DESCRIPTION
12	Valve Stem Seal	FP-6732-41-4540		Int. & Exh.
QTY	VALVE SEAT	PART NO.	SIZE	DESCRIPTION
6	Valve Seat	FP-6732-11-1170		Exh.
6	Valve Seat	FP-6732-11-1180		Int.
QTY	VALVE SPRING	PART NO.	SIZE	DESCRIPTION
12	Valve Spring	FP-6732-41-4430		
12	Valve Spring Seat	FP-6732-41-4510		Upper
CYLINDER COMPONENTS				
QTY	CONNECTING RODS & BRGS.	PART NO.	SIZE	DESCRIPTION
12	Rod Bearing Half Upper/Lower	FP-6732-31-3411		STD
12	Rod Bearing Half Upper/Lower	FP-6736-39-3400		.25MM
12	Rod Bearing Half Upper/Lower	FP-6736-38-3400		.50MM
12	Rod Bearing Half Upper/Lower	FP-6736-37-3400		.75MM
12	Rod Bearing Half Upper/Lower	FP-6736-36-3400		1.00MM
QTY	LINERS	PART NO.	SIZE	DESCRIPTION
6	Liner w/o Sealing Ring	FP-6736-29-2110		
QTY	PISTON RINGS	PART NO.	SIZE	DESCRIPTION
6	Ring Set, Single Cylinder	FP-6736-31-2030		STD
QTY	PISTONS	PART NO.	SIZE	DESCRIPTION
6	Piston Kit w/Pin & Retainers	FP-6735-01-3110		
6	Piston Pin	FP-6736-31-2430		
6	Piston Pin Bushing	FP-6732-31-3131		

(continued on next page)

5.9L 359 OHV L6, 4.0197" Bore 57
(cont.)

CYLINDER COMPONENTS (cont.)

QTY	PISTONS (cont.)	PART NO.	SIZE	DESCRIPTION
12	Piston Pin Retainer	FP-6736-31-2510		

ENGINE BLOCK & PARTS

QTY	CAM BEARINGS	PART NO.	SIZE	DESCRIPTION
1	Camshaft Bearing	FP-6736-29-1410		1; O/S
6	Camshaft Bearing	FP-6736-29-1420		2-3-4-5; O/S
1	Camshaft Bearing	FP-6732-21-1410	STD	Narrow

QTY	GASKET SETS	PART NO.	SIZE	DESCRIPTION
1	Conversion Gasket Set	FP-6735-01-1210		

QTY	GASKETS	PART NO.	SIZE	DESCRIPTION
1	Oil Pan Gasket	FP-6735-21-5661		Oil pan

FUEL SYSTEM & PARTS

QTY	FUEL INJECTION	PART NO.	SIZE	DESCRIPTION
6	Fuel Injector - New	FP-6735-11-3120		
6	Fuel Injector Nozzle	FP-6134-11-3150		

INT & EXH MANIFOLDS

QTY	INT. & EXH. MANIFOLDS	PART NO.	SIZE	DESCRIPTION
6	Exhaust Manifold Gasket	FP-6736-11-5810		
1	Intake Manifold Gasket	FP-6735-11-4812		

5.9L 359 OHV L6, 4.0197" Bore 58
Excavator

S6D102E; Build Series 1; Eng. Ser. No. 21295204-Up; Model PC200Z-6LE; Model Ser. No. A83001-Up

CAMSHAFT GROUP

QTY	CAMSHAFT/LIFTER	PART NO.	SIZE	DESCRIPTION
12	Lifter	FP-6732-41-2112		

COOLING SYSTEM

QTY	THERMOSTAT	PART NO.	SIZE	DESCRIPTION
1	O-Ring	FP-6732-61-6240		
1	Thermostat	FP-6732-61-1620		Eng. Ser. No. Up to 30707204
1	Thermostat	FP-6735-61-1690		Eng. Ser. No. 30707205-Up

QTY	WATER PUMP	PART NO.	SIZE	DESCRIPTION
1	Water Pump - Heavy Duty	FP-6736-61-1202		

CRANKSHAFT/OIL PUMP

QTY	CRANKSHAFT	PART NO.	SIZE	DESCRIPTION
1	Crankshaft	FP-6735-01-1310		

QTY	MAIN BEARINGS	PART NO.	SIZE	DESCRIPTION
1	Main Bearing Set	FP-6735-21-8100	STD	
1	Main Bearing Set	FP-6736-29-8100	.25MM	
1	Main Bearing Set	FP-6736-28-8100	.50MM	
1	Main Bearing Set	FP-6736-27-8100	.75MM	
1	Main Bearing Set	FP-6736-26-8100	1.00MM	
1	Thrust Washer	FP-6731-21-8610	.50MM	
1	Thrust Washer	FP-6731-21-8620	1.00MM	

QTY	OIL PUMP	PART NO.	SIZE	DESCRIPTION
1	Oil Pump	FP-6731-51-1111		

QTY	SEALS - FRONT CRANK	PART NO.	SIZE	DESCRIPTION
1	Oil Seal	FP-6731-21-4220		
1	Oil Seal Kit	FP-6736-39-1221		

QTY	SEALS - REAR CRANK	PART NO.	SIZE	DESCRIPTION
1	Oil Seal	FP-6735-K2-3001		
1	Oil Seal	FP-6736-39-1130		Wet housing
1	Oil Seal Kit	FP-6736-39-1140		Dry housing

CYL. HEAD & PARTS

QTY	GASKETS	PART NO.	SIZE	DESCRIPTION
1	Head Gasket	FP-6735-11-1821		
1	Head Gasket Set	FP-6731-11-9980		
6	Valve Cover Gasket	FP-6732-11-8181		

QTY	VALVE	PART NO.	SIZE	DESCRIPTION
24	Valve Keeper	FP-6732-41-4520		Int. & Exh.

(continued on next page)

58 5.9L 359 OHV L6, 4.0197" Bore				
(cont.)				
CYL. HEAD & PARTS (cont.)				
QTY	VALVE (cont.)	PART NO.	SIZE	DESCRIPTION
6	Valve, Exhaust	FP-6736-41-4210		
6	Valve, Intake	FP-6736-41-4110		
QTY	VALVE GUIDE	PART NO.	SIZE	DESCRIPTION
12	Valve Guide	FP-6736-18-1310		Int. & Exh.; Thin wall
6	Valve Guide	FP-6736-19-1310		Int.; Thick wall, 60.50MM
6	Valve Guide	FP-6736-19-1410		Exh.; Thick wall, 51.75MM
QTY	VALVE SEAL	PART NO.	SIZE	DESCRIPTION
12	Valve Stem Seal	FP-6732-41-4540		Int. & Exh.
QTY	VALVE SEAT	PART NO.	SIZE	DESCRIPTION
6	Valve Seat	FP-6732-11-1170		Exh.
6	Valve Seat	FP-6732-11-1180		Int.
QTY	VALVE SPRING	PART NO.	SIZE	DESCRIPTION
12	Valve Spring	FP-6732-41-4430		
12	Valve Spring Seat	FP-6732-41-4510		Upper
CYLINDER COMPONENTS				
QTY	CONNECTING RODS & BRGS.	PART NO.	SIZE	DESCRIPTION
12	Rod Bearing Half Upper/Lower	FP-6732-31-3411	STD	
12	Rod Bearing Half Upper/Lower	FP-6736-39-3400	.25MM	
12	Rod Bearing Half Upper/Lower	FP-6736-38-3400	.50MM	
12	Rod Bearing Half Upper/Lower	FP-6736-37-3400	.75MM	
12	Rod Bearing Half Upper/Lower	FP-6736-36-3400	1.00MM	
QTY	LINERS	PART NO.	SIZE	DESCRIPTION
6	Liner w/o Sealing Ring	FP-6736-29-2110		
QTY	PISTON RINGS	PART NO.	SIZE	DESCRIPTION
6	Ring Set, Single Cylinder	FP-6738-31-2031	STD	
QTY	PISTONS	PART NO.	SIZE	DESCRIPTION
6	Piston Body w/o Pin	FP-6735-31-2111	STD	
6	Piston Pin	FP-6731-31-2410		
6	Piston Pin Bushing	FP-6732-31-3131		
12	Piston Pin Retainer	FP-6732-31-2420		
6	Piston w/Retainer & Rings	FP-6735-31-2140	STD	
ENGINE BLOCK & PARTS				
QTY	CAM BEARINGS	PART NO.	SIZE	DESCRIPTION
1	Camshaft Bearing	FP-6736-29-1410		1; O/S
6	Camshaft Bearing	FP-6736-29-1420		2-3-4-5; O/S
1	Camshaft Bearing	FP-6732-21-1410	STD	Narrow
1	Camshaft Bearing	FP-6732-21-1411	STD	Wide
QTY	GASKET SETS	PART NO.	SIZE	DESCRIPTION
1	Conversion Gasket Set	FP-6735-01-1210		
QTY	GASKETS	PART NO.	SIZE	DESCRIPTION
1	Oil Pan Gasket	FP-6735-21-5661		Oil pan
FUEL SYSTEM & PARTS				
QTY	FUEL INJECTION	PART NO.	SIZE	DESCRIPTION
6	Fuel Injector - New	FP-6735-11-3120		
6	Fuel Injector Nozzle	FP-6134-11-3150		
INT & EXH MANIFOLDS				
QTY	INT. & EXH. MANIFOLDS	PART NO.	SIZE	DESCRIPTION
6	Exhaust Manifold Gasket	FP-6736-11-5810		
1	Intake Manifold Gasket	FP-6735-11-4812		
59 5.9L 359 OHV L6, 4.0197" Bore				
Excavator				
S6D102E; Build Series 1AA; Eng. Ser. No. 21180000-Up; Model PC210-6K; Model Ser. No. K30001-Up				
S6D102E; Build Series 1AA; Eng. Ser. No. 21180000-Up; Model PC210LC-6K; Model Ser. No. K30001-Up				
CAMSHAFT GROUP				
QTY	CAMSHAFT/LIFTER	PART NO.	SIZE	DESCRIPTION
12	Lifter	FP-6732-41-2112		

(continued on next page)

5.9L 359 OHV L6, 4.0197" Bore 59
(cont.)

COOLING SYSTEM				
QTY		PART NO.	SIZE	DESCRIPTION
1	O-Ring	FP-6732-61-6240		
1	Thermostat	FP-6735-61-1690		
QTY	WATER PUMP	PART NO.	SIZE	DESCRIPTION
1	Water Pump - Heavy Duty	FP-6736-61-1202		
CRANKSHAFT/OIL PUMP				
QTY	CRANKSHAFT	PART NO.	SIZE	DESCRIPTION
1	Crankshaft	FP-6735-01-1310		
QTY	MAIN BEARINGS	PART NO.	SIZE	DESCRIPTION
1	Main Bearing Set	FP-6735-21-8100		STD
1	Main Bearing Set	FP-6736-29-8100		.25MM
1	Main Bearing Set	FP-6736-28-8100		.50MM
1	Main Bearing Set	FP-6736-27-8100		.75MM
1	Main Bearing Set	FP-6736-26-8100		1.00MM
1	Thrust Washer	FP-6731-21-8610		.50MM
1	Thrust Washer	FP-6731-21-8620		1.00MM
QTY	OIL PUMP	PART NO.	SIZE	DESCRIPTION
1	Oil Pump	FP-6731-51-1111		
QTY	SEALS - FRONT CRANK	PART NO.	SIZE	DESCRIPTION
1	Oil Seal	FP-6731-21-4220		
1	Oil Seal Kit	FP-6736-39-1221		
QTY	SEALS - REAR CRANK	PART NO.	SIZE	DESCRIPTION
1	Oil Seal	FP-6735-K2-3001		
1	Oil Seal	FP-6736-39-1130		Wet housing
1	Oil Seal Kit	FP-6736-39-1140		Dry housing
CYL. HEAD & PARTS				
QTY	GASKETS	PART NO.	SIZE	DESCRIPTION
1	Head Gasket	FP-6735-11-1821		
1	Head Gasket Set	FP-6731-11-9980		
6	Valve Cover Gasket	FP-6732-11-8181		
QTY	VALVE	PART NO.	SIZE	DESCRIPTION
24	Valve Keeper	FP-6732-41-4520		Int. & Exh.
6	Valve, Exhaust	FP-6736-41-4210		
6	Valve, Intake	FP-6736-41-4110		
QTY	VALVE GUIDE	PART NO.	SIZE	DESCRIPTION
12	Valve Guide	FP-6736-18-1310		Int. & Exh.; Thin wall
6	Valve Guide	FP-6736-19-1310		Int.; Thick wall, 60.50MM
6	Valve Guide	FP-6736-19-1410		Exh.; Thick wall, 51.75MM
QTY	VALVE SEAL	PART NO.	SIZE	DESCRIPTION
12	Valve Stem Seal	FP-6732-41-4540		Int. & Exh.
QTY	VALVE SEAT	PART NO.	SIZE	DESCRIPTION
6	Valve Seat	FP-6732-11-1170		Exh.
6	Valve Seat	FP-6732-11-1180		Int.
QTY	VALVE SPRING	PART NO.	SIZE	DESCRIPTION
12	Valve Spring	FP-6732-41-4430		
12	Valve Spring Seat	FP-6732-41-4510		Upper
CYLINDER COMPONENTS				
QTY	CONNECTING RODS & BRGS.	PART NO.	SIZE	DESCRIPTION
12	Rod Bearing Half Upper/Lower	FP-6732-31-3411		STD
12	Rod Bearing Half Upper/Lower	FP-6736-39-3400		.25MM
12	Rod Bearing Half Upper/Lower	FP-6736-38-3400		.50MM
12	Rod Bearing Half Upper/Lower	FP-6736-37-3400		.75MM
12	Rod Bearing Half Upper/Lower	FP-6736-36-3400		1.00MM
QTY	LINERS	PART NO.	SIZE	DESCRIPTION
6	Liner w/o Sealing Ring	FP-6736-29-2110		
QTY	PISTON RINGS	PART NO.	SIZE	DESCRIPTION
6	Ring Set, Single Cylinder	FP-6736-31-2030		STD
QTY	PISTONS	PART NO.	SIZE	DESCRIPTION
6	Piston Kit w/Pin & Retainers	FP-6735-01-3110		
6	Piston Pin	FP-6736-31-2430		
6	Piston Pin Bushing	FP-6732-31-3131		

(continued on next page)

59 5.9L 359 OHV L6, 4.0197" Bore (cont.)

CYLINDER COMPONENTS (cont.)

QTY	PISTONS (cont.)	PART NO.	SIZE	DESCRIPTION
12	Piston Pin Retainer	FP-6736-31-2510		

ENGINE BLOCK & PARTS

QTY	CAM BEARINGS	PART NO.	SIZE	DESCRIPTION
1	Camshaft Bearing	FP-6736-29-1410		1; O/S
6	Camshaft Bearing	FP-6736-29-1420		2-3-4-5; O/S
1	Camshaft Bearing	FP-6732-21-1410	STD	Narrow

QTY	GASKET SETS	PART NO.	SIZE	DESCRIPTION
1	Conversion Gasket Set	FP-6735-01-1210		

QTY	GASKETS	PART NO.	SIZE	DESCRIPTION
1	Oil Pan Gasket	FP-6735-21-5661		Oil pan

FUEL SYSTEM & PARTS

QTY	FUEL INJECTION	PART NO.	SIZE	DESCRIPTION
6	Fuel Injector - New	FP-6735-11-3120		
6	Fuel Injector Nozzle	FP-6134-11-3150		

INT & EXH MANIFOLDS

QTY	INT. & EXH. MANIFOLDS	PART NO.	SIZE	DESCRIPTION
6	Exhaust Manifold Gasket	FP-6736-11-5810		
1	Intake Manifold Gasket	FP-6735-11-4812		

60 5.9L 359 OHV L6, 4.0197" Bore Excavator

S6D102E; Build Series 1C-US; Eng. Ser. No. 26202240-Up; Model PC200-6B; Model Ser. No. C10001-Up
 S6D102E; Build Series 1C-Z; Eng. Ser. No. 26200929-Up; Model PC200-6Z; Model Ser. No. 80001-Up
 S6D102E; Build Series 1C-Z; Eng. Ser. No. 26200929-Up; Model PC200LC-6Z; Model Ser. No. 80001-Up
 S6D102E; Build Series 1C; Eng. Ser. No. 26200929-Up; Model PC200-6; Model Ser. No. 80001-Up
 S6D102E; Build Series 1C; Eng. Ser. No. 26200929-Up; Model PC200-6A; Model Ser. No. 80001-Up
 S6D102E; Build Series 1C; Eng. Ser. No. 26200929-Up; Model PC200-6H-A; Model Ser. No. 80001-Up
 S6D102E; Build Series 1C; Eng. Ser. No. 26200929-Up; Model PC200LC-6; Model Ser. No. 80001-Up
 S6D102E; Build Series 1C; Eng. Ser. No. 26200929-Up; Model PC200LC-6H; Model Ser. No. 80001-Up
 S6D102E; Build Series 1C; Eng. Ser. No. 26200929-Up; Model PC210-6; Model Ser. No. 30001-Up
 S6D102E; Build Series 1C; Eng. Ser. No. 26202240-Up; Model PC200CA-6-C1; Model Ser. No. T10001-Up
 S6D102E; Build Series 1C; Eng. Ser. No. 26202240-Up; Model PC200CA-6-U1; Model Ser. No. T10001-Up
 S6D102E; Build Series 1C; Eng. Ser. No. 26202240-Up; Model PC200CA-6; Model Ser. No. T10001-Up
 S6D102E; Build Series 1F; Eng. Ser. No. 26200929-Up; Model PC228UU-1-NZ; Model Ser. No. 11001-Up
 S6D102E; Build Series 1FL-S2; Eng. Ser. No. 26200929-Up; Model PC228US-1T; Model Ser. No. 11001-Up
 S6D102E; Build Series 1FL-S2; Eng. Ser. No. 26200929-Up; Model PC228US-2-KJ; Model Ser. No. 15001-Up
 S6D102E; Build Series 1FL-S2; Eng. Ser. No. 26200929-Up; Model PC228US-2-US; Model Ser. No. 15001-Up
 S6D102E; Build Series 1FL-S2; Eng. Ser. No. 26200929-Up; Model PC228USLC-1; Model Ser. No. 11001-Up
 S6D102E; Build Series 1FL-S2; Eng. Ser. No. 26200929-Up; Model PC228USLC-2; Model Ser. No. 15001-Up

CAMSHAFT GROUP

QTY	CAMSHAFT/LIFTER	PART NO.	SIZE	DESCRIPTION
12	Lifter	FP-6732-41-2112		

COOLING SYSTEM

QTY	THERMOSTAT	PART NO.	SIZE	DESCRIPTION
1	O-Ring	FP-6732-61-6240		
1	Thermostat	FP-6732-61-1620		From Eng. Ser. No. 26200929 to 30707204
1	Thermostat	FP-6732-61-1620		From Eng. Ser. No. 26202240 to 30707204
1	Thermostat	FP-6735-61-1690		Eng. Ser. No. 30707205-Up

QTY	WATER PUMP	PART NO.	SIZE	DESCRIPTION
1	Water Pump - Heavy Duty	FP-6736-61-1202		

CRANKSHAFT/OIL PUMP

QTY	CRANKSHAFT	PART NO.	SIZE	DESCRIPTION
1	Crankshaft	FP-6735-01-1310		

QTY	MAIN BEARINGS	PART NO.	SIZE	DESCRIPTION
1	Main Bearing Set	FP-6735-21-8100	STD	
1	Main Bearing Set	FP-6736-29-8100	.25MM	
1	Main Bearing Set	FP-6736-28-8100	.50MM	
1	Main Bearing Set	FP-6736-27-8100	.75MM	
1	Main Bearing Set	FP-6736-26-8100	1.00MM	

(continued on next page)

5.9L 359 OHV L6, 4.0197" Bore 60
(cont.)

CRANKSHAFT/OIL PUMP (cont.)

QTY	MAIN BEARINGS (cont.)	PART NO.	SIZE	DESCRIPTION
1	Thrust Washer	FP-6731-21-8610	.50MM	
1	Thrust Washer	FP-6731-21-8620	1.00MM	
QTY	OIL PUMP	PART NO.	SIZE	DESCRIPTION
1	Oil Pump	FP-6731-51-1111		
QTY	SEALS - FRONT CRANK	PART NO.	SIZE	DESCRIPTION
1	Oil Seal	FP-6731-21-4220		
1	Oil Seal Kit	FP-6736-39-1221		
QTY	SEALS - REAR CRANK	PART NO.	SIZE	DESCRIPTION
1	Oil Seal	FP-6735-K2-3001		
1	Oil Seal	FP-6736-39-1130		Wet housing
1	Oil Seal Kit	FP-6736-39-1140		Dry housing

CYL. HEAD & PARTS

QTY	GASKETS	PART NO.	SIZE	DESCRIPTION
1	Head Gasket	FP-6735-11-1821		
1	Head Gasket Set	FP-6731-11-9980		
6	Valve Cover Gasket	FP-6732-11-8181		
QTY	VALVE	PART NO.	SIZE	DESCRIPTION
24	Valve Keeper	FP-6732-41-4520		Int. & Exh.
6	Valve, Exhaust	FP-6736-41-4210		
6	Valve, Intake	FP-6736-41-4110		
QTY	VALVE GUIDE	PART NO.	SIZE	DESCRIPTION
12	Valve Guide	FP-6736-18-1310		Int. & Exh.; Thin wall
6	Valve Guide	FP-6736-19-1310		Int.; Thick wall, 60.50MM
6	Valve Guide	FP-6736-19-1410		Exh.; Thick wall, 51.75MM
QTY	VALVE SEAL	PART NO.	SIZE	DESCRIPTION
12	Valve Stem Seal	FP-6732-41-4540		Int. & Exh.
QTY	VALVE SEAT	PART NO.	SIZE	DESCRIPTION
6	Valve Seat	FP-6732-11-1170		Exh.
6	Valve Seat	FP-6732-11-1180		Int.
QTY	VALVE SPRING	PART NO.	SIZE	DESCRIPTION
12	Valve Spring	FP-6732-41-4430		
12	Valve Spring Seat	FP-6732-41-4510		Upper

CYLINDER COMPONENTS

QTY	CONNECTING RODS & BRGS.	PART NO.	SIZE	DESCRIPTION
12	Rod Bearing Half Upper/Lower	FP-6732-31-3411	STD	
12	Rod Bearing Half Upper/Lower	FP-6736-39-3400	.25MM	
12	Rod Bearing Half Upper/Lower	FP-6736-38-3400	.50MM	
12	Rod Bearing Half Upper/Lower	FP-6736-37-3400	.75MM	
12	Rod Bearing Half Upper/Lower	FP-6736-36-3400	1.00MM	
QTY	LINERS	PART NO.	SIZE	DESCRIPTION
6	Liner w/o Sealing Ring	FP-6736-29-2110		
QTY	PISTON RINGS	PART NO.	SIZE	DESCRIPTION
6	Ring Set, Single Cylinder	FP-6738-31-2031	STD	
QTY	PISTONS	PART NO.	SIZE	DESCRIPTION
6	Piston Body w/o Pin	FP-6735-31-2111	STD	
6	Piston Pin	FP-6731-31-2410		
6	Piston Pin Bushing	FP-6732-31-3131		
12	Piston Pin Retainer	FP-6732-31-2420		
6	Piston w/Retainer & Rings	FP-6735-31-2140	STD	

ENGINE BLOCK & PARTS

QTY	CAM BEARINGS	PART NO.	SIZE	DESCRIPTION
1	Camshaft Bearing	FP-6736-29-1410		1; O/S
6	Camshaft Bearing	FP-6736-29-1420		2-3-4-5; O/S
1	Camshaft Bearing	FP-6732-21-1410	STD	Narrow
1	Camshaft Bearing	FP-6732-21-1411	STD	Wide
QTY	GASKET SETS	PART NO.	SIZE	DESCRIPTION
1	Conversion Gasket Set	FP-6735-01-1210		
QTY	GASKETS	PART NO.	SIZE	DESCRIPTION
1	Oil Pan Gasket	FP-6735-21-5661		Oil pan

(continued on next page)

60 5.9L 359 OHV L6, 4.0197" Bore				
FUEL SYSTEM & PARTS				
QTY	FUEL INJECTION	PART NO.	SIZE	DESCRIPTION
6	Fuel Injector - New	FP-6732-11-3120		
6	Fuel Injector Nozzle	FP-6732-11-3140		
INT & EXH MANIFOLDS				
QTY	INT. & EXH. MANIFOLDS	PART NO.	SIZE	DESCRIPTION
6	Exhaust Manifold Gasket	FP-6736-11-5810		
1	Intake Manifold Gasket	FP-6735-11-4812		
61 5.9L 359 OHV L6, 4.0197" Bore				
Excavator				
S6D102E; Build Series 1; Eng. Ser. No. 21295204-Up; Model PC200LC-6; Model Ser. No. A83001-Up				
S6D102E; Build Series 1; Eng. Ser. No. 21295204-Up; Model PC200LL-6; Model Ser. No. A85001-Up				
S6D102E; Build Series 1; Eng. Ser. No. 21295204-Up; Model PC210LC-6; Model Ser. No. A83001-Up				
S6D102E; Build Series 1AB; Eng. Ser. No. 21295204-Up; Model PC210-6K; Model Ser. No. K30001-Up				
S6D102E; Build Series 1AB; Eng. Ser. No. 21295204-Up; Model PC210LC-6K; Model Ser. No. K30001-Up				
S6D102E; Build Series 1AB; Eng. Ser. No. 21296537-Up; Model PC240-6K; Model Ser. No. K30001-Up				
S6D102E; Build Series 1AB; Eng. Ser. No. 21296537-Up; Model PC240LC-6K; Model Ser. No. K30001-Up				
S6D102E; Build Series 1AB; Eng. Ser. No. 21296537-Up; Model PC240NLC-6K; Model Ser. No. K30001-Up				
S6D102E; Build Series 1AC; Eng. Ser. No. 21180000-Up; Model PC200EL-6K; Model Ser. No. K30001-Up				
S6D102E; Build Series 1AC; Eng. Ser. No. 21180000-Up; Model PC200EN-6K; Model Ser. No. K30001-Up				
CAMSHAFT GROUP				
QTY	CAMSHAFT/LIFTER	PART NO.	SIZE	DESCRIPTION
12	Lifter	FP-6732-41-2112		
COOLING SYSTEM				
QTY	THERMOSTAT	PART NO.	SIZE	DESCRIPTION
1	O-Ring	FP-6732-61-6240		
1	Thermostat	FP-6732-61-1620		Eng. Ser. No. Up to 30707204
1	Thermostat	FP-6732-61-1620		From Eng. Ser. No. 21180000 to 30707204
1	Thermostat	FP-6732-61-1620		From Eng. Ser. No. 21295204 to 30707204
1	Thermostat	FP-6732-61-1620		From Eng. Ser. No. 21296537 to 30707204
1	Thermostat	FP-6735-61-1690		Eng. Ser. No. 30707205-Up
QTY	WATER PUMP	PART NO.	SIZE	DESCRIPTION
1	Water Pump - Heavy Duty	FP-6736-61-1202		
CRANKSHAFT/OIL PUMP				
QTY	CRANKSHAFT	PART NO.	SIZE	DESCRIPTION
1	Crankshaft	FP-6735-01-1310		
QTY	MAIN BEARINGS	PART NO.	SIZE	DESCRIPTION
1	Main Bearing Set	FP-6735-21-8100		STD
1	Main Bearing Set	FP-6736-29-8100		.25MM
1	Main Bearing Set	FP-6736-28-8100		.50MM
1	Main Bearing Set	FP-6736-27-8100		.75MM
1	Main Bearing Set	FP-6736-26-8100		1.00MM
1	Thrust Washer	FP-6731-21-8610		.50MM
1	Thrust Washer	FP-6731-21-8620		1.00MM
QTY	OIL PUMP	PART NO.	SIZE	DESCRIPTION
1	Oil Pump	FP-6731-51-1111		
QTY	SEALS - FRONT CRANK	PART NO.	SIZE	DESCRIPTION
1	Oil Seal	FP-6731-21-4220		
1	Oil Seal Kit	FP-6736-39-1221		
QTY	SEALS - REAR CRANK	PART NO.	SIZE	DESCRIPTION
1	Oil Seal	FP-6735-K2-3001		
1	Oil Seal	FP-6736-39-1130		Wet housing
1	Oil Seal Kit	FP-6736-39-1140		Dry housing
CYL. HEAD & PARTS				
QTY	GASKETS	PART NO.	SIZE	DESCRIPTION
1	Head Gasket	FP-6735-11-1821		
1	Head Gasket Set	FP-6731-11-9980		
6	Valve Cover Gasket	FP-6732-11-8181		
QTY	VALVE	PART NO.	SIZE	DESCRIPTION
24	Valve Keeper	FP-6732-41-4520		Int. & Exh.
6	Valve, Exhaust	FP-6736-41-4210		

(continued on next page)

5.9L 359 OHV L6, 4.0197" Bore 61
(cont.)

CYL. HEAD & PARTS (cont.)

QTY	VALVE (cont.)	PART NO.	SIZE	DESCRIPTION
6	Valve, Intake	FP-6736-41-4110		
12	Valve Guide	FP-6736-18-1310		Int. & Exh.; Thin wall
6	Valve Guide	FP-6736-19-1310		Int.; Thick wall, 60.50MM
6	Valve Guide	FP-6736-19-1410		Exh.; Thick wall, 51.75MM
12	Valve Stem Seal	FP-6732-41-4540		Int. & Exh.
6	Valve Seat	FP-6732-11-1170		Exh.
6	Valve Seat	FP-6732-11-1180		Int.
12	Valve Spring	FP-6732-41-4430		
12	Valve Spring Seat	FP-6732-41-4510		Upper

CYLINDER COMPONENTS

QTY	CONNECTING RODS & BRGS.	PART NO.	SIZE	DESCRIPTION
12	Rod Bearing Half Upper/Lower	FP-6732-31-3411	STD	
12	Rod Bearing Half Upper/Lower	FP-6736-39-3400	.25MM	
12	Rod Bearing Half Upper/Lower	FP-6736-38-3400	.50MM	
12	Rod Bearing Half Upper/Lower	FP-6736-37-3400	.75MM	
12	Rod Bearing Half Upper/Lower	FP-6736-36-3400	1.00MM	
6	Liner w/o Sealing Ring	FP-6736-29-2110		
6	Ring Set, Single Cylinder	FP-6738-31-2031	STD	
6	Piston Body w/o Pin	FP-6735-31-2111	STD	
6	Piston Pin	FP-6731-31-2410		
6	Piston Pin Bushing	FP-6732-31-3131		
12	Piston Pin Retainer	FP-6732-31-2420		
6	Piston w/Retainer & Rings	FP-6735-31-2140	STD	

ENGINE BLOCK & PARTS

QTY	CAM BEARINGS	PART NO.	SIZE	DESCRIPTION
1	Camshaft Bearing	FP-6736-29-1410		1; O/S
6	Camshaft Bearing	FP-6736-29-1420		2-3-4-5; O/S
1	Camshaft Bearing	FP-6732-21-1410	STD	Narrow
1	Camshaft Bearing	FP-6732-21-1411	STD	Wide
1	Conversion Gasket Set	FP-6735-01-1210		
1	Oil Pan Gasket	FP-6735-21-5661		Oil pan

FUEL SYSTEM & PARTS

QTY	FUEL INJECTION	PART NO.	SIZE	DESCRIPTION
6	Fuel Injector - New	FP-6733-11-3100		
6	Fuel Injector Nozzle	FP-6735-11-3160		

INT & EXH MANIFOLDS

QTY	INT. & EXH. MANIFOLDS	PART NO.	SIZE	DESCRIPTION
6	Exhaust Manifold Gasket	FP-6736-11-5810		
1	Intake Manifold Gasket	FP-6735-11-4812		

5.9L 359 OHV L6, 4.0197" Bore 62
Excavator

S6D102E; Build Series 1AA; Eng. Ser. No. 21180000-Up; Model PC240-6K; Model Ser. No. K30001-Up
 S6D102E; Build Series 1AA; Eng. Ser. No. 21180000-Up; Model PC240LC-6K; Model Ser. No. K30001-Up
 S6D102E; Build Series 1AA; Eng. Ser. No. 21180000-Up; Model PC240NLC-6K; Model Ser. No. K30001-Up

CAMSHAFT GROUP

QTY	CAMSHAFT/LIFTER	PART NO.	SIZE	DESCRIPTION
12	Lifter	FP-6732-41-2112		

(continued on next page)

62 5.9L 359 OHV L6, 4.0197" Bore				
(cont.)				
COOLING SYSTEM				
QTY	THERMOSTAT	PART NO.	SIZE	DESCRIPTION
1	O-Ring	FP-6732-61-6240		
1	Thermostat	FP-6732-61-1620		
QTY	WATER PUMP	PART NO.	SIZE	DESCRIPTION
1	Water Pump - Heavy Duty	FP-6736-61-1202		
CRANKSHAFT/OIL PUMP				
QTY	CRANKSHAFT	PART NO.	SIZE	DESCRIPTION
1	Crankshaft	FP-6735-01-1310		
QTY	MAIN BEARINGS	PART NO.	SIZE	DESCRIPTION
1	Main Bearing Set	FP-6735-21-8100		STD
1	Main Bearing Set	FP-6736-29-8100		.25MM
1	Main Bearing Set	FP-6736-28-8100		.50MM
1	Main Bearing Set	FP-6736-27-8100		.75MM
1	Main Bearing Set	FP-6736-26-8100		1.00MM
1	Thrust Washer	FP-6731-21-8610		.50MM
1	Thrust Washer	FP-6731-21-8620		1.00MM
QTY	OIL PUMP	PART NO.	SIZE	DESCRIPTION
1	Oil Pump	FP-6731-51-1111		
QTY	SEALS - FRONT CRANK	PART NO.	SIZE	DESCRIPTION
1	Oil Seal	FP-6731-21-4220		
1	Oil Seal Kit	FP-6736-39-1221		
QTY	SEALS - REAR CRANK	PART NO.	SIZE	DESCRIPTION
1	Oil Seal	FP-6735-K2-3001		
1	Oil Seal	FP-6736-39-1130		Wet housing
1	Oil Seal Kit	FP-6736-39-1140		Dry housing
CYL. HEAD & PARTS				
QTY	GASKETS	PART NO.	SIZE	DESCRIPTION
1	Head Gasket	FP-6735-11-1821		
1	Head Gasket Set	FP-6731-11-9980		
6	Valve Cover Gasket	FP-6732-11-8181		
QTY	VALVE	PART NO.	SIZE	DESCRIPTION
24	Valve Keeper	FP-6732-41-4520		Int. & Exh.
6	Valve, Exhaust	FP-6736-41-4210		
6	Valve, Intake	FP-6736-41-4110		
QTY	VALVE GUIDE	PART NO.	SIZE	DESCRIPTION
12	Valve Guide	FP-6736-18-1310		Int. & Exh.; Thin wall
6	Valve Guide	FP-6736-19-1310		Int.; Thick wall, 60.50MM
6	Valve Guide	FP-6736-19-1410		Exh.; Thick wall, 51.75MM
QTY	VALVE SEAL	PART NO.	SIZE	DESCRIPTION
12	Valve Stem Seal	FP-6732-41-4540		Int. & Exh.
QTY	VALVE SEAT	PART NO.	SIZE	DESCRIPTION
6	Valve Seat	FP-6732-11-1170		Exh.
6	Valve Seat	FP-6732-11-1180		Int.
QTY	VALVE SPRING	PART NO.	SIZE	DESCRIPTION
12	Valve Spring	FP-6732-41-4430		
12	Valve Spring Seat	FP-6732-41-4510		Upper
CYLINDER COMPONENTS				
QTY	CONNECTING RODS & BRGS.	PART NO.	SIZE	DESCRIPTION
12	Rod Bearing Half Upper/Lower	FP-6732-31-3411		STD
12	Rod Bearing Half Upper/Lower	FP-6736-39-3400		.25MM
12	Rod Bearing Half Upper/Lower	FP-6736-38-3400		.50MM
12	Rod Bearing Half Upper/Lower	FP-6736-37-3400		.75MM
12	Rod Bearing Half Upper/Lower	FP-6736-36-3400		1.00MM
QTY	LINERS	PART NO.	SIZE	DESCRIPTION
6	Liner w/o Sealing Ring	FP-6736-29-2110		
QTY	PISTON RINGS	PART NO.	SIZE	DESCRIPTION
6	Ring Set, Single Cylinder	FP-6736-31-2030		STD
QTY	PISTONS	PART NO.	SIZE	DESCRIPTION
6	Piston Pin	FP-6731-31-2410		
6	Piston Pin Bushing	FP-6732-31-3131		
12	Piston Pin Retainer	FP-6732-31-2420		

(continued on next page)

5.9L 359 OHV L6, 4.0197" Bore **62** (cont.)

CYLINDER COMPONENTS (cont.)

QTY	PISTONS (cont.)	PART NO.	SIZE	DESCRIPTION
6	Piston w/Retainer & Rings	FP-6736-31-2010	STD	

ENGINE BLOCK & PARTS

QTY	CAM BEARINGS	PART NO.	SIZE	DESCRIPTION
1	Camshaft Bearing	FP-6736-29-1410		1; O/S
6	Camshaft Bearing	FP-6736-29-1420		2-3-4-5; O/S
1	Camshaft Bearing	FP-6732-21-1410	STD	Narrow

QTY	GASKET SETS	PART NO.	SIZE	DESCRIPTION
1	Conversion Gasket Set	FP-6735-01-1210		

QTY	GASKETS	PART NO.	SIZE	DESCRIPTION
1	Oil Pan Gasket	FP-6735-21-5661		Oil pan

FUEL SYSTEM & PARTS

QTY	FUEL INJECTION	PART NO.	SIZE	DESCRIPTION
6	Fuel Injector - New	FP-6736-11-3130		
6	Fuel Injector Nozzle	FP-6734-11-3150		

INT & EXH MANIFOLDS

QTY	INT. & EXH. MANIFOLDS	PART NO.	SIZE	DESCRIPTION
6	Exhaust Manifold Gasket	FP-6736-11-5810		
1	Intake Manifold Gasket	FP-6735-11-4811		

5.9L 359 OHV L6, 4.0197" Bore **63** *Excavator*

SA6D102; Build Series 1; Model PC220LC-6; Model Ser. No. A82001-Up
SA6D102; Build Series 1; Model PC250LC-6; Model Ser. No. A82001-Up

CAMSHAFT GROUP

QTY	CAMSHAFT/LIFTER	PART NO.	SIZE	DESCRIPTION
12	Lifter	FP-6732-41-2112		

COOLING SYSTEM

QTY	THERMOSTAT	PART NO.	SIZE	DESCRIPTION
1	O-Ring	FP-6732-61-6240		
1	Thermostat	FP-6732-61-1620		

QTY	WATER PUMP	PART NO.	SIZE	DESCRIPTION
1	Water Pump - Heavy Duty	FP-6736-61-1202		

CRANKSHAFT/OIL PUMP

QTY	CRANKSHAFT	PART NO.	SIZE	DESCRIPTION
1	Crankshaft	FP-6735-01-1310		

QTY	MAIN BEARINGS	PART NO.	SIZE	DESCRIPTION
1	Main Bearing Set	FP-6735-21-8100	STD	
1	Main Bearing Set	FP-6736-29-8100	.25MM	
1	Main Bearing Set	FP-6736-28-8100	.50MM	
1	Main Bearing Set	FP-6736-27-8100	.75MM	
1	Main Bearing Set	FP-6736-26-8100	1.00MM	
1	Thrust Washer	FP-6731-21-8610	.50MM	
1	Thrust Washer	FP-6731-21-8620	1.00MM	

QTY	OIL PUMP	PART NO.	SIZE	DESCRIPTION
1	Oil Pump	FP-6731-51-1111		

QTY	SEALS - FRONT CRANK	PART NO.	SIZE	DESCRIPTION
1	Oil Seal	FP-6731-21-4220		
1	Oil Seal Kit	FP-6736-39-1221		

QTY	SEALS - REAR CRANK	PART NO.	SIZE	DESCRIPTION
1	Oil Seal	FP-6735-K2-3001		
1	Oil Seal	FP-6736-39-1130		Wet housing
1	Oil Seal Kit	FP-6736-39-1140		Dry housing

CYL. HEAD & PARTS

QTY	GASKETS	PART NO.	SIZE	DESCRIPTION
1	Head Gasket	FP-6735-11-1821		
1	Head Gasket Set	FP-6731-11-9980		
6	Valve Cover Gasket	FP-6732-11-8181		

QTY	VALVE	PART NO.	SIZE	DESCRIPTION
24	Valve Keeper	FP-6732-41-4520		Int. & Exh.

(continued on next page)

63 5.9L 359 OHV L6, 4.0197" Bore				
(cont.)				
CYL. HEAD & PARTS (cont.)				
QTY	VALVE (cont.)	PART NO.	SIZE	DESCRIPTION
6	Valve, Exhaust	FP-6736-41-4210		
6	Valve, Intake	FP-6736-41-4110		
QTY	VALVE GUIDE	PART NO.	SIZE	DESCRIPTION
12	Valve Guide	FP-6736-18-1310		Int. & Exh.; Thin wall
6	Valve Guide	FP-6736-19-1310		Int.; Thick wall, 60.50MM
6	Valve Guide	FP-6736-19-1410		Exh.; Thick wall, 51.75MM
QTY	VALVE SEAL	PART NO.	SIZE	DESCRIPTION
12	Valve Stem Seal	FP-6732-41-4540		Int. & Exh.
QTY	VALVE SEAT	PART NO.	SIZE	DESCRIPTION
6	Valve Seat	FP-6732-11-1170		Exh.
6	Valve Seat	FP-6732-11-1180		Int.
QTY	VALVE SPRING	PART NO.	SIZE	DESCRIPTION
12	Valve Spring	FP-6732-41-4430		
12	Valve Spring Seat	FP-6732-41-4510		Upper
CYLINDER COMPONENTS				
QTY	CONNECTING RODS & BRGS.	PART NO.	SIZE	DESCRIPTION
12	Rod Bearing Half Upper/Lower	FP-6732-31-3411	STD	
12	Rod Bearing Half Upper/Lower	FP-6736-39-3400	.25MM	
12	Rod Bearing Half Upper/Lower	FP-6736-38-3400	.50MM	
12	Rod Bearing Half Upper/Lower	FP-6736-37-3400	.75MM	
12	Rod Bearing Half Upper/Lower	FP-6736-36-3400	1.00MM	
QTY	LINERS	PART NO.	SIZE	DESCRIPTION
6	Liner w/o Sealing Ring	FP-6736-29-2110		
QTY	PISTON RINGS	PART NO.	SIZE	DESCRIPTION
6	Ring Set, Single Cylinder	FP-6736-31-2030	STD	
QTY	PISTONS	PART NO.	SIZE	DESCRIPTION
6	Piston Pin	FP-6731-31-2410		
6	Piston Pin Bushing	FP-6732-31-3131		
12	Piston Pin Retainer	FP-6732-31-2420		
6	Piston w/Retainer & Rings	FP-6736-31-2010	STD	
ENGINE BLOCK & PARTS				
QTY	CAM BEARINGS	PART NO.	SIZE	DESCRIPTION
1	Camshaft Bearing	FP-6736-29-1410		1; O/S
6	Camshaft Bearing	FP-6736-29-1420		2-3-4-5; O/S
1	Camshaft Bearing	FP-6732-21-1410	STD	Narrow
QTY	GASKET SETS	PART NO.	SIZE	DESCRIPTION
1	Conversion Gasket Set	FP-6735-01-1210		
QTY	GASKETS	PART NO.	SIZE	DESCRIPTION
1	Oil Pan Gasket	FP-6735-21-5661		Oil pan
FUEL SYSTEM & PARTS				
QTY	FUEL INJECTION	PART NO.	SIZE	DESCRIPTION
6	Fuel Injector - New	FP-6736-11-3130		
6	Fuel Injector Nozzle	FP-6734-11-3150		
INT & EXH MANIFOLDS				
QTY	INT. & EXH. MANIFOLDS	PART NO.	SIZE	DESCRIPTION
6	Exhaust Manifold Gasket	FP-6736-11-5810		
1	Intake Manifold Gasket	FP-6735-11-4811		
64 5.9L 359 OHV L6, 4.0197" Bore				
Excavator				
SA6D102E; Build Series 1AC; Eng. Ser. No. 21288263-Up; Model PC290LC-6K; Model Ser. No. K30001-Up				
SA6D102E; Build Series 1AC; Eng. Ser. No. 21288263-Up; Model PC290NLC-6K; Model Ser. No. K30001-Up				
CAMSHAFT GROUP				
QTY	CAMSHAFT/LIFTER	PART NO.	SIZE	DESCRIPTION
12	Lifter	FP-6732-41-2112		
COOLING SYSTEM				
QTY	THERMOSTAT	PART NO.	SIZE	DESCRIPTION
1	O-Ring	FP-6732-61-6240		

(continued on next page)

5.9L 359 OHV L6, 4.0197" Bore 64
(cont.)

COOLING SYSTEM (cont.)				
QTY	DESCRIPTION	PART NO.	SIZE	DESCRIPTION
1	THERMOSTAT (cont.) Thermostat	FP-6732-61-1620		
1	WATER PUMP Water Pump - Heavy Duty	FP-6736-61-1202		
CRANKSHAFT/OIL PUMP				
1	CRANKSHAFT Crankshaft	FP-6735-01-1310		
1	MAIN BEARINGS Main Bearing Set	FP-6735-21-8100	STD	
1	Main Bearing Set	FP-6736-29-8100	.25MM	
1	Main Bearing Set	FP-6736-28-8100	.50MM	
1	Main Bearing Set	FP-6736-27-8100	.75MM	
1	Main Bearing Set	FP-6736-26-8100	1.00MM	
1	Thrust Washer	FP-6731-21-8610	.50MM	
1	Thrust Washer	FP-6731-21-8620	1.00MM	
1	OIL PUMP Oil Pump	FP-6731-51-1111		
1	SEALS - FRONT CRANK Oil Seal	FP-6731-21-4220		
1	Oil Seal Kit	FP-6736-39-1221		
1	SEALS - REAR CRANK Oil Seal	FP-6735-K2-3001		
1	Oil Seal	FP-6736-39-1130		Wet housing
1	Oil Seal Kit	FP-6736-39-1140		Dry housing
CYL. HEAD & PARTS				
1	GASKETS Head Gasket	FP-6735-11-1821		
1	Head Gasket Set	FP-6731-11-9980		
6	Valve Cover Gasket	FP-6732-11-8181		
24	VALVE Valve Keeper	FP-6732-41-4520		Int. & Exh.
6	Valve, Exhaust	FP-6736-41-4210		
6	Valve, Intake	FP-6736-41-4110		
12	VALVE GUIDE Valve Guide	FP-6736-18-1310		Int. & Exh.; Thin wall
6	Valve Guide	FP-6736-19-1310		Int.; Thick wall, 60.50MM
6	Valve Guide	FP-6736-19-1410		Exh.; Thick wall, 51.75MM
12	VALVE SEAL Valve Stem Seal	FP-6732-41-4540		Int. & Exh.
6	VALVE SEAT Valve Seat	FP-6732-11-1170		Exh.
6	Valve Seat	FP-6732-11-1180		Int.
12	VALVE SPRING Valve Spring	FP-6732-41-4430		
12	Valve Spring Seat	FP-6732-41-4510		Upper
CYLINDER COMPONENTS				
12	CONNECTING RODS & BRGS. Rod Bearing Half Upper/Lower	FP-6732-31-3411	STD	
12	Rod Bearing Half Upper/Lower	FP-6736-39-3400	.25MM	
12	Rod Bearing Half Upper/Lower	FP-6736-38-3400	.50MM	
12	Rod Bearing Half Upper/Lower	FP-6736-37-3400	.75MM	
12	Rod Bearing Half Upper/Lower	FP-6736-36-3400	1.00MM	
6	LINERS Liner w/o Sealing Ring	FP-6736-29-2110		
6	PISTON RINGS Ring Set, Single Cylinder	FP-6731-31-2280	STD	
6	PISTONS Piston Pin	FP-6731-31-2410		
6	Piston Pin Bushing	FP-6732-31-3131		
12	Piston Pin Retainer	FP-6732-31-2420		
6	Piston With Retainers	FP-6733-31-2110	STD	

(continued on next page)

64 5.9L 359 OHV L6, 4.0197" Bore				
(cont.)				
ENGINE BLOCK & PARTS				
QTY	CAM BEARINGS	PART NO.	SIZE	DESCRIPTION
1	Camshaft Bearing	FP-6736-29-1410		1; O/S
6	Camshaft Bearing	FP-6736-29-1420		2-3-4-5; O/S
1	Camshaft Bearing	FP-6732-21-1411	STD	Wide
QTY	GASKET SETS	PART NO.	SIZE	DESCRIPTION
1	Conversion Gasket Set	FP-6735-01-1210		
QTY	GASKETS	PART NO.	SIZE	DESCRIPTION
1	Oil Pan Gasket	FP-6735-21-5661		Oil pan
FUEL SYSTEM & PARTS				
QTY	FUEL INJECTION	PART NO.	SIZE	DESCRIPTION
6	Fuel Injector - New	FP-6731-11-3130		
6	Fuel Injector Nozzle	FP-6735-11-3160		
INT & EXH MANIFOLDS				
QTY	INT. & EXH. MANIFOLDS	PART NO.	SIZE	DESCRIPTION
6	Exhaust Manifold Gasket	FP-6736-11-5810		
1	Intake Manifold Gasket	FP-6735-11-4812		
65 5.9L 359 OHV L6, 4.0197" Bore				
Excavator				
SA6D102E; Build Series 1; Model PC270LC-6; Model Ser. No. A83001-Up				
CAMSHAFT GROUP				
QTY	CAMSHAFT/LIFTER	PART NO.	SIZE	DESCRIPTION
12	Lifter	FP-6732-41-2112		
COOLING SYSTEM				
QTY	THERMOSTAT	PART NO.	SIZE	DESCRIPTION
1	O-Ring	FP-6732-61-6240		
1	Thermostat	FP-6732-61-1620		
QTY	WATER PUMP	PART NO.	SIZE	DESCRIPTION
1	Water Pump - Heavy Duty	FP-6736-61-1202		
CRANKSHAFT/OIL PUMP				
QTY	CRANKSHAFT	PART NO.	SIZE	DESCRIPTION
1	Crankshaft	FP-6735-01-1310		
QTY	MAIN BEARINGS	PART NO.	SIZE	DESCRIPTION
1	Main Bearing Set	FP-6735-21-8100	STD	
1	Main Bearing Set	FP-6736-29-8100	.25MM	
1	Main Bearing Set	FP-6736-28-8100	.50MM	
1	Main Bearing Set	FP-6736-27-8100	.75MM	
1	Main Bearing Set	FP-6736-26-8100	1.00MM	
1	Thrust Washer	FP-6731-21-8610	.50MM	
1	Thrust Washer	FP-6731-21-8620	1.00MM	
QTY	OIL PUMP	PART NO.	SIZE	DESCRIPTION
1	Oil Pump	FP-6731-51-1111		
QTY	SEALS - FRONT CRANK	PART NO.	SIZE	DESCRIPTION
1	Oil Seal	FP-6731-21-4220		
1	Oil Seal Kit	FP-6736-39-1221		
QTY	SEALS - REAR CRANK	PART NO.	SIZE	DESCRIPTION
1	Oil Seal	FP-6735-K2-3001		
1	Oil Seal	FP-6736-39-1130		Wet housing
1	Oil Seal Kit	FP-6736-39-1140		Dry housing
CYL. HEAD & PARTS				
QTY	GASKETS	PART NO.	SIZE	DESCRIPTION
1	Head Gasket	FP-6735-11-1821		
1	Head Gasket Set	FP-6731-11-9980		
6	Valve Cover Gasket	FP-6732-11-8181		
QTY	VALVE	PART NO.	SIZE	DESCRIPTION
24	Valve Keeper	FP-6732-41-4520		Int. & Exh.
6	Valve, Exhaust	FP-6736-41-4210		
6	Valve, Intake	FP-6736-41-4110		
QTY	VALVE GUIDE	PART NO.	SIZE	DESCRIPTION
12	Valve Guide	FP-6736-18-1310		Int. & Exh.; Thin wall

(continued on next page)

5.9L 359 OHV L6, 4.0197" Bore 65 (cont.)

CYL. HEAD & PARTS (cont.)

QTY	VALVE GUIDE (cont.)	PART NO.	SIZE	DESCRIPTION
6	Valve Guide	FP-6736-19-1310		Int.; Thick wall, 60.50MM
6	Valve Guide	FP-6736-19-1410		Exh.; Thick wall, 51.75MM
QTY	VALVE SEAL	PART NO.	SIZE	DESCRIPTION
12	Valve Stem Seal	FP-6732-41-4540		Int. & Exh.
QTY	VALVE SEAT	PART NO.	SIZE	DESCRIPTION
6	Valve Seat	FP-6732-11-1170		Exh.
6	Valve Seat	FP-6732-11-1180		Int.
QTY	VALVE SPRING	PART NO.	SIZE	DESCRIPTION
12	Valve Spring	FP-6732-41-4430		
12	Valve Spring Seat	FP-6732-41-4510		Upper

CYLINDER COMPONENTS

QTY	CONNECTING RODS & BRGS.	PART NO.	SIZE	DESCRIPTION
12	Rod Bearing Half Upper/Lower	FP-6732-31-3411		STD
12	Rod Bearing Half Upper/Lower	FP-6736-39-3400		.25MM
12	Rod Bearing Half Upper/Lower	FP-6736-38-3400		.50MM
12	Rod Bearing Half Upper/Lower	FP-6736-37-3400		.75MM
12	Rod Bearing Half Upper/Lower	FP-6736-36-3400		1.00MM
QTY	LINERS	PART NO.	SIZE	DESCRIPTION
6	Liner w/o Sealing Ring	FP-6736-29-2110		
QTY	PISTON RINGS	PART NO.	SIZE	DESCRIPTION
6	Ring Set, Single Cylinder	FP-6731-31-2280		STD
QTY	PISTONS	PART NO.	SIZE	DESCRIPTION
6	Piston Pin	FP-6731-31-2410		
6	Piston Pin Bushing	FP-6732-31-3131		
12	Piston Pin Retainer	FP-6732-31-2420		
6	Piston With Retainers	FP-6733-31-2110		STD

ENGINE BLOCK & PARTS

QTY	CAM BEARINGS	PART NO.	SIZE	DESCRIPTION
1	Camshaft Bearing	FP-6736-29-1410		1; O/S
6	Camshaft Bearing	FP-6736-29-1420		2-3-4-5; O/S
1	Camshaft Bearing	FP-6732-21-1411		STD Wide
QTY	GASKET SETS	PART NO.	SIZE	DESCRIPTION
1	Conversion Gasket Set	FP-6735-01-1210		
QTY	GASKETS	PART NO.	SIZE	DESCRIPTION
1	Oil Pan Gasket	FP-6735-21-5661		Oil pan

FUEL SYSTEM & PARTS

QTY	FUEL INJECTION	PART NO.	SIZE	DESCRIPTION
6	Fuel Injector - New	FP-6733-11-3100		
6	Fuel Injector Nozzle	FP-6735-11-3160		

INT & EXH MANIFOLDS

QTY	INT. & EXH. MANIFOLDS	PART NO.	SIZE	DESCRIPTION
6	Exhaust Manifold Gasket	FP-6736-11-5810		
1	Intake Manifold Gasket	FP-6735-11-4812		

5.9L 359 OHV L6, 4.0197" Bore 66 Excavator

SA6D102E; Build Series 1C; Eng. Ser. No. 26200467-Up; Model PC220-6; Model Ser. No. 50001-Up
 SA6D102E; Build Series 1C; Eng. Ser. No. 26200467-Up; Model PC220-6Z; Model Ser. No. 50001-Up
 SA6D102E; Build Series 1C; Eng. Ser. No. 26200467-Up; Model PC220LC-6; Model Ser. No. 50001-Up
 SA6D102E; Build Series 1C; Eng. Ser. No. 26200467-Up; Model PC220LC-6Z; Model Ser. No. 50001-Up
 SA6D102E; Build Series 1C; Eng. Ser. No. 26200467-Up; Model PC230-6; Model Ser. No. 10001-Up
 SA6D102E; Build Series 1C; Eng. Ser. No. 26200467-Up; Model PC230LC-6; Model Ser. No. 10001-Up
 SA6D102E; Build Series 1C; Eng. Ser. No. 26200467-Up; Model PC250-6; Model Ser. No. 10001-Up
 SA6D102E; Build Series 1C; Eng. Ser. No. 26200467-Up; Model PC250HD-6Z; Model Ser. No. 10001-Up
 SA6D102E; Build Series 1C; Eng. Ser. No. 26200467-Up; Model PC250LC-6; Model Ser. No. 10001-Up

CAMSHAFT GROUP

QTY	CAMSHAFT/LIFTER	PART NO.	SIZE	DESCRIPTION
12	Lifter	FP-6732-41-2112		

(continued on next page)

66 5.9L 359 OHV L6, 4.0197" Bore				
(cont.)				
COOLING SYSTEM				
QTY	THERMOSTAT	PART NO.	SIZE	DESCRIPTION
1	O-Ring	FP-6732-61-6240		
1	Thermostat	FP-6732-61-1620		From Eng. Ser. No. 26200467 to 30707204
1	Thermostat	FP-6735-61-1690		Eng. Ser. No. 30707205-Up
QTY	WATER PUMP	PART NO.	SIZE	DESCRIPTION
1	Water Pump - Heavy Duty	FP-6736-61-1202		
CRANKSHAFT/OIL PUMP				
QTY	CRANKSHAFT	PART NO.	SIZE	DESCRIPTION
1	Crankshaft	FP-6735-01-1310		
QTY	MAIN BEARINGS	PART NO.	SIZE	DESCRIPTION
1	Main Bearing Set	FP-6735-21-8100	STD	
1	Main Bearing Set	FP-6736-29-8100	.25MM	
1	Main Bearing Set	FP-6736-28-8100	.50MM	
1	Main Bearing Set	FP-6736-27-8100	.75MM	
1	Main Bearing Set	FP-6736-26-8100	1.00MM	
1	Thrust Washer	FP-6731-21-8610	.50MM	
1	Thrust Washer	FP-6731-21-8620	1.00MM	
QTY	OIL PUMP	PART NO.	SIZE	DESCRIPTION
1	Oil Pump	FP-6731-51-1111		
QTY	SEALS - FRONT CRANK	PART NO.	SIZE	DESCRIPTION
1	Oil Seal	FP-6731-21-4220		
1	Oil Seal Kit	FP-6736-39-1221		
QTY	SEALS - REAR CRANK	PART NO.	SIZE	DESCRIPTION
1	Oil Seal	FP-6735-K2-3001		
1	Oil Seal	FP-6736-39-1130		Wet housing
1	Oil Seal Kit	FP-6736-39-1140		Dry housing
CYL. HEAD & PARTS				
QTY	GASKETS	PART NO.	SIZE	DESCRIPTION
1	Head Gasket	FP-6735-11-1821		
1	Head Gasket Set	FP-6731-11-9980		
6	Valve Cover Gasket	FP-6732-11-8181		
QTY	VALVE	PART NO.	SIZE	DESCRIPTION
24	Valve Keeper	FP-6732-41-4520		Int. & Exh.
6	Valve, Exhaust	FP-6736-41-4210		
6	Valve, Intake	FP-6736-41-4110		
QTY	VALVE GUIDE	PART NO.	SIZE	DESCRIPTION
12	Valve Guide	FP-6736-18-1310		Int. & Exh.; Thin wall
6	Valve Guide	FP-6736-19-1310		Int.; Thick wall, 60.50MM
6	Valve Guide	FP-6736-19-1410		Exh.; Thick wall, 51.75MM
QTY	VALVE SEAL	PART NO.	SIZE	DESCRIPTION
12	Valve Stem Seal	FP-6732-41-4540		Int. & Exh.
QTY	VALVE SEAT	PART NO.	SIZE	DESCRIPTION
6	Valve Seat	FP-6732-11-1170		Exh.
6	Valve Seat	FP-6732-11-1180		Int.
QTY	VALVE SPRING	PART NO.	SIZE	DESCRIPTION
12	Valve Spring	FP-6732-41-4430		
12	Valve Spring Seat	FP-6732-41-4510		Upper
CYLINDER COMPONENTS				
QTY	CONNECTING RODS & BRGS.	PART NO.	SIZE	DESCRIPTION
12	Rod Bearing Half Upper/Lower	FP-6732-31-3411	STD	
12	Rod Bearing Half Upper/Lower	FP-6736-39-3400	.25MM	
12	Rod Bearing Half Upper/Lower	FP-6736-38-3400	.50MM	
12	Rod Bearing Half Upper/Lower	FP-6736-37-3400	.75MM	
12	Rod Bearing Half Upper/Lower	FP-6736-36-3400	1.00MM	
QTY	LINERS	PART NO.	SIZE	DESCRIPTION
6	Liner w/o Sealing Ring	FP-6736-29-2110		
QTY	PISTON RINGS	PART NO.	SIZE	DESCRIPTION
6	Ring Set, Single Cylinder	FP-6738-31-2031	STD	
QTY	PISTONS	PART NO.	SIZE	DESCRIPTION
6	Piston Body w/o Pin	FP-6735-31-2111	STD	
6	Piston Pin	FP-6731-31-2410		

(continued on next page)

5.9L 359 OHV L6, 4.0197" Bore 66
(cont.)

CYLINDER COMPONENTS (cont.)

QTY	PISTONS (cont.)	PART NO.	SIZE	DESCRIPTION
6	Piston Pin Bushing	FP-6732-31-3131		
12	Piston Pin Retainer	FP-6732-31-2420		
6	Piston w/Retainer & Rings	FP-6735-31-2140	STD	

ENGINE BLOCK & PARTS

QTY	CAM BEARINGS	PART NO.	SIZE	DESCRIPTION
1	Camshaft Bearing	FP-6736-29-1410		1; O/S
1	Camshaft Bearing	FP-6736-29-1410		O/S
6	Camshaft Bearing	FP-6736-29-1420		2-3-4-5; O/S
1	Camshaft Bearing	FP-6732-21-1410	STD	Narrow
1	Camshaft Bearing	FP-6732-21-1411	STD	Wide

QTY	GASKET SETS	PART NO.	SIZE	DESCRIPTION
1	Conversion Gasket Set	FP-6735-01-1210		

QTY	GASKETS	PART NO.	SIZE	DESCRIPTION
1	Oil Pan Gasket	FP-6735-21-5661		Oil pan

FUEL SYSTEM & PARTS

QTY	FUEL INJECTION	PART NO.	SIZE	DESCRIPTION
6	Fuel Injector - New	FP-6732-11-3120		
6	Fuel Injector Nozzle	FP-6732-11-3140		

INT & EXH MANIFOLDS

QTY	INT. & EXH. MANIFOLDS	PART NO.	SIZE	DESCRIPTION
6	Exhaust Manifold Gasket	FP-6736-11-5810		
1	Intake Manifold Gasket	FP-6735-11-4812		

5.9L 359 OHV L6, 4.0197" Bore 67
Excavator

SA6D102E; Build Series 1; Eng. Ser. No. 21296537-Up; Model PC220LL-6; Model Ser. No. A83001-Up
SA6D102E; Build Series 1; Eng. Ser. No. 21296537-Up; Model PC250LC-6; Model Ser. No. A83001-Up

CAMSHAFT GROUP

QTY	CAMSHAFT/LIFTER	PART NO.	SIZE	DESCRIPTION
12	Lifter	FP-6732-41-2112		

COOLING SYSTEM

QTY	THERMOSTAT	PART NO.	SIZE	DESCRIPTION
1	O-Ring	FP-6732-61-6240		
1	Thermostat	FP-6732-61-1620		Eng. Ser. No. Up to 30707204
1	Thermostat	FP-6732-61-1620		Eng. Ser. No. Up to 30707204
1	Thermostat	FP-6735-61-1690		Eng. Ser. No. 30707205-Up

QTY	WATER PUMP	PART NO.	SIZE	DESCRIPTION
1	Water Pump - Heavy Duty	FP-6736-61-1202		

CRANKSHAFT/OIL PUMP

QTY	CRANKSHAFT	PART NO.	SIZE	DESCRIPTION
1	Crankshaft	FP-6735-01-1310		

QTY	MAIN BEARINGS	PART NO.	SIZE	DESCRIPTION
1	Main Bearing Set	FP-6735-21-8100	STD	
1	Main Bearing Set	FP-6736-29-8100	.25MM	
1	Main Bearing Set	FP-6736-28-8100	.50MM	
1	Main Bearing Set	FP-6736-27-8100	.75MM	
1	Main Bearing Set	FP-6736-26-8100	1.00MM	
1	Thrust Washer	FP-6731-21-8610	.50MM	
1	Thrust Washer	FP-6731-21-8620	1.00MM	

QTY	OIL PUMP	PART NO.	SIZE	DESCRIPTION
1	Oil Pump	FP-6731-51-1111		

QTY	SEALS - FRONT CRANK	PART NO.	SIZE	DESCRIPTION
1	Oil Seal	FP-6731-21-4220		
1	Oil Seal Kit	FP-6736-39-1221		

QTY	SEALS - REAR CRANK	PART NO.	SIZE	DESCRIPTION
1	Oil Seal	FP-6735-K2-3001		
1	Oil Seal	FP-6736-39-1130		Wet housing
1	Oil Seal Kit	FP-6736-39-1140		Dry housing

(continued on next page)

67 5.9L 359 OHV L6, 4.0197" Bore				
(cont.)				
CYL. HEAD & PARTS				
QTY	GASKETS	PART NO.	SIZE	DESCRIPTION
1	Head Gasket	FP-6735-11-1821		
1	Head Gasket Set	FP-6731-11-9980		
6	Valve Cover Gasket	FP-6732-11-8181		
QTY	VALVE	PART NO.	SIZE	DESCRIPTION
24	Valve Keeper	FP-6732-41-4520		Int. & Exh.
6	Valve, Exhaust	FP-6736-41-4210		
6	Valve, Intake	FP-6736-41-4110		
QTY	VALVE GUIDE	PART NO.	SIZE	DESCRIPTION
12	Valve Guide	FP-6736-18-1310		Int. & Exh.; Thin wall
6	Valve Guide	FP-6736-19-1310		Int.; Thick wall, 60.50MM
6	Valve Guide	FP-6736-19-1410		Exh.; Thick wall, 51.75MM
QTY	VALVE SEAL	PART NO.	SIZE	DESCRIPTION
12	Valve Stem Seal	FP-6732-41-4540		Int. & Exh.
QTY	VALVE SEAT	PART NO.	SIZE	DESCRIPTION
6	Valve Seat	FP-6732-11-1170		Exh.
6	Valve Seat	FP-6732-11-1180		Int.
QTY	VALVE SPRING	PART NO.	SIZE	DESCRIPTION
12	Valve Spring	FP-6732-41-4430		
12	Valve Spring Seat	FP-6732-41-4510		Upper
CYLINDER COMPONENTS				
QTY	CONNECTING RODS & BRGS.	PART NO.	SIZE	DESCRIPTION
12	Rod Bearing Half Upper/Lower	FP-6732-31-3411	STD	
12	Rod Bearing Half Upper/Lower	FP-6736-39-3400	.25MM	
12	Rod Bearing Half Upper/Lower	FP-6736-38-3400	.50MM	
12	Rod Bearing Half Upper/Lower	FP-6736-37-3400	.75MM	
12	Rod Bearing Half Upper/Lower	FP-6736-36-3400	1.00MM	
QTY	LINERS	PART NO.	SIZE	DESCRIPTION
6	Liner w/o Sealing Ring	FP-6736-29-2110		
QTY	PISTON RINGS	PART NO.	SIZE	DESCRIPTION
6	Ring Set, Single Cylinder	FP-6738-31-2031	STD	
QTY	PISTONS	PART NO.	SIZE	DESCRIPTION
6	Piston Body w/o Pin	FP-6735-31-2111	STD	
6	Piston Pin	FP-6731-31-2410		
6	Piston Pin Bushing	FP-6732-31-3131		
12	Piston Pin Retainer	FP-6732-31-2420		
6	Piston w/Retainer & Rings	FP-6735-31-2140	STD	
ENGINE BLOCK & PARTS				
QTY	CAM BEARINGS	PART NO.	SIZE	DESCRIPTION
1	Camshaft Bearing	FP-6736-29-1410		1; O/S
6	Camshaft Bearing	FP-6736-29-1420		2-3-4-5; O/S
1	Camshaft Bearing	FP-6732-21-1410	STD	Narrow
1	Camshaft Bearing	FP-6732-21-1411	STD	Wide
QTY	GASKET SETS	PART NO.	SIZE	DESCRIPTION
1	Conversion Gasket Set	FP-6735-01-1210		
QTY	GASKETS	PART NO.	SIZE	DESCRIPTION
1	Oil Pan Gasket	FP-6735-21-5661		Oil pan
FUEL SYSTEM & PARTS				
QTY	FUEL INJECTION	PART NO.	SIZE	DESCRIPTION
6	Fuel Injector - New	FP-6733-11-3100		
6	Fuel Injector Nozzle	FP-6735-11-3160		
INT & EXH MANIFOLDS				
QTY	INT. & EXH. MANIFOLDS	PART NO.	SIZE	DESCRIPTION
6	Exhaust Manifold Gasket	FP-6736-11-5810		
1	Intake Manifold Gasket	FP-6735-11-4812		

5.9L 359 OHV L6, 4.0197" Bore 68

Excavator

SA6D102E; Build Series 1; Eng. Ser. No. 21296537-Up; Model PC220LC-6; Model Ser. No. A83001-Up

CAMSHAFT GROUP				
QTY	CAMSHAFT/LIFTER	PART NO.	SIZE	DESCRIPTION
12	Lifter	FP-6732-41-2112		
COOLING SYSTEM				
QTY	THERMOSTAT	PART NO.	SIZE	DESCRIPTION
1	O-Ring	FP-6732-61-6240		
1	Thermostat	FP-6732-61-1620		Eng. Ser. No. Up to 30707204
1	Thermostat	FP-6735-61-1690		Eng. Ser. No. 30707205-Up
QTY	WATER PUMP	PART NO.	SIZE	DESCRIPTION
1	Water Pump - Heavy Duty	FP-6736-61-1202		
CRANKSHAFT/OIL PUMP				
QTY	CRANKSHAFT	PART NO.	SIZE	DESCRIPTION
1	Crankshaft	FP-6735-01-1310		
QTY	MAIN BEARINGS	PART NO.	SIZE	DESCRIPTION
1	Main Bearing Set	FP-6735-21-8100	STD	
1	Main Bearing Set	FP-6736-29-8100	.25MM	
1	Main Bearing Set	FP-6736-28-8100	.50MM	
1	Main Bearing Set	FP-6736-27-8100	.75MM	
1	Main Bearing Set	FP-6736-26-8100	1.00MM	
1	Thrust Washer	FP-6731-21-8610	.50MM	
1	Thrust Washer	FP-6731-21-8620	1.00MM	
QTY	OIL PUMP	PART NO.	SIZE	DESCRIPTION
1	Oil Pump	FP-6731-51-1111		
QTY	SEALS - FRONT CRANK	PART NO.	SIZE	DESCRIPTION
1	Oil Seal	FP-6731-21-4220		
1	Oil Seal Kit	FP-6736-39-1221		
QTY	SEALS - REAR CRANK	PART NO.	SIZE	DESCRIPTION
1	Oil Seal	FP-6735-K2-3001		
1	Oil Seal	FP-6736-39-1130		Wet housing
1	Oil Seal Kit	FP-6736-39-1140		Dry housing
CYL. HEAD & PARTS				
QTY	GASKETS	PART NO.	SIZE	DESCRIPTION
1	Head Gasket	FP-6735-11-1821		
1	Head Gasket Set	FP-6731-11-9980		
6	Valve Cover Gasket	FP-6732-11-8181		
QTY	VALVE	PART NO.	SIZE	DESCRIPTION
24	Valve Keeper	FP-6732-41-4520		Int. & Exh.
6	Valve, Exhaust	FP-6736-41-4210		
6	Valve, Intake	FP-6736-41-4110		
QTY	VALVE GUIDE	PART NO.	SIZE	DESCRIPTION
12	Valve Guide	FP-6736-18-1310		Int. & Exh.; Thin wall
6	Valve Guide	FP-6736-19-1310		Int.; Thick wall, 60.50MM
6	Valve Guide	FP-6736-19-1410		Exh.; Thick wall, 51.75MM
QTY	VALVE SEAL	PART NO.	SIZE	DESCRIPTION
12	Valve Stem Seal	FP-6732-41-4540		Int. & Exh.
QTY	VALVE SEAT	PART NO.	SIZE	DESCRIPTION
6	Valve Seat	FP-6732-11-1170		Exh.
6	Valve Seat	FP-6732-11-1180		Int.
QTY	VALVE SPRING	PART NO.	SIZE	DESCRIPTION
12	Valve Spring	FP-6732-41-4430		
12	Valve Spring Seat	FP-6732-41-4510		Upper
CYLINDER COMPONENTS				
QTY	CONNECTING RODS & BRGS.	PART NO.	SIZE	DESCRIPTION
12	Rod Bearing Half Upper/Lower	FP-6732-31-3411	STD	
12	Rod Bearing Half Upper/Lower	FP-6736-39-3400	.25MM	
12	Rod Bearing Half Upper/Lower	FP-6736-38-3400	.50MM	
12	Rod Bearing Half Upper/Lower	FP-6736-37-3400	.75MM	
12	Rod Bearing Half Upper/Lower	FP-6736-36-3400	1.00MM	
QTY	LINERS	PART NO.	SIZE	DESCRIPTION
6	Liner w/o Sealing Ring	FP-6736-29-2110		

(continued on next page)

68 5.9L 359 OHV L6, 4.0197" Bore

(cont.)

CYLINDER COMPONENTS (cont.)

QTY	PISTON RINGS	PART NO.	SIZE	DESCRIPTION
6	Ring Set, Single Cylinder	FP-6738-31-2031	STD	
QTY	PISTONS	PART NO.	SIZE	DESCRIPTION
6	Piston Body w/o Pin	FP-6735-31-2111	STD	
6	Piston Pin	FP-6731-31-2410		
6	Piston Pin Bushing	FP-6732-31-3131		
12	Piston Pin Retainer	FP-6732-31-2420		
6	Piston w/Retainer & Rings	FP-6735-31-2140	STD	

ENGINE BLOCK & PARTS

QTY	CAM BEARINGS	PART NO.	SIZE	DESCRIPTION
1	Camshaft Bearing	FP-6736-29-1410		1; O/S
6	Camshaft Bearing	FP-6736-29-1420		2-3-4-5; O/S
1	Camshaft Bearing	FP-6732-21-1410	STD	Narrow
1	Camshaft Bearing	FP-6732-21-1411	STD	Wide
QTY	GASKET SETS	PART NO.	SIZE	DESCRIPTION
1	Conversion Gasket Set	FP-6735-01-1210		
QTY	GASKETS	PART NO.	SIZE	DESCRIPTION
1	Oil Pan Gasket	FP-6735-21-5661		Oil pan

FUEL SYSTEM & PARTS

QTY	FUEL INJECTION	PART NO.	SIZE	DESCRIPTION
6	Fuel Injector - New	FP-6733-11-3100		

INT & EXH MANIFOLDS

QTY	INT. & EXH. MANIFOLDS	PART NO.	SIZE	DESCRIPTION
6	Exhaust Manifold Gasket	FP-6736-11-5810		
1	Intake Manifold Gasket	FP-6735-11-4812		

69 5.9L 359 OHV L6, 4.0197" Bore

Excavator

SAA6D102E; Build Series 2-PW; Eng. Ser. No. 21494941-Up; Model PW200-7K; Model Ser. No. K40001-Up
 SAA6D102E; Build Series 2A; Eng. Ser. No. 26274903-Up; Model PC228US-3-KU; Model Ser. No. 20001-Up
 SAA6D102E; Build Series 2A; Eng. Ser. No. 26274903-Up; Model PC228US-3-W1; Model Ser. No. 20001-Up
 SAA6D102E; Build Series 2A; Eng. Ser. No. 26474903-Up; Model PC228USLC-3; Model Ser. No. 20001-Up
 SAA6D102E; Build Series 2C-KU; Eng. Ser. No. 21494941-Up; Model PC210-7K; Model Ser. No. K40001-Up
 SAA6D102E; Build Series 2C-KU; Eng. Ser. No. 21494941-Up; Model PC210LC-7K; Model Ser. No. K40001-Up
 SAA6D102E; Build Series 2C-KU; Eng. Ser. No. 21494941-Up; Model PC210NLC-7K; Model Ser. No. K40001-Up
 SAA6D102E; Build Series 2C-KU; Eng. Ser. No. 21494941-Up; Model PC240LC-7K; Model Ser. No. K40001-Up
 SAA6D102E; Build Series 2C-KU; Eng. Ser. No. 21494941-Up; Model PC240NLC-7K; Model Ser. No. K40001-Up
 SAA6D102E; Build Series 2C-KU; Eng. Ser. No. 21494941-Up; Model PC290LC-7K; Model Ser. No. K40001-Up
 SAA6D102E; Build Series 2C; Eng. Ser. No. 26474903-Up; Model PC200-7-W1; Model Ser. No. 200001-Up
 SAA6D102E; Build Series 2C; Eng. Ser. No. 26474903-Up; Model PC200LC-7-US; Model Ser. No. 200001-Up
 SAA6D102E; Build Series 2C; Eng. Ser. No. 26474903-Up; Model PC200LC-7-W1; Model Ser. No. 200001-Up
 SAA6D102E; Build Series 2C; Eng. Ser. No. 26474903-Up; Model PC200LC-7B; Model Ser. No. C50001-Up
 SAA6D102E; Build Series 2C; Eng. Ser. No. 26474903-Up; Model PC200LC-7L; Model Ser. No. A86001-Up
 SAA6D102E; Build Series 2C; Eng. Ser. No. 26474903-Up; Model PC220-7-W1; Model Ser. No. 60001-Up
 SAA6D102E; Build Series 2C; Eng. Ser. No. 26474903-Up; Model PC220LC-7-W1; Model Ser. No. 60001-Up
 SAA6D102E; Build Series 2C; Eng. Ser. No. 26474903-Up; Model PC220LC-7; Model Ser. No. 60001-Up
 SAA6D102E; Build Series 2C; Eng. Ser. No. 26474903-Up; Model PC220LC-7L; Model Ser. No. A86001-Up
 SAA6D102E; Build Series 2C; Eng. Ser. No. 26474903-Up; Model PC270LC-7; Model Ser. No. A86001-Up
 SAA6D102E; Build Series 2C; Eng. Ser. No. 26474903-Up; Model PC270LC-7L; Model Ser. No. A86001-Up
 SAA6D102E; Build Series 2C; Eng. Ser. No. 26474903-Up; Model PC270LC-7MH; Model Ser. No. A86001-Up

CAMSHAFT GROUP

QTY	CAMSHAFT/LIFTER	PART NO.	SIZE	DESCRIPTION
12	Lifter	FP-6732-41-2112		

COOLING SYSTEM

QTY	THERMOSTAT	PART NO.	SIZE	DESCRIPTION
1	O-Ring	FP-6732-61-6240		
1	Thermostat	FP-6732-61-1620		
QTY	WATER PUMP	PART NO.	SIZE	DESCRIPTION
1	Water Pump - Heavy Duty	FP-6736-61-1202		

(continued on next page)

5.9L 359 OHV L6, 4.0197" Bore **69**
(cont.)

CRANKSHAFT/OIL PUMP				
QTY	CRANKSHAFT	PART NO.	SIZE	DESCRIPTION
1	Crankshaft	FP-6735-01-1310		
QTY	MAIN BEARINGS	PART NO.	SIZE	DESCRIPTION
1	Main Bearing Set	FP-6735-21-8100	STD	
1	Main Bearing Set	FP-6736-29-8100	.25MM	
1	Main Bearing Set	FP-6736-28-8100	.50MM	
1	Main Bearing Set	FP-6736-27-8100	.75MM	
1	Main Bearing Set	FP-6736-26-8100	1.00MM	
1	Thrust Washer	FP-6731-21-8610	.50MM	
1	Thrust Washer	FP-6731-21-8620	1.00MM	
QTY	OIL PUMP	PART NO.	SIZE	DESCRIPTION
1	Oil Pump	FP-6731-51-1111		
QTY	SEALS - FRONT CRANK	PART NO.	SIZE	DESCRIPTION
1	Oil Seal	FP-6731-21-4220		
1	Oil Seal Kit	FP-6736-39-1221		
QTY	SEALS - REAR CRANK	PART NO.	SIZE	DESCRIPTION
1	Oil Seal	FP-6735-K2-3001		
1	Oil Seal	FP-6736-39-1130		Wet housing
1	Oil Seal Kit	FP-6736-39-1140		Dry housing
CYL. HEAD & PARTS				
QTY	GASKETS	PART NO.	SIZE	DESCRIPTION
1	Head Gasket	FP-6735-11-1821		
1	Head Gasket Set	FP-6731-11-9980		
6	Valve Cover Gasket	FP-6732-11-8181		
QTY	VALVE	PART NO.	SIZE	DESCRIPTION
24	Valve Keeper	FP-6732-41-4520		Int. & Exh.
6	Valve, Exhaust	FP-6736-41-4210		
6	Valve, Intake	FP-6736-41-4110		
QTY	VALVE GUIDE	PART NO.	SIZE	DESCRIPTION
12	Valve Guide	FP-6736-18-1310		Int. & Exh.; Thin wall
6	Valve Guide	FP-6736-19-1310		Int.; Thick wall, 60.50MM
6	Valve Guide	FP-6736-19-1410		Exh.; Thick wall, 51.75MM
QTY	VALVE SEAL	PART NO.	SIZE	DESCRIPTION
12	Valve Stem Seal	FP-6732-41-4540		Int. & Exh.
QTY	VALVE SEAT	PART NO.	SIZE	DESCRIPTION
6	Valve Seat	FP-6732-11-1170		Exh.
6	Valve Seat	FP-6732-11-1180		Int.
QTY	VALVE SPRING	PART NO.	SIZE	DESCRIPTION
12	Valve Spring	FP-6732-41-4430		
12	Valve Spring Seat	FP-6732-41-4510		Upper
CYLINDER COMPONENTS				
QTY	CONNECTING RODS & BRGS.	PART NO.	SIZE	DESCRIPTION
12	Rod Bearing Half Upper/Lower	FP-6732-31-3411	STD	
12	Rod Bearing Half Upper/Lower	FP-6736-39-3400	.25MM	
12	Rod Bearing Half Upper/Lower	FP-6736-38-3400	.50MM	
12	Rod Bearing Half Upper/Lower	FP-6736-37-3400	.75MM	
12	Rod Bearing Half Upper/Lower	FP-6736-36-3400	1.00MM	
QTY	LINERS	PART NO.	SIZE	DESCRIPTION
6	Liner w/o Sealing Ring	FP-6736-29-2110		
QTY	PISTON RINGS	PART NO.	SIZE	DESCRIPTION
6	Ring Set, Single Cylinder	FP-6738-31-2031	STD	
QTY	PISTONS	PART NO.	SIZE	DESCRIPTION
6	Piston Body w/o Pin	FP-6738-31-2111		
6	Piston Kit w/Pin & Retainers	FP-6738-31-2140		
6	Piston Pin	FP-6732-31-2410		
6	Piston Pin Bushing	FP-6732-31-3131		
12	Piston Pin Retainer	FP-6732-31-2420		
ENGINE BLOCK & PARTS				
QTY	CAM BEARINGS	PART NO.	SIZE	DESCRIPTION
1	Camshaft Bearing	FP-6736-29-1410		1; O/S
6	Camshaft Bearing	FP-6736-29-1420		2-3-4-5; O/S

(continued on next page)

69 5.9L 359 OHV L6, 4.0197" Bore				
(cont.)				
ENGINE BLOCK & PARTS (cont.)				
QTY	CAM BEARINGS (cont.)	PART NO.	SIZE	DESCRIPTION
1	Camshaft Bearing	FP-6732-21-1411	STD	Wide
QTY	GASKET SETS	PART NO.	SIZE	DESCRIPTION
1	Conversion Gasket Set	FP-6735-01-1210		
QTY	GASKETS	PART NO.	SIZE	DESCRIPTION
1	Oil Pan Gasket	FP-6735-21-5661		
1	Oil Pan Gasket	FP-6735-21-5661		Oil pan
FUEL SYSTEM & PARTS				
QTY	FUEL INJECTION	PART NO.	SIZE	DESCRIPTION
6	Fuel Injector - New	FP-6738-11-3090		
6	Fuel Injector Nozzle	FP-6738-11-3120		
INT & EXH MANIFOLDS				
QTY	INT. & EXH. MANIFOLDS	PART NO.	SIZE	DESCRIPTION
6	Exhaust Manifold Gasket	FP-6736-11-5810		
1	Intake Manifold Gasket	FP-6735-11-4811		
70 5.9L 359 OHV L6, 4.0197" Bore				
Grader				
S6D102; Build Series 1; Model GD530A-1E; Model Ser. No. 201404-Up				
S6D102; Build Series 1; Model GD530A-2A; Model Ser. No. 202002-Up				
S6D102; Build Series 1; Model GD530A-2B; Model Ser. No. 202002-Up				
S6D102; Build Series 1; Model GD530A-2C; Model Ser. No. 202002-Up				
S6D102; Build Series 1; Model GD530AW-2A; Model Ser. No. 202002-Up				
S6D102; Build Series 1; Model GD530AW-2B; Model Ser. No. 202002-Up				
S6D102; Build Series 1; Model GD530AW-2C; Model Ser. No. 202002-Up				
CAMSHAFT GROUP				
QTY	CAMSHAFT/LIFTER	PART NO.	SIZE	DESCRIPTION
12	Lifter	FP-6732-41-2112		
COOLING SYSTEM				
QTY	THERMOSTAT	PART NO.	SIZE	DESCRIPTION
1	O-Ring	FP-6732-61-6240		
1	Thermostat	FP-6735-61-1690		
QTY	WATER PUMP	PART NO.	SIZE	DESCRIPTION
1	Water Pump - Heavy Duty	FP-6736-61-1202		
CRANKSHAFT/OIL PUMP				
QTY	CRANKSHAFT	PART NO.	SIZE	DESCRIPTION
1	Crankshaft	FP-6735-01-1310		
QTY	MAIN BEARINGS	PART NO.	SIZE	DESCRIPTION
1	Main Bearing Set	FP-6735-21-8100	STD	
1	Main Bearing Set	FP-6736-29-8100	.25MM	
1	Main Bearing Set	FP-6736-28-8100	.50MM	
1	Main Bearing Set	FP-6736-27-8100	.75MM	
1	Main Bearing Set	FP-6736-26-8100	1.00MM	
1	Thrust Washer	FP-6731-21-8610	.50MM	
1	Thrust Washer	FP-6731-21-8620	1.00MM	
QTY	OIL PUMP	PART NO.	SIZE	DESCRIPTION
1	Oil Pump	FP-6731-51-1111		
QTY	SEALS - FRONT CRANK	PART NO.	SIZE	DESCRIPTION
1	Oil Seal	FP-6731-21-4220		
1	Oil Seal Kit	FP-6736-39-1221		
QTY	SEALS - REAR CRANK	PART NO.	SIZE	DESCRIPTION
1	Oil Seal	FP-6735-K2-3001		
1	Oil Seal	FP-6736-39-1130		Wet housing
1	Oil Seal Kit	FP-6736-39-1140		Dry housing
CYL. HEAD & PARTS				
QTY	GASKETS	PART NO.	SIZE	DESCRIPTION
1	Head Gasket	FP-6735-11-1821		
1	Head Gasket Set	FP-6731-11-9980		
6	Valve Cover Gasket	FP-6732-11-8181		

(continued on next page)

5.9L 359 OHV L6, 4.0197" Bore 70
(cont.)

CYL. HEAD & PARTS (cont.)

QTY	VALVE	PART NO.	SIZE	DESCRIPTION
24	Valve Keeper	FP-6732-41-4520		Int. & Exh.
6	Valve, Exhaust	FP-6736-41-4210		
6	Valve, Intake	FP-6736-41-4110		
QTY	VALVE GUIDE	PART NO.	SIZE	DESCRIPTION
12	Valve Guide	FP-6736-18-1310		Int. & Exh.; Thin wall
6	Valve Guide	FP-6736-19-1310		Int.; Thick wall, 60.50MM
6	Valve Guide	FP-6736-19-1410		Exh.; Thick wall, 51.75MM
QTY	VALVE SEAL	PART NO.	SIZE	DESCRIPTION
12	Valve Stem Seal	FP-6732-41-4540		Int. & Exh.
QTY	VALVE SEAT	PART NO.	SIZE	DESCRIPTION
6	Valve Seat	FP-6732-11-1170		Exh.
6	Valve Seat	FP-6732-11-1180		Int.
QTY	VALVE SPRING	PART NO.	SIZE	DESCRIPTION
12	Valve Spring	FP-6732-41-4430		Upper
12	Valve Spring Seat	FP-6732-41-4510		

CYLINDER COMPONENTS

QTY	CONNECTING RODS & BRGS.	PART NO.	SIZE	DESCRIPTION
12	Rod Bearing Half Upper/Lower	FP-6732-31-3411	STD	
12	Rod Bearing Half Upper/Lower	FP-6736-39-3400	.25MM	
12	Rod Bearing Half Upper/Lower	FP-6736-38-3400	.50MM	
12	Rod Bearing Half Upper/Lower	FP-6736-37-3400	.75MM	
12	Rod Bearing Half Upper/Lower	FP-6736-36-3400	1.00MM	
12	Rod Bearing Half Upper/Lower	FP-6736-36-3400	1.00MM	
QTY	LINERS	PART NO.	SIZE	DESCRIPTION
6	Liner w/o Sealing Ring	FP-6736-29-2110		
QTY	PISTON RINGS	PART NO.	SIZE	DESCRIPTION
6	Ring Set, Single Cylinder	FP-6736-31-2030	STD	
QTY	PISTONS	PART NO.	SIZE	DESCRIPTION
6	Piston Kit w/Pin & Retainers	FP-6735-01-3110		
6	Piston Pin	FP-6736-31-2430		
6	Piston Pin Bushing	FP-6732-31-3131		
12	Piston Pin Retainer	FP-6736-31-2510		

ENGINE BLOCK & PARTS

QTY	CAM BEARINGS	PART NO.	SIZE	DESCRIPTION
1	Camshaft Bearing	FP-6736-29-1410		1; O/S
6	Camshaft Bearing	FP-6736-29-1420		2-3-4-5; O/S
1	Camshaft Bearing	FP-6732-21-1410	STD	Narrow
QTY	GASKET SETS	PART NO.	SIZE	DESCRIPTION
1	Conversion Gasket Set	FP-6735-01-1210		
QTY	GASKETS	PART NO.	SIZE	DESCRIPTION
1	Oil Pan Gasket	FP-6735-21-5661		Oil pan

FUEL SYSTEM & PARTS

QTY	FUEL INJECTION	PART NO.	SIZE	DESCRIPTION
6	Fuel Injector - New	FP-6736-11-3100		
6	Fuel Injector Nozzle	FP-6731-11-3150		

INT & EXH MANIFOLDS

QTY	INT. & EXH. MANIFOLDS	PART NO.	SIZE	DESCRIPTION
6	Exhaust Manifold Gasket	FP-6736-11-5810		
1	Intake Manifold Gasket	FP-6735-11-4812		

5.9L 359 OHV L6, 4.0197" Bore 71
Grader

S6D102E; Build Series 1; Model GD530A-1; From Model Ser. No. 200840 to 201999
S6D102E; Build Series 1; Model GD530AW-1; From Model Ser. No. 200840 to 201999

CAMSHAFT GROUP

QTY	CAMSHAFT/LIFTER	PART NO.	SIZE	DESCRIPTION
12	Lifter	FP-6732-41-2112		

(continued on next page)

71 5.9L 359 OHV L6, 4.0197" Bore				
(cont.)				
COOLING SYSTEM				
QTY	THERMOSTAT	PART NO.	SIZE	DESCRIPTION
1	O-Ring	FP-6732-61-6240		
1	Thermostat	FP-6735-61-1690		
QTY	WATER PUMP	PART NO.	SIZE	DESCRIPTION
1	Water Pump - Heavy Duty	FP-6736-61-1202		
CRANKSHAFT/OIL PUMP				
QTY	CRANKSHAFT	PART NO.	SIZE	DESCRIPTION
1	Crankshaft	FP-6735-01-1310		
QTY	MAIN BEARINGS	PART NO.	SIZE	DESCRIPTION
1	Main Bearing Set	FP-6735-21-8100		STD
1	Main Bearing Set	FP-6736-29-8100		.25MM
1	Main Bearing Set	FP-6736-28-8100		.50MM
1	Main Bearing Set	FP-6736-27-8100		.75MM
1	Main Bearing Set	FP-6736-26-8100		1.00MM
1	Thrust Washer	FP-6731-21-8610		.50MM
1	Thrust Washer	FP-6731-21-8620		1.00MM
QTY	OIL PUMP	PART NO.	SIZE	DESCRIPTION
1	Oil Pump	FP-6731-51-1111		
QTY	SEALS - FRONT CRANK	PART NO.	SIZE	DESCRIPTION
1	Oil Seal	FP-6731-21-4220		
1	Oil Seal Kit	FP-6736-39-1221		
QTY	SEALS - REAR CRANK	PART NO.	SIZE	DESCRIPTION
1	Oil Seal	FP-6735-K2-3001		
1	Oil Seal	FP-6736-39-1130		Wet housing
1	Oil Seal Kit	FP-6736-39-1140		Dry housing
CYL. HEAD & PARTS				
QTY	GASKETS	PART NO.	SIZE	DESCRIPTION
1	Head Gasket	FP-6735-11-1821		
1	Head Gasket Set	FP-6731-11-9980		
6	Valve Cover Gasket	FP-6732-11-8181		
QTY	VALVE	PART NO.	SIZE	DESCRIPTION
24	Valve Keeper	FP-6732-41-4520		Int. & Exh.
6	Valve, Exhaust	FP-6736-41-4210		
6	Valve, Intake	FP-6736-41-4110		
QTY	VALVE GUIDE	PART NO.	SIZE	DESCRIPTION
12	Valve Guide	FP-6736-18-1310		Int. & Exh.; Thin wall
6	Valve Guide	FP-6736-19-1310		Int.; Thick wall, 60.50MM
6	Valve Guide	FP-6736-19-1410		Exh.; Thick wall, 51.75MM
QTY	VALVE SEAL	PART NO.	SIZE	DESCRIPTION
12	Valve Stem Seal	FP-6732-41-4540		Int. & Exh.
QTY	VALVE SEAT	PART NO.	SIZE	DESCRIPTION
6	Valve Seat	FP-6732-11-1170		Exh.
6	Valve Seat	FP-6732-11-1180		Int.
QTY	VALVE SPRING	PART NO.	SIZE	DESCRIPTION
12	Valve Spring	FP-6732-41-4430		
12	Valve Spring Seat	FP-6732-41-4510		Upper
CYLINDER COMPONENTS				
QTY	CONNECTING RODS & BRGS.	PART NO.	SIZE	DESCRIPTION
12	Rod Bearing Half Upper/Lower	FP-6732-31-3411		STD
12	Rod Bearing Half Upper/Lower	FP-6736-39-3400		.25MM
12	Rod Bearing Half Upper/Lower	FP-6736-38-3400		.50MM
12	Rod Bearing Half Upper/Lower	FP-6736-37-3400		.75MM
12	Rod Bearing Half Upper/Lower	FP-6736-36-3400		1.00MM
QTY	LINERS	PART NO.	SIZE	DESCRIPTION
6	Liner w/o Sealing Ring	FP-6736-29-2110		
QTY	PISTON RINGS	PART NO.	SIZE	DESCRIPTION
6	Ring Set, Single Cylinder	FP-6736-31-2030		STD
QTY	PISTONS	PART NO.	SIZE	DESCRIPTION
6	Piston Kit w/Pin & Retainers	FP-6735-01-3110		
6	Piston Pin	FP-6736-31-2430		
6	Piston Pin Bushing	FP-6732-31-3131		

(continued on next page)

5.9L 359 OHV L6, 4.0197" Bore **71** (cont.)

CYLINDER COMPONENTS (cont.)

QTY	PISTONS (cont.)	PART NO.	SIZE	DESCRIPTION
12	Piston Pin Retainer	FP-6736-31-2510		

ENGINE BLOCK & PARTS

QTY	CAM BEARINGS	PART NO.	SIZE	DESCRIPTION
1	Camshaft Bearing	FP-6736-29-1410		1; O/S
6	Camshaft Bearing	FP-6736-29-1420		2-3-4-5; O/S
1	Camshaft Bearing	FP-6732-21-1410	STD	Narrow

QTY	GASKET SETS	PART NO.	SIZE	DESCRIPTION
1	Conversion Gasket Set	FP-6735-01-1210		

QTY	GASKETS	PART NO.	SIZE	DESCRIPTION
1	Oil Pan Gasket	FP-6735-21-5661		Oil pan

FUEL SYSTEM & PARTS

QTY	FUEL INJECTION	PART NO.	SIZE	DESCRIPTION
6	Fuel Injector - New	FP-6736-11-3100		
6	Fuel Injector Nozzle	FP-6731-11-3150		

INT & EXH MANIFOLDS

QTY	INT. & EXH. MANIFOLDS	PART NO.	SIZE	DESCRIPTION
6	Exhaust Manifold Gasket	FP-6736-11-5810		
1	Intake Manifold Gasket	FP-6735-11-4812		

5.9L 359 OHV L6, 4.0197" Bore **72** Grader

S6D102E; Build Series 1T; Eng. Ser. No. 26200929-Up; Model GD521A-1E; Model Ser. No. 12001-Up

CAMSHAFT GROUP

QTY	CAMSHAFT/LIFTER	PART NO.	SIZE	DESCRIPTION
12	Lifter	FP-6732-41-2112		

COOLING SYSTEM

QTY	THERMOSTAT	PART NO.	SIZE	DESCRIPTION
1	O-Ring	FP-6732-61-6240		
1	Thermostat	FP-6732-61-1620		From Eng. Ser. No. 26200929 to 30707204
1	Thermostat	FP-6735-61-1690		Eng. Ser. No. 30707205-Up

QTY	WATER PUMP	PART NO.	SIZE	DESCRIPTION
1	Water Pump - Heavy Duty	FP-6736-61-1202		

CRANKSHAFT/OIL PUMP

QTY	CRANKSHAFT	PART NO.	SIZE	DESCRIPTION
1	Crankshaft	FP-6735-01-1310		

QTY	MAIN BEARINGS	PART NO.	SIZE	DESCRIPTION
1	Main Bearing Set	FP-6735-21-8100	STD	
1	Main Bearing Set	FP-6736-29-8100	.25MM	
1	Main Bearing Set	FP-6736-28-8100	.50MM	
1	Main Bearing Set	FP-6736-27-8100	.75MM	
1	Main Bearing Set	FP-6736-26-8100	1.00MM	
1	Thrust Washer	FP-6731-21-8610	.50MM	
1	Thrust Washer	FP-6731-21-8620	1.00MM	

QTY	OIL PUMP	PART NO.	SIZE	DESCRIPTION
1	Oil Pump	FP-6731-51-1111		

QTY	SEALS - FRONT CRANK	PART NO.	SIZE	DESCRIPTION
1	Oil Seal	FP-6731-21-4220		
1	Oil Seal Kit	FP-6736-39-1221		

QTY	SEALS - REAR CRANK	PART NO.	SIZE	DESCRIPTION
1	Oil Seal	FP-6735-K2-3001		
1	Oil Seal	FP-6736-39-1130		Wet housing
1	Oil Seal Kit	FP-6736-39-1140		Dry housing

CYL. HEAD & PARTS

QTY	GASKETS	PART NO.	SIZE	DESCRIPTION
1	Head Gasket	FP-6735-11-1821		
1	Head Gasket Set	FP-6731-11-9980		
6	Valve Cover Gasket	FP-6732-11-8181		

QTY	VALVE	PART NO.	SIZE	DESCRIPTION
24	Valve Keeper	FP-6732-41-4520		Int. & Exh.

(continued on next page)

72 5.9L 359 OHV L6, 4.0197" Bore (cont.)

CYL. HEAD & PARTS (cont.)

QTY	VALVE (cont.)	PART NO.	SIZE	DESCRIPTION
6	Valve, Exhaust	FP-6736-41-4210		
6	Valve, Intake	FP-6736-41-4110		
QTY	VALVE GUIDE	PART NO.	SIZE	DESCRIPTION
12	Valve Guide	FP-6736-18-1310		Int. & Exh.; Thin wall
6	Valve Guide	FP-6736-19-1310		Int.; Thick wall, 60.50MM
6	Valve Guide	FP-6736-19-1410		Exh.; Thick wall, 51.75MM
QTY	VALVE SEAL	PART NO.	SIZE	DESCRIPTION
12	Valve Stem Seal	FP-6732-41-4540		Int. & Exh.
QTY	VALVE SEAT	PART NO.	SIZE	DESCRIPTION
6	Valve Seat	FP-6732-11-1170		Exh.
6	Valve Seat	FP-6732-11-1180		Int.
QTY	VALVE SPRING	PART NO.	SIZE	DESCRIPTION
12	Valve Spring	FP-6732-41-4430		
12	Valve Spring Seat	FP-6732-41-4510		Upper

CYLINDER COMPONENTS

QTY	CONNECTING RODS & BRGS.	PART NO.	SIZE	DESCRIPTION
12	Rod Bearing Half Upper/Lower	FP-6732-31-3411	STD	
12	Rod Bearing Half Upper/Lower	FP-6736-39-3400	.25MM	
12	Rod Bearing Half Upper/Lower	FP-6736-38-3400	.50MM	
12	Rod Bearing Half Upper/Lower	FP-6736-37-3400	.75MM	
12	Rod Bearing Half Upper/Lower	FP-6736-36-3400	1.00MM	
QTY	LINERS	PART NO.	SIZE	DESCRIPTION
6	Liner w/o Sealing Ring	FP-6736-29-2110		
QTY	PISTON RINGS	PART NO.	SIZE	DESCRIPTION
6	Ring Set, Single Cylinder	FP-6738-31-2031	STD	
QTY	PISTONS	PART NO.	SIZE	DESCRIPTION
6	Piston Body w/o Pin	FP-6735-31-2111	STD	
6	Piston Pin	FP-6731-31-2410		
6	Piston Pin Bushing	FP-6732-31-3131		
12	Piston Pin Retainer	FP-6732-31-2420		
6	Piston w/Retainer & Rings	FP-6735-31-2140	STD	

ENGINE BLOCK & PARTS

QTY	CAM BEARINGS	PART NO.	SIZE	DESCRIPTION
1	Camshaft Bearing	FP-6736-29-1410		1; O/S
6	Camshaft Bearing	FP-6736-29-1420		2-3-4-5; O/S
1	Camshaft Bearing	FP-6732-21-1410	STD	Narrow
1	Camshaft Bearing	FP-6732-21-1411	STD	Wide
QTY	GASKET SETS	PART NO.	SIZE	DESCRIPTION
1	Conversion Gasket Set	FP-6735-01-1210		
QTY	GASKETS	PART NO.	SIZE	DESCRIPTION
1	Oil Pan Gasket	FP-6735-21-5661		Oil pan

FUEL SYSTEM & PARTS

QTY	FUEL INJECTION	PART NO.	SIZE	DESCRIPTION
6	Fuel Injector - New	FP-6732-11-3120		
6	Fuel Injector Nozzle	FP-6732-11-3140		

INT & EXH MANIFOLDS

QTY	INT. & EXH. MANIFOLDS	PART NO.	SIZE	DESCRIPTION
6	Exhaust Manifold Gasket	FP-6736-11-5810		
1	Intake Manifold Gasket	FP-6735-11-4812		

73 5.9L 359 OHV L6, 4.0197" Bore Grader

S6D102E; Build Series 1; Eng. Ser. No. 21295204-Up; Model GD530A-2B; Model Ser. No. 203163-Up
 S6D102E; Build Series 1; Eng. Ser. No. 21295204-Up; Model GD530A-2C; Model Ser. No. 203163-Up
 S6D102E; Build Series 1; Eng. Ser. No. 21295204-Up; Model GD530AW-2B; Model Ser. No. 203163-Up
 S6D102E; Build Series 1; Eng. Ser. No. 21295204-Up; Model GD530AW-2C; Model Ser. No. 203163-Up

CAMSHAFT GROUP

QTY	CAMSHAFT/LIFTER	PART NO.	SIZE	DESCRIPTION
12	Lifter	FP-6732-41-2112		

(continued on next page)

5.9L 359 OHV L6, 4.0197" Bore **73**
(cont.)

COOLING SYSTEM

QTY	THERMOSTAT	PART NO.	SIZE	DESCRIPTION
1	O-Ring	FP-6732-61-6240		
1	Thermostat	FP-6732-61-1620		Eng. Ser. No. Up to 30707204
1	Thermostat	FP-6735-61-1690		Eng. Ser. No. 30707205-Up

QTY	WATER PUMP	PART NO.	SIZE	DESCRIPTION
1	Water Pump - Heavy Duty	FP-6736-61-1202		

CRANKSHAFT/OIL PUMP

QTY	CRANKSHAFT	PART NO.	SIZE	DESCRIPTION
1	Crankshaft	FP-6735-01-1310		

QTY	MAIN BEARINGS	PART NO.	SIZE	DESCRIPTION
1	Main Bearing Set	FP-6735-21-8100	STD	
1	Main Bearing Set	FP-6736-29-8100	.25MM	
1	Main Bearing Set	FP-6736-28-8100	.50MM	
1	Main Bearing Set	FP-6736-27-8100	.75MM	
1	Main Bearing Set	FP-6736-26-8100	1.00MM	
1	Thrust Washer	FP-6731-21-8610	.50MM	
1	Thrust Washer	FP-6731-21-8620	1.00MM	

QTY	OIL PUMP	PART NO.	SIZE	DESCRIPTION
1	Oil Pump	FP-6731-51-1111		

QTY	SEALS - FRONT CRANK	PART NO.	SIZE	DESCRIPTION
1	Oil Seal	FP-6731-21-4220		
1	Oil Seal Kit	FP-6736-39-1221		

QTY	SEALS - REAR CRANK	PART NO.	SIZE	DESCRIPTION
1	Oil Seal	FP-6735-K2-3001		
1	Oil Seal	FP-6736-39-1130		Wet housing
1	Oil Seal Kit	FP-6736-39-1140		Dry housing

CYL. HEAD & PARTS

QTY	GASKETS	PART NO.	SIZE	DESCRIPTION
1	Head Gasket	FP-6735-11-1821		
1	Head Gasket Set	FP-6731-11-9980		
6	Valve Cover Gasket	FP-6732-11-8181		

QTY	VALVE	PART NO.	SIZE	DESCRIPTION
24	Valve Keeper	FP-6732-41-4520		Int. & Exh.
6	Valve, Exhaust	FP-6736-41-4210		
6	Valve, Intake	FP-6736-41-4110		

QTY	VALVE GUIDE	PART NO.	SIZE	DESCRIPTION
12	Valve Guide	FP-6736-18-1310		Int. & Exh.; Thin wall
6	Valve Guide	FP-6736-19-1310		Int.; Thick wall, 60.50MM
6	Valve Guide	FP-6736-19-1410		Exh.; Thick wall, 51.75MM

QTY	VALVE SEAL	PART NO.	SIZE	DESCRIPTION
12	Valve Stem Seal	FP-6732-41-4540		Int. & Exh.

QTY	VALVE SEAT	PART NO.	SIZE	DESCRIPTION
6	Valve Seat	FP-6732-11-1170		Exh.
6	Valve Seat	FP-6732-11-1180		Int.

QTY	VALVE SPRING	PART NO.	SIZE	DESCRIPTION
12	Valve Spring	FP-6732-41-4430		
12	Valve Spring Seat	FP-6732-41-4510		Upper

CYLINDER COMPONENTS

QTY	CONNECTING RODS & BRGS.	PART NO.	SIZE	DESCRIPTION
12	Rod Bearing Half Upper/Lower	FP-6732-31-3411	STD	
12	Rod Bearing Half Upper/Lower	FP-6736-39-3400	.25MM	
12	Rod Bearing Half Upper/Lower	FP-6736-38-3400	.50MM	
12	Rod Bearing Half Upper/Lower	FP-6736-37-3400	.75MM	
12	Rod Bearing Half Upper/Lower	FP-6736-36-3400	1.00MM	

QTY	LINERS	PART NO.	SIZE	DESCRIPTION
6	Liner w/o Sealing Ring	FP-6736-29-2110		

QTY	PISTON RINGS	PART NO.	SIZE	DESCRIPTION
6	Ring Set, Single Cylinder	FP-6738-31-2031	STD	

QTY	PISTONS	PART NO.	SIZE	DESCRIPTION
6	Piston Body w/o Pin	FP-6735-31-2111	STD	
6	Piston Pin	FP-6731-31-2410		

(continued on next page)

73 5.9L 359 OHV L6, 4.0197" Bore				
(cont.)				
CYLINDER COMPONENTS (cont.)				
QTY	PISTONS (cont.)	PART NO.	SIZE	DESCRIPTION
6	Piston Pin Bushing	FP-6732-31-3131		
12	Piston Pin Retainer	FP-6732-31-2420		
6	Piston w/Retainer & Rings	FP-6735-31-2140	STD	
ENGINE BLOCK & PARTS				
QTY	CAM BEARINGS	PART NO.	SIZE	DESCRIPTION
1	Camshaft Bearing	FP-6736-29-1410		1; O/S
6	Camshaft Bearing	FP-6736-29-1420		2-3-4-5; O/S
1	Camshaft Bearing	FP-6732-21-1410	STD	Narrow
1	Camshaft Bearing	FP-6732-21-1411	STD	Wide
QTY	GASKET SETS	PART NO.	SIZE	DESCRIPTION
1	Conversion Gasket Set	FP-6735-01-1210		
QTY	GASKETS	PART NO.	SIZE	DESCRIPTION
1	Oil Pan Gasket	FP-6735-21-5661		Oil pan
FUEL SYSTEM & PARTS				
QTY	FUEL INJECTION	PART NO.	SIZE	DESCRIPTION
6	Fuel Injector - New	FP-6733-11-3100		
6	Fuel Injector Nozzle	FP-6735-11-3160		
INT & EXH MANIFOLDS				
QTY	INT. & EXH. MANIFOLDS	PART NO.	SIZE	DESCRIPTION
6	Exhaust Manifold Gasket	FP-6736-11-5810		
1	Intake Manifold Gasket	FP-6735-11-4812		
74 5.9L 359 OHV L6, 4.0197" Bore				
Grader				
SA6D102E; Build Series 1-GD; Eng. Ser. No. 46018290-Up; Model GD555-3A; Model Ser. No. 10001-Up				
SA6D102E; Build Series 1-GD; Eng. Ser. No. 46018290-Up; Model GD555-3C; Model Ser. No. 10001-Up				
CAMSHAFT GROUP				
QTY	CAMSHAFT/LIFTER	PART NO.	SIZE	DESCRIPTION
12	Lifter	FP-6732-41-2112		
COOLING SYSTEM				
QTY	THERMOSTAT	PART NO.	SIZE	DESCRIPTION
1	O-Ring	FP-6732-61-6240		
1	Thermostat	FP-6732-61-1620		
QTY	WATER PUMP	PART NO.	SIZE	DESCRIPTION
1	Water Pump - Heavy Duty	FP-6736-61-1402		
CRANKSHAFT/OIL PUMP				
QTY	CRANKSHAFT	PART NO.	SIZE	DESCRIPTION
1	Crankshaft	FP-6735-01-1310		
QTY	MAIN BEARINGS	PART NO.	SIZE	DESCRIPTION
1	Main Bearing Set	FP-6735-21-8100	STD	
1	Main Bearing Set	FP-6736-29-8100	.25MM	
1	Main Bearing Set	FP-6736-28-8100	.50MM	
1	Main Bearing Set	FP-6736-27-8100	.75MM	
1	Main Bearing Set	FP-6736-26-8100	1.00MM	
1	Thrust Washer	FP-6731-21-8610	.50MM	
1	Thrust Washer	FP-6731-21-8620	1.00MM	
QTY	OIL PUMP	PART NO.	SIZE	DESCRIPTION
1	Oil Pump	FP-6731-51-1111		
QTY	SEALS - FRONT CRANK	PART NO.	SIZE	DESCRIPTION
1	Oil Seal	FP-6731-21-4220		
1	Oil Seal Kit	FP-6736-39-1221		
QTY	SEALS - REAR CRANK	PART NO.	SIZE	DESCRIPTION
1	Oil Seal	FP-6735-K2-3001		
1	Oil Seal	FP-6736-39-1130		Wet housing
1	Oil Seal Kit	FP-6736-39-1140		Dry housing
CYL. HEAD & PARTS				
QTY	GASKETS	PART NO.	SIZE	DESCRIPTION
1	Head Gasket	FP-6735-11-1821		
1	Head Gasket Set	FP-6731-11-9980		

(continued on next page)

5.9L 359 OHV L6, 4.0197" Bore 74
(cont.)

CYL. HEAD & PARTS (cont.)

QTY	GASKETS (cont.)	PART NO.	SIZE	DESCRIPTION
6	Valve Cover Gasket	FP-6732-11-8181		
QTY	VALVE	PART NO.	SIZE	DESCRIPTION
24	Valve Keeper	FP-6732-41-4520		Int. & Exh.
6	Valve, Exhaust	FP-6736-41-4210		
6	Valve, Intake	FP-6736-41-4110		
QTY	VALVE GUIDE	PART NO.	SIZE	DESCRIPTION
12	Valve Guide	FP-6736-18-1310		Int. & Exh.; Thin wall
6	Valve Guide	FP-6736-19-1310		Int.; Thick wall, 60.50MM
6	Valve Guide	FP-6736-19-1410		Exh.; Thick wall, 51.75MM
QTY	VALVE SEAL	PART NO.	SIZE	DESCRIPTION
12	Valve Stem Seal	FP-6732-41-4540		Int. & Exh.
QTY	VALVE SEAT	PART NO.	SIZE	DESCRIPTION
6	Valve Seat	FP-6732-11-1170		Exh.
6	Valve Seat	FP-6732-11-1180		Int.
QTY	VALVE SPRING	PART NO.	SIZE	DESCRIPTION
12	Valve Spring	FP-6732-41-4430		
12	Valve Spring Seat	FP-6732-41-4510		Upper

CYLINDER COMPONENTS

QTY	CONNECTING RODS & BRGS.	PART NO.	SIZE	DESCRIPTION
12	Rod Bearing Half Upper/Lower	FP-6732-31-3411	STD	
12	Rod Bearing Half Upper/Lower	FP-6736-39-3400	.25MM	
12	Rod Bearing Half Upper/Lower	FP-6736-38-3400	.50MM	
12	Rod Bearing Half Upper/Lower	FP-6736-37-3400	.75MM	
12	Rod Bearing Half Upper/Lower	FP-6736-36-3400	1.00MM	
QTY	LINERS	PART NO.	SIZE	DESCRIPTION
6	Liner w/o Sealing Ring	FP-6736-29-2110		
QTY	PISTON RINGS	PART NO.	SIZE	DESCRIPTION
6	Ring Set, Single Cylinder	FP-6731-31-2280	STD	
QTY	PISTONS	PART NO.	SIZE	DESCRIPTION
6	Piston Pin	FP-6731-31-2410		
6	Piston Pin Bushing	FP-6732-31-3131		
12	Piston Pin Retainer	FP-6732-31-2420		
6	Piston With Retainers	FP-6733-31-2110	STD	

ENGINE BLOCK & PARTS

QTY	CAM BEARINGS	PART NO.	SIZE	DESCRIPTION
1	Camshaft Bearing	FP-6736-29-1410		1; O/S
6	Camshaft Bearing	FP-6736-29-1420		2-3-4-5; O/S
1	Camshaft Bearing	FP-6732-21-1411	STD	Wide
QTY	GASKET SETS	PART NO.	SIZE	DESCRIPTION
1	Conversion Gasket Set	FP-6735-01-1210		
QTY	GASKETS	PART NO.	SIZE	DESCRIPTION
1	Oil Pan Gasket	FP-6735-21-5661		Oil pan

FUEL SYSTEM & PARTS

QTY	FUEL INJECTION	PART NO.	SIZE	DESCRIPTION
6	Fuel Injector - New	FP-6731-11-3130		
6	Fuel Injector Nozzle	FP-6735-11-3160		

INT & EXH MANIFOLDS

QTY	INT. & EXH. MANIFOLDS	PART NO.	SIZE	DESCRIPTION
6	Exhaust Manifold Gasket	FP-6736-11-5810		
1	Intake Manifold Gasket	FP-6735-11-4812		

5.9L 359 OHV L6, 4.0197" Bore 75

Wheel Loader

S6D102; Build Series 1; Model WA180-1LC; Model Ser. No. A75001-Up
S6D102; Build Series 1; Model WA250-1LC; Model Ser. No. A65001-Up

CAMSHAFT GROUP

QTY	CAMSHAFT/LIFTER	PART NO.	SIZE	DESCRIPTION
12	Lifter	FP-6732-41-2112		

(continued on next page)

75 5.9L 359 OHV L6, 4.0197" Bore				
(cont.)				
COOLING SYSTEM				
QTY	THERMOSTAT	PART NO.	SIZE	DESCRIPTION
1	O-Ring	FP-6732-61-6240		
1	Thermostat	FP-6735-61-1690		
QTY	WATER PUMP	PART NO.	SIZE	DESCRIPTION
1	Water Pump - Heavy Duty	FP-6736-61-1202		
CRANKSHAFT/OIL PUMP				
QTY	CRANKSHAFT	PART NO.	SIZE	DESCRIPTION
1	Crankshaft	FP-6735-01-1310		
QTY	MAIN BEARINGS	PART NO.	SIZE	DESCRIPTION
1	Main Bearing Set	FP-6735-21-8100		STD
1	Main Bearing Set	FP-6736-29-8100		.25MM
1	Main Bearing Set	FP-6736-28-8100		.50MM
1	Main Bearing Set	FP-6736-27-8100		.75MM
1	Main Bearing Set	FP-6736-26-8100		1.00MM
1	Thrust Washer	FP-6731-21-8610		.50MM
1	Thrust Washer	FP-6731-21-8620		1.00MM
QTY	OIL PUMP	PART NO.	SIZE	DESCRIPTION
1	Oil Pump	FP-6731-51-1111		
QTY	SEALS - FRONT CRANK	PART NO.	SIZE	DESCRIPTION
1	Oil Seal	FP-6731-21-4220		
1	Oil Seal Kit	FP-6736-39-1221		
QTY	SEALS - REAR CRANK	PART NO.	SIZE	DESCRIPTION
1	Oil Seal	FP-6735-K2-3001		
1	Oil Seal	FP-6736-39-1130		Wet housing
1	Oil Seal Kit	FP-6736-39-1140		Dry housing
CYL. HEAD & PARTS				
QTY	GASKETS	PART NO.	SIZE	DESCRIPTION
1	Head Gasket	FP-6735-11-1821		
1	Head Gasket Set	FP-6731-11-9980		
6	Valve Cover Gasket	FP-6732-11-8181		
QTY	VALVE	PART NO.	SIZE	DESCRIPTION
24	Valve Keeper	FP-6732-41-4520		Int. & Exh.
6	Valve, Exhaust	FP-6736-41-4210		
6	Valve, Intake	FP-6736-41-4110		
QTY	VALVE GUIDE	PART NO.	SIZE	DESCRIPTION
12	Valve Guide	FP-6736-18-1310		Int. & Exh.; Thin wall
6	Valve Guide	FP-6736-19-1310		Int.; Thick wall, 60.50MM
6	Valve Guide	FP-6736-19-1410		Exh.; Thick wall, 51.75MM
QTY	VALVE SEAL	PART NO.	SIZE	DESCRIPTION
12	Valve Stem Seal	FP-6732-41-4540		Int. & Exh.
QTY	VALVE SEAT	PART NO.	SIZE	DESCRIPTION
6	Valve Seat	FP-6732-11-1170		Exh.
6	Valve Seat	FP-6732-11-1180		Int.
QTY	VALVE SPRING	PART NO.	SIZE	DESCRIPTION
12	Valve Spring	FP-6732-41-4430		
12	Valve Spring Seat	FP-6732-41-4510		Upper
CYLINDER COMPONENTS				
QTY	CONNECTING RODS & BRGS.	PART NO.	SIZE	DESCRIPTION
12	Rod Bearing Half Upper/Lower	FP-6732-31-3411		STD
12	Rod Bearing Half Upper/Lower	FP-6736-39-3400		.25MM
12	Rod Bearing Half Upper/Lower	FP-6736-38-3400		.50MM
12	Rod Bearing Half Upper/Lower	FP-6736-37-3400		.75MM
12	Rod Bearing Half Upper/Lower	FP-6736-36-3400		1.00MM
QTY	LINERS	PART NO.	SIZE	DESCRIPTION
6	Liner w/o Sealing Ring	FP-6736-29-2110		
QTY	PISTON RINGS	PART NO.	SIZE	DESCRIPTION
6	Ring Set, Single Cylinder	FP-6736-31-2030		STD
QTY	PISTONS	PART NO.	SIZE	DESCRIPTION
6	Piston Kit w/Pin & Retainers	FP-6735-01-3110		
6	Piston Pin	FP-6736-31-2430		
6	Piston Pin Bushing	FP-6732-31-3131		

(continued on next page)

5.9L 359 OHV L6, 4.0197" Bore **75** (cont.)

CYLINDER COMPONENTS (cont.)

QTY	PISTONS (cont.)	PART NO.	SIZE	DESCRIPTION
12	Piston Pin Retainer	FP-6736-31-2510		

ENGINE BLOCK & PARTS

QTY	CAM BEARINGS	PART NO.	SIZE	DESCRIPTION
1	Camshaft Bearing	FP-6736-29-1410		1; O/S
6	Camshaft Bearing	FP-6736-29-1420		2-3-4-5; O/S
1	Camshaft Bearing	FP-6732-21-1410	STD	Narrow

QTY	GASKET SETS	PART NO.	SIZE	DESCRIPTION
1	Conversion Gasket Set	FP-6735-01-1210		

QTY	GASKETS	PART NO.	SIZE	DESCRIPTION
1	Oil Pan Gasket	FP-6735-21-5661		Oil pan

FUEL SYSTEM & PARTS

QTY	FUEL INJECTION	PART NO.	SIZE	DESCRIPTION
6	Fuel Injector - New	FP-6736-11-3100		
6	Fuel Injector Nozzle	FP-6731-11-3150		

INT & EXH MANIFOLDS

QTY	INT. & EXH. MANIFOLDS	PART NO.	SIZE	DESCRIPTION
6	Exhaust Manifold Gasket	FP-6736-11-5810		
1	Intake Manifold Gasket	FP-6735-11-4812		

5.9L 359 OHV L6, 4.0197" Bore **76** *Wheel Loader*

S6D102E; Build Series 1W-D; Eng. Ser. No. 26200929-Up; Model WA180-3; Model Ser. No. 53001-Up
 S6D102E; Build Series 1W-D; Eng. Ser. No. 26200929-Up; Model WA180-3A; Model Ser. No. 53001-Up
 S6D102E; Build Series 1W-L; Eng. Ser. No. 26200929-Up; Model WA180L-3; Model Ser. No. 54001-Up
 S6D102E; Build Series 1W-PT; Eng. Ser. No. 26200929-Up; Model WA180PT-3; Model Ser. No. 50001-Up
 S6D102E; Build Series 1X; Eng. Ser. No. 26200929-Up; Model WA250-3A; Model Ser. No. 53001-Up
 S6D102E; Build Series 1X; Eng. Ser. No. 26200929-Up; Model WA250PT-3; Model Ser. No. 50001-Up
 S6D102E; Build Series 1XL; Eng. Ser. No. 26200929-Up; Model WA250L-3-KM; Model Ser. No. 53001-Up

CAMSHAFT GROUP

QTY	CAMSHAFT/LIFTER	PART NO.	SIZE	DESCRIPTION
12	Lifter	FP-6732-41-2112		

COOLING SYSTEM

QTY	THERMOSTAT	PART NO.	SIZE	DESCRIPTION
1	O-Ring	FP-6732-61-6240		
1	Thermostat	FP-6732-61-1620		From Eng. Ser. No. 26200929 to 30707204
1	Thermostat	FP-6735-61-1690		Eng. Ser. No. 30707205-Up

QTY	WATER PUMP	PART NO.	SIZE	DESCRIPTION
1	Water Pump - Heavy Duty	FP-6736-61-1202		

CRANKSHAFT/OIL PUMP

QTY	CRANKSHAFT	PART NO.	SIZE	DESCRIPTION
1	Crankshaft	FP-6735-01-1310		

QTY	MAIN BEARINGS	PART NO.	SIZE	DESCRIPTION
1	Main Bearing Set	FP-6735-21-8100	STD	
1	Main Bearing Set	FP-6736-29-8100	.25MM	
1	Main Bearing Set	FP-6736-28-8100	.50MM	
1	Main Bearing Set	FP-6736-27-8100	.75MM	
1	Main Bearing Set	FP-6736-26-8100	1.00MM	
1	Thrust Washer	FP-6731-21-8610	.50MM	
1	Thrust Washer	FP-6731-21-8620	1.00MM	

QTY	OIL PUMP	PART NO.	SIZE	DESCRIPTION
1	Oil Pump	FP-6731-51-1111		

QTY	SEALS - FRONT CRANK	PART NO.	SIZE	DESCRIPTION
1	Oil Seal	FP-6731-21-4220		
1	Oil Seal Kit	FP-6736-39-1221		

QTY	SEALS - REAR CRANK	PART NO.	SIZE	DESCRIPTION
1	Oil Seal	FP-6735-K2-3001		
1	Oil Seal	FP-6736-39-1130		Wet housing
1	Oil Seal Kit	FP-6736-39-1140		Dry housing

(continued on next page)

76 5.9L 359 OHV L6, 4.0197" Bore				
CYL. HEAD & PARTS				
QTY	GASKETS	PART NO.	SIZE	DESCRIPTION
1	Head Gasket	FP-6735-11-1821		
1	Head Gasket Set	FP-6731-11-9980		
6	Valve Cover Gasket	FP-6732-11-8181		
QTY	VALVE	PART NO.	SIZE	DESCRIPTION
24	Valve Keeper	FP-6732-41-4520		Int. & Exh.
6	Valve, Exhaust	FP-6736-41-4210		
6	Valve, Intake	FP-6736-41-4110		
QTY	VALVE GUIDE	PART NO.	SIZE	DESCRIPTION
12	Valve Guide	FP-6736-18-1310		Int. & Exh.; Thin wall
6	Valve Guide	FP-6736-19-1310		Int.; Thick wall, 60.50MM
6	Valve Guide	FP-6736-19-1410		Exh.; Thick wall, 51.75MM
QTY	VALVE SEAL	PART NO.	SIZE	DESCRIPTION
12	Valve Stem Seal	FP-6732-41-4540		Int. & Exh.
QTY	VALVE SEAT	PART NO.	SIZE	DESCRIPTION
6	Valve Seat	FP-6732-11-1170		Exh.
6	Valve Seat	FP-6732-11-1180		Int.
QTY	VALVE SPRING	PART NO.	SIZE	DESCRIPTION
12	Valve Spring	FP-6732-41-4430		
12	Valve Spring Seat	FP-6732-41-4510		Upper
CYLINDER COMPONENTS				
QTY	CONNECTING RODS & BRGS.	PART NO.	SIZE	DESCRIPTION
12	Rod Bearing Half Upper/Lower	FP-6732-31-3411	STD	
12	Rod Bearing Half Upper/Lower	FP-6736-39-3400	.25MM	
12	Rod Bearing Half Upper/Lower	FP-6736-38-3400	.50MM	
12	Rod Bearing Half Upper/Lower	FP-6736-37-3400	.75MM	
12	Rod Bearing Half Upper/Lower	FP-6736-36-3400	1.00MM	
QTY	LINERS	PART NO.	SIZE	DESCRIPTION
6	Liner w/o Sealing Ring	FP-6736-29-2110		
QTY	PISTON RINGS	PART NO.	SIZE	DESCRIPTION
6	Ring Set, Single Cylinder	FP-6738-31-2031	STD	
QTY	PISTONS	PART NO.	SIZE	DESCRIPTION
6	Piston Body w/o Pin	FP-6735-31-2111	STD	
6	Piston Pin	FP-6731-31-2410		
6	Piston Pin Bushing	FP-6732-31-3131		
12	Piston Pin Retainer	FP-6732-31-2420		
6	Piston w/Retainer & Rings	FP-6735-31-2140	STD	
ENGINE BLOCK & PARTS				
QTY	CAM BEARINGS	PART NO.	SIZE	DESCRIPTION
1	Camshaft Bearing	FP-6736-29-1410		1; O/S
6	Camshaft Bearing	FP-6736-29-1420		2-3-4-5; O/S
1	Camshaft Bearing	FP-6732-21-1410	STD	Narrow
1	Camshaft Bearing	FP-6732-21-1411	STD	Wide
QTY	GASKET SETS	PART NO.	SIZE	DESCRIPTION
1	Conversion Gasket Set	FP-6735-01-1210		
QTY	GASKETS	PART NO.	SIZE	DESCRIPTION
1	Oil Pan Gasket	FP-6735-21-5661		Oil pan
FUEL SYSTEM & PARTS				
QTY	FUEL INJECTION	PART NO.	SIZE	DESCRIPTION
6	Fuel Injector - New	FP-6732-11-3120		
6	Fuel Injector Nozzle	FP-6732-11-3140		
INT & EXH MANIFOLDS				
QTY	INT. & EXH. MANIFOLDS	PART NO.	SIZE	DESCRIPTION
6	Exhaust Manifold Gasket	FP-6736-11-5810		
1	Intake Manifold Gasket	FP-6735-11-4812		

5.9L 359 OHV L6, 4.0197" Bore 77

Wheel Loader

S6D102E; Build Series 1; Eng. Ser. No. 21295204-Up; Model WA180-3 Avance Plus PTC; Model Ser. No. A85001-Up
 S6D102E; Build Series 1; Eng. Ser. No. 21295204-Up; Model WA180-3 Avance Plus; Model Ser. No. A81001-Up
 S6D102E; Build Series 1; Eng. Ser. No. 21295204-Up; Model WA180-3L; Model Ser. No. A80001-Up
 S6D102E; Build Series 1; Eng. Ser. No. 21295204-Up; Model WA250-3 Avance Plus PTC; Model Ser. No. A78001-Up
 S6D102E; Build Series 1; Eng. Ser. No. 21295204-Up; Model WA250-3 Avance Plus; Model Ser. No. A71001-Up
 S6D102E; Build Series 1; Eng. Ser. No. 21295204-Up; Model WA250-3L PTC; Model Ser. No. A75001-Up
 S6D102E; Build Series 1; Eng. Ser. No. 21295204-Up; Model WA250-3L; Model Ser. No. A70001-Up
 S6D102E; Build Series 1; Eng. Ser. No. 21295204-Up; Model WA250L-3; Model Ser. No. 53001-Up

CAMSHAFT GROUP

QTY	CAMSHAFT/LIFTER	PART NO.	SIZE	DESCRIPTION
12	Lifter	FP-6732-41-2112		

COOLING SYSTEM

QTY	THERMOSTAT	PART NO.	SIZE	DESCRIPTION
1	O-Ring	FP-6732-61-6240		
1	Thermostat	FP-6732-61-1620		Eng. Ser. No. Up to 30707204
1	Thermostat	FP-6735-61-1690		Eng. Ser. No. 30707205-Up

QTY	WATER PUMP	PART NO.	SIZE	DESCRIPTION
1	Water Pump - Heavy Duty	FP-6736-61-1202		

CRANKSHAFT/OIL PUMP

QTY	CRANKSHAFT	PART NO.	SIZE	DESCRIPTION
1	Crankshaft	FP-6735-01-1310		

QTY	MAIN BEARINGS	PART NO.	SIZE	DESCRIPTION
1	Main Bearing Set	FP-6735-21-8100	STD	
1	Main Bearing Set	FP-6736-29-8100	.25MM	
1	Main Bearing Set	FP-6736-28-8100	.50MM	
1	Main Bearing Set	FP-6736-27-8100	.75MM	
1	Main Bearing Set	FP-6736-26-8100	1.00MM	
1	Thrust Washer	FP-6731-21-8610	.50MM	
1	Thrust Washer	FP-6731-21-8620	1.00MM	

QTY	OIL PUMP	PART NO.	SIZE	DESCRIPTION
1	Oil Pump	FP-6731-51-1111		

QTY	SEALS - FRONT CRANK	PART NO.	SIZE	DESCRIPTION
1	Oil Seal	FP-6731-21-4220		
1	Oil Seal Kit	FP-6736-39-1221		

QTY	SEALS - REAR CRANK	PART NO.	SIZE	DESCRIPTION
1	Oil Seal	FP-6735-K2-3001		
1	Oil Seal	FP-6736-39-1130		Wet housing
1	Oil Seal Kit	FP-6736-39-1140		Dry housing

CYL. HEAD & PARTS

QTY	GASKETS	PART NO.	SIZE	DESCRIPTION
1	Head Gasket	FP-6735-11-1821		
1	Head Gasket Set	FP-6731-11-9980		
6	Valve Cover Gasket	FP-6732-11-8181		

QTY	VALVE	PART NO.	SIZE	DESCRIPTION
24	Valve Keeper	FP-6732-41-4520		Int. & Exh.
6	Valve, Exhaust	FP-6736-41-4210		
6	Valve, Intake	FP-6736-41-4110		

QTY	VALVE GUIDE	PART NO.	SIZE	DESCRIPTION
12	Valve Guide	FP-6736-18-1310		Int. & Exh.; Thin wall
6	Valve Guide	FP-6736-19-1310		Int.; Thick wall, 60.50MM
6	Valve Guide	FP-6736-19-1410		Exh.; Thick wall, 51.75MM

QTY	VALVE SEAL	PART NO.	SIZE	DESCRIPTION
12	Valve Stem Seal	FP-6732-41-4540		Int. & Exh.

QTY	VALVE SEAT	PART NO.	SIZE	DESCRIPTION
6	Valve Seat	FP-6732-11-1170		Exh.
6	Valve Seat	FP-6732-11-1180		Int.

QTY	VALVE SPRING	PART NO.	SIZE	DESCRIPTION
12	Valve Spring	FP-6732-41-4430		
12	Valve Spring Seat	FP-6732-41-4510		Upper

(continued on next page)

77 5.9L 359 OHV L6, 4.0197" Bore				
(cont.)				
CYLINDER COMPONENTS				
QTY	CONNECTING RODS & BRGS.	PART NO.	SIZE	DESCRIPTION
12	Rod Bearing Half Upper/Lower	FP-6732-31-3411	STD	
12	Rod Bearing Half Upper/Lower	FP-6736-39-3400	.25MM	
12	Rod Bearing Half Upper/Lower	FP-6736-38-3400	.50MM	
12	Rod Bearing Half Upper/Lower	FP-6736-37-3400	.75MM	
12	Rod Bearing Half Upper/Lower	FP-6736-36-3400	1.00MM	
QTY	LINERS	PART NO.	SIZE	DESCRIPTION
6	Liner w/o Sealing Ring	FP-6736-29-2110		
QTY	PISTON RINGS	PART NO.	SIZE	DESCRIPTION
6	Ring Set, Single Cylinder	FP-6738-31-2031	STD	
QTY	PISTONS	PART NO.	SIZE	DESCRIPTION
6	Piston Body w/o Pin	FP-6735-31-2111	STD	
6	Piston Pin	FP-6731-31-2410		
6	Piston Pin Bushing	FP-6732-31-3131		
12	Piston Pin Retainer	FP-6732-31-2420		
6	Piston w/Retainer & Rings	FP-6735-31-2140	STD	
ENGINE BLOCK & PARTS				
QTY	CAM BEARINGS	PART NO.	SIZE	DESCRIPTION
1	Camshaft Bearing	FP-6736-29-1410		1; O/S
6	Camshaft Bearing	FP-6736-29-1420		2-3-4-5; O/S
1	Camshaft Bearing	FP-6732-21-1410	STD	Narrow
1	Camshaft Bearing	FP-6732-21-1411	STD	Wide
QTY	GASKET SETS	PART NO.	SIZE	DESCRIPTION
1	Conversion Gasket Set	FP-6735-01-1210		
QTY	GASKETS	PART NO.	SIZE	DESCRIPTION
1	Oil Pan Gasket	FP-6735-21-5661		Oil pan
FUEL SYSTEM & PARTS				
QTY	FUEL INJECTION	PART NO.	SIZE	DESCRIPTION
6	Fuel Injector - New	FP-6733-11-3100		
6	Fuel Injector Nozzle	FP-6735-11-3160		
INT & EXH MANIFOLDS				
QTY	INT. & EXH. MANIFOLDS	PART NO.	SIZE	DESCRIPTION
6	Exhaust Manifold Gasket	FP-6736-11-5810		
1	Intake Manifold Gasket	FP-6735-11-4812		
78 5.9L 359 OHV L6, 4.0197" Bore				
Wheel Loader				
SA6D102E; Build Series 1B-C; Eng. Ser. No. 26200467-Up; Model WA320-3CS; Model Ser. No. 50001-Up				
SA6D102E; Build Series 1B-C; Eng. Ser. No. 26200467-Up; Model WA320-3DZ; Model Ser. No. 50001-Up				
SA6D102E; Build Series 1B; Eng. Ser. No. 26200467-Up; Model WA300L-3; Model Ser. No. 53001-Up				
SA6D102E; Build Series 1B; Eng. Ser. No. 26200467-Up; Model WA320-3 Avance Custom; Model Ser. No. 53001-Up				
CAMSHAFT GROUP				
QTY	CAMSHAFT/LIFTER	PART NO.	SIZE	DESCRIPTION
12	Lifter	FP-6732-41-2112		
COOLING SYSTEM				
QTY	THERMOSTAT	PART NO.	SIZE	DESCRIPTION
1	O-Ring	FP-6732-61-6240		
1	Thermostat	FP-6732-61-1620		From Eng. Ser. No. 26200467 to 30707204
1	Thermostat	FP-6735-61-1690		Eng. Ser. No. 30707205-Up
QTY	WATER PUMP	PART NO.	SIZE	DESCRIPTION
1	Water Pump - Heavy Duty	FP-6736-61-1202		
CRANKSHAFT/OIL PUMP				
QTY	CRANKSHAFT	PART NO.	SIZE	DESCRIPTION
1	Crankshaft	FP-6735-01-1310		
QTY	MAIN BEARINGS	PART NO.	SIZE	DESCRIPTION
1	Main Bearing Set	FP-6735-21-8100	STD	
1	Main Bearing Set	FP-6736-29-8100	.25MM	
1	Main Bearing Set	FP-6736-28-8100	.50MM	
1	Main Bearing Set	FP-6736-27-8100	.75MM	
1	Main Bearing Set	FP-6736-26-8100	1.00MM	

(continued on next page)

5.9L 359 OHV L6, 4.0197" Bore 78
(cont.)

CRANKSHAFT/OIL PUMP (cont.)

QTY	MAIN BEARINGS (cont.)	PART NO.	SIZE	DESCRIPTION
1	Thrust Washer	FP-6731-21-8610	.50MM	
1	Thrust Washer	FP-6731-21-8620	1.00MM	
QTY	OIL PUMP	PART NO.	SIZE	DESCRIPTION
1	Oil Pump	FP-6731-51-1111		
QTY	SEALS - FRONT CRANK	PART NO.	SIZE	DESCRIPTION
1	Oil Seal	FP-6731-21-4220		
1	Oil Seal Kit	FP-6736-39-1221		
QTY	SEALS - REAR CRANK	PART NO.	SIZE	DESCRIPTION
1	Oil Seal	FP-6735-K2-3001		
1	Oil Seal	FP-6736-39-1130		Wet housing
1	Oil Seal Kit	FP-6736-39-1140		Dry housing

CYL. HEAD & PARTS

QTY	GASKETS	PART NO.	SIZE	DESCRIPTION
1	Head Gasket	FP-6735-11-1821		
1	Head Gasket Set	FP-6731-11-9980		
6	Valve Cover Gasket	FP-6732-11-8181		
QTY	VALVE	PART NO.	SIZE	DESCRIPTION
24	Valve Keeper	FP-6732-41-4520		Int. & Exh.
6	Valve, Exhaust	FP-6736-41-4210		
6	Valve, Intake	FP-6736-41-4110		
QTY	VALVE GUIDE	PART NO.	SIZE	DESCRIPTION
12	Valve Guide	FP-6736-18-1310		Int. & Exh.; Thin wall
6	Valve Guide	FP-6736-19-1310		Int.; Thick wall, 60.50MM
6	Valve Guide	FP-6736-19-1410		Exh.; Thick wall, 51.75MM
QTY	VALVE SEAL	PART NO.	SIZE	DESCRIPTION
12	Valve Stem Seal	FP-6732-41-4540		Int. & Exh.
QTY	VALVE SEAT	PART NO.	SIZE	DESCRIPTION
6	Valve Seat	FP-6732-11-1170		Exh.
6	Valve Seat	FP-6732-11-1180		Int.
QTY	VALVE SPRING	PART NO.	SIZE	DESCRIPTION
12	Valve Spring	FP-6732-41-4430		
12	Valve Spring Seat	FP-6732-41-4510		Upper

CYLINDER COMPONENTS

QTY	CONNECTING RODS & BRGS.	PART NO.	SIZE	DESCRIPTION
12	Rod Bearing Half Upper/Lower	FP-6732-31-3411	STD	
12	Rod Bearing Half Upper/Lower	FP-6736-39-3400	.25MM	
12	Rod Bearing Half Upper/Lower	FP-6736-38-3400	.50MM	
12	Rod Bearing Half Upper/Lower	FP-6736-37-3400	.75MM	
12	Rod Bearing Half Upper/Lower	FP-6736-36-3400	1.00MM	
QTY	LINERS	PART NO.	SIZE	DESCRIPTION
6	Liner w/o Sealing Ring	FP-6736-29-2110		
QTY	PISTON RINGS	PART NO.	SIZE	DESCRIPTION
6	Ring Set, Single Cylinder	FP-6738-31-2031	STD	
QTY	PISTONS	PART NO.	SIZE	DESCRIPTION
6	Piston Body w/o Pin	FP-6735-31-2111	STD	
6	Piston Pin	FP-6731-31-2410		
6	Piston Pin Bushing	FP-6732-31-3131		
12	Piston Pin Retainer	FP-6732-31-2420		
6	Piston w/Retainer & Rings	FP-6735-31-2140	STD	

ENGINE BLOCK & PARTS

QTY	CAM BEARINGS	PART NO.	SIZE	DESCRIPTION
1	Camshaft Bearing	FP-6736-29-1410		1; O/S
6	Camshaft Bearing	FP-6736-29-1420		2-3-4-5; O/S
1	Camshaft Bearing	FP-6732-21-1410	STD	Narrow
1	Camshaft Bearing	FP-6732-21-1411	STD	Wide
QTY	GASKET SETS	PART NO.	SIZE	DESCRIPTION
1	Conversion Gasket Set	FP-6735-01-1210		
QTY	GASKETS	PART NO.	SIZE	DESCRIPTION
1	Oil Pan Gasket	FP-6735-21-5661		Oil pan

(continued on next page)

78 5.9L 359 OHV L6, 4.0197" Bore				
FUEL SYSTEM & PARTS				
QTY	FUEL INJECTION	PART NO.	SIZE	DESCRIPTION
6	Fuel Injector - New	FP-6732-11-3120		
6	Fuel Injector Nozzle	FP-6732-11-3140		
INT & EXH MANIFOLDS				
QTY	INT. & EXH. MANIFOLDS	PART NO.	SIZE	DESCRIPTION
6	Exhaust Manifold Gasket	FP-6736-11-5810		
1	Intake Manifold Gasket	FP-6735-11-4812		
79 6.5L 396 OHV L6, 4.1338" Bore				
<i>Dozer</i>				
6D105; Build Series 1M-P; From Eng. Ser. No. 15149 to 49999; Model D40A-3; Model Ser. No. 6001-Up				
6D105; Build Series 1M-P; From Eng. Ser. No. 15149 to 49999; Model D40AM-3; Model Ser. No. 6001-Up				
6D105; Build Series 1M-P; From Eng. Ser. No. 15149 to 49999; Model D40F-3; Model Ser. No. 6001-Up				
6D105; Build Series 1M-P; From Eng. Ser. No. 15149 to 49999; Model D40P-3; Model Ser. No. 6001-Up				
6D105; Build Series 1M-P; From Eng. Ser. No. 15149 to 49999; Model D40PF-3A; Model Ser. No. 6001-Up				
6D105; Build Series 1M-P; From Eng. Ser. No. 15149 to 49999; Model D40PL-3; Model Ser. No. 6001-Up				
6D105; Build Series 1M-P; From Eng. Ser. No. 15149 to 49999; Model D40PLL-3; Model Ser. No. 6001-Up				
6D105; Build Series 1M-P; From Eng. Ser. No. 15149 to 49999; Model D41A-3; Model Ser. No. 6001-Up				
6D105; Build Series 1M-P; From Eng. Ser. No. 15149 to 49999; Model D41A-3A; Model Ser. No. 6001-Up				
6D105; Build Series 1M-P; From Eng. Ser. No. 15149 to 49999; Model D41A-3C; Model Ser. No. 6001-Up				
6D105; Build Series 1M-P; From Eng. Ser. No. 15149 to 49999; Model D41E-3; Model Ser. No. 6001-Up				
6D105; Build Series 1M-P; From Eng. Ser. No. 15149 to 49999; Model D41P-3; Model Ser. No. 6001-Up				
6D105; Build Series 1M-P; From Eng. Ser. No. 15149 to 49999; Model D41Q-3; Model Ser. No. 6001-Up				
6D105; Build Series 1M-P; From Eng. Ser. No. 15149 to 49999; Model D41S-3; Model Ser. No. 6001-Up				
CAMSHAFT GROUP				
QTY	CAMSHAFT/LIFTER	PART NO.	SIZE	DESCRIPTION
12	Lifter	FP-6136-42-2111		
COOLING SYSTEM				
QTY	THERMOSTAT	PART NO.	SIZE	DESCRIPTION
1	O-Ring	FP-6136-11-6810		
1	Thermostat	FP-600-421-6210		
QTY	WATER PUMP	PART NO.	SIZE	DESCRIPTION
1	Water Pump - Heavy Duty	FP-6136-61-1402		
CRANKSHAFT/OIL PUMP				
QTY	CRANKSHAFT	PART NO.	SIZE	DESCRIPTION
1	Crankshaft	FP-6136-31-1010		
QTY	MAIN BEARINGS	PART NO.	SIZE	DESCRIPTION
1	Main Bearing and Thrust Washer	FP-6136-21-8000		
7	Main Bearing, Flanged	FP-6136-21-8010	STD	
7	Main Bearing, Flanged	FP-6136-29-8010	.25MM	
7	Main Bearing, Flanged	FP-6136-28-8010	.50MM	
7	Main Bearing, Flanged	FP-6136-27-8010	.75MM	
7	Main Bearing, Flanged	FP-6136-26-8010	1.00MM	
1	Thrust Washer	FP-6134-21-8050	STD	
1	Thrust Washer	FP-6134-29-8050	.25MM	
1	Thrust Washer	FP-6134-28-8050	.50MM	
1	Thrust Washer	FP-6136-27-8050	.75MM	
1	Thrust Washer	FP-6136-26-8050	1.00MM	
QTY	OIL PUMP	PART NO.	SIZE	DESCRIPTION
1	Oil Pump	FP-6136-51-1002		
QTY	SEALS - FRONT CRANK	PART NO.	SIZE	DESCRIPTION
1	Oil Seal	FP-6136-22-3510		
QTY	SEALS - REAR CRANK	PART NO.	SIZE	DESCRIPTION
1	Oil Seal	FP-6130-21-4231		
CYL. HEAD & PARTS				
QTY	GASKETS	PART NO.	SIZE	DESCRIPTION
1	Head Gasket	FP-6137-12-1811		
1	Head Gasket Set	FP-6136-K1-9901		
1	Valve Cover Gasket	FP-6136-11-8814		
QTY	PUSH RODS	PART NO.	SIZE	DESCRIPTION
12	Push Rod	FP-6136-42-3120		

(continued on next page)

6.5L 396 OHV L6, 4.1338" Bore 79
(cont.)

CYL. HEAD & PARTS (cont.)

QTY	VALVE	PART NO.	SIZE	DESCRIPTION
24	Valve Keeper	FP-6136-41-4520		Int. & Exh.
6	Valve, Exhaust	FP-6136-41-4211		
6	Valve, Intake	FP-6136-41-4110		
QTY	VALVE GUIDE	PART NO.	SIZE	DESCRIPTION
12	Valve Guide	FP-6136-19-1331		
QTY	VALVE SEAT	PART NO.	SIZE	DESCRIPTION
6	Valve Seat	FP-6134-11-1320		Exh.
6	Valve Seat	FP-6136-11-1311		Int.
QTY	VALVE SPRING	PART NO.	SIZE	DESCRIPTION
12	Valve Spring	FP-6136-41-4410		Upper Lower
12	Valve Spring Seat	FP-6136-41-4510		
12	Valve Spring Seat	FP-6136-41-4530		

CYLINDER COMPONENTS

QTY	CONNECTING RODS & BRGS.	PART NO.	SIZE	DESCRIPTION
6	Connecting Rod Bearing Pair	FP-6138-31-3040	STD	
6	Connecting Rod Bearing Pair	FP-6138-39-3050	.25MM	
6	Connecting Rod Bearing Pair	FP-6138-38-3050	.50MM	
6	Connecting Rod Bearing Pair	FP-6138-37-3050	.75MM	
6	Connecting Rod Bearing Pair	FP-6138-36-3050	1.00MM	
QTY	LINERS	PART NO.	SIZE	
6	Cylinder Kit Complete	FP-LK62112		
6	Liner w/o Sealing Ring	FP-6137-22-2210		
6	O-Ring	FP-6136-21-2230		
6	O-Ring	FP-6136-21-2240		
6	Sealing Ring, Liner	FP-6136-21-2220		
QTY	PISTON RINGS	PART NO.	SIZE	DESCRIPTION
6	Ring Set, Single Cylinder	FP-6136-31-2030		
QTY	PISTONS	PART NO.	SIZE	DESCRIPTION
6	Piston Body w/o Pin	FP-6136-31-2112		
6	Piston Kit w/Pin & Retainers	FP-6136-31-2012		
6	Piston Pin	FP-6136-31-2410		
6	Piston Pin Bushing	FP-6136-31-3130		
12	Piston Pin Retainer	FP-04065-04018		

ENGINE BLOCK & PARTS

QTY	CAM BEARINGS	PART NO.	SIZE	DESCRIPTION
4	Camshaft Bearing	FP-6136-21-1410		
QTY	GASKET SETS	PART NO.	SIZE	DESCRIPTION
1	Conversion Gasket Set	FP-6136-K2-9901		
QTY	GASKETS	PART NO.	SIZE	DESCRIPTION
1	Oil Pan Gasket	FP-6136-21-5821		

FUEL SYSTEM & PARTS

QTY	FUEL INJECTION	PART NO.	SIZE	DESCRIPTION
6	Fuel Injector Sleeve	FP-6136-11-1130		

INT & EXH MANIFOLDS

QTY	INT. & EXH. MANIFOLDS	PART NO.	SIZE	DESCRIPTION
3	Exhaust Manifold Gasket	FP-6135-11-5810		
2	Intake Manifold Gasket	FP-6136-11-4850		

80 6.5L 396 OHV L6, 4.1338" Bore

Dozer

6D105; Build Series 1M-P; Eng. Ser. No. 50001-Up; Model D40A-3; Model Ser. No. 6001-Up
 6D105; Build Series 1M-P; Eng. Ser. No. 50001-Up; Model D40AM-3; Model Ser. No. 6001-Up
 6D105; Build Series 1M-P; Eng. Ser. No. 50001-Up; Model D40F-3; Model Ser. No. 6001-Up
 6D105; Build Series 1M-P; Eng. Ser. No. 50001-Up; Model D40P-3; Model Ser. No. 6001-Up
 6D105; Build Series 1M-P; Eng. Ser. No. 50001-Up; Model D40PF-3A; Model Ser. No. 6001-Up
 6D105; Build Series 1M-P; Eng. Ser. No. 50001-Up; Model D40PL-3; Model Ser. No. 6001-Up
 6D105; Build Series 1M-P; Eng. Ser. No. 50001-Up; Model D40PLL-3; Model Ser. No. 6001-Up
 6D105; Build Series 1M-P; Eng. Ser. No. 50001-Up; Model D41A-3; Model Ser. No. 6001-Up
 6D105; Build Series 1M-P; Eng. Ser. No. 50001-Up; Model D41A-3A; Model Ser. No. 6001-Up
 6D105; Build Series 1M-P; Eng. Ser. No. 50001-Up; Model D41A-3C; Model Ser. No. 6001-Up
 6D105; Build Series 1M-P; Eng. Ser. No. 50001-Up; Model D41E-3; Model Ser. No. 6001-Up
 6D105; Build Series 1M-P; Eng. Ser. No. 50001-Up; Model D41P-3; Model Ser. No. 6001-Up
 6D105; Build Series 1M-P; Eng. Ser. No. 50001-Up; Model D41Q-3; Model Ser. No. 6001-Up
 6D105; Build Series 1M-P; Eng. Ser. No. 50001-Up; Model D41S-3; Model Ser. No. 6001-Up

CAMSHAFT GROUP

QTY	CAMSHAFT/LIFTER	PART NO.	SIZE	DESCRIPTION
12	Lifter	FP-6136-42-2111		

COOLING SYSTEM

QTY	THERMOSTAT	PART NO.	SIZE	DESCRIPTION
1	O-Ring	FP-6136-11-6810		
1	Thermostat	FP-600-421-6210		
QTY	WATER PUMP	PART NO.	SIZE	DESCRIPTION
1	Water Pump - Heavy Duty	FP-6136-61-1402		

CRANKSHAFT/OIL PUMP

QTY	CRANKSHAFT	PART NO.	SIZE	DESCRIPTION
1	Crankshaft	FP-6136-31-1010		
QTY	MAIN BEARINGS	PART NO.	SIZE	DESCRIPTION
1	Main Bearing and Thrust Washer	FP-6136-21-8000		
7	Main Bearing, Flanged	FP-6136-21-8010	STD	
7	Main Bearing, Flanged	FP-6136-29-8010	.25MM	
7	Main Bearing, Flanged	FP-6136-28-8010	.50MM	
7	Main Bearing, Flanged	FP-6136-27-8010	.75MM	
7	Main Bearing, Flanged	FP-6136-26-8010	1.00MM	
1	Thrust Washer	FP-6134-21-8050	STD	
1	Thrust Washer	FP-6134-29-8050	.25MM	
1	Thrust Washer	FP-6134-28-8050	.50MM	
1	Thrust Washer	FP-6136-27-8050	.75MM	
1	Thrust Washer	FP-6136-26-8050	1.00MM	
QTY	OIL PUMP	PART NO.	SIZE	DESCRIPTION
1	Oil Pump	FP-6136-52-1100		
QTY	SEALS - FRONT CRANK	PART NO.	SIZE	DESCRIPTION
1	Oil Seal	FP-6136-22-3510		
QTY	SEALS - REAR CRANK	PART NO.	SIZE	DESCRIPTION
1	Oil Seal	FP-6130-21-4231		

CYL. HEAD & PARTS

QTY	GASKETS	PART NO.	SIZE	DESCRIPTION
1	Head Gasket	FP-6136-11-1813		
1	Head Gasket Set	FP-6136-K1-9901		
1	Valve Cover Gasket	FP-6136-11-8814		
QTY	PUSH RODS	PART NO.	SIZE	DESCRIPTION
12	Push Rod	FP-6136-42-3120		
QTY	VALVE	PART NO.	SIZE	DESCRIPTION
24	Valve Keeper	FP-6136-42-4520		Int. & Exh.
6	Valve, Exhaust	FP-6136-42-4211	STD	
6	Valve, Intake	FP-6136-42-4110		
QTY	VALVE GUIDE	PART NO.	SIZE	DESCRIPTION
12	Valve Guide	FP-6136-19-1430		
QTY	VALVE SEAT	PART NO.	SIZE	DESCRIPTION
6	Valve Seat	FP-6136-12-1310		Int.
6	Valve Seat	FP-6136-12-1320		Exh.
QTY	VALVE SPRING	PART NO.	SIZE	DESCRIPTION
12	Valve Spring	FP-6136-42-4410		
12	Valve Spring Seat	FP-6136-41-4530		Lower

(continued on next page)

6.5L 396 OHV L6, 4.1338" Bore 80
(cont.)

CYL. HEAD & PARTS (cont.)

QTY	VALVE SPRING (cont.)	PART NO.	SIZE	DESCRIPTION
12	Valve Spring Seat	FP-6136-42-4510		Upper

CYLINDER COMPONENTS

QTY	CONNECTING RODS & BRGS.	PART NO.	SIZE	DESCRIPTION
6	Connecting Rod Bearing Pair	FP-6138-31-3040	STD	
6	Connecting Rod Bearing Pair	FP-6138-39-3050	.25MM	
6	Connecting Rod Bearing Pair	FP-6138-38-3050	.50MM	
6	Connecting Rod Bearing Pair	FP-6138-37-3050	.75MM	
6	Connecting Rod Bearing Pair	FP-6138-36-3050	1.00MM	

QTY	LINERS	PART NO.	SIZE	DESCRIPTION
6	Cylinder Kit Complete	FP-LK322110		
6	Liner w/o Sealing Ring	FP-6137-22-2210		
6	O-Ring	FP-6136-21-2230		
6	O-Ring	FP-6136-21-2240		
6	Sealing Ring, Liner	FP-6136-21-2220		

QTY	PISTON RINGS	PART NO.	SIZE	DESCRIPTION
6	Ring Set, Single Cylinder	FP-6136-31-2030		

QTY	PISTONS	PART NO.	SIZE	DESCRIPTION
6	Piston Body w/o Pin	FP-6136-32-2110		
6	Piston Kit w/Pin & Retainers	FP-6136-32-2010		
6	Piston Pin	FP-6136-31-2410		
6	Piston Pin Bushing	FP-6136-32-3130		
12	Piston Pin Retainer	FP-04065-04018		

ENGINE BLOCK & PARTS

QTY	CAM BEARINGS	PART NO.	SIZE	DESCRIPTION
4	Camshaft Bearing	FP-6136-21-1410		

QTY	GASKET SETS	PART NO.	SIZE	DESCRIPTION
1	Conversion Gasket Set	FP-6136-K2-9901		

QTY	GASKETS	PART NO.	SIZE	DESCRIPTION
1	Oil Pan Gasket	FP-6136-21-5821		

FUEL SYSTEM & PARTS

QTY	FUEL INJECTION	PART NO.	SIZE	DESCRIPTION
6	Fuel Injector Sleeve	FP-6136-11-1130		

INT & EXH MANIFOLDS

QTY	INT. & EXH. MANIFOLDS	PART NO.	SIZE	DESCRIPTION
3	Exhaust Manifold Gasket	FP-6135-11-5810		
2	Intake Manifold Gasket	FP-6136-11-4850		

6.5L 396 OHV L6, 4.1338" Bore 81
Excavator

6D105; Build Series 1F; Eng. Ser. No. 50001-Up; Model PC200-1; Model Ser. No. 10001-Up
 6D105; Build Series 1F; Eng. Ser. No. 50001-Up; Model PC200-2; Model Ser. No. 15001-Up
 6D105; Build Series 1F; Eng. Ser. No. 50001-Up; Model PC200LC-2; Model Ser. No. 15001-Up
 6D105; Build Series 1U; Eng. Ser. No. 52271-Up; Model PC150-1; Model Ser. No. 1001-Up
 6D105; Build Series 1U; Eng. Ser. No. 52271-Up; Model PC150LC-1; Model Ser. No. 1001-Up

CAMSHAFT GROUP

QTY	CAMSHAFT/LIFTER	PART NO.	SIZE	DESCRIPTION
12	Lifter	FP-6136-42-2111		

COOLING SYSTEM

QTY	THERMOSTAT	PART NO.	SIZE	DESCRIPTION
1	O-Ring	FP-6136-11-6810		
1	Thermostat	FP-600-421-6210		

QTY	WATER PUMP	PART NO.	SIZE	DESCRIPTION
1	Water Pump - Heavy Duty	FP-6136-61-1102		

CRANKSHAFT/OIL PUMP

QTY	CRANKSHAFT	PART NO.	SIZE	DESCRIPTION
1	Crankshaft	FP-6136-31-1010		

QTY	MAIN BEARINGS	PART NO.	SIZE	DESCRIPTION
1	Main Bearing and Thrust Washer	FP-6136-21-8000		

(continued on next page)

81 6.5L 396 OHV L6, 4.1338" Bore				
(cont.)				
CRANKSHAFT/OIL PUMP (cont.)				
QTY	MAIN BEARINGS (cont.)	PART NO.	SIZE	DESCRIPTION
7	Main Bearing, Flanged	FP-6136-21-8010	STD	
7	Main Bearing, Flanged	FP-6136-29-8010	.25MM	
7	Main Bearing, Flanged	FP-6136-28-8010	.50MM	
7	Main Bearing, Flanged	FP-6136-27-8010	.75MM	
7	Main Bearing, Flanged	FP-6136-26-8010	1.00MM	
1	Thrust Washer	FP-6134-21-8050	STD	
1	Thrust Washer	FP-6134-29-8050	.25MM	
1	Thrust Washer	FP-6134-28-8050	.50MM	
1	Thrust Washer	FP-6136-27-8050	.75MM	
1	Thrust Washer	FP-6136-26-8050	1.00MM	
QTY	OIL PUMP	PART NO.	SIZE	DESCRIPTION
1	Oil Pump	FP-6136-52-1100		
QTY	SEALS - FRONT CRANK	PART NO.	SIZE	DESCRIPTION
1	Oil Seal	FP-6136-22-3510		
QTY	SEALS - REAR CRANK	PART NO.	SIZE	DESCRIPTION
1	Oil Seal	FP-6130-21-4231		
CYL. HEAD & PARTS				
QTY	GASKETS	PART NO.	SIZE	DESCRIPTION
1	Head Gasket	FP-6136-11-1813		
1	Head Gasket Set	FP-6136-K1-9901		
1	Valve Cover Gasket	FP-6136-11-8814		
QTY	PUSH RODS	PART NO.	SIZE	DESCRIPTION
12	Push Rod	FP-6136-42-3120		
QTY	VALVE	PART NO.	SIZE	DESCRIPTION
24	Valve Keeper	FP-6136-42-4520		Int. & Exh.
6	Valve, Exhaust	FP-6136-42-4211	STD	
6	Valve, Intake	FP-6136-42-4110		
QTY	VALVE GUIDE	PART NO.	SIZE	DESCRIPTION
12	Valve Guide	FP-6136-19-1430		
QTY	VALVE SEAT	PART NO.	SIZE	DESCRIPTION
6	Valve Seat	FP-6136-12-1310		Int.
6	Valve Seat	FP-6136-12-1320		Exh.
QTY	VALVE SPRING	PART NO.	SIZE	DESCRIPTION
12	Valve Spring	FP-6136-42-4410		
12	Valve Spring Seat	FP-6136-41-4530		Lower
12	Valve Spring Seat	FP-6136-42-4510		Upper
CYLINDER COMPONENTS				
QTY	CONNECTING RODS & BRGS.	PART NO.	SIZE	DESCRIPTION
6	Connecting Rod Bearing Pair	FP-6138-31-3040	STD	
6	Connecting Rod Bearing Pair	FP-6138-39-3050	.25MM	
6	Connecting Rod Bearing Pair	FP-6138-38-3050	.50MM	
6	Connecting Rod Bearing Pair	FP-6138-37-3050	.75MM	
6	Connecting Rod Bearing Pair	FP-6138-36-3050	1.00MM	
QTY	LINERS	PART NO.	SIZE	DESCRIPTION
6	Cylinder Kit Complete	FP-LK322110		
6	Liner w/o Sealing Ring	FP-6137-22-2210		
6	O-Ring	FP-6136-21-2230		
6	O-Ring	FP-6136-21-2240		
6	Sealing Ring, Liner	FP-6136-21-2220		
QTY	PISTON RINGS	PART NO.	SIZE	DESCRIPTION
6	Ring Set, Single Cylinder	FP-6136-31-2030		
QTY	PISTONS	PART NO.	SIZE	DESCRIPTION
6	Piston Body w/o Pin	FP-6136-32-2110		
6	Piston Kit w/Pin & Retainers	FP-6136-32-2010		
6	Piston Pin	FP-6136-31-2410		
6	Piston Pin Bushing	FP-6136-32-3130		
12	Piston Pin Retainer	FP-04065-04018		
ENGINE BLOCK & PARTS				
QTY	CAM BEARINGS	PART NO.	SIZE	DESCRIPTION
4	Camshaft Bearing	FP-6136-21-1410		

(continued on next page)

6.5L 396 OHV L6, 4.1338" Bore 81
(cont.)

ENGINE BLOCK & PARTS (cont.)

QTY	GASKET SETS	PART NO.	SIZE	DESCRIPTION
1	Conversion Gasket Set	FP-6136-K2-9901		

QTY	GASKETS	PART NO.	SIZE	DESCRIPTION
1	Oil Pan Gasket	FP-6136-21-5821		

FUEL SYSTEM & PARTS

QTY	FUEL INJECTION	PART NO.	SIZE	DESCRIPTION
6	Fuel Injector Sleeve	FP-6136-11-1130		

INT & EXH MANIFOLDS

QTY	INT. & EXH. MANIFOLDS	PART NO.	SIZE	DESCRIPTION
3	Exhaust Manifold Gasket	FP-6135-11-5810		
2	Intake Manifold Gasket	FP-6136-11-4850		

6.5L 396 OHV L6, 4.1338" Bore 82
Excavator

6D105; Build Series 1F; From Eng. Ser. No. 12218 to 49999; Model PC200-1; Model Ser. No. 10001-Up
6D105; Build Series 1F; From Eng. Ser. No. 12218 to 49999; Model PC200-2; Model Ser. No. 15001-Up
6D105; Build Series 1F; From Eng. Ser. No. 12218 to 49999; Model PC200LC-2; Model Ser. No. 15001-Up

CAMSHAFT GROUP

QTY	CAMSHAFT/LIFTER	PART NO.	SIZE	DESCRIPTION
12	Lifter	FP-6136-42-2111		

COOLING SYSTEM

QTY	THERMOSTAT	PART NO.	SIZE	DESCRIPTION
1	O-Ring	FP-6136-11-6810		
1	Thermostat	FP-600-421-6210		

QTY	WATER PUMP	PART NO.	SIZE	DESCRIPTION
1	Water Pump - Heavy Duty	FP-6136-61-1102		

CRANKSHAFT/OIL PUMP

QTY	CRANKSHAFT	PART NO.	SIZE	DESCRIPTION
1	Crankshaft	FP-6136-31-1010		

QTY	MAIN BEARINGS	PART NO.	SIZE	DESCRIPTION
1	Main Bearing and Thrust Washer	FP-6136-21-8000		
7	Main Bearing, Flanged	FP-6136-21-8010	STD	
7	Main Bearing, Flanged	FP-6136-29-8010	.25MM	
7	Main Bearing, Flanged	FP-6136-28-8010	.50MM	
7	Main Bearing, Flanged	FP-6136-27-8010	.75MM	
7	Main Bearing, Flanged	FP-6136-26-8010	1.00MM	
1	Thrust Washer	FP-6134-21-8050	STD	
1	Thrust Washer	FP-6134-29-8050	.25MM	
1	Thrust Washer	FP-6134-28-8050	.50MM	
1	Thrust Washer	FP-6136-27-8050	.75MM	
1	Thrust Washer	FP-6136-26-8050	1.00MM	

QTY	OIL PUMP	PART NO.	SIZE	DESCRIPTION
1	Oil Pump	FP-6136-51-1002		

QTY	SEALS - FRONT CRANK	PART NO.	SIZE	DESCRIPTION
1	Oil Seal	FP-6136-22-3510		

QTY	SEALS - REAR CRANK	PART NO.	SIZE	DESCRIPTION
1	Oil Seal	FP-6130-22-4231		

CYL. HEAD & PARTS

QTY	GASKETS	PART NO.	SIZE	DESCRIPTION
1	Head Gasket	FP-6137-12-1811		
1	Head Gasket Set	FP-6136-K1-9901		
1	Valve Cover Gasket	FP-6136-11-8814		

QTY	PUSH RODS	PART NO.	SIZE	DESCRIPTION
12	Push Rod	FP-6136-42-3120		

QTY	VALVE	PART NO.	SIZE	DESCRIPTION
24	Valve Keeper	FP-6136-41-4520		Int. & Exh.
6	Valve, Exhaust	FP-6136-41-4211		
6	Valve, Intake	FP-6136-41-4110		

QTY	VALVE GUIDE	PART NO.	SIZE	DESCRIPTION
12	Valve Guide	FP-6136-19-1331		

(continued on next page)

82 6.5L 396 OHV L6, 4.1338" Bore (cont.)

CYL. HEAD & PARTS (cont.)

QTY	VALVE SEAT	PART NO.	SIZE	DESCRIPTION
6	Valve Seat	FP-6134-11-1320		Exh.
6	Valve Seat	FP-6136-11-1311		Int.
QTY	VALVE SPRING	PART NO.	SIZE	DESCRIPTION
12	Valve Spring	FP-6136-41-4410		
12	Valve Spring Seat	FP-6136-41-4510		Upper
12	Valve Spring Seat	FP-6136-41-4530		Lower

CYLINDER COMPONENTS

QTY	CONNECTING RODS & BRGS.	PART NO.	SIZE	DESCRIPTION
6	Connecting Rod Bearing Pair	FP-6138-31-3040	STD	
6	Connecting Rod Bearing Pair	FP-6138-39-3050	.25MM	
6	Connecting Rod Bearing Pair	FP-6138-38-3050	.50MM	
6	Connecting Rod Bearing Pair	FP-6138-37-3050	.75MM	
6	Connecting Rod Bearing Pair	FP-6138-36-3050	1.00MM	

QTY	LINERS	PART NO.	SIZE	DESCRIPTION
6	Cylinder Kit Complete	FP-LK62112		
6	Liner w/o Sealing Ring	FP-6137-22-2210		
6	O-Ring	FP-6136-21-2230		
6	O-Ring	FP-6136-21-2240		
6	Sealing Ring, Liner	FP-6136-21-2220		

QTY	PISTON RINGS	PART NO.	SIZE	DESCRIPTION
6	Ring Set, Single Cylinder	FP-6136-31-2030		

QTY	PISTONS	PART NO.	SIZE	DESCRIPTION
6	Piston Body w/o Pin	FP-6136-31-2112		
6	Piston Kit w/Pin & Retainers	FP-6136-31-2012		
6	Piston Pin	FP-6136-31-2410		
6	Piston Pin Bushing	FP-6136-31-3130		
12	Piston Pin Retainer	FP-04065-04018		

ENGINE BLOCK & PARTS

QTY	CAM BEARINGS	PART NO.	SIZE	DESCRIPTION
4	Camshaft Bearing	FP-6136-21-1410		

QTY	GASKET SETS	PART NO.	SIZE	DESCRIPTION
1	Conversion Gasket Set	FP-6136-K2-9901		

QTY	GASKETS	PART NO.	SIZE	DESCRIPTION
1	Oil Pan Gasket	FP-6136-21-5821		

FUEL SYSTEM & PARTS

QTY	FUEL INJECTION	PART NO.	SIZE	DESCRIPTION
6	Fuel Injector Sleeve	FP-6136-11-1130		

INT & EXH MANIFOLDS

QTY	INT. & EXH. MANIFOLDS	PART NO.	SIZE	DESCRIPTION
3	Exhaust Manifold Gasket	FP-6135-11-5810		
2	Intake Manifold Gasket	FP-6136-11-4850		

83 6.5L 396 OHV L6, 4.1338" Bore Excavator S6D105; Build Series 1G; From Eng. Ser. No. 12124 to 49999; Model PC220-2; Model Ser. No. 11001-Up S6D105; Build Series 1G; From Eng. Ser. No. 12124 to 49999; Model PC220LC-2; Model Ser. No. 11001-Up

CAMSHAFT GROUP

QTY	CAMSHAFT/LIFTER	PART NO.	SIZE	DESCRIPTION
12	Lifter	FP-6136-42-2111		

COOLING SYSTEM

QTY	THERMOSTAT	PART NO.	SIZE	DESCRIPTION
1	O-Ring	FP-6136-11-6810		
1	Thermostat	FP-600-421-6210		

QTY	WATER PUMP	PART NO.	SIZE	DESCRIPTION
1	Water Pump - Heavy Duty	FP-6136-61-1601		
1	Water Pump - Heavy Duty	FP-6136-61-1701		Sandy/Dusty

(continued on next page)

CRANKSHAFT/OIL PUMP				
QTY	CRANKSHAFT	PART NO.	SIZE	DESCRIPTION
1	Crankshaft	FP-6136-31-1010		
QTY	MAIN BEARINGS	PART NO.	SIZE	DESCRIPTION
1	Main Bearing and Thrust Washer	FP-6136-21-8000		
7	Main Bearing, Flanged	FP-6136-21-8010	STD	
7	Main Bearing, Flanged	FP-6136-29-8010	.25MM	
7	Main Bearing, Flanged	FP-6136-28-8010	.50MM	
7	Main Bearing, Flanged	FP-6136-27-8010	.75MM	
7	Main Bearing, Flanged	FP-6136-26-8010	1.00MM	
1	Thrust Washer	FP-6134-21-8050	STD	
1	Thrust Washer	FP-6134-29-8050	.25MM	
1	Thrust Washer	FP-6134-28-8050	.50MM	
1	Thrust Washer	FP-6136-27-8050	.75MM	
1	Thrust Washer	FP-6136-26-8050	1.00MM	
QTY	OIL PUMP	PART NO.	SIZE	DESCRIPTION
1	Oil Pump	FP-6136-51-1002		
QTY	SEALS - FRONT CRANK	PART NO.	SIZE	DESCRIPTION
1	Oil Seal	FP-6136-22-3510		
QTY	SEALS - REAR CRANK	PART NO.	SIZE	DESCRIPTION
1	Oil Seal	FP-6130-21-4231		
CYL. HEAD & PARTS				
QTY	GASKETS	PART NO.	SIZE	DESCRIPTION
1	Head Gasket	FP-6136-11-1813		
1	Head Gasket Set	FP-6137-K1-9901		
1	Valve Cover Gasket	FP-6136-11-8814		
QTY	PUSH RODS	PART NO.	SIZE	DESCRIPTION
12	Push Rod	FP-6136-42-3120		
QTY	VALVE	PART NO.	SIZE	DESCRIPTION
24	Valve Keeper	FP-6136-41-4520		Int. & Exh.
6	Valve, Exhaust	FP-6136-41-4211		
6	Valve, Intake	FP-6136-41-4110		
QTY	VALVE GUIDE	PART NO.	SIZE	DESCRIPTION
12	Valve Guide	FP-6136-19-1331		
QTY	VALVE SEAT	PART NO.	SIZE	DESCRIPTION
6	Valve Seat	FP-6134-11-1320		Exh.
6	Valve Seat	FP-6136-11-1311		Int.
QTY	VALVE SPRING	PART NO.	SIZE	DESCRIPTION
12	Valve Spring	FP-6136-41-4410		
12	Valve Spring Seat	FP-6136-41-4530		Lower
12	Valve Spring Seat	FP-6136-42-4510		Upper
CYLINDER COMPONENTS				
QTY	CONNECTING RODS & BRGS.	PART NO.	SIZE	DESCRIPTION
6	Connecting Rod Bearing Pair	FP-6138-31-3040	STD	
6	Connecting Rod Bearing Pair	FP-6138-39-3050	.25MM	
6	Connecting Rod Bearing Pair	FP-6138-38-3050	.50MM	
6	Connecting Rod Bearing Pair	FP-6138-37-3050	.75MM	
6	Connecting Rod Bearing Pair	FP-6138-36-3050	1.00MM	
QTY	LINERS	PART NO.	SIZE	DESCRIPTION
6	Cylinder Kit Complete	FP-LK312112		
6	Liner w/o Sealing Ring	FP-6137-22-2210		
6	O-Ring	FP-6136-21-2230		
6	O-Ring	FP-6136-21-2240		
6	Sealing Ring, Liner	FP-6136-21-2220		
QTY	PISTON RINGS	PART NO.	SIZE	DESCRIPTION
6	Ring Set, Single Cylinder	FP-6137-31-2032		
QTY	PISTONS	PART NO.	SIZE	DESCRIPTION
6	Piston Body w/o Pin	FP-6137-31-2112		
6	Piston Kit w/Pin & Retainers	FP-6137-31-2012		
6	Piston Pin	FP-6137-31-2410		
6	Piston Pin Bushing	FP-6136-31-3130		
12	Piston Pin Retainer	FP-04065-04018		

(continued on next page)

83 6.5L 396 OHV L6, 4.1338" Bore				
ENGINE BLOCK & PARTS				
QTY	CAM BEARINGS	PART NO.	SIZE	DESCRIPTION
4	Camshaft Bearing	FP-6136-21-1410		
QTY	GASKET SETS	PART NO.	SIZE	DESCRIPTION
1	Conversion Gasket Set	FP-6137-K2-9901		
QTY	GASKETS	PART NO.	SIZE	DESCRIPTION
1	Oil Pan Gasket	FP-6136-21-5821		
FUEL SYSTEM & PARTS				
QTY	FUEL INJECTION	PART NO.	SIZE	DESCRIPTION
6	Fuel Injector Sleeve	FP-6136-11-1130		
INT & EXH MANIFOLDS				
QTY	INT. & EXH. MANIFOLDS	PART NO.	SIZE	DESCRIPTION
3	Exhaust Manifold Gasket	FP-6135-11-5810		
2	Intake Manifold Gasket	FP-6136-11-4850		
84 6.5L 396 OHV L6, 4.1338" Bore				
<i>Excavator</i>				
S6D105; Build Series 1G; Eng. Ser. No. 50001-Up; Model PC220-2; Model Ser. No. 11001-Up				
S6D105; Build Series 1G; Eng. Ser. No. 50001-Up; Model PC220LC-2; Model Ser. No. 11001-Up				
CAMSHAFT GROUP				
QTY	CAMSHAFT/LIFTER	PART NO.	SIZE	DESCRIPTION
12	Lifter	FP-6136-42-2111		
COOLING SYSTEM				
QTY	THERMOSTAT	PART NO.	SIZE	DESCRIPTION
1	O-Ring	FP-6136-11-6810		
1	Thermostat	FP-600-421-6210		
QTY	WATER PUMP	PART NO.	SIZE	DESCRIPTION
1	Water Pump - Heavy Duty	FP-6136-61-1601		
1	Water Pump - Heavy Duty	FP-6136-61-1701		Sandy/Dusty
CRANKSHAFT/OIL PUMP				
QTY	CRANKSHAFT	PART NO.	SIZE	DESCRIPTION
1	Crankshaft	FP-6136-31-1010		
QTY	MAIN BEARINGS	PART NO.	SIZE	DESCRIPTION
1	Main Bearing and Thrust Washer	FP-6136-21-8000		
7	Main Bearing, Flanged	FP-6136-21-8010	STD	
7	Main Bearing, Flanged	FP-6136-29-8010	.25MM	
7	Main Bearing, Flanged	FP-6136-28-8010	.50MM	
7	Main Bearing, Flanged	FP-6136-27-8010	.75MM	
7	Main Bearing, Flanged	FP-6136-26-8010	1.00MM	
1	Thrust Washer	FP-6134-21-8050	STD	
1	Thrust Washer	FP-6134-29-8050	.25MM	
1	Thrust Washer	FP-6134-28-8050	.50MM	
1	Thrust Washer	FP-6136-27-8050	.75MM	
1	Thrust Washer	FP-6136-26-8050	1.00MM	
QTY	OIL PUMP	PART NO.	SIZE	DESCRIPTION
1	Oil Pump	FP-6136-52-1100		
QTY	SEALS - FRONT CRANK	PART NO.	SIZE	DESCRIPTION
1	Oil Seal	FP-6136-22-3510		
QTY	SEALS - REAR CRANK	PART NO.	SIZE	DESCRIPTION
1	Oil Seal	FP-6130-21-4231		
CYL. HEAD & PARTS				
QTY	GASKETS	PART NO.	SIZE	DESCRIPTION
1	Head Gasket	FP-6136-11-1814		
1	Head Gasket Set	FP-6137-K1-9901		
1	Valve Cover Gasket	FP-6136-11-8812		
QTY	PUSH RODS	PART NO.	SIZE	DESCRIPTION
12	Push Rod	FP-6136-42-3120		
QTY	VALVE	PART NO.	SIZE	DESCRIPTION
24	Valve Keeper	FP-6136-42-4520		Int. & Exh.
6	Valve, Exhaust	FP-6136-42-4211	STD	
6	Valve, Intake	FP-6136-42-4110		

(continued on next page)

6.5L 396 OHV L6, 4.1338" Bore **84**
(cont.)

CYL. HEAD & PARTS (cont.)

QTY	VALVE GUIDE	PART NO.	SIZE	DESCRIPTION
12	Valve Guide	FP-6136-19-1430		
QTY	VALVE SEAT	PART NO.	SIZE	DESCRIPTION
6	Valve Seat	FP-6136-12-1310		Int.
6	Valve Seat	FP-6136-12-1320		Exh.
QTY	VALVE SPRING	PART NO.	SIZE	DESCRIPTION
12	Valve Spring	FP-6136-42-4410		
12	Valve Spring Seat	FP-6136-41-4530		Lower
12	Valve Spring Seat	FP-6136-42-4510		Upper

CYLINDER COMPONENTS

QTY	CONNECTING RODS & BRGS.	PART NO.	SIZE	DESCRIPTION
6	Connecting Rod Bearing Pair	FP-6138-31-3040	STD	
6	Connecting Rod Bearing Pair	FP-6138-39-3050	.25MM	
6	Connecting Rod Bearing Pair	FP-6138-38-3050	.50MM	
6	Connecting Rod Bearing Pair	FP-6138-37-3050	.75MM	
6	Connecting Rod Bearing Pair	FP-6138-36-3050	1.00MM	
QTY	LINERS	PART NO.	SIZE	DESCRIPTION
6	Cylinder Kit Complete	FP-LK72110		
6	Liner w/o Sealing Ring	FP-6137-22-2210		
6	O-Ring	FP-6136-21-2230		
6	O-Ring	FP-6136-21-2240		
6	Sealing Ring, Liner	FP-6136-21-2220		
QTY	PISTON RINGS	PART NO.	SIZE	DESCRIPTION
6	Ring Set, Single Cylinder	FP-6137-31-2032		
QTY	PISTONS	PART NO.	SIZE	DESCRIPTION
6	Piston Body w/o Pin	FP-6137-32-2110		
6	Piston Kit w/Pin & Retainers	FP-6137-32-2010		
6	Piston Pin	FP-6137-31-2410		
6	Piston Pin Bushing	FP-6136-32-3130		
12	Piston Pin Retainer	FP-04065-04018		

ENGINE BLOCK & PARTS

QTY	CAM BEARINGS	PART NO.	SIZE	DESCRIPTION
4	Camshaft Bearing	FP-6136-21-1410		
QTY	GASKET SETS	PART NO.	SIZE	DESCRIPTION
1	Conversion Gasket Set	FP-6137-K2-9901		
QTY	GASKETS	PART NO.	SIZE	DESCRIPTION
1	Oil Pan Gasket	FP-6136-21-5821		

FUEL SYSTEM & PARTS

QTY	FUEL INJECTION	PART NO.	SIZE	DESCRIPTION
6	Fuel Injector Sleeve	FP-6136-11-1130		

INT & EXH MANIFOLDS

QTY	INT. & EXH. MANIFOLDS	PART NO.	SIZE	DESCRIPTION
3	Exhaust Manifold Gasket	FP-6135-11-5810		
2	Intake Manifold Gasket	FP-6136-11-4850		

85 6.5L 396 OHV L6, 4.1338" Bore

Excavator

S6D105; Build Series 1B; Eng. Ser. No. 97284-Up; Model PC210-3; Model Ser. No. K10001-Up
 S6D105; Build Series 1B; Eng. Ser. No. 97284-Up; Model PC210LC-3; Model Ser. No. K10001-Up
 S6D105; Build Series 1VV; Eng. Ser. No. 86432-Up; Model PW210-1; Model Ser. No. 10001-Up
 S6D105; Build Series 1Z; Eng. Ser. No. 62361-Up; Model PC220-3; Model Ser. No. 20001-Up
 S6D105; Build Series 1Z; Eng. Ser. No. 62361-Up; Model PC220LC-3; Model Ser. No. 20001-Up
 S6D105; Build Series 1Z; Eng. Ser. No. 62361-Up; Model PC220NLC-3; Model Ser. No. 20001-Up
 S6D105; Build Series 1Z; Eng. Ser. No. 97407-Up; Model PC240-3K; Model Ser. No. K10001-Up
 S6D105; Build Series 1Z; Eng. Ser. No. 97407-Up; Model PC240LC-3K; Model Ser. No. K10001-Up
 S6D105; Build Series 1Z; Eng. Ser. No. 97407-Up; Model PC240NLC-3K; Model Ser. No. K10001-Up
 S6D105; Build Series B-1A; Eng. Ser. No. 61481-Up; Model PC200-3; Model Ser. No. 20001-Up
 S6D105; Build Series B-1A; Eng. Ser. No. 61481-Up; Model PC200LC-3; Model Ser. No. 20001-Up
 S6D105; Build Series B-1A; Eng. Ser. No. 78966-Up; Model PF55L-1; Model Ser. No. 10001-Up

CAMSHAFT GROUP

QTY	CAMSHAFT/LIFTER	PART NO.	SIZE	DESCRIPTION
12	Lifter	FP-6136-42-2111		

COOLING SYSTEM

QTY	THERMOSTAT	PART NO.	SIZE	DESCRIPTION
1	O-Ring	FP-6136-11-6810		
1	Thermostat	FP-600-421-6210		
QTY	WATER PUMP	PART NO.	SIZE	DESCRIPTION
1	Water Pump - Heavy Duty	FP-6136-62-1100		

CRANKSHAFT/OIL PUMP

QTY	CRANKSHAFT	PART NO.	SIZE	DESCRIPTION
1	Crankshaft	FP-6136-31-1010		
QTY	MAIN BEARINGS	PART NO.	SIZE	DESCRIPTION
1	Main Bearing and Thrust Washer	FP-6136-21-8000		
7	Main Bearing, Flanged	FP-6136-21-8010	STD	
7	Main Bearing, Flanged	FP-6136-29-8010	.25MM	
7	Main Bearing, Flanged	FP-6136-28-8010	.50MM	
7	Main Bearing, Flanged	FP-6136-27-8010	.75MM	
7	Main Bearing, Flanged	FP-6136-26-8010	1.00MM	
1	Thrust Washer	FP-6134-21-8050	STD	
1	Thrust Washer	FP-6134-29-8050	.25MM	
1	Thrust Washer	FP-6134-28-8050	.50MM	
1	Thrust Washer	FP-6136-27-8050	.75MM	
1	Thrust Washer	FP-6136-26-8050	1.00MM	
QTY	OIL PUMP	PART NO.	SIZE	DESCRIPTION
1	Oil Pump	FP-6136-52-1100		
QTY	SEALS - FRONT CRANK	PART NO.	SIZE	DESCRIPTION
1	Oil Seal	FP-6136-22-3510		
QTY	SEALS - REAR CRANK	PART NO.	SIZE	DESCRIPTION
1	Oil Seal	FP-6130-22-4231		

CYL. HEAD & PARTS

QTY	GASKETS	PART NO.	SIZE	DESCRIPTION
1	Head Gasket	FP-6136-11-1813		
1	Head Gasket Set	FP-6137-K1-9901		
1	Valve Cover Gasket	FP-6136-11-8814		
QTY	PUSH RODS	PART NO.	SIZE	DESCRIPTION
12	Push Rod	FP-6136-42-3120		
QTY	VALVE	PART NO.	SIZE	DESCRIPTION
24	Valve Keeper	FP-6136-42-4520		Int. & Exh.
6	Valve, Exhaust	FP-6136-42-4211	STD	
6	Valve, Intake	FP-6138-42-4110	STD	
QTY	VALVE GUIDE	PART NO.	SIZE	DESCRIPTION
12	Valve Guide	FP-6136-19-1430		
QTY	VALVE SEAT	PART NO.	SIZE	DESCRIPTION
6	Valve Seat	FP-6136-12-1320		Exh.
6	Valve Seat	FP-6138-12-1310		Int.
QTY	VALVE SPRING	PART NO.	SIZE	DESCRIPTION
12	Valve Spring	FP-6136-42-4410		
12	Valve Spring Seat	FP-6136-41-4530		Lower
12	Valve Spring Seat	FP-6136-42-4510		Upper

(continued on next page)

6.5L 396 OHV L6, 4.1338" Bore 85
(cont.)

CYLINDER COMPONENTS

CONNECTING RODS & BRGS.				
QTY		PART NO.	SIZE	DESCRIPTION
6	Connecting Rod Bearing Pair	FP-6138-31-3040	STD	
6	Connecting Rod Bearing Pair	FP-6138-39-3050	.25MM	
6	Connecting Rod Bearing Pair	FP-6138-38-3050	.50MM	
6	Connecting Rod Bearing Pair	FP-6138-37-3050	.75MM	
6	Connecting Rod Bearing Pair	FP-6138-36-3050	1.00MM	
LINERS				
QTY		PART NO.	SIZE	DESCRIPTION
6	Cylinder Kit Complete	FP-LK372110		
6	Liner w/o Sealing Ring	FP-6137-22-2210		
6	O-Ring	FP-6136-21-2230		
6	O-Ring	FP-6136-21-2240		
6	Sealing Ring, Liner	FP-6136-21-2220		
PISTON RINGS				
QTY		PART NO.	SIZE	DESCRIPTION
6	Ring Set, Single Cylinder	FP-6137-31-2040		
PISTONS				
QTY		PART NO.	SIZE	DESCRIPTION
6	Piston Body w/o Pin	FP-6137-32-2110		
6	Piston Kit w/Pin & Retainers	FP-6137-32-2010		
6	Piston Pin	FP-6137-31-2410		
6	Piston Pin Bushing	FP-6136-32-3130		
12	Piston Pin Retainer	FP-04065-04018		

ENGINE BLOCK & PARTS

CAM BEARINGS				
QTY		PART NO.	SIZE	DESCRIPTION
4	Camshaft Bearing	FP-6136-21-1410		
GASKET SETS				
QTY		PART NO.	SIZE	DESCRIPTION
1	Conversion Gasket Set	FP-6137-K2-9901		
GASKETS				
QTY		PART NO.	SIZE	DESCRIPTION
1	Oil Pan Gasket	FP-6136-21-5821		

FUEL SYSTEM & PARTS

FUEL INJECTION				
QTY		PART NO.	SIZE	DESCRIPTION
6	Fuel Injector Sleeve	FP-6136-11-1130		

INT & EXH MANIFOLDS

INT. & EXH. MANIFOLDS				
QTY		PART NO.	SIZE	DESCRIPTION
3	Exhaust Manifold Gasket	FP-6135-11-5810		
2	Intake Manifold Gasket	FP-6136-11-4850		

6.5L 396 OHV L6, 4.1338" Bore 86
Grader

6D105; Build Series 1P; From Eng. Ser. No. 16877 to 49999; Model GD405A-1; Model Ser. No. 16877-Up

CAMSHAFT GROUP

CAMSHAFT/LIFTER				
QTY		PART NO.	SIZE	DESCRIPTION
12	Lifter	FP-6136-42-2111		

COOLING SYSTEM

THERMOSTAT				
QTY		PART NO.	SIZE	DESCRIPTION
1	O-Ring	FP-6136-11-6810		
1	Thermostat	FP-600-421-6210		
WATER PUMP				
QTY		PART NO.	SIZE	DESCRIPTION
1	Water Pump - Heavy Duty	FP-6136-61-1102		

CRANKSHAFT/OIL PUMP

CRANKSHAFT				
QTY		PART NO.	SIZE	DESCRIPTION
1	Crankshaft	FP-6136-31-1010		
MAIN BEARINGS				
QTY		PART NO.	SIZE	DESCRIPTION
1	Main Bearing and Thrust Washer	FP-6136-21-8000		
7	Main Bearing, Flanged	FP-6136-21-8010	STD	
7	Main Bearing, Flanged	FP-6136-29-8010	.25MM	
7	Main Bearing, Flanged	FP-6136-28-8010	.50MM	
7	Main Bearing, Flanged	FP-6136-27-8010	.75MM	
7	Main Bearing, Flanged	FP-6136-26-8010	1.00MM	
1	Thrust Washer	FP-6134-21-8050	STD	
1	Thrust Washer	FP-6134-29-8050	.25MM	
1	Thrust Washer	FP-6134-28-8050	.50MM	

(continued on next page)

86 6.5L 396 OHV L6, 4.1338" Bore				
(cont.)				
CRANKSHAFT/OIL PUMP (cont.)				
QTY	MAIN BEARINGS (cont.)	PART NO.	SIZE	DESCRIPTION
1	Thrust Washer	FP-6136-27-8050	.75MM	
1	Thrust Washer	FP-6136-26-8050	1.00MM	
QTY	OIL PUMP	PART NO.	SIZE	DESCRIPTION
1	Oil Pump	FP-6136-51-1002		
QTY	SEALS - FRONT CRANK	PART NO.	SIZE	DESCRIPTION
1	Oil Seal	FP-6136-22-3510		
QTY	SEALS - REAR CRANK	PART NO.	SIZE	DESCRIPTION
1	Oil Seal	FP-6130-21-4231		
CYL. HEAD & PARTS				
QTY	GASKETS	PART NO.	SIZE	DESCRIPTION
1	Head Gasket	FP-6137-12-1811		
1	Head Gasket Set	FP-6136-K1-9901		
1	Valve Cover Gasket	FP-6136-11-8814		
QTY	PUSH RODS	PART NO.	SIZE	DESCRIPTION
12	Push Rod	FP-6136-42-3120		
QTY	VALVE	PART NO.	SIZE	DESCRIPTION
24	Valve Keeper	FP-6136-41-4520		Int. & Exh.
6	Valve, Exhaust	FP-6136-41-4211		
6	Valve, Intake	FP-6136-41-4110		
QTY	VALVE GUIDE	PART NO.	SIZE	DESCRIPTION
12	Valve Guide	FP-6136-19-1331		
QTY	VALVE SEAT	PART NO.	SIZE	DESCRIPTION
6	Valve Seat	FP-6134-11-1320		Exh.
6	Valve Seat	FP-6136-11-1311		Int.
QTY	VALVE SPRING	PART NO.	SIZE	DESCRIPTION
12	Valve Spring	FP-6136-41-4410		
12	Valve Spring Seat	FP-6136-41-4510		Upper
12	Valve Spring Seat	FP-6136-41-4530		Lower
CYLINDER COMPONENTS				
QTY	CONNECTING RODS & BRGS.	PART NO.	SIZE	DESCRIPTION
6	Connecting Rod Bearing Pair	FP-6138-31-3040		STD
6	Connecting Rod Bearing Pair	FP-6138-39-3050	.25MM	
6	Connecting Rod Bearing Pair	FP-6138-38-3050	.50MM	
6	Connecting Rod Bearing Pair	FP-6138-37-3050	.75MM	
6	Connecting Rod Bearing Pair	FP-6138-36-3050	1.00MM	
QTY	LINERS	PART NO.	SIZE	DESCRIPTION
6	Cylinder Kit Complete	FP-LK62112		
6	Liner w/o Sealing Ring	FP-6137-22-2210		
6	O-Ring	FP-6136-21-2230		
6	O-Ring	FP-6136-21-2240		
6	Sealing Ring, Liner	FP-6136-21-2220		
QTY	PISTON RINGS	PART NO.	SIZE	DESCRIPTION
6	Ring Set, Single Cylinder	FP-6136-31-2030		
QTY	PISTONS	PART NO.	SIZE	DESCRIPTION
6	Piston Body w/o Pin	FP-6136-31-2112		
6	Piston Kit w/Pin & Retainers	FP-6136-31-2012		
6	Piston Pin	FP-6136-31-2410		
6	Piston Pin Bushing	FP-6136-31-3130		
12	Piston Pin Retainer	FP-04065-04018		
ENGINE BLOCK & PARTS				
QTY	CAM BEARINGS	PART NO.	SIZE	DESCRIPTION
4	Camshaft Bearing	FP-6136-21-1410		
QTY	GASKET SETS	PART NO.	SIZE	DESCRIPTION
1	Conversion Gasket Set	FP-6136-K2-9901		
QTY	GASKETS	PART NO.	SIZE	DESCRIPTION
1	Oil Pan Gasket	FP-6136-21-5821		
FUEL SYSTEM & PARTS				
QTY	FUEL INJECTION	PART NO.	SIZE	DESCRIPTION
6	Fuel Injector Sleeve	FP-6136-11-1130		

(continued on next page)

6.5L 396 OHV L6, 4.1338" Bore 86
(cont.)

INT & EXH MANIFOLDS

QTY	INT. & EXH. MANIFOLDS	PART NO.	SIZE	DESCRIPTION
3	Exhaust Manifold Gasket	FP-6135-11-5810		
2	Intake Manifold Gasket	FP-6136-11-4850		

6.5L 396 OHV L6, 4.1338" Bore 87
Grader

6D105; Build Series 1P; Eng. Ser. No. 50001-Up; Model GD405A-1; Model Ser. No. 16877-Up

CAMSHAFT GROUP

QTY	CAMSHAFT/LIFTER	PART NO.	SIZE	DESCRIPTION
12	Lifter	FP-6136-42-2111		

COOLING SYSTEM

QTY	THERMOSTAT	PART NO.	SIZE	DESCRIPTION
1	O-Ring	FP-6136-11-6810		
1	Thermostat	FP-600-421-6210		

QTY	WATER PUMP	PART NO.	SIZE	DESCRIPTION
1	Water Pump - Heavy Duty	FP-6136-61-1102		

CRANKSHAFT/OIL PUMP

QTY	CRANKSHAFT	PART NO.	SIZE	DESCRIPTION
1	Crankshaft	FP-6136-31-1010		

QTY	MAIN BEARINGS	PART NO.	SIZE	DESCRIPTION
1	Main Bearing and Thrust Washer	FP-6136-21-8000		
7	Main Bearing, Flanged	FP-6136-21-8010	STD	
7	Main Bearing, Flanged	FP-6136-29-8010	.25MM	
7	Main Bearing, Flanged	FP-6136-28-8010	.50MM	
7	Main Bearing, Flanged	FP-6136-27-8010	.75MM	
7	Main Bearing, Flanged	FP-6136-26-8010	1.00MM	
1	Thrust Washer	FP-6134-21-8050	STD	
1	Thrust Washer	FP-6134-29-8050	.25MM	
1	Thrust Washer	FP-6134-28-8050	.50MM	
1	Thrust Washer	FP-6136-27-8050	.75MM	
1	Thrust Washer	FP-6136-26-8050	1.00MM	

QTY	OIL PUMP	PART NO.	SIZE	DESCRIPTION
1	Oil Pump	FP-6136-52-1100		

QTY	SEALS - FRONT CRANK	PART NO.	SIZE	DESCRIPTION
1	Oil Seal	FP-6136-22-3510		

QTY	SEALS - REAR CRANK	PART NO.	SIZE	DESCRIPTION
1	Oil Seal	FP-6130-21-4231		

CYL. HEAD & PARTS

QTY	GASKETS	PART NO.	SIZE	DESCRIPTION
1	Head Gasket	FP-6136-11-1813		
1	Head Gasket Set	FP-6136-K1-9901		
1	Valve Cover Gasket	FP-6136-11-8814		

QTY	PUSH RODS	PART NO.	SIZE	DESCRIPTION
12	Push Rod	FP-6136-42-3120		

QTY	VALVE	PART NO.	SIZE	DESCRIPTION
24	Valve Keeper	FP-6136-42-4520		Int. & Exh.
6	Valve, Exhaust	FP-6136-42-4211	STD	
6	Valve, Intake	FP-6136-42-4110		

QTY	VALVE GUIDE	PART NO.	SIZE	DESCRIPTION
12	Valve Guide	FP-6136-19-1430		

QTY	VALVE SEAT	PART NO.	SIZE	DESCRIPTION
6	Valve Seat	FP-6136-12-1310		Int.
6	Valve Seat	FP-6136-12-1320		Exh.

QTY	VALVE SPRING	PART NO.	SIZE	DESCRIPTION
12	Valve Spring	FP-6136-42-4410		
12	Valve Spring Seat	FP-6136-41-4530		Lower
12	Valve Spring Seat	FP-6136-42-4510		Upper

CYLINDER COMPONENTS

QTY	CONNECTING RODS & BRGS.	PART NO.	SIZE	DESCRIPTION
6	Connecting Rod Bearing Pair	FP-6138-31-3040	STD	

(continued on next page)

87 6.5L 396 OHV L6, 4.1338" Bore

(cont.)

CYLINDER COMPONENTS (cont.)

CONNECTING RODS & BRGS. (cont.)				
QTY		PART NO.	SIZE	DESCRIPTION
6	Connecting Rod Bearing Pair	FP-6138-39-3050	.25MM	
6	Connecting Rod Bearing Pair	FP-6138-38-3050	.50MM	
6	Connecting Rod Bearing Pair	FP-6138-37-3050	.75MM	
6	Connecting Rod Bearing Pair	FP-6138-36-3050	1.00MM	
LINERS				
QTY		PART NO.	SIZE	DESCRIPTION
6	Cylinder Kit Complete	FP-LK322110		
6	Liner w/o Sealing Ring	FP-6137-22-2210		
6	O-Ring	FP-6136-21-2230		
6	O-Ring	FP-6136-21-2240		
6	Sealing Ring, Liner	FP-6136-21-2220		
PISTON RINGS				
QTY		PART NO.	SIZE	DESCRIPTION
6	Ring Set, Single Cylinder	FP-6136-31-2030		
PISTONS				
QTY		PART NO.	SIZE	DESCRIPTION
6	Piston Body w/o Pin	FP-6136-32-2110		
6	Piston Kit w/Pin & Retainers	FP-6136-32-2010		
6	Piston Pin	FP-6136-31-2410		
6	Piston Pin Bushing	FP-6136-32-3130		
12	Piston Pin Retainer	FP-04065-04018		
ENGINE BLOCK & PARTS				
CAM BEARINGS				
QTY		PART NO.	SIZE	DESCRIPTION
4	Camshaft Bearing	FP-6136-21-1410		
GASKET SETS				
QTY		PART NO.	SIZE	DESCRIPTION
1	Conversion Gasket Set	FP-6136-K2-9901		
GASKETS				
QTY		PART NO.	SIZE	DESCRIPTION
1	Oil Pan Gasket	FP-6136-21-5821		
FUEL SYSTEM & PARTS				
FUEL INJECTION				
QTY		PART NO.	SIZE	DESCRIPTION
6	Fuel Injector Sleeve	FP-6136-11-1130		
INT & EXH MANIFOLDS				
INT. & EXH. MANIFOLDS				
QTY		PART NO.	SIZE	DESCRIPTION
3	Exhaust Manifold Gasket	FP-6135-11-5810		
2	Intake Manifold Gasket	FP-6136-11-4850		

88 6.5L 396 OHV L6, 4.1338" Bore

Grader

S6D105; Build Series 1F; From Eng. Ser. No. 12124 to 49999; Model GD505A-2; Model Ser. No. 50003-Up

CAMSHAFT GROUP

CAMSHAFT/LIFTER				
QTY		PART NO.	SIZE	DESCRIPTION
12	Lifter	FP-6136-42-2111		
COOLING SYSTEM				
THERMOSTAT				
QTY		PART NO.	SIZE	DESCRIPTION
1	O-Ring	FP-6136-11-6810		
1	Thermostat	FP-600-421-6210		
WATER PUMP				
QTY		PART NO.	SIZE	DESCRIPTION
1	Water Pump - Heavy Duty	FP-6136-61-1102		
1	Water Pump - Heavy Duty	FP-6136-61-1701		Sandy/Dusty
CRANKSHAFT/OIL PUMP				
CRANKSHAFT				
QTY		PART NO.	SIZE	DESCRIPTION
1	Crankshaft	FP-6136-31-1010		
MAIN BEARINGS				
QTY		PART NO.	SIZE	DESCRIPTION
1	Main Bearing and Thrust Washer	FP-6136-21-8000		
7	Main Bearing, Flanged	FP-6136-21-8010	STD	
7	Main Bearing, Flanged	FP-6136-29-8010	.25MM	
7	Main Bearing, Flanged	FP-6136-28-8010	.50MM	
7	Main Bearing, Flanged	FP-6136-27-8010	.75MM	
7	Main Bearing, Flanged	FP-6136-26-8010	1.00MM	
1	Thrust Washer	FP-6134-21-8050	STD	
1	Thrust Washer	FP-6134-29-8050	.25MM	
1	Thrust Washer	FP-6134-28-8050	.50MM	

(continued on next page)

6.5L 396 OHV L6, 4.1338" Bore **88**
(cont.)

CRANKSHAFT/OIL PUMP (cont.)

QTY	MAIN BEARINGS (cont.)	PART NO.	SIZE	DESCRIPTION
1	Thrust Washer	FP-6136-27-8050	.75MM	
1	Thrust Washer	FP-6136-26-8050	1.00MM	
QTY	OIL PUMP	PART NO.	SIZE	DESCRIPTION
1	Oil Pump	FP-6136-51-1002		
QTY	SEALS - FRONT CRANK	PART NO.	SIZE	DESCRIPTION
1	Oil Seal	FP-6136-22-3510		
QTY	SEALS - REAR CRANK	PART NO.	SIZE	DESCRIPTION
1	Oil Seal	FP-6130-21-4231		

CYL. HEAD & PARTS

QTY	GASKETS	PART NO.	SIZE	DESCRIPTION
1	Head Gasket	FP-6136-11-1813		
1	Head Gasket Set	FP-6137-K1-9901		
1	Valve Cover Gasket	FP-6136-11-8814		
QTY	PUSH RODS	PART NO.	SIZE	DESCRIPTION
12	Push Rod	FP-6136-42-3120		
QTY	VALVE	PART NO.	SIZE	DESCRIPTION
24	Valve Keeper	FP-6136-41-4520		Int. & Exh.
6	Valve, Exhaust	FP-6136-41-4211		
6	Valve, Intake	FP-6136-41-4110		
QTY	VALVE GUIDE	PART NO.	SIZE	DESCRIPTION
12	Valve Guide	FP-6136-19-1331		
QTY	VALVE SEAT	PART NO.	SIZE	DESCRIPTION
6	Valve Seat	FP-6134-11-1320		Exh.
6	Valve Seat	FP-6136-11-1311		Int.
QTY	VALVE SPRING	PART NO.	SIZE	DESCRIPTION
12	Valve Spring	FP-6136-41-4410		
12	Valve Spring Seat	FP-6136-41-4530		Lower
12	Valve Spring Seat	FP-6136-42-4510		Upper

CYLINDER COMPONENTS

QTY	CONNECTING RODS & BRGS.	PART NO.	SIZE	DESCRIPTION
6	Connecting Rod Bearing Pair	FP-6138-31-3040	STD	
6	Connecting Rod Bearing Pair	FP-6138-39-3050	.25MM	
6	Connecting Rod Bearing Pair	FP-6138-38-3050	.50MM	
6	Connecting Rod Bearing Pair	FP-6138-37-3050	.75MM	
6	Connecting Rod Bearing Pair	FP-6138-36-3050	1.00MM	
QTY	LINERS	PART NO.	SIZE	DESCRIPTION
6	Cylinder Kit Complete	FP-LK312112		
6	Liner w/o Sealing Ring	FP-6137-22-2210		
6	O-Ring	FP-6136-21-2230		
6	O-Ring	FP-6136-21-2240		
6	Sealing Ring, Liner	FP-6136-21-2220		
QTY	PISTON RINGS	PART NO.	SIZE	DESCRIPTION
6	Ring Set, Single Cylinder	FP-6137-31-2032		
QTY	PISTONS	PART NO.	SIZE	DESCRIPTION
6	Piston Body w/o Pin	FP-6137-31-2112		
6	Piston Kit w/Pin & Retainers	FP-6137-31-2012		
6	Piston Pin	FP-6137-31-2410		
6	Piston Pin Bushing	FP-6136-31-3130		
12	Piston Pin Retainer	FP-04065-04018		

ENGINE BLOCK & PARTS

QTY	CAM BEARINGS	PART NO.	SIZE	DESCRIPTION
4	Camshaft Bearing	FP-6136-21-1410		
QTY	GASKET SETS	PART NO.	SIZE	DESCRIPTION
1	Conversion Gasket Set	FP-6137-K2-9901		
QTY	GASKETS	PART NO.	SIZE	DESCRIPTION
1	Oil Pan Gasket	FP-6136-21-5821		

FUEL SYSTEM & PARTS

QTY	FUEL INJECTION	PART NO.	SIZE	DESCRIPTION
6	Fuel Injector Sleeve	FP-6136-11-1130		

(continued on next page)

88 6.5L 396 OHV L6, 4.1338" Bore				
<i>(cont.)</i>				
INT & EXH MANIFOLDS				
QTY	INT. & EXH. MANIFOLDS	PART NO.	SIZE	DESCRIPTION
3	Exhaust Manifold Gasket	FP-6135-11-5810		
2	Intake Manifold Gasket	FP-6136-11-4850		
89 6.5L 396 OHV L6, 4.1338" Bore				
Grader				
S6D105; Build Series 1KK; Eng. Ser. No. 10281-Up; Model GD525A-1; Model Ser. No. 50001-Up				
S6D105; Build Series 1KK; Eng. Ser. No. 10281-Up; Model GD525A-1B; Model Ser. No. 50001-Up				
S6D105; Build Series 1PP; Eng. Ser. No. 81520-Up; Model GD611A-1; Model Ser. No. 10001-Up				
S6D105; Build Series 1PP; Eng. Ser. No. 81520-Up; Model GD621A-1; Model Ser. No. 10001-Up				
S6D105; Build Series 1PP; Eng. Ser. No. 81520-Up; Model GD621R-1; Model Ser. No. 10001-Up				
S6D105; Build Series 1YY; Eng. Ser. No. 91468-Up; Model GD515A-1; Model Ser. No. 50001-Up				
CAMSHAFT GROUP				
QTY	CAMSHAFT/LIFTER	PART NO.	SIZE	DESCRIPTION
12	Lifter	FP-6136-42-2111		
COOLING SYSTEM				
QTY	THERMOSTAT	PART NO.	SIZE	DESCRIPTION
1	O-Ring	FP-6136-11-6810		
1	Thermostat	FP-600-421-6210		
QTY	WATER PUMP	PART NO.	SIZE	DESCRIPTION
1	Water Pump - Heavy Duty	FP-6136-61-1501		
CRANKSHAFT/OIL PUMP				
QTY	CRANKSHAFT	PART NO.	SIZE	DESCRIPTION
1	Crankshaft	FP-6136-31-1010		
QTY	MAIN BEARINGS	PART NO.	SIZE	DESCRIPTION
1	Main Bearing and Thrust Washer	FP-6136-21-8000		
7	Main Bearing, Flanged	FP-6136-21-8010		STD
7	Main Bearing, Flanged	FP-6136-29-8010		.25MM
7	Main Bearing, Flanged	FP-6136-28-8010		.50MM
7	Main Bearing, Flanged	FP-6136-27-8010		.75MM
7	Main Bearing, Flanged	FP-6136-26-8010		1.00MM
1	Thrust Washer	FP-6134-21-8050		STD
1	Thrust Washer	FP-6134-29-8050		.25MM
1	Thrust Washer	FP-6134-28-8050		.50MM
1	Thrust Washer	FP-6136-27-8050		.75MM
1	Thrust Washer	FP-6136-26-8050		1.00MM
QTY	OIL PUMP	PART NO.	SIZE	DESCRIPTION
1	Oil Pump	FP-6136-52-1100		
QTY	SEALS - FRONT CRANK	PART NO.	SIZE	DESCRIPTION
1	Oil Seal	FP-6136-22-3510		
QTY	SEALS - REAR CRANK	PART NO.	SIZE	DESCRIPTION
1	Oil Seal	FP-6130-21-4231		
CYL. HEAD & PARTS				
QTY	GASKETS	PART NO.	SIZE	DESCRIPTION
1	Head Gasket	FP-6136-11-1813		
1	Head Gasket Set	FP-6137-K1-9901		
1	Valve Cover Gasket	FP-6136-11-8814		
QTY	PUSH RODS	PART NO.	SIZE	DESCRIPTION
12	Push Rod	FP-6136-42-3120		
QTY	VALVE	PART NO.	SIZE	DESCRIPTION
24	Valve Keeper	FP-6136-42-4520		Int. & Exh.
6	Valve, Exhaust	FP-6136-42-4211		STD
6	Valve, Intake	FP-6138-42-4110		STD
QTY	VALVE GUIDE	PART NO.	SIZE	DESCRIPTION
12	Valve Guide	FP-6136-19-1430		
QTY	VALVE SEAT	PART NO.	SIZE	DESCRIPTION
6	Valve Seat	FP-6136-12-1320		Exh.
6	Valve Seat	FP-6138-12-1310		Int.
QTY	VALVE SPRING	PART NO.	SIZE	DESCRIPTION
12	Valve Spring	FP-6136-42-4410		
12	Valve Spring Seat	FP-6136-41-4530		Lower

(continued on next page)

6.5L 396 OHV L6, 4.1338" Bore 89
(cont.)

CYL. HEAD & PARTS (cont.)

QTY	VALVE SPRING (cont.)	PART NO.	SIZE	DESCRIPTION
12	Valve Spring Seat	FP-6136-42-4510		Upper

CYLINDER COMPONENTS

QTY	CONNECTING RODS & BRGS.	PART NO.	SIZE	DESCRIPTION
6	Connecting Rod Bearing Pair	FP-6138-31-3040	STD	
6	Connecting Rod Bearing Pair	FP-6138-39-3050	.25MM	
6	Connecting Rod Bearing Pair	FP-6138-38-3050	.50MM	
6	Connecting Rod Bearing Pair	FP-6138-37-3050	.75MM	
6	Connecting Rod Bearing Pair	FP-6138-36-3050	1.00MM	

QTY	LINERS	PART NO.	SIZE	DESCRIPTION
6	Cylinder Kit Complete	FP-LK322130		
6	Liner w/o Sealing Ring	FP-6137-22-2210		
6	O-Ring	FP-6136-21-2230		
6	O-Ring	FP-6136-21-2240		
6	Sealing Ring, Liner	FP-6136-21-2220		

QTY	PISTON RINGS	PART NO.	SIZE	DESCRIPTION
6	Ring Set, Single Cylinder	FP-6137-31-2040		

QTY	PISTONS	PART NO.	SIZE	DESCRIPTION
6	Piston Body w/o Pin	FP-6137-32-2130		
6	Piston Kit w/Pin & Retainers	FP-6137-32-2030		
6	Piston Pin	FP-6137-31-2410		
6	Piston Pin Bushing	FP-6136-32-3130		
12	Piston Pin Retainer	FP-04065-04018		

ENGINE BLOCK & PARTS

QTY	CAM BEARINGS	PART NO.	SIZE	DESCRIPTION
4	Camshaft Bearing	FP-6136-21-1410		

QTY	GASKET SETS	PART NO.	SIZE	DESCRIPTION
1	Conversion Gasket Set	FP-6137-K2-9901		

QTY	GASKETS	PART NO.	SIZE	DESCRIPTION
1	Oil Pan Gasket	FP-6136-21-5821		

FUEL SYSTEM & PARTS

QTY	FUEL INJECTION	PART NO.	SIZE	DESCRIPTION
6	Fuel Injector Sleeve	FP-6136-11-1130		

INT & EXH MANIFOLDS

QTY	INT. & EXH. MANIFOLDS	PART NO.	SIZE	DESCRIPTION
3	Exhaust Manifold Gasket	FP-6135-11-5810		
2	Intake Manifold Gasket	FP-6136-11-4850		

6.5L 396 OHV L6, 4.1338" Bore 90
Grader

S6D105; Build Series 1F; Eng. Ser. No. 50001-Up; Model GD505A-2; Model Ser. No. 50003-Up

CAMSHAFT GROUP

QTY	CAMSHAFT/LIFTER	PART NO.	SIZE	DESCRIPTION
12	Lifter	FP-6136-42-2111		

COOLING SYSTEM

QTY	THERMOSTAT	PART NO.	SIZE	DESCRIPTION
1	O-Ring	FP-6136-11-6810		
1	Thermostat	FP-600-421-6210		

QTY	WATER PUMP	PART NO.	SIZE	DESCRIPTION
1	Water Pump - Heavy Duty	FP-6136-61-1102		
1	Water Pump - Heavy Duty	FP-6136-61-1701		Sandy/Dusty

CRANKSHAFT/OIL PUMP

QTY	CRANKSHAFT	PART NO.	SIZE	DESCRIPTION
1	Crankshaft	FP-6136-31-1010		

QTY	MAIN BEARINGS	PART NO.	SIZE	DESCRIPTION
1	Main Bearing and Thrust Washer	FP-6136-21-8000		
7	Main Bearing, Flanged	FP-6136-21-8010	STD	
7	Main Bearing, Flanged	FP-6136-29-8010	.25MM	
7	Main Bearing, Flanged	FP-6136-28-8010	.50MM	

(continued on next page)

90 6.5L 396 OHV L6, 4.1338" Bore				
(cont.)				
CRANKSHAFT/OIL PUMP (cont.)				
QTY	MAIN BEARINGS (cont.)	PART NO.	SIZE	DESCRIPTION
7	Main Bearing, Flanged	FP-6136-27-8010	.75MM	
7	Main Bearing, Flanged	FP-6136-26-8010	1.00MM	
1	Thrust Washer	FP-6134-21-8050	STD	
1	Thrust Washer	FP-6134-29-8050	.25MM	
1	Thrust Washer	FP-6134-28-8050	.50MM	
1	Thrust Washer	FP-6136-27-8050	.75MM	
1	Thrust Washer	FP-6136-26-8050	1.00MM	
QTY	OIL PUMP	PART NO.	SIZE	DESCRIPTION
1	Oil Pump	FP-6136-52-1100		
QTY	SEALS - FRONT CRANK	PART NO.	SIZE	DESCRIPTION
1	Oil Seal	FP-6136-22-3510		
QTY	SEALS - REAR CRANK	PART NO.	SIZE	DESCRIPTION
1	Oil Seal	FP-6130-21-4231		
CYL. HEAD & PARTS				
QTY	GASKETS	PART NO.	SIZE	DESCRIPTION
1	Head Gasket	FP-6136-11-1814		
1	Head Gasket Set	FP-6137-K1-9901		
1	Valve Cover Gasket	FP-6136-11-8812		
QTY	PUSH RODS	PART NO.	SIZE	DESCRIPTION
12	Push Rod	FP-6136-42-3120		
QTY	VALVE	PART NO.	SIZE	DESCRIPTION
24	Valve Keeper	FP-6136-42-4520		Int. & Exh.
6	Valve, Exhaust	FP-6136-42-4211	STD	
6	Valve, Intake	FP-6136-42-4110		
QTY	VALVE GUIDE	PART NO.	SIZE	DESCRIPTION
12	Valve Guide	FP-6136-19-1430		
QTY	VALVE SEAT	PART NO.	SIZE	DESCRIPTION
6	Valve Seat	FP-6136-12-1310		Int.
6	Valve Seat	FP-6136-12-1320		Exh.
QTY	VALVE SPRING	PART NO.	SIZE	DESCRIPTION
12	Valve Spring	FP-6136-42-4410		
12	Valve Spring Seat	FP-6136-41-4530		Lower
12	Valve Spring Seat	FP-6136-42-4510		Upper
CYLINDER COMPONENTS				
QTY	CONNECTING RODS & BRGS.	PART NO.	SIZE	DESCRIPTION
6	Connecting Rod Bearing Pair	FP-6138-31-3040	STD	
6	Connecting Rod Bearing Pair	FP-6138-39-3050	.25MM	
6	Connecting Rod Bearing Pair	FP-6138-38-3050	.50MM	
6	Connecting Rod Bearing Pair	FP-6138-37-3050	.75MM	
6	Connecting Rod Bearing Pair	FP-6138-36-3050	1.00MM	
QTY	LINERS	PART NO.	SIZE	DESCRIPTION
6	Cylinder Kit Complete	FP-LK72110		
6	Liner w/o Sealing Ring	FP-6137-22-2210		
6	O-Ring	FP-6136-21-2230		
6	O-Ring	FP-6136-21-2240		
6	Sealing Ring, Liner	FP-6136-21-2220		
QTY	PISTON RINGS	PART NO.	SIZE	DESCRIPTION
6	Ring Set, Single Cylinder	FP-6137-31-2032		
QTY	PISTONS	PART NO.	SIZE	DESCRIPTION
6	Piston Body w/o Pin	FP-6137-32-2110		
6	Piston Kit w/Pin & Retainers	FP-6137-32-2010		
6	Piston Pin	FP-6137-31-2410		
6	Piston Pin Bushing	FP-6136-32-3130		
12	Piston Pin Retainer	FP-04065-04018		
ENGINE BLOCK & PARTS				
QTY	CAM BEARINGS	PART NO.	SIZE	DESCRIPTION
4	Camshaft Bearing	FP-6136-21-1410		
QTY	GASKET SETS	PART NO.	SIZE	DESCRIPTION
1	Conversion Gasket Set	FP-6137-K2-9901		

(continued on next page)

6.5L 396 OHV L6, 4.1338" Bore 90
(cont.)

ENGINE BLOCK & PARTS (cont.)

QTY	GASKETS	PART NO.	SIZE	DESCRIPTION
1	Oil Pan Gasket	FP-6136-21-5821		

FUEL SYSTEM & PARTS				
QTY	FUEL INJECTION	PART NO.	SIZE	DESCRIPTION
6	Fuel Injector Sleeve	FP-6136-11-1130		

INT & EXH MANIFOLDS				
QTY	INT. & EXH. MANIFOLDS	PART NO.	SIZE	DESCRIPTION
3	Exhaust Manifold Gasket	FP-6135-11-5810		
2	Intake Manifold Gasket	FP-6136-11-4850		

6.5L 396 OHV L6, 4.1338" Bore 91
Grader

S6D105; Build Series 1ZZ; Eng. Ser. No. 91468-Up; Model GD525A-1C; Model Ser. No. 60001-Up

CAMSHAFT GROUP

QTY	CAMSHAFT/LIFTER	PART NO.	SIZE	DESCRIPTION
12	Lifter	FP-6136-42-2111		

COOLING SYSTEM

QTY	THERMOSTAT	PART NO.	SIZE	DESCRIPTION
1	O-Ring	FP-6136-11-6810		
1	Thermostat	FP-600-421-6220		

QTY	WATER PUMP	PART NO.	SIZE	DESCRIPTION
1	Water Pump - Heavy Duty	FP-6136-61-1102		

CRANKSHAFT/OIL PUMP

QTY	CRANKSHAFT	PART NO.	SIZE	DESCRIPTION
1	Crankshaft	FP-6136-31-1010		

QTY	MAIN BEARINGS	PART NO.	SIZE	DESCRIPTION
1	Main Bearing and Thrust Washer	FP-6136-21-8000		
7	Main Bearing, Flanged	FP-6136-21-8010	STD	
7	Main Bearing, Flanged	FP-6136-29-8010	.25MM	
7	Main Bearing, Flanged	FP-6136-28-8010	.50MM	
7	Main Bearing, Flanged	FP-6136-27-8010	.75MM	
7	Main Bearing, Flanged	FP-6136-26-8010	1.00MM	
1	Thrust Washer	FP-6134-21-8050	STD	
1	Thrust Washer	FP-6134-29-8050	.25MM	
1	Thrust Washer	FP-6134-28-8050	.50MM	
1	Thrust Washer	FP-6136-27-8050	.75MM	
1	Thrust Washer	FP-6136-26-8050	1.00MM	

QTY	OIL PUMP	PART NO.	SIZE	DESCRIPTION
1	Oil Pump	FP-6136-52-1100		

QTY	SEALS - FRONT CRANK	PART NO.	SIZE	DESCRIPTION
1	Oil Seal	FP-6136-22-3510		

QTY	SEALS - REAR CRANK	PART NO.	SIZE	DESCRIPTION
1	Oil Seal	FP-6130-21-4231		

CYL. HEAD & PARTS

QTY	GASKETS	PART NO.	SIZE	DESCRIPTION
1	Head Gasket	FP-6136-11-1813		
1	Head Gasket Set	FP-6137-K1-9901		
1	Valve Cover Gasket	FP-6136-11-8814		

QTY	PUSH RODS	PART NO.	SIZE	DESCRIPTION
12	Push Rod	FP-6136-42-3120		

QTY	VALVE	PART NO.	SIZE	DESCRIPTION
24	Valve Keeper	FP-6136-42-4520		Int. & Exh.
6	Valve, Exhaust	FP-6136-42-4211	STD	
6	Valve, Intake	FP-6138-42-4110	STD	

QTY	VALVE GUIDE	PART NO.	SIZE	DESCRIPTION
12	Valve Guide	FP-6136-19-1430		

QTY	VALVE SEAT	PART NO.	SIZE	DESCRIPTION
6	Valve Seat	FP-6136-12-1320		Exh.
6	Valve Seat	FP-6138-12-1310		Int.

(continued on next page)

91 6.5L 396 OHV L6, 4.1338" Bore				
(cont.)				
CYL. HEAD & PARTS (cont.)				
QTY	VALVE SPRING	PART NO.	SIZE	DESCRIPTION
12	Valve Spring	FP-6136-42-4410		
12	Valve Spring Seat	FP-6136-41-4530		Lower
12	Valve Spring Seat	FP-6136-42-4510		Upper
CYLINDER COMPONENTS				
QTY	CONNECTING RODS & BRGS.	PART NO.	SIZE	DESCRIPTION
6	Connecting Rod Bearing Pair	FP-6138-31-3040		STD
6	Connecting Rod Bearing Pair	FP-6138-39-3050		.25MM
6	Connecting Rod Bearing Pair	FP-6138-38-3050		.50MM
6	Connecting Rod Bearing Pair	FP-6138-37-3050		.75MM
6	Connecting Rod Bearing Pair	FP-6138-36-3050		1.00MM
QTY	LINERS	PART NO.	SIZE	DESCRIPTION
6	Cylinder Kit Complete	FP-LK322130		
6	Liner w/o Sealing Ring	FP-6137-22-2210		
6	O-Ring	FP-6136-21-2230		
6	O-Ring	FP-6136-21-2240		
6	Sealing Ring, Liner	FP-6136-21-2220		
QTY	PISTON RINGS	PART NO.	SIZE	DESCRIPTION
6	Ring Set, Single Cylinder	FP-6137-31-2040		
QTY	PISTONS	PART NO.	SIZE	DESCRIPTION
6	Piston Body w/o Pin	FP-6137-32-2130		
6	Piston Kit w/Pin & Retainers	FP-6137-32-2030		
6	Piston Pin	FP-6137-31-2410		
6	Piston Pin Bushing	FP-6136-32-3130		
12	Piston Pin Retainer	FP-04065-04018		
ENGINE BLOCK & PARTS				
QTY	CAM BEARINGS	PART NO.	SIZE	DESCRIPTION
4	Camshaft Bearing	FP-6136-21-1410		
QTY	GASKET SETS	PART NO.	SIZE	DESCRIPTION
1	Conversion Gasket Set	FP-6137-K2-9901		
QTY	GASKETS	PART NO.	SIZE	DESCRIPTION
1	Oil Pan Gasket	FP-6136-21-5821		
FUEL SYSTEM & PARTS				
QTY	FUEL INJECTION	PART NO.	SIZE	DESCRIPTION
6	Fuel Injector Sleeve	FP-6136-11-1130		
INT & EXH MANIFOLDS				
QTY	INT. & EXH. MANIFOLDS	PART NO.	SIZE	DESCRIPTION
3	Exhaust Manifold Gasket	FP-6135-11-5810		
2	Intake Manifold Gasket	FP-6136-11-4850		
92 6.5L 396 OHV L6, 4.1338" Bore				
Grader				
S6D105; Build Series 1; Eng. Ser. No. 72681-Up; Model GD655A-5; Model Ser. No. 65001-Up				
S6D105; Build Series 1NN; Eng. Ser. No. 81519-Up; Model GD661A-1; Model Ser. No. 10001-Up				
CAMSHAFT GROUP				
QTY	CAMSHAFT/LIFTER	PART NO.	SIZE	DESCRIPTION
12	Lifter	FP-6136-42-2111		
COOLING SYSTEM				
QTY	THERMOSTAT	PART NO.	SIZE	DESCRIPTION
1	O-Ring	FP-6136-11-6810		
1	Thermostat	FP-600-421-6310		
QTY	WATER PUMP	PART NO.	SIZE	DESCRIPTION
1	Water Pump - Heavy Duty	FP-6138-61-1401		
CRANKSHAFT/OIL PUMP				
QTY	CRANKSHAFT	PART NO.	SIZE	DESCRIPTION
1	Crankshaft	FP-6136-31-1010		
QTY	MAIN BEARINGS	PART NO.	SIZE	DESCRIPTION
1	Main Bearing and Thrust Washer	FP-6136-21-8000		
7	Main Bearing, Flanged	FP-6136-21-8010		STD

(continued on next page)

6.5L 396 OHV L6, 4.1338" Bore **92**
(cont.)

CRANKSHAFT/OIL PUMP (cont.)

QTY	MAIN BEARINGS (cont.)	PART NO.	SIZE	DESCRIPTION
7	Main Bearing, Flanged	FP-6136-29-8010	.25MM	
7	Main Bearing, Flanged	FP-6136-28-8010	.50MM	
7	Main Bearing, Flanged	FP-6136-27-8010	.75MM	
7	Main Bearing, Flanged	FP-6136-26-8010	1.00MM	
1	Thrust Washer	FP-6134-21-8050	STD	
1	Thrust Washer	FP-6134-29-8050	.25MM	
1	Thrust Washer	FP-6134-28-8050	.50MM	
1	Thrust Washer	FP-6136-27-8050	.75MM	
1	Thrust Washer	FP-6136-26-8050	1.00MM	

QTY	OIL PUMP	PART NO.	SIZE	DESCRIPTION
1	Oil Pump	FP-6136-52-1100		

QTY	SEALS - FRONT CRANK	PART NO.	SIZE	DESCRIPTION
1	Oil Seal	FP-6136-22-3510		

QTY	SEALS - REAR CRANK	PART NO.	SIZE	DESCRIPTION
1	Oil Seal	FP-6130-21-4231		

CYL. HEAD & PARTS

QTY	GASKETS	PART NO.	SIZE	DESCRIPTION
1	Head Gasket	FP-6136-11-1813		
1	Head Gasket Set	FP-6137-K1-9901		
1	Valve Cover Gasket	FP-6136-11-8814		

QTY	PUSH RODS	PART NO.	SIZE	DESCRIPTION
12	Push Rod	FP-6136-42-3120		

QTY	VALVE	PART NO.	SIZE	DESCRIPTION
24	Valve Keeper	FP-6136-42-4520		Int. & Exh.
6	Valve, Exhaust	FP-6136-42-4211	STD	
6	Valve, Intake	FP-6138-42-4110	STD	

QTY	VALVE GUIDE	PART NO.	SIZE	DESCRIPTION
12	Valve Guide	FP-6136-19-1430		

QTY	VALVE SEAT	PART NO.	SIZE	DESCRIPTION
6	Valve Seat	FP-6136-12-1320		Exh.
6	Valve Seat	FP-6138-12-1310		Int.

QTY	VALVE SPRING	PART NO.	SIZE	DESCRIPTION
12	Valve Spring	FP-6136-42-4410		
12	Valve Spring Seat	FP-6136-41-4530		Lower
12	Valve Spring Seat	FP-6136-42-4510		Upper

CYLINDER COMPONENTS

QTY	CONNECTING RODS & BRGS.	PART NO.	SIZE	DESCRIPTION
6	Connecting Rod Bearing Pair	FP-6138-31-3040	STD	
6	Connecting Rod Bearing Pair	FP-6138-39-3050	.25MM	
6	Connecting Rod Bearing Pair	FP-6138-38-3050	.50MM	
6	Connecting Rod Bearing Pair	FP-6138-37-3050	.75MM	
6	Connecting Rod Bearing Pair	FP-6138-36-3050	1.00MM	

QTY	LINERS	PART NO.	SIZE	DESCRIPTION
6	Cylinder Kit Complete	FP-LK322130		
6	Liner w/o Sealing Ring	FP-6137-22-2210		
6	O-Ring	FP-6136-21-2230		
6	O-Ring	FP-6136-21-2240		
6	Sealing Ring, Liner	FP-6136-21-2220		

QTY	PISTON RINGS	PART NO.	SIZE	DESCRIPTION
6	Ring Set, Single Cylinder	FP-6137-31-2040		

QTY	PISTONS	PART NO.	SIZE	DESCRIPTION
6	Piston Body w/o Pin	FP-6137-32-2130		
6	Piston Kit w/Pin & Retainers	FP-6137-32-2030		
6	Piston Pin	FP-6137-31-2410		
6	Piston Pin Bushing	FP-6136-32-3130		
12	Piston Pin Retainer	FP-04065-04018		

ENGINE BLOCK & PARTS

QTY	CAM BEARINGS	PART NO.	SIZE	DESCRIPTION
4	Camshaft Bearing	FP-6136-21-1410		

(continued on next page)

92 6.5L 396 OHV L6, 4.1338" Bore (cont.)				
ENGINE BLOCK & PARTS (cont.)				
QTY	GASKET SETS	PART NO.	SIZE	DESCRIPTION
1	Conversion Gasket Set	FP-6137-K2-9901		
QTY	GASKETS	PART NO.	SIZE	DESCRIPTION
1	Oil Pan Gasket	FP-6136-21-5821		
FUEL SYSTEM & PARTS				
QTY	FUEL INJECTION	PART NO.	SIZE	DESCRIPTION
6	Fuel Injector Sleeve	FP-6136-11-1130		
INT & EXH MANIFOLDS				
QTY	INT. & EXH. MANIFOLDS	PART NO.	SIZE	DESCRIPTION
3	Exhaust Manifold Gasket	FP-6135-11-5810		
2	Intake Manifold Gasket	FP-6136-11-4850		
93 6.5L 396 OHV L6, 4.1338" Bore <i>Wheel Loader</i> 6D105; Build Series 1BB; Eng. Ser. No. 62390-Up; Model WA200-1; Model Ser. No. 10001-Up 6D105; Build Series 1BB; Eng. Ser. No. 62390-Up; Model WA200-1A; Model Ser. No. 10001-Up 6D105; Build Series 1Z; Eng. Ser. No. 62390-Up; Model WA200-1; Model Ser. No. 10001-Up				
CAMSHAFT GROUP				
QTY	CAMSHAFT/LIFTER	PART NO.	SIZE	DESCRIPTION
12	Lifter	FP-6136-42-2111		
COOLING SYSTEM				
QTY	THERMOSTAT	PART NO.	SIZE	DESCRIPTION
1	O-Ring	FP-6136-11-6810		
1	Thermostat	FP-600-421-6210		
QTY	WATER PUMP	PART NO.	SIZE	DESCRIPTION
1	Water Pump - Heavy Duty	FP-6136-61-1601		
CRANKSHAFT/OIL PUMP				
QTY	CRANKSHAFT	PART NO.	SIZE	DESCRIPTION
1	Crankshaft	FP-6136-31-1010		
QTY	MAIN BEARINGS	PART NO.	SIZE	DESCRIPTION
1	Main Bearing and Thrust Washer	FP-6136-21-8000		
7	Main Bearing, Flanged	FP-6136-21-8010	STD	
7	Main Bearing, Flanged	FP-6136-29-8010	.25MM	
7	Main Bearing, Flanged	FP-6136-28-8010	.50MM	
7	Main Bearing, Flanged	FP-6136-27-8010	.75MM	
7	Main Bearing, Flanged	FP-6136-26-8010	1.00MM	
1	Thrust Washer	FP-6134-21-8050	STD	
1	Thrust Washer	FP-6134-29-8050	.25MM	
1	Thrust Washer	FP-6134-28-8050	.50MM	
1	Thrust Washer	FP-6136-27-8050	.75MM	
1	Thrust Washer	FP-6136-26-8050	1.00MM	
QTY	OIL PUMP	PART NO.	SIZE	DESCRIPTION
1	Oil Pump	FP-6136-52-1100		
QTY	SEALS - FRONT CRANK	PART NO.	SIZE	DESCRIPTION
1	Oil Seal	FP-6136-22-3510		
QTY	SEALS - REAR CRANK	PART NO.	SIZE	DESCRIPTION
1	Oil Seal	FP-6130-22-4231		
CYL. HEAD & PARTS				
QTY	GASKETS	PART NO.	SIZE	DESCRIPTION
1	Head Gasket	FP-6136-11-1813		
1	Head Gasket Set	FP-6136-K1-9901		
1	Valve Cover Gasket	FP-6136-11-8814		
QTY	PUSH RODS	PART NO.	SIZE	DESCRIPTION
12	Push Rod	FP-6136-42-3120		
QTY	VALVE	PART NO.	SIZE	DESCRIPTION
24	Valve Keeper	FP-6136-42-4520		Int. & Exh.
6	Valve, Exhaust	FP-6136-42-4211	STD	
6	Valve, Intake	FP-6136-42-4110		
QTY	VALVE GUIDE	PART NO.	SIZE	DESCRIPTION
12	Valve Guide	FP-6136-19-1430		

(continued on next page)

6.5L 396 OHV L6, 4.1338" Bore **93** (cont.)

CYL. HEAD & PARTS (cont.)

QTY	VALVE SEAT	PART NO.	SIZE	DESCRIPTION
6	Valve Seat	FP-6136-12-1310		Int.
6	Valve Seat	FP-6136-12-1320		Exh.
QTY	VALVE SPRING	PART NO.	SIZE	DESCRIPTION
12	Valve Spring	FP-6136-42-4410		
12	Valve Spring Seat	FP-6136-41-4530		Lower
12	Valve Spring Seat	FP-6136-42-4510		Upper

CYLINDER COMPONENTS

QTY	CONNECTING RODS & BRGS.	PART NO.	SIZE	DESCRIPTION
6	Connecting Rod Bearing Pair	FP-6138-31-3040	STD	
6	Connecting Rod Bearing Pair	FP-6138-39-3050	.25MM	
6	Connecting Rod Bearing Pair	FP-6138-38-3050	.50MM	
6	Connecting Rod Bearing Pair	FP-6138-37-3050	.75MM	
6	Connecting Rod Bearing Pair	FP-6138-36-3050	1.00MM	
QTY	LINERS	PART NO.	SIZE	DESCRIPTION
6	Cylinder Kit Complete	FP-LK322110		
6	Liner w/o Sealing Ring	FP-6137-22-2210		
6	O-Ring	FP-6136-21-2230		
6	O-Ring	FP-6136-21-2240		
6	Sealing Ring, Liner	FP-6136-21-2220		
QTY	PISTON RINGS	PART NO.	SIZE	DESCRIPTION
6	Ring Set, Single Cylinder	FP-6136-31-2030		
QTY	PISTONS	PART NO.	SIZE	DESCRIPTION
6	Piston Body w/o Pin	FP-6136-32-2110		
6	Piston Kit w/Pin & Retainers	FP-6136-32-2010		
6	Piston Pin	FP-6136-31-2410		
6	Piston Pin Bushing	FP-6136-32-3130		
12	Piston Pin Retainer	FP-04065-04018		

ENGINE BLOCK & PARTS

QTY	CAM BEARINGS	PART NO.	SIZE	DESCRIPTION
4	Camshaft Bearing	FP-6136-21-1410		
QTY	GASKET SETS	PART NO.	SIZE	DESCRIPTION
1	Conversion Gasket Set	FP-6136-K2-9901		
QTY	GASKETS	PART NO.	SIZE	DESCRIPTION
1	Oil Pan Gasket	FP-6136-21-5821		

FUEL SYSTEM & PARTS

QTY	FUEL INJECTION	PART NO.	SIZE	DESCRIPTION
6	Fuel Injector Sleeve	FP-6136-11-1130		

INT & EXH MANIFOLDS

QTY	INT. & EXH. MANIFOLDS	PART NO.	SIZE	DESCRIPTION
3	Exhaust Manifold Gasket	FP-6135-11-5810		
2	Intake Manifold Gasket	FP-6136-11-4850		

6.5L 396 OHV L6, 4.1338" Bore **94** *Wheel Loader*

S6D105; Build Series 1AJ; Eng. Ser. No. 86535-Up; Model WA320-1; Model Ser. No. 10001-Up
 S6D105; Build Series 1SS; Eng. Ser. No. 86535-Up; Model WA320-1; Model Ser. No. 10001-Up
 S6D105; Build Series 1SS; Eng. Ser. No. 86535-Up; Model WA320-1R; Model Ser. No. 10001-Up
 S6D105; Build Series 1TT; Eng. Ser. No. 86423-Up; Model WA250-1; Model Ser. No. 10001-Up
 S6D105; Build Series 1TT; Eng. Ser. No. 86423-Up; Model WA250-1; Model Ser. No. A10509-Up
 S6D105; Build Series 1WW; Eng. Ser. No. 63244-Up; Model WA300-1; Model Ser. No. 10001-Up
 S6D105; Build Series 1WW; Eng. Ser. No. 63244-Up; Model WA300-1A; Model Ser. No. 10001-Up
 S6D105; Build Series 1X; Eng. Ser. No. 63244-Up; Model WA300-1; Model Ser. No. 10001-Up
 S6D105; Build Series 1X; Eng. Ser. No. 63244-Up; Model WA300-1A; Model Ser. No. 10001-Up

CAMSHAFT GROUP

QTY	CAMSHAFT/LIFTER	PART NO.	SIZE	DESCRIPTION
12	Lifter	FP-6136-42-2111		

COOLING SYSTEM

QTY	THERMOSTAT	PART NO.	SIZE	DESCRIPTION
1	O-Ring	FP-6136-11-6810		

(continued on next page)

94 6.5L 396 OHV L6, 4.1338" Bore				
(cont.)				
COOLING SYSTEM (cont.)				
QTY	THERMOSTAT (cont.)	PART NO.	SIZE	DESCRIPTION
1	Thermostat	FP-600-421-6210		
QTY	WATER PUMP	PART NO.	SIZE	DESCRIPTION
1	Water Pump - Heavy Duty	FP-6136-61-1501		
CRANKSHAFT/OIL PUMP				
QTY	CRANKSHAFT	PART NO.	SIZE	DESCRIPTION
1	Crankshaft	FP-6136-31-1010		
QTY	MAIN BEARINGS	PART NO.	SIZE	DESCRIPTION
1	Main Bearing and Thrust Washer	FP-6136-21-8000		
7	Main Bearing, Flanged	FP-6136-21-8010	STD	
7	Main Bearing, Flanged	FP-6136-29-8010	.25MM	
7	Main Bearing, Flanged	FP-6136-28-8010	.50MM	
7	Main Bearing, Flanged	FP-6136-27-8010	.75MM	
7	Main Bearing, Flanged	FP-6136-26-8010	1.00MM	
1	Thrust Washer	FP-6134-21-8050	STD	
1	Thrust Washer	FP-6134-29-8050	.25MM	
1	Thrust Washer	FP-6134-28-8050	.50MM	
1	Thrust Washer	FP-6136-27-8050	.75MM	
1	Thrust Washer	FP-6136-26-8050	1.00MM	
QTY	OIL PUMP	PART NO.	SIZE	DESCRIPTION
1	Oil Pump	FP-6136-52-1100		
QTY	SEALS - FRONT CRANK	PART NO.	SIZE	DESCRIPTION
1	Oil Seal	FP-6136-22-3510		
QTY	SEALS - REAR CRANK	PART NO.	SIZE	DESCRIPTION
1	Oil Seal	FP-6130-21-4231		
CYL. HEAD & PARTS				
QTY	GASKETS	PART NO.	SIZE	DESCRIPTION
1	Head Gasket	FP-6136-11-1813		
1	Head Gasket Set	FP-6137-K1-9901		
1	Valve Cover Gasket	FP-6136-11-8814		
QTY	PUSH RODS	PART NO.	SIZE	DESCRIPTION
12	Push Rod	FP-6136-42-3120		
QTY	VALVE	PART NO.	SIZE	DESCRIPTION
24	Valve Keeper	FP-6136-42-4520		Int. & Exh.
6	Valve, Exhaust	FP-6136-42-4211	STD	
6	Valve, Intake	FP-6138-42-4110	STD	
QTY	VALVE GUIDE	PART NO.	SIZE	DESCRIPTION
12	Valve Guide	FP-6136-19-1430		
QTY	VALVE SEAT	PART NO.	SIZE	DESCRIPTION
6	Valve Seat	FP-6136-12-1320		Exh.
6	Valve Seat	FP-6138-12-1310		Int.
QTY	VALVE SPRING	PART NO.	SIZE	DESCRIPTION
12	Valve Spring	FP-6136-42-4410		
12	Valve Spring Seat	FP-6136-41-4530		Lower
12	Valve Spring Seat	FP-6136-42-4510		Upper
CYLINDER COMPONENTS				
QTY	CONNECTING RODS & BRGS.	PART NO.	SIZE	DESCRIPTION
6	Connecting Rod Bearing Pair	FP-6138-31-3040	STD	
6	Connecting Rod Bearing Pair	FP-6138-39-3050	.25MM	
6	Connecting Rod Bearing Pair	FP-6138-38-3050	.50MM	
6	Connecting Rod Bearing Pair	FP-6138-37-3050	.75MM	
6	Connecting Rod Bearing Pair	FP-6138-36-3050	1.00MM	
QTY	LINERS	PART NO.	SIZE	DESCRIPTION
6	Cylinder Kit Complete	FP-LK322130		
6	Liner w/o Sealing Ring	FP-6137-22-2210		
6	O-Ring	FP-6136-21-2230		
6	O-Ring	FP-6136-21-2240		
6	Sealing Ring, Liner	FP-6136-21-2220		
QTY	PISTON RINGS	PART NO.	SIZE	DESCRIPTION
6	Ring Set, Single Cylinder	FP-6137-31-2040		

(continued on next page)

6.5L 396 OHV L6, 4.1338" Bore 94
(cont.)

CYLINDER COMPONENTS (cont.)

QTY	PISTONS	PART NO.	SIZE	DESCRIPTION
6	Piston Body w/o Pin	FP-6137-32-2130		
6	Piston Kit w/Pin & Retainers	FP-6137-32-2030		
6	Piston Pin	FP-6137-31-2410		
6	Piston Pin Bushing	FP-6136-32-3130		
12	Piston Pin Retainer	FP-04065-04018		

ENGINE BLOCK & PARTS

QTY	CAM BEARINGS	PART NO.	SIZE	DESCRIPTION
4	Camshaft Bearing	FP-6136-21-1410		
QTY	GASKET SETS	PART NO.	SIZE	DESCRIPTION
1	Conversion Gasket Set	FP-6137-K2-9901		
QTY	GASKETS	PART NO.	SIZE	DESCRIPTION
1	Oil Pan Gasket	FP-6136-21-5821		

FUEL SYSTEM & PARTS

QTY	FUEL INJECTION	PART NO.	SIZE	DESCRIPTION
6	Fuel Injector Sleeve	FP-6136-11-1130		

INT & EXH MANIFOLDS

QTY	INT. & EXH. MANIFOLDS	PART NO.	SIZE	DESCRIPTION
3	Exhaust Manifold Gasket	FP-6135-11-5810		
2	Intake Manifold Gasket	FP-6136-11-4850		

8.3L 505 OHV L6, 4.49" Bore 95
Dozer

S6D114E; Build Series 1; Eng. Ser. No. 30456012-Up; Model D61E-12; Model Ser. No. 1001-Up
 S6D114E; Build Series 1; Eng. Ser. No. 30456012-Up; Model D61EX-12; Model Ser. No. 1001-Up
 S6D114E; Build Series 1; Eng. Ser. No. 30456012-Up; Model D61P-12; Model Ser. No. 1001-Up
 S6D114E; Build Series 1; Eng. Ser. No. 30456012-Up; Model D61PX-12; Model Ser. No. 1001-Up

CAMSHAFT GROUP

QTY	CAMSHAFT/LIFTER	PART NO.	SIZE	DESCRIPTION
12	Lifter	FP-6732-41-2112		

COOLING SYSTEM

QTY	THERMOSTAT	PART NO.	SIZE	DESCRIPTION
2	Thermostat	FP-6742-01-1900		
1	Thermostat Gasket	FP-6742-01-0830		
QTY	WATER PUMP	PART NO.	SIZE	DESCRIPTION
1	Water Pump - Heavy Duty	FP-6742-01-5040		Hardened pulley
1	Water Pump - Heavy Duty	FP-6742-01-5578		Long nose

CRANKSHAFT/OIL PUMP

QTY	CRANKSHAFT	PART NO.	SIZE	DESCRIPTION
1	Crankshaft	FP-6742-01-1570		
QTY	MAIN BEARINGS	PART NO.	SIZE	DESCRIPTION
1	Main Bearing Set	FP-6742-01-5199		STD
1	Main Bearing Set	FP-6742-01-5233		.25MM
1	Main Bearing Set	FP-6742-01-5240		.50MM
1	Main Bearing Set	FP-6742-01-5287		.75MM
1	Main Bearing Set	FP-6742-01-5288		1.00MM
1	Thrust Washer	FP-6742-01-5272		.25MM O/S
1	Thrust Washer	FP-6742-01-5442		.50MM O/S
QTY	OIL PUMP	PART NO.	SIZE	DESCRIPTION
1	Oil Pump	FP-6742-01-5201		
QTY	SEALS - FRONT CRANK	PART NO.	SIZE	DESCRIPTION
1	Oil Seal	FP-6742-02-1110		
QTY	SEALS - REAR CRANK	PART NO.	SIZE	DESCRIPTION
1	Oil Seal	FP-6735-K2-3001		
1	Oil Seal	FP-6736-39-1130		Wet housing
1	Oil Seal Kit	FP-6736-39-1140		Dry housing

CYL. HEAD & PARTS

QTY	GASKETS	PART NO.	SIZE	DESCRIPTION
1	Head Gasket	FP-6742-01-5582		
1	Head Gasket Set	FP-6742-01-4280		

(continued on next page)

95 8.3L 505 OHV L6, 4.49" Bore				
(cont.)				
CYL. HEAD & PARTS (cont.)				
QTY	GASKETS (cont.)	PART NO.	SIZE	DESCRIPTION
1	Valve Cover Gasket	FP-6742-01-0710		
QTY	PUSH RODS	PART NO.	SIZE	DESCRIPTION
12	Push Rod	FP-6742-01-1250		
QTY	VALVE	PART NO.	SIZE	DESCRIPTION
24	Valve Keeper	FP-6742-01-2990		Int. & Exh.
6	Valve Kit, Exhaust	FP-6742-01-3000		
6	Valve, Intake	FP-6742-01-0150		
QTY	VALVE GUIDE	PART NO.	SIZE	DESCRIPTION
12	Valve Guide	FP-6742-01-3240		
QTY	VALVE SEAT	PART NO.	SIZE	DESCRIPTION
6	Valve Seat	FP-1241223H2		Int.
6	Valve Seat	FP-1307586H1		Exh.
QTY	VALVE SPRING	PART NO.	SIZE	DESCRIPTION
12	Valve Spring	FP-6742-01-3020		Upper
12	Valve Spring Seat	FP-6742-01-3030		
CYLINDER COMPONENTS				
QTY	CONNECTING RODS & BRGS.	PART NO.	SIZE	DESCRIPTION
12	Rod Bearing Half Upper/Lower	FP-6742-01-2750	STD	
12	Rod Bearing Half Upper/Lower	FP-6742-01-2810	.25MM	
12	Rod Bearing Half Upper/Lower	FP-6742-01-2820	.50MM	
12	Rod Bearing Half Upper/Lower	FP-6742-01-2830	.75MM	
12	Rod Bearing Half Upper/Lower	FP-6742-01-2840	1.00MM	
QTY	LINERS	PART NO.	SIZE	DESCRIPTION
6	Cylinder Kit Complete	FP-1307230H91		
6	Liner w/Sealing Rings	FP-6742-01-1500		
6	Sealing Ring, Liner	FP-6742-01-1520		
QTY	PISTON RINGS	PART NO.	SIZE	DESCRIPTION
6	Ring Set, Single Cylinder	FP-1241748H92		
QTY	PISTONS	PART NO.	SIZE	DESCRIPTION
6	Piston Kit w/Pin & Retainers	FP-1304902H91		
6	Piston Pin	FP-6742-01-5474		
6	Piston Pin Bushing	FP-6742-01-2740		
12	Piston Pin Retainer	FP-6742-01-5309		
ENGINE BLOCK & PARTS				
QTY	CAM BEARINGS	PART NO.	SIZE	DESCRIPTION
7	Camshaft Bearing	FP-6742-01-5160		
QTY	GASKET SETS	PART NO.	SIZE	DESCRIPTION
1	Conversion Gasket Set	FP-6742-01-5140		
QTY	GASKETS	PART NO.	SIZE	DESCRIPTION
1	Oil Pan Gasket	FP-6742-01-5308		
FUEL SYSTEM & PARTS				
QTY	FUEL INJECTION	PART NO.	SIZE	DESCRIPTION
6	Fuel Injector - New	FP-6742-01-5203		
INT & EXH MANIFOLDS				
QTY	INT. & EXH. MANIFOLDS	PART NO.	SIZE	DESCRIPTION
6	Exhaust Manifold Gasket	FP-6742-01-4010		
2	Intake Manifold Gasket	FP-6741-11-4510		
96 8.3L 505 OHV L6, 4.49" Bore				
Excavator				
SA6D114; Build Series 1; Model PC300LC-5; Model Ser. No. A30001-Up				
CAMSHAFT GROUP				
QTY	CAMSHAFT/LIFTER	PART NO.	SIZE	DESCRIPTION
12	Lifter	FP-6732-41-2112		
COOLING SYSTEM				
QTY	THERMOSTAT	PART NO.	SIZE	DESCRIPTION
2	Thermostat	FP-6742-01-1900		
1	Thermostat Gasket	FP-6742-01-0830		

(continued on next page)

COOLING SYSTEM (cont.)				
QTY	WATER PUMP	PART NO.	SIZE	DESCRIPTION
1	Water Pump - Heavy Duty	FP-6742-01-5040		Hardened pulley
CRANKSHAFT/OIL PUMP				
QTY	CRANKSHAFT	PART NO.	SIZE	DESCRIPTION
1	Crankshaft	FP-6742-01-1570		
QTY	MAIN BEARINGS	PART NO.	SIZE	DESCRIPTION
1	Main Bearing Set	FP-6742-01-5199	STD	
1	Main Bearing Set	FP-6742-01-5233	.25MM	
1	Main Bearing Set	FP-6742-01-5240	.50MM	
1	Main Bearing Set	FP-6742-01-5287	.75MM	
1	Main Bearing Set	FP-6742-01-5288	1.00MM	
1	Thrust Washer	FP-6742-01-5272	.25MM	O/S
1	Thrust Washer	FP-6742-01-5442	.50MM	O/S
QTY	OIL PUMP	PART NO.	SIZE	DESCRIPTION
1	Oil Pump	FP-6742-01-5201		
QTY	SEALS - FRONT CRANK	PART NO.	SIZE	DESCRIPTION
1	Oil Seal	FP-6742-02-1110		
QTY	SEALS - REAR CRANK	PART NO.	SIZE	DESCRIPTION
1	Oil Seal	FP-6735-K2-3001		
1	Oil Seal	FP-6736-39-1130		Wet housing
1	Oil Seal Kit	FP-6736-39-1140		Dry housing
CYL. HEAD & PARTS				
QTY	GASKETS	PART NO.	SIZE	DESCRIPTION
1	Head Gasket	FP-6742-01-5582		
1	Head Gasket Set	FP-6742-01-4280		
1	Valve Cover Gasket	FP-6742-01-0710		
QTY	PUSH RODS	PART NO.	SIZE	DESCRIPTION
12	Push Rod	FP-6742-01-1250		
QTY	VALVE	PART NO.	SIZE	DESCRIPTION
24	Valve Keeper	FP-6742-01-2990		Int. & Exh.
6	Valve Kit, Exhaust	FP-6742-01-3000		
6	Valve, Intake	FP-6742-01-0150		
QTY	VALVE GUIDE	PART NO.	SIZE	DESCRIPTION
12	Valve Guide	FP-6742-01-3240		
QTY	VALVE SEAT	PART NO.	SIZE	DESCRIPTION
6	Valve Seat	FP-1241223H2		Int.
6	Valve Seat	FP-1307586H1		Exh.
QTY	VALVE SPRING	PART NO.	SIZE	DESCRIPTION
12	Valve Spring	FP-6742-01-3020		
12	Valve Spring Seat	FP-6742-01-3030		Upper
CYLINDER COMPONENTS				
QTY	CONNECTING RODS & BRGS.	PART NO.	SIZE	DESCRIPTION
12	Rod Bearing Half Upper/Lower	FP-6742-01-2750	STD	
12	Rod Bearing Half Upper/Lower	FP-6742-01-2810	.25MM	
12	Rod Bearing Half Upper/Lower	FP-6742-01-2820	.50MM	
12	Rod Bearing Half Upper/Lower	FP-6742-01-2830	.75MM	
12	Rod Bearing Half Upper/Lower	FP-6742-01-2840	1.00MM	
QTY	LINERS	PART NO.	SIZE	DESCRIPTION
6	Cylinder Kit Complete	FP-LK6742		
6	Liner w/o Sealing Ring	FP-1241175H92		
6	Sealing Ring, Liner	FP-6742-01-1520		
QTY	PISTON RINGS	PART NO.	SIZE	DESCRIPTION
6	Ring Set, Single Cylinder	FP-1241180H1		
QTY	PISTONS	PART NO.	SIZE	DESCRIPTION
6	Piston Kit w/Pin & Retainers	FP-1295693H91		
6	Piston Pin	FP-6742-01-5474		
6	Piston Pin Bushing	FP-6742-01-2740		
12	Piston Pin Retainer	FP-6742-01-5309		

(continued on next page)

96 8.3L 505 OHV L6, 4.49" Bore (cont.)				
ENGINE BLOCK & PARTS				
QTY	CAM BEARINGS	PART NO.	SIZE	DESCRIPTION
7	Camshaft Bearing	FP-6742-01-5160		
QTY	GASKET SETS	PART NO.	SIZE	DESCRIPTION
1	Conversion Gasket Set	FP-6742-01-5140		
QTY	GASKETS	PART NO.	SIZE	DESCRIPTION
1	Oil Pan Gasket	FP-6742-01-5308		
INT & EXH MANIFOLDS				
QTY	INT. & EXH. MANIFOLDS	PART NO.	SIZE	DESCRIPTION
6	Exhaust Manifold Gasket	FP-6742-01-4010		
2	Intake Manifold Gasket	FP-6741-11-4510		
97 8.3L 505 OHV L6, 4.49" Bore				
Excavator				
SA6D114E; Build Series 1; Model PC300HD-6LC; From Model Ser. No. A80001 to A83000				
SA6D114E; Build Series 1; Model PC300HD-6LE; From Model Ser. No. A83001 to A84000				
SA6D114E; Build Series 1; Model PC300LC-6; From Model Ser. No. A80001 to A84000				
SA6D114E; Build Series 1; Model PC300LL-6; Model Ser. No. A84001-Up				
SA6D114E; Build Series 1A-KU; Eng. Ser. No. 21212392-Up; Model PC380LC-6K; Model Ser. No. K30001-Up				
SA6D114E; Build Series 1A; Eng. Ser. No. 21212392-Up; Model PC340-6K; Model Ser. No. K30001-Up				
SA6D114E; Build Series 1A; Eng. Ser. No. 21212392-Up; Model PC340LC-6K; Model Ser. No. K30001-Up				
SA6D114E; Build Series 1A; Eng. Ser. No. 21212392-Up; Model PC340NLC-6K; Model Ser. No. K30001-Up				
CAMSHAFT GROUP				
QTY	CAMSHAFT/LIFTER	PART NO.	SIZE	DESCRIPTION
12	Lifter	FP-6732-41-2112		
COOLING SYSTEM				
QTY	THERMOSTAT	PART NO.	SIZE	DESCRIPTION
2	Thermostat	FP-6742-01-1900		
1	Thermostat Gasket	FP-6742-01-0830		
QTY	WATER PUMP	PART NO.	SIZE	DESCRIPTION
1	Water Pump - Heavy Duty	FP-6742-01-5040		Hardened pulley
1	Water Pump - Heavy Duty	FP-6742-01-5578		Long nose
CRANKSHAFT/OIL PUMP				
QTY	CRANKSHAFT	PART NO.	SIZE	DESCRIPTION
1	Crankshaft	FP-6742-01-1570		
QTY	MAIN BEARINGS	PART NO.	SIZE	DESCRIPTION
1	Main Bearing Set	FP-6742-01-5199		STD
1	Main Bearing Set	FP-6742-01-5233		.25MM
1	Main Bearing Set	FP-6742-01-5240		.50MM
1	Main Bearing Set	FP-6742-01-5287		.75MM
1	Main Bearing Set	FP-6742-01-5288		1.00MM
1	Thrust Washer	FP-6742-01-5272		.25MM O/S
1	Thrust Washer	FP-6742-01-5442		.50MM O/S
QTY	OIL PUMP	PART NO.	SIZE	DESCRIPTION
1	Oil Pump	FP-6742-01-5201		
QTY	SEALS - FRONT CRANK	PART NO.	SIZE	DESCRIPTION
1	Oil Seal	FP-6742-02-1110		
QTY	SEALS - REAR CRANK	PART NO.	SIZE	DESCRIPTION
1	Oil Seal	FP-6735-K2-3001		
1	Oil Seal	FP-6736-39-1130		Wet housing
1	Oil Seal Kit	FP-6736-39-1140		Dry housing
CYL. HEAD & PARTS				
QTY	GASKETS	PART NO.	SIZE	DESCRIPTION
1	Head Gasket	FP-6742-01-5582		
1	Head Gasket Set	FP-6742-01-4280		
1	Valve Cover Gasket	FP-6742-01-0710		
QTY	PUSH RODS	PART NO.	SIZE	DESCRIPTION
12	Push Rod	FP-6742-01-1250		
QTY	VALVE	PART NO.	SIZE	DESCRIPTION
24	Valve Keeper	FP-6742-01-2990		Int. & Exh.
6	Valve Kit, Exhaust	FP-6742-01-3000		

(continued on next page)

8.3L 505 OHV L6, 4.49" Bore 97
(cont.)

CYL. HEAD & PARTS (cont.)

QTY	VALVE (cont.)	PART NO.	SIZE	DESCRIPTION
6	Valve, Intake	FP-6742-01-0150		
QTY	VALVE GUIDE	PART NO.	SIZE	DESCRIPTION
12	Valve Guide	FP-6742-01-3240		
QTY	VALVE SEAT	PART NO.	SIZE	DESCRIPTION
6	Valve Seat	FP-1241223H2		Int.
6	Valve Seat	FP-1307586H1		Exh.
QTY	VALVE SPRING	PART NO.	SIZE	DESCRIPTION
12	Valve Spring	FP-6742-01-3020		
12	Valve Spring Seat	FP-6742-01-3030		Upper

CYLINDER COMPONENTS

QTY	CONNECTING RODS & BRGS.	PART NO.	SIZE	DESCRIPTION
12	Rod Bearing Half Upper/Lower	FP-6742-01-2750	STD	
12	Rod Bearing Half Upper/Lower	FP-6742-01-2810	.25MM	
12	Rod Bearing Half Upper/Lower	FP-6742-01-2820	.50MM	
12	Rod Bearing Half Upper/Lower	FP-6742-01-2830	.75MM	
12	Rod Bearing Half Upper/Lower	FP-6742-01-2840	1.00MM	
QTY	LINERS	PART NO.	SIZE	DESCRIPTION
6	Cylinder Kit Complete	FP-1307230H91		
6	Liner w/Sealing Rings	FP-6742-01-1500		
6	Sealing Ring, Liner	FP-6742-01-1520		
QTY	PISTON RINGS	PART NO.	SIZE	DESCRIPTION
6	Ring Set, Single Cylinder	FP-1241748H92		
QTY	PISTONS	PART NO.	SIZE	DESCRIPTION
6	Piston Kit w/Pin & Retainers	FP-1304902H91		
6	Piston Pin	FP-6742-01-5474		
6	Piston Pin Bushing	FP-6742-01-2740		
12	Piston Pin Retainer	FP-6742-01-5309		

ENGINE BLOCK & PARTS

QTY	CAM BEARINGS	PART NO.	SIZE	DESCRIPTION
7	Camshaft Bearing	FP-6742-01-5160		
QTY	GASKET SETS	PART NO.	SIZE	DESCRIPTION
1	Conversion Gasket Set	FP-6742-01-5140		
QTY	GASKETS	PART NO.	SIZE	DESCRIPTION
1	Oil Pan Gasket	FP-6742-01-5308		

INT & EXH MANIFOLDS

QTY	INT. & EXH. MANIFOLDS	PART NO.	SIZE	DESCRIPTION
6	Exhaust Manifold Gasket	FP-6742-01-4010		
2	Intake Manifold Gasket	FP-6741-11-4510		

8.3L 505 OHV L6, 4.49" Bore 98

Excavator

SA6D114E; Build Series 1-GD; Model PC300HD-6LE; Model Ser. No. A84001-Up
SA6D114E; Build Series 1-GD; Model PC300LC-6LE; Model Ser. No. A84001-Up

CAMSHAFT GROUP

QTY	CAMSHAFT/LIFTER	PART NO.	SIZE	DESCRIPTION
12	Lifter	FP-6732-41-2112		

COOLING SYSTEM

QTY	THERMOSTAT	PART NO.	SIZE	DESCRIPTION
2	Thermostat	FP-6742-01-1900		
1	Thermostat Gasket	FP-6742-01-0830		
QTY	WATER PUMP	PART NO.	SIZE	DESCRIPTION
1	Water Pump - Heavy Duty	FP-6742-01-5578		Long nose

CRANKSHAFT/OIL PUMP

QTY	CRANKSHAFT	PART NO.	SIZE	DESCRIPTION
1	Crankshaft	FP-6742-01-1570		
QTY	MAIN BEARINGS	PART NO.	SIZE	DESCRIPTION
1	Main Bearing Set	FP-6742-01-5199	STD	
1	Main Bearing Set	FP-6742-01-5233	.25MM	

(continued on next page)

98 8.3L 505 OHV L6, 4.49" Bore				
(cont.)				
CRANKSHAFT/OIL PUMP (cont.)				
QTY	MAIN BEARINGS (cont.)	PART NO.	SIZE	DESCRIPTION
1	Main Bearing Set	FP-6742-01-5240	.50MM	
1	Main Bearing Set	FP-6742-01-5287	.75MM	
1	Main Bearing Set	FP-6742-01-5288	1.00MM	
1	Thrust Washer	FP-6742-01-5272	.25MM	O/S
1	Thrust Washer	FP-6742-01-5442	.50MM	O/S
QTY	OIL PUMP	PART NO.	SIZE	DESCRIPTION
1	Oil Pump	FP-6742-01-5201		
QTY	SEALS - FRONT CRANK	PART NO.	SIZE	DESCRIPTION
1	Oil Seal	FP-6742-02-1110		
QTY	SEALS - REAR CRANK	PART NO.	SIZE	DESCRIPTION
1	Oil Seal	FP-6735-K2-3001		
1	Oil Seal	FP-6736-39-1130		Wet housing
1	Oil Seal Kit	FP-6736-39-1140		Dry housing
CYL. HEAD & PARTS				
QTY	GASKETS	PART NO.	SIZE	DESCRIPTION
1	Head Gasket	FP-6742-01-5582		
1	Head Gasket Set	FP-6742-01-4280		
1	Valve Cover Gasket	FP-6742-01-0710		
QTY	PUSH RODS	PART NO.	SIZE	DESCRIPTION
12	Push Rod	FP-6742-01-1250		
QTY	VALVE	PART NO.	SIZE	DESCRIPTION
24	Valve Keeper	FP-6742-01-2990		Int. & Exh.
6	Valve Kit, Exhaust	FP-6742-01-3000		
6	Valve, Intake	FP-6742-01-0150		
QTY	VALVE GUIDE	PART NO.	SIZE	DESCRIPTION
12	Valve Guide	FP-6742-01-3240		
QTY	VALVE SEAT	PART NO.	SIZE	DESCRIPTION
6	Valve Seat	FP-1241223H2		Int.
6	Valve Seat	FP-1307586H1		Exh.
QTY	VALVE SPRING	PART NO.	SIZE	DESCRIPTION
12	Valve Spring	FP-6742-01-3020		
12	Valve Spring Seat	FP-6742-01-3030		Upper
CYLINDER COMPONENTS				
QTY	CONNECTING RODS & BRGS.	PART NO.	SIZE	DESCRIPTION
12	Rod Bearing Half Upper/Lower	FP-6742-01-2750		STD
12	Rod Bearing Half Upper/Lower	FP-6742-01-2810	.25MM	
12	Rod Bearing Half Upper/Lower	FP-6742-01-2820	.50MM	
12	Rod Bearing Half Upper/Lower	FP-6742-01-2830	.75MM	
12	Rod Bearing Half Upper/Lower	FP-6742-01-2840	1.00MM	
QTY	LINERS	PART NO.	SIZE	DESCRIPTION
6	Cylinder Kit Complete	FP-LK5159		
6	Liner w/Sealing Rings	FP-6742-01-5159		
6	Sealing Ring, Liner	FP-6742-01-1520		
QTY	PISTON RINGS	PART NO.	SIZE	DESCRIPTION
6	Ring Set, Single Cylinder	FP-1241748H92		
QTY	PISTONS	PART NO.	SIZE	DESCRIPTION
6	Piston Kit w/Pin & Retainers	FP-1304902H91		
6	Piston Pin	FP-6742-01-5474		
6	Piston Pin Bushing	FP-6742-01-2740		
12	Piston Pin Retainer	FP-6742-01-5309		
ENGINE BLOCK & PARTS				
QTY	CAM BEARINGS	PART NO.	SIZE	DESCRIPTION
7	Camshaft Bearing	FP-6742-01-5160		
QTY	GASKET SETS	PART NO.	SIZE	DESCRIPTION
1	Conversion Gasket Set	FP-6742-01-5140		
QTY	GASKETS	PART NO.	SIZE	DESCRIPTION
1	Oil Pan Gasket	FP-6742-01-5308		

(continued on next page)

8.3L 505 OHV L6, 4.49" Bore 98
(cont.)

INT & EXH MANIFOLDS

QTY	INT. & EXH. MANIFOLDS	PART NO.	SIZE	DESCRIPTION
6	Exhaust Manifold Gasket	FP-6742-01-4010		
2	Intake Manifold Gasket	FP-6741-11-4510		

8.3L 505 OHV L6, 4.49" Bore 99
Excavator

SAA6D114E; Build Series 2A-A; Eng. Ser. No. 26800003-Up; Model PC300-7-W1; Model Ser. No. 40001-Up
 SAA6D114E; Build Series 2A-A; Eng. Ser. No. 26800003-Up; Model PC300HD-7; Model Ser. No. 40001-Up
 SAA6D114E; Build Series 2A-A; Eng. Ser. No. 26800003-Up; Model PC300HD-7L; Model Ser. No. A85001-Up
 SAA6D114E; Build Series 2A-A; Eng. Ser. No. 26800003-Up; Model PC300LC-7-W1; Model Ser. No. 40001-Up
 SAA6D114E; Build Series 2A-A; Eng. Ser. No. 26800003-Up; Model PC300LC-7; Model Ser. No. 40001-Up
 SAA6D114E; Build Series 2A-A; Eng. Ser. No. 26800003-Up; Model PC300LC-7L; Model Ser. No. A85001-Up
 SAA6D114E; Build Series 2A-A; Eng. Ser. No. 26800003-Up; Model PC340LC-7K; Model Ser. No. K40001-Up
 SAA6D114E; Build Series 2A-A; Eng. Ser. No. 26800003-Up; Model PC350-7-W1; Model Ser. No. 20001-Up
 SAA6D114E; Build Series 2A-A; Eng. Ser. No. 26800003-Up; Model PC350LC-7-W1; Model Ser. No. 20001-Up

CAMSHAFT GROUP

QTY	CAMSHAFT/LIFTER	PART NO.	SIZE	DESCRIPTION
12	Lifter	FP-6732-41-2112		

COOLING SYSTEM

QTY	THERMOSTAT	PART NO.	SIZE	DESCRIPTION
2	Thermostat	FP-6741-61-1610		
1	Thermostat Gasket	FP-6742-01-0830		
QTY	WATER PUMP	PART NO.	SIZE	DESCRIPTION
1	Water Pump - Heavy Duty	FP-6741-61-1530		

CRANKSHAFT/OIL PUMP

QTY	CRANKSHAFT	PART NO.	SIZE	DESCRIPTION
1	Crankshaft	FP-6742-01-1570		
QTY	MAIN BEARINGS	PART NO.	SIZE	DESCRIPTION
1	Main Bearing Set	FP-6742-01-5199	STD	
1	Main Bearing Set	FP-6742-01-5233	.25MM	
1	Main Bearing Set	FP-6742-01-5240	.50MM	
1	Main Bearing Set	FP-6742-01-5287	.75MM	
1	Main Bearing Set	FP-6742-01-5288	1.00MM	
1	Thrust Washer	FP-6742-01-5272	.25MM	O/S
1	Thrust Washer	FP-6742-01-5442	.50MM	O/S
QTY	OIL PUMP	PART NO.	SIZE	DESCRIPTION
1	Oil Pump	FP-6741-51-1110		
QTY	SEALS - FRONT CRANK	PART NO.	SIZE	DESCRIPTION
1	Oil Seal	FP-6742-02-1110		
QTY	SEALS - REAR CRANK	PART NO.	SIZE	DESCRIPTION
1	Oil Seal	FP-6735-K2-3001		
1	Oil Seal	FP-6736-39-1130		Wet housing
1	Oil Seal Kit	FP-6736-39-1140		Dry housing

CYL. HEAD & PARTS

QTY	GASKETS	PART NO.	SIZE	DESCRIPTION
1	Head Gasket	FP-6742-01-5582		
1	Head Gasket Set	FP-6742-01-4280		
1	Valve Cover Gasket	FP-6742-01-0710		
QTY	PUSH RODS	PART NO.	SIZE	DESCRIPTION
12	Push Rod	FP-6742-01-1250		
QTY	VALVE	PART NO.	SIZE	DESCRIPTION
24	Valve Keeper	FP-6742-01-2990		Int. & Exh.
6	Valve Kit, Exhaust	FP-6742-01-3000		
6	Valve, Intake	FP-6742-01-0150		
QTY	VALVE GUIDE	PART NO.	SIZE	DESCRIPTION
12	Valve Guide	FP-6742-01-3240		
QTY	VALVE SEAT	PART NO.	SIZE	DESCRIPTION
6	Valve Seat	FP-1241223H2		Int.
6	Valve Seat	FP-1307586H1		Exh.
QTY	VALVE SPRING	PART NO.	SIZE	DESCRIPTION
12	Valve Spring	FP-6742-01-3020		

(continued on next page)

99 8.3L 505 OHV L6, 4.49" Bore (cont.)				
CYL. HEAD & PARTS (cont.)				
QTY	VALVE SPRING (cont.)	PART NO.	SIZE	DESCRIPTION
12	Valve Spring Seat	FP-6742-01-3030		Upper
CYLINDER COMPONENTS				
QTY	CONNECTING RODS & BRGS.	PART NO.	SIZE	DESCRIPTION
12	Rod Bearing Half Upper/Lower	FP-6742-01-2750	STD	
12	Rod Bearing Half Upper/Lower	FP-6742-01-2810	.25MM	
12	Rod Bearing Half Upper/Lower	FP-6742-01-2820	.50MM	
12	Rod Bearing Half Upper/Lower	FP-6742-01-2830	.75MM	
12	Rod Bearing Half Upper/Lower	FP-6742-01-2840	1.00MM	
QTY	LINERS	PART NO.	SIZE	DESCRIPTION
6	Cylinder Kit Complete	FP-LK6743		
6	Liner w/Sealing Rings	FP-6742-01-5159		
6	Sealing Ring, Liner	FP-6742-01-1520		
QTY	PISTON RINGS	PART NO.	SIZE	DESCRIPTION
6	Ring Set, Single Cylinder	FP-1241748H92		
QTY	PISTONS	PART NO.	SIZE	DESCRIPTION
6	Piston Body w/o Pin	FP-6743-31-2110		
6	Piston Kit w/Pin & Retainers	FP-6743-31-2101		
6	Piston Pin	FP-6742-01-5474		
6	Piston Pin Bushing	FP-6742-01-2740		
12	Piston Pin Retainer	FP-6742-01-5309		
ENGINE BLOCK & PARTS				
QTY	CAM BEARINGS	PART NO.	SIZE	DESCRIPTION
7	Camshaft Bearing	FP-6742-01-5160		
QTY	GASKET SETS	PART NO.	SIZE	DESCRIPTION
1	Conversion Gasket Set	FP-6742-01-5140		
QTY	GASKETS	PART NO.	SIZE	DESCRIPTION
1	Oil Pan Gasket	FP-6742-01-5308		
FUEL SYSTEM & PARTS				
QTY	FUEL INJECTION	PART NO.	SIZE	DESCRIPTION
6	Fuel Injector - New	FP-6743-11-3320		
6	Fuel Injector Nozzle	FP-6743-11-3120		
INT & EXH MANIFOLDS				
QTY	INT. & EXH. MANIFOLDS	PART NO.	SIZE	DESCRIPTION
6	Exhaust Manifold Gasket	FP-6742-01-4010		
2	Intake Manifold Gasket	FP-6741-11-4510		
100 8.3L 505 OHV L6, 4.49" Bore <i>Grader</i>				
S6D114; Build Series 1; Eng. Ser. No. Up to 44706125; Model GD650A-2; Model Ser. No. 202001-Up				
S6D114; Build Series 1; Eng. Ser. No. Up to 44706125; Model GD650A; From Model Ser. No. 200840 to 201999				
S6D114; Build Series 1; Eng. Ser. No. Up to 44706125; Model GD650A; Model Ser. No. 202002-Up				
S6D114; Build Series 1; Eng. Ser. No. Up to 44706125; Model GD650AW-1; From Model Ser. No. 200840 to 201999				
S6D114; Build Series 1; Eng. Ser. No. Up to 44706125; Model GD650AW-2A; Model Ser. No. 202002-Up				
S6D114; Build Series 1; Eng. Ser. No. Up to 44706125; Model GD650AW-2B; Model Ser. No. 202002-Up				
S6D114; Build Series 1; Eng. Ser. No. Up to 44706125; Model GD650AW-2C; Model Ser. No. 202002-Up				
S6D114; Build Series 1; Eng. Ser. No. Up to 44706125; Model GD670A; Model Ser. No. 200840-Up				
S6D114; Build Series 1; Eng. Ser. No. Up to 44706125; Model GD670AW-1; From Model Ser. No. 200840 to 201999				
S6D114; Build Series 1; Eng. Ser. No. Up to 44706125; Model GD670AW-2B; Model Ser. No. 202002-Up				
S6D114; Build Series 1; Eng. Ser. No. Up to 44706125; Model GD670AW-2C; Model Ser. No. 202002-Up				
CAMSHAFT GROUP				
QTY	CAMSHAFT/LIFTER	PART NO.	SIZE	DESCRIPTION
12	Lifter	FP-6732-41-2112		
COOLING SYSTEM				
QTY	THERMOSTAT	PART NO.	SIZE	DESCRIPTION
2	Thermostat	FP-6742-01-1900		
1	Thermostat Gasket	FP-6742-01-0830		
QTY	WATER PUMP	PART NO.	SIZE	DESCRIPTION
1	Water Pump - Heavy Duty	FP-6742-01-5040		Hardened pulley

(continued on next page)

8.3L 505 OHV L6, 4.49" Bore **100**
(cont.)

CRANKSHAFT/OIL PUMP				
QTY	CRANKSHAFT	PART NO.	SIZE	DESCRIPTION
1	Crankshaft	FP-6742-01-1570		
QTY	MAIN BEARINGS	PART NO.	SIZE	DESCRIPTION
1	Main Bearing Set	FP-6742-01-5199	STD	
1	Main Bearing Set	FP-6742-01-5233	.25MM	
1	Main Bearing Set	FP-6742-01-5240	.50MM	
1	Main Bearing Set	FP-6742-01-5287	.75MM	
1	Main Bearing Set	FP-6742-01-5288	1.00MM	
1	Thrust Washer	FP-6742-01-5272	.25MM	O/S
1	Thrust Washer	FP-6742-01-5442	.50MM	O/S
QTY	OIL PUMP	PART NO.	SIZE	DESCRIPTION
1	Oil Pump	FP-6742-01-5201		
QTY	SEALS - FRONT CRANK	PART NO.	SIZE	DESCRIPTION
1	Oil Seal	FP-6742-02-1110		
QTY	SEALS - REAR CRANK	PART NO.	SIZE	DESCRIPTION
1	Oil Seal	FP-6735-K2-3001		
1	Oil Seal	FP-6736-39-1130		Wet housing
1	Oil Seal Kit	FP-6736-39-1140		Dry housing
CYL. HEAD & PARTS				
QTY	GASKETS	PART NO.	SIZE	DESCRIPTION
1	Head Gasket	FP-6742-01-5582		
1	Head Gasket Set	FP-6742-01-4280		
1	Valve Cover Gasket	FP-6742-01-0710		
QTY	PUSH RODS	PART NO.	SIZE	DESCRIPTION
12	Push Rod	FP-6742-01-1250		
QTY	VALVE	PART NO.	SIZE	DESCRIPTION
24	Valve Keeper	FP-6742-01-2990		Int. & Exh.
6	Valve Kit, Exhaust	FP-6742-01-3000		
6	Valve, Intake	FP-6742-01-0150		
QTY	VALVE GUIDE	PART NO.	SIZE	DESCRIPTION
12	Valve Guide	FP-6742-01-3240		
QTY	VALVE SEAT	PART NO.	SIZE	DESCRIPTION
6	Valve Seat	FP-1241223H2		Int.
6	Valve Seat	FP-1307586H1		Exh.
QTY	VALVE SPRING	PART NO.	SIZE	DESCRIPTION
12	Valve Spring	FP-6742-01-3020		
12	Valve Spring Seat	FP-6742-01-3030		Upper
CYLINDER COMPONENTS				
QTY	CONNECTING RODS & BRGS.	PART NO.	SIZE	DESCRIPTION
12	Rod Bearing Half Upper/Lower	FP-6742-01-2750	STD	
12	Rod Bearing Half Upper/Lower	FP-6742-01-2810	.25MM	
12	Rod Bearing Half Upper/Lower	FP-6742-01-2820	.50MM	
12	Rod Bearing Half Upper/Lower	FP-6742-01-2830	.75MM	
12	Rod Bearing Half Upper/Lower	FP-6742-01-2840	1.00MM	
QTY	LINERS	PART NO.	SIZE	DESCRIPTION
6	Cylinder Kit Complete	FP-1295692H91		
6	Liner w/o Sealing Ring	FP-1241175H92		
6	Sealing Ring, Liner	FP-6742-01-1520		
QTY	PISTON RINGS	PART NO.	SIZE	DESCRIPTION
6	Ring Set, Single Cylinder	FP-1241180H1		
QTY	PISTONS	PART NO.	SIZE	DESCRIPTION
6	Piston Kit w/Pin & Retainers	FP-1295691H91		
6	Piston Pin	FP-6742-01-5474		
6	Piston Pin Bushing	FP-6742-01-2740		
12	Piston Pin Retainer	FP-6742-01-5309		
ENGINE BLOCK & PARTS				
QTY	CAM BEARINGS	PART NO.	SIZE	DESCRIPTION
7	Camshaft Bearing	FP-6742-01-5160		
QTY	GASKET SETS	PART NO.	SIZE	DESCRIPTION
1	Conversion Gasket Set	FP-6742-01-5140		

(continued on next page)

100 8.3L 505 OHV L6, 4.49" Bore (cont.)

ENGINE BLOCK & PARTS (cont.)

QTY	GASKETS	PART NO.	SIZE	DESCRIPTION
1	Oil Pan Gasket	FP-6742-01-5308		

QTY	INT. & EXH. MANIFOLDS	PART NO.	SIZE	DESCRIPTION
6	Exhaust Manifold Gasket	FP-6742-01-4010		
2	Intake Manifold Gasket	FP-6741-11-4510		

101 8.3L 505 OHV L6, 4.49" Bore Grader

S6D114E; Build Series 1; Eng. Ser. No. 44706126-Up; Model GD670A; Model Ser. No. 210098-Up
 S6D114E; Build Series 1; Eng. Ser. No. 44706126-Up; Model GD670AW-2B; Model Ser. No. 210098-Up
 S6D114E; Build Series 1; Eng. Ser. No. 44706126-Up; Model GD670AW-2EY; Model Ser. No. 210098-Up
 S6D114E; Build Series 1; Model GD650A; Model Ser. No. 210098-Up
 S6D114E; Build Series 1; Model GD650AW-2B; Model Ser. No. 210098-Up
 S6D114E; Build Series 1; Model GD650AW-2EY; Model Ser. No. 210098-Up
 S6D114E; Build Series 1A; Eng. Ser. No. 30456012-Up; Model GD650A; Model Ser. No. 202002-Up
 S6D114E; Build Series 1A; Eng. Ser. No. 30456012-Up; Model GD650AW-2B; Model Ser. No. 202002-Up
 S6D114E; Build Series 1A; Eng. Ser. No. 30456012-Up; Model GD650AW-2C; Model Ser. No. 202002-Up
 S6D114E; Build Series 1A; Eng. Ser. No. 30456012-Up; Model GD670A; Model Ser. No. 202002-Up
 S6D114E; Build Series 1A; Eng. Ser. No. 30456012-Up; Model GD670AW-2B; Model Ser. No. 202002-Up
 S6D114E; Build Series 1A; Eng. Ser. No. 30456012-Up; Model GD670AW-2C; Model Ser. No. 202002-Up

CAMSHAFT GROUP

QTY	CAMSHAFT/LIFTER	PART NO.	SIZE	DESCRIPTION
12	Lifter	FP-6732-41-2112		

COOLING SYSTEM

QTY	THERMOSTAT	PART NO.	SIZE	DESCRIPTION
2	Thermostat	FP-6742-01-1900		
1	Thermostat Gasket	FP-6742-01-0830		

QTY	WATER PUMP	PART NO.	SIZE	DESCRIPTION
1	Water Pump - Heavy Duty	FP-6742-01-5040		Hardened pulley
1	Water Pump - Heavy Duty	FP-6742-01-5578		Long nose

CRANKSHAFT/OIL PUMP

QTY	CRANKSHAFT	PART NO.	SIZE	DESCRIPTION
1	Crankshaft	FP-6742-01-1570		

QTY	MAIN BEARINGS	PART NO.	SIZE	DESCRIPTION
1	Main Bearing Set	FP-6742-01-5199	STD	
1	Main Bearing Set	FP-6742-01-5233	.25MM	
1	Main Bearing Set	FP-6742-01-5240	.50MM	
1	Main Bearing Set	FP-6742-01-5287	.75MM	
1	Main Bearing Set	FP-6742-01-5288	1.00MM	
1	Thrust Washer	FP-6742-01-5272	.25MM	O/S
1	Thrust Washer	FP-6742-01-5442	.50MM	O/S

QTY	OIL PUMP	PART NO.	SIZE	DESCRIPTION
1	Oil Pump	FP-6742-01-5201		

QTY	SEALS - FRONT CRANK	PART NO.	SIZE	DESCRIPTION
1	Oil Seal	FP-6742-02-1110		

QTY	SEALS - REAR CRANK	PART NO.	SIZE	DESCRIPTION
1	Oil Seal	FP-6735-K2-3001		
1	Oil Seal	FP-6736-39-1130		Wet housing
1	Oil Seal Kit	FP-6736-39-1140		Dry housing

CYL. HEAD & PARTS

QTY	GASKETS	PART NO.	SIZE	DESCRIPTION
1	Head Gasket	FP-6742-01-5582		
1	Head Gasket Set	FP-6742-01-4280		
1	Valve Cover Gasket	FP-6742-01-0710		

QTY	PUSH RODS	PART NO.	SIZE	DESCRIPTION
12	Push Rod	FP-6742-01-1250		

QTY	VALVE	PART NO.	SIZE	DESCRIPTION
24	Valve Keeper	FP-6742-01-2990		Int. & Exh.
6	Valve Kit, Exhaust	FP-6742-01-3000		

(continued on next page)

8.3L 505 OHV L6, 4.49" Bore 101 (cont.)

CYL. HEAD & PARTS (cont.)

QTY	VALVE (cont.)	PART NO.	SIZE	DESCRIPTION
6	Valve, Intake	FP-6742-01-0150		
QTY	VALVE GUIDE	PART NO.	SIZE	DESCRIPTION
12	Valve Guide	FP-6742-01-3240		
QTY	VALVE SEAT	PART NO.	SIZE	DESCRIPTION
6	Valve Seat	FP-1241223H2		Int.
6	Valve Seat	FP-1307586H1		Exh.
QTY	VALVE SPRING	PART NO.	SIZE	DESCRIPTION
12	Valve Spring	FP-6742-01-3020		
12	Valve Spring Seat	FP-6742-01-3030		Upper

CYLINDER COMPONENTS

QTY	CONNECTING RODS & BRGS.	PART NO.	SIZE	DESCRIPTION
12	Rod Bearing Half Upper/Lower	FP-6742-01-2750	STD	
12	Rod Bearing Half Upper/Lower	FP-6742-01-2810	.25MM	
12	Rod Bearing Half Upper/Lower	FP-6742-01-2820	.50MM	
12	Rod Bearing Half Upper/Lower	FP-6742-01-2830	.75MM	
12	Rod Bearing Half Upper/Lower	FP-6742-01-2840	1.00MM	
QTY	LINERS	PART NO.	SIZE	DESCRIPTION
6	Cylinder Kit Complete	FP-1307230H91		
6	Liner w/Sealing Rings	FP-6742-01-1500		
6	Sealing Ring, Liner	FP-6742-01-1520		
QTY	PISTON RINGS	PART NO.	SIZE	DESCRIPTION
6	Ring Set, Single Cylinder	FP-1241748H92		
QTY	PISTONS	PART NO.	SIZE	DESCRIPTION
6	Piston Kit w/Pin & Retainers	FP-1304902H91		
6	Piston Pin	FP-6742-01-5474		
6	Piston Pin Bushing	FP-6742-01-2740		
12	Piston Pin Retainer	FP-6742-01-5309		

ENGINE BLOCK & PARTS

QTY	CAM BEARINGS	PART NO.	SIZE	DESCRIPTION
7	Camshaft Bearing	FP-6742-01-5160		
QTY	GASKET SETS	PART NO.	SIZE	DESCRIPTION
1	Conversion Gasket Set	FP-6742-01-5140		
QTY	GASKETS	PART NO.	SIZE	DESCRIPTION
1	Oil Pan Gasket	FP-6742-01-5308		

INT & EXH MANIFOLDS

QTY	INT. & EXH. MANIFOLDS	PART NO.	SIZE	DESCRIPTION
6	Exhaust Manifold Gasket	FP-6742-01-4010		
2	Intake Manifold Gasket	FP-6741-11-4510		

8.3L 505 OHV L6, 4.49" Bore 102 Grader

SA6D114E; Build Series 1-GD; Eng. Ser. No. 30456012-Up; Model GD655-3C; Model Ser. No. 50001-Up
 SA6D114E; Build Series 1-GD; Eng. Ser. No. 45992604-Up; Model GD655-3A; Model Ser. No. 10001-Up
 SA6D114E; Build Series 1-GD; Eng. Ser. No. 45992604-Up; Model GD655-3C-VH; Model Ser. No. 50001-Up
 SA6D114E; Build Series 1-GD; Eng. Ser. No. 45992604-Up; Model GD675-3A; Model Ser. No. 10001-Up
 SA6D114E; Build Series 1-GD; Eng. Ser. No. 45992604-Up; Model GD675-3C; Model Ser. No. 50001-Up

CAMSHAFT GROUP

QTY	CAMSHAFT/LIFTER	PART NO.	SIZE	DESCRIPTION
12	Lifter	FP-6732-41-2112		

COOLING SYSTEM

QTY	THERMOSTAT	PART NO.	SIZE	DESCRIPTION
2	Thermostat	FP-6742-01-1900		
1	Thermostat Gasket	FP-6742-01-0830		
QTY	WATER PUMP	PART NO.	SIZE	DESCRIPTION
1	Water Pump - Heavy Duty	FP-6742-01-5577		

(continued on next page)

102 8.3L 505 OHV L6, 4.49" Bore (cont.)

CRANKSHAFT/OIL PUMP				
QTY	CRANKSHAFT	PART NO.	SIZE	DESCRIPTION
1	Crankshaft	FP-6742-01-1570		
QTY	MAIN BEARINGS	PART NO.	SIZE	DESCRIPTION
1	Main Bearing Set	FP-6742-01-5199	STD	
1	Main Bearing Set	FP-6742-01-5233	.25MM	
1	Main Bearing Set	FP-6742-01-5240	.50MM	
1	Main Bearing Set	FP-6742-01-5287	.75MM	
1	Main Bearing Set	FP-6742-01-5288	1.00MM	
1	Thrust Washer	FP-6742-01-5272	.25MM	O/S
1	Thrust Washer	FP-6742-01-5442	.50MM	O/S
QTY	OIL PUMP	PART NO.	SIZE	DESCRIPTION
1	Oil Pump	FP-6742-01-5201		
QTY	SEALS - FRONT CRANK	PART NO.	SIZE	DESCRIPTION
1	Oil Seal	FP-6742-02-1110		
QTY	SEALS - REAR CRANK	PART NO.	SIZE	DESCRIPTION
1	Oil Seal	FP-6735-K2-3001		
1	Oil Seal	FP-6736-39-1130		Wet housing
1	Oil Seal Kit	FP-6736-39-1140		Dry housing
CYL. HEAD & PARTS				
QTY	GASKETS	PART NO.	SIZE	DESCRIPTION
1	Head Gasket	FP-6742-01-5582		
1	Head Gasket Set	FP-6742-01-4280		
1	Valve Cover Gasket	FP-6742-01-0710		
QTY	PUSH RODS	PART NO.	SIZE	DESCRIPTION
12	Push Rod	FP-6742-01-1250		
QTY	VALVE	PART NO.	SIZE	DESCRIPTION
24	Valve Keeper	FP-6742-01-2990		Int. & Exh.
6	Valve Kit, Exhaust	FP-6742-01-3000		
6	Valve, Intake	FP-6742-01-0150		
QTY	VALVE GUIDE	PART NO.	SIZE	DESCRIPTION
12	Valve Guide	FP-6742-01-3240		
QTY	VALVE SEAT	PART NO.	SIZE	DESCRIPTION
6	Valve Seat	FP-1241223H2		Int.
6	Valve Seat	FP-1307586H1		Exh.
QTY	VALVE SPRING	PART NO.	SIZE	DESCRIPTION
12	Valve Spring	FP-6742-01-3020		
12	Valve Spring Seat	FP-6742-01-3030		Upper
CYLINDER COMPONENTS				
QTY	CONNECTING RODS & BRGS.	PART NO.	SIZE	DESCRIPTION
12	Rod Bearing Half Upper/Lower	FP-6742-01-2750	STD	
12	Rod Bearing Half Upper/Lower	FP-6742-01-2810	.25MM	
12	Rod Bearing Half Upper/Lower	FP-6742-01-2820	.50MM	
12	Rod Bearing Half Upper/Lower	FP-6742-01-2830	.75MM	
12	Rod Bearing Half Upper/Lower	FP-6742-01-2840	1.00MM	
QTY	LINERS	PART NO.	SIZE	DESCRIPTION
6	Cylinder Kit Complete	FP-LK5159		
6	Liner w/Sealing Rings	FP-6742-01-5159		
6	Sealing Ring, Liner	FP-6742-01-1520		
QTY	PISTON RINGS	PART NO.	SIZE	DESCRIPTION
6	Ring Set, Single Cylinder	FP-1241748H92		
QTY	PISTONS	PART NO.	SIZE	DESCRIPTION
6	Piston Kit w/Pin & Retainers	FP-1304902H91		
6	Piston Pin	FP-6742-01-5474		
6	Piston Pin Bushing	FP-6742-01-2740		
12	Piston Pin Retainer	FP-6742-01-5309		
ENGINE BLOCK & PARTS				
QTY	CAM BEARINGS	PART NO.	SIZE	DESCRIPTION
7	Camshaft Bearing	FP-6742-01-5160		
QTY	GASKET SETS	PART NO.	SIZE	DESCRIPTION
1	Conversion Gasket Set	FP-6742-01-5140		

(continued on next page)

8.3L 505 OHV L6, 4.49" Bore 102 (cont.)

ENGINE BLOCK & PARTS (cont.)

QTY	GASKETS	PART NO.	SIZE	DESCRIPTION
1	Oil Pan Gasket	FP-6742-01-5308		

FUEL SYSTEM & PARTS				
QTY	FUEL INJECTION	PART NO.	SIZE	DESCRIPTION
6	Fuel Injector - New	FP-6742-01-5541		

INT & EXH MANIFOLDS				
QTY	INT. & EXH. MANIFOLDS	PART NO.	SIZE	DESCRIPTION
6	Exhaust Manifold Gasket	FP-6742-01-4010		
2	Intake Manifold Gasket	FP-6741-11-4510		

8.3L 505 OHV L6, 4.49" Bore 103 Wheel Loader

S6D114; Build Series 1; Eng. Ser. No. 44706126-Up; Model WA320-1LC; Model Ser. No. A25001-Up
 S6D114; Build Series 1; Eng. Ser. No. 44706126-Up; Model WA380-1LC; Model Ser. No. A45001-Up
 S6D114; Build Series 1; Eng. Ser. No. 44706126-Up; Model WA420-1LC; Model Ser. No. A25001-Up

CAMSHAFT GROUP

QTY	CAMSHAFT/LIFTER	PART NO.	SIZE	DESCRIPTION
12	Lifter	FP-6732-41-2112		

COOLING SYSTEM

QTY	THERMOSTAT	PART NO.	SIZE	DESCRIPTION
2	Thermostat	FP-6742-01-1900		
1	Thermostat Gasket	FP-6742-01-0830		

QTY	WATER PUMP	PART NO.	SIZE	DESCRIPTION
1	Water Pump - Heavy Duty	FP-6742-01-5040		Hardened pulley

CRANKSHAFT/OIL PUMP

QTY	CRANKSHAFT	PART NO.	SIZE	DESCRIPTION
1	Crankshaft	FP-6742-01-1570		

QTY	MAIN BEARINGS	PART NO.	SIZE	DESCRIPTION
1	Main Bearing Set	FP-6742-01-5199		STD
1	Main Bearing Set	FP-6742-01-5233	.25MM	
1	Main Bearing Set	FP-6742-01-5240	.50MM	
1	Main Bearing Set	FP-6742-01-5287	.75MM	
1	Main Bearing Set	FP-6742-01-5288	1.00MM	
1	Thrust Washer	FP-6742-01-5272	.25MM	O/S
1	Thrust Washer	FP-6742-01-5442	.50MM	O/S

QTY	OIL PUMP	PART NO.	SIZE	DESCRIPTION
1	Oil Pump	FP-6742-01-5201		

QTY	SEALS - FRONT CRANK	PART NO.	SIZE	DESCRIPTION
1	Oil Seal	FP-6742-02-1110		

QTY	SEALS - REAR CRANK	PART NO.	SIZE	DESCRIPTION
1	Oil Seal	FP-6735-K2-3001		
1	Oil Seal	FP-6736-39-1130		Wet housing
1	Oil Seal Kit	FP-6736-39-1140		Dry housing

CYL. HEAD & PARTS

QTY	GASKETS	PART NO.	SIZE	DESCRIPTION
1	Head Gasket	FP-6742-01-5582		
1	Head Gasket Set	FP-6742-01-4280		
1	Valve Cover Gasket	FP-6742-01-0710		

QTY	PUSH RODS	PART NO.	SIZE	DESCRIPTION
12	Push Rod	FP-6742-01-1250		

QTY	VALVE	PART NO.	SIZE	DESCRIPTION
24	Valve Keeper	FP-6742-01-2990		Int. & Exh.
6	Valve Kit, Exhaust	FP-6742-01-3000		
6	Valve, Intake	FP-6742-01-0150		

QTY	VALVE GUIDE	PART NO.	SIZE	DESCRIPTION
12	Valve Guide	FP-6742-01-3240		

QTY	VALVE SEAT	PART NO.	SIZE	DESCRIPTION
6	Valve Seat	FP-1241223H2		Int.
6	Valve Seat	FP-1307586H1		Exh.

(continued on next page)

103 8.3L 505 OHV L6, 4.49" Bore (cont.)

CYL. HEAD & PARTS (cont.)

QTY	VALVE SPRING	PART NO.	SIZE	DESCRIPTION
12	Valve Spring	FP-6742-01-3020		
12	Valve Spring Seat	FP-6742-01-3030		Upper

CYLINDER COMPONENTS

QTY	CONNECTING RODS & BRGS.	PART NO.	SIZE	DESCRIPTION
12	Rod Bearing Half Upper/Lower	FP-6742-01-2750		STD
12	Rod Bearing Half Upper/Lower	FP-6742-01-2810		.25MM
12	Rod Bearing Half Upper/Lower	FP-6742-01-2820		.50MM
12	Rod Bearing Half Upper/Lower	FP-6742-01-2830		.75MM
12	Rod Bearing Half Upper/Lower	FP-6742-01-2840		1.00MM

QTY	LINERS	PART NO.	SIZE	DESCRIPTION
6	Cylinder Kit Complete	FP-1295706H91		
6	Liner w/Sealing Rings	FP-6742-01-1500		
6	Sealing Ring, Liner	FP-6742-01-1520		

QTY	PISTON RINGS	PART NO.	SIZE	DESCRIPTION
6	Ring Set, Single Cylinder	FP-1241180H1		

QTY	PISTONS	PART NO.	SIZE	DESCRIPTION
6	Piston Kit w/Pin & Retainers	FP-1295691H91		
6	Piston Pin	FP-6742-01-5474		
6	Piston Pin Bushing	FP-6742-01-2740		
12	Piston Pin Retainer	FP-6742-01-5309		

ENGINE BLOCK & PARTS

QTY	CAM BEARINGS	PART NO.	SIZE	DESCRIPTION
7	Camshaft Bearing	FP-6742-01-5160		

QTY	GASKET SETS	PART NO.	SIZE	DESCRIPTION
1	Conversion Gasket Set	FP-6742-01-5140		

QTY	GASKETS	PART NO.	SIZE	DESCRIPTION
1	Oil Pan Gasket	FP-6742-01-5308		

INT & EXH MANIFOLDS

QTY	INT. & EXH. MANIFOLDS	PART NO.	SIZE	DESCRIPTION
6	Exhaust Manifold Gasket	FP-6742-01-4010		
2	Intake Manifold Gasket	FP-6741-11-4510		

104 8.3L 505 OHV L6, 4.49" Bore

Wheel Loader

S6D114E; Build Series 1; Model WA320-3L; Model Ser. No. A30001-Up

CAMSHAFT GROUP

QTY	CAMSHAFT/LIFTER	PART NO.	SIZE	DESCRIPTION
12	Lifter	FP-6732-41-2112		

COOLING SYSTEM

QTY	THERMOSTAT	PART NO.	SIZE	DESCRIPTION
2	Thermostat	FP-6742-01-1900		
1	Thermostat Gasket	FP-6742-01-0830		

QTY	WATER PUMP	PART NO.	SIZE	DESCRIPTION
1	Water Pump - Heavy Duty	FP-6742-01-5040		Hardened pulley
1	Water Pump - Heavy Duty	FP-6742-01-5578		Long nose

CRANKSHAFT/OIL PUMP

QTY	CRANKSHAFT	PART NO.	SIZE	DESCRIPTION
1	Crankshaft	FP-6742-01-1570		

QTY	MAIN BEARINGS	PART NO.	SIZE	DESCRIPTION
1	Main Bearing Set	FP-6742-01-5199		STD
1	Main Bearing Set	FP-6742-01-5233		.25MM
1	Main Bearing Set	FP-6742-01-5240		.50MM
1	Main Bearing Set	FP-6742-01-5287		.75MM
1	Main Bearing Set	FP-6742-01-5288		1.00MM
1	Thrust Washer	FP-6742-01-5272		.25MM O/S
1	Thrust Washer	FP-6742-01-5442		.50MM O/S

QTY	OIL PUMP	PART NO.	SIZE	DESCRIPTION
1	Oil Pump	FP-6742-01-5201		

(continued on next page)

8.3L 505 OHV L6, 4.49" Bore 104
 (cont.)

CRANKSHAFT/OIL PUMP (cont.)

QTY	SEALS - FRONT CRANK	PART NO.	SIZE	DESCRIPTION
1	Oil Seal	FP-6742-02-1110		
QTY	SEALS - REAR CRANK	PART NO.	SIZE	DESCRIPTION
1	Oil Seal	FP-6735-K2-3001		
1	Oil Seal	FP-6736-39-1130		Wet housing
1	Oil Seal Kit	FP-6736-39-1140		Dry housing

CYL. HEAD & PARTS

QTY	GASKETS	PART NO.	SIZE	DESCRIPTION
1	Head Gasket	FP-6742-01-5582		
1	Head Gasket Set	FP-6742-01-4280		
1	Valve Cover Gasket	FP-6742-01-0710		
QTY	PUSH RODS	PART NO.	SIZE	DESCRIPTION
12	Push Rod	FP-6742-01-1250		
QTY	VALVE	PART NO.	SIZE	DESCRIPTION
24	Valve Keeper	FP-6742-01-2990		Int. & Exh.
6	Valve Kit, Exhaust	FP-6742-01-3000		
6	Valve, Intake	FP-6742-01-0150		
QTY	VALVE GUIDE	PART NO.	SIZE	DESCRIPTION
12	Valve Guide	FP-6742-01-3240		
QTY	VALVE SEAT	PART NO.	SIZE	DESCRIPTION
6	Valve Seat	FP-1241223H2		Int.
6	Valve Seat	FP-1307586H1		Exh.
QTY	VALVE SPRING	PART NO.	SIZE	DESCRIPTION
12	Valve Spring	FP-6742-01-3020		
12	Valve Spring Seat	FP-6742-01-3030		Upper

CYLINDER COMPONENTS

QTY	CONNECTING RODS & BRGS.	PART NO.	SIZE	DESCRIPTION
12	Rod Bearing Half Upper/Lower	FP-6742-01-2750	STD	
12	Rod Bearing Half Upper/Lower	FP-6742-01-2810	.25MM	
12	Rod Bearing Half Upper/Lower	FP-6742-01-2820	.50MM	
12	Rod Bearing Half Upper/Lower	FP-6742-01-2830	.75MM	
12	Rod Bearing Half Upper/Lower	FP-6742-01-2840	1.00MM	
QTY	LINERS	PART NO.	SIZE	DESCRIPTION
6	Cylinder Kit Complete	FP-1307230H91		
6	Liner w/Sealing Rings	FP-6742-01-1500		
6	Sealing Ring, Liner	FP-6742-01-1520		
QTY	PISTON RINGS	PART NO.	SIZE	DESCRIPTION
6	Ring Set, Single Cylinder	FP-1241748H92		
QTY	PISTONS	PART NO.	SIZE	DESCRIPTION
6	Piston Kit w/Pin & Retainers	FP-1304902H91		
6	Piston Pin	FP-6742-01-5474		
6	Piston Pin Bushing	FP-6742-01-2740		
12	Piston Pin Retainer	FP-6742-01-5309		

ENGINE BLOCK & PARTS

QTY	CAM BEARINGS	PART NO.	SIZE	DESCRIPTION
7	Camshaft Bearing	FP-6742-01-5160		
QTY	GASKET SETS	PART NO.	SIZE	DESCRIPTION
1	Conversion Gasket Set	FP-6742-01-5140		
QTY	GASKETS	PART NO.	SIZE	DESCRIPTION
1	Oil Pan Gasket	FP-6742-01-5308		

INT & EXH MANIFOLDS

QTY	INT. & EXH. MANIFOLDS	PART NO.	SIZE	DESCRIPTION
6	Exhaust Manifold Gasket	FP-6742-01-4010		
2	Intake Manifold Gasket	FP-6741-11-4510		

105 8.3L 505 OHV L6, 4.49" Bore

Wheel Loader

SA6D114; Build Series 1; Model WA420-1LC; Model Ser. No. A25001-Up

CAMSHAFT GROUP				
QTY	CAMSHAFT/LIFTER	PART NO.	SIZE	DESCRIPTION
12	Lifter	FP-6732-41-2112		
COOLING SYSTEM				
QTY	THERMOSTAT	PART NO.	SIZE	DESCRIPTION
2	Thermostat	FP-6742-01-1900		
1	Thermostat Gasket	FP-6742-01-0830		
QTY	WATER PUMP	PART NO.	SIZE	DESCRIPTION
1	Water Pump - Heavy Duty	FP-6742-01-5040		Hardened pulley
CRANKSHAFT/OIL PUMP				
QTY	CRANKSHAFT	PART NO.	SIZE	DESCRIPTION
1	Crankshaft	FP-6742-01-1570		
QTY	MAIN BEARINGS	PART NO.	SIZE	DESCRIPTION
1	Main Bearing Set	FP-6742-01-5199		STD
1	Main Bearing Set	FP-6742-01-5233		.25MM
1	Main Bearing Set	FP-6742-01-5240		.50MM
1	Main Bearing Set	FP-6742-01-5287		.75MM
1	Main Bearing Set	FP-6742-01-5288		1.00MM
1	Thrust Washer	FP-6742-01-5272		.25MM O/S
1	Thrust Washer	FP-6742-01-5442		.50MM O/S
QTY	OIL PUMP	PART NO.	SIZE	DESCRIPTION
1	Oil Pump	FP-6742-01-5201		
QTY	SEALS - FRONT CRANK	PART NO.	SIZE	DESCRIPTION
1	Oil Seal	FP-6742-02-1110		
QTY	SEALS - REAR CRANK	PART NO.	SIZE	DESCRIPTION
1	Oil Seal	FP-6735-K2-3001		
1	Oil Seal	FP-6736-39-1130		Wet housing
1	Oil Seal Kit	FP-6736-39-1140		Dry housing
CYL. HEAD & PARTS				
QTY	GASKETS	PART NO.	SIZE	DESCRIPTION
1	Head Gasket	FP-6742-01-5582		
1	Head Gasket Set	FP-6742-01-4280		
1	Valve Cover Gasket	FP-6742-01-0710		
QTY	PUSH RODS	PART NO.	SIZE	DESCRIPTION
12	Push Rod	FP-6742-01-1250		
QTY	VALVE	PART NO.	SIZE	DESCRIPTION
24	Valve Keeper	FP-6742-01-2990		Int. & Exh.
6	Valve Kit, Exhaust	FP-6742-01-3000		
6	Valve, Intake	FP-6742-01-0150		
QTY	VALVE GUIDE	PART NO.	SIZE	DESCRIPTION
12	Valve Guide	FP-6742-01-3240		
QTY	VALVE SEAT	PART NO.	SIZE	DESCRIPTION
6	Valve Seat	FP-1241223H2		Int.
6	Valve Seat	FP-1307586H1		Exh.
QTY	VALVE SPRING	PART NO.	SIZE	DESCRIPTION
12	Valve Spring	FP-6742-01-3020		
12	Valve Spring Seat	FP-6742-01-3030		Upper
CYLINDER COMPONENTS				
QTY	CONNECTING RODS & BRGS.	PART NO.	SIZE	DESCRIPTION
12	Rod Bearing Half Upper/Lower	FP-6742-01-2750		STD
12	Rod Bearing Half Upper/Lower	FP-6742-01-2810		.25MM
12	Rod Bearing Half Upper/Lower	FP-6742-01-2820		.50MM
12	Rod Bearing Half Upper/Lower	FP-6742-01-2830		.75MM
12	Rod Bearing Half Upper/Lower	FP-6742-01-2840		1.00MM
QTY	LINERS	PART NO.	SIZE	DESCRIPTION
6	Cylinder Kit Complete	FP-LK6742		
6	Liner w/o Sealing Ring	FP-1241175H92		
6	Sealing Ring, Liner	FP-6742-01-1520		
QTY	PISTON RINGS	PART NO.	SIZE	DESCRIPTION
6	Ring Set, Single Cylinder	FP-1241180H1		

(continued on next page)

8.3L 505 OHV L6, 4.49" Bore 105
(cont.)

CYLINDER COMPONENTS (cont.)

QTY	PISTONS	PART NO.	SIZE	DESCRIPTION
6	Piston Kit w/Pin & Retainers	FP-1295693H91		
6	Piston Pin	FP-6742-01-5474		
6	Piston Pin Bushing	FP-6742-01-2740		
12	Piston Pin Retainer	FP-6742-01-5309		

ENGINE BLOCK & PARTS

QTY	CAM BEARINGS	PART NO.	SIZE	DESCRIPTION
7	Camshaft Bearing	FP-6742-01-5160		
QTY	GASKET SETS	PART NO.	SIZE	DESCRIPTION
1	Conversion Gasket Set	FP-6742-01-5140		
QTY	GASKETS	PART NO.	SIZE	DESCRIPTION
1	Oil Pan Gasket	FP-6742-01-5308		

INT & EXH MANIFOLDS

QTY	INT. & EXH. MANIFOLDS	PART NO.	SIZE	DESCRIPTION
6	Exhaust Manifold Gasket	FP-6742-01-4010		
2	Intake Manifold Gasket	FP-6741-11-4510		

8.3L 505 OHV L6, 4.49" Bore 106
Wheel Loader

SA6D114; Build Series 1AA; Eng. Ser. No. 21271827-Up; Model WA420-3CS; Model Ser. No. R50001-Up

CAMSHAFT GROUP

QTY	CAMSHAFT/LIFTER	PART NO.	SIZE	DESCRIPTION
12	Lifter	FP-6732-41-2112		

COOLING SYSTEM

QTY	THERMOSTAT	PART NO.	SIZE	DESCRIPTION
2	Thermostat	FP-6742-01-5006		
1	Thermostat Gasket	FP-6742-01-0830		
QTY	WATER PUMP	PART NO.	SIZE	DESCRIPTION
1	Water Pump - Heavy Duty	FP-6742-01-5040		Hardened pulley

CRANKSHAFT/OIL PUMP

QTY	CRANKSHAFT	PART NO.	SIZE	DESCRIPTION
1	Crankshaft	FP-6742-01-1570		
QTY	MAIN BEARINGS	PART NO.	SIZE	DESCRIPTION
1	Main Bearing Set	FP-6742-01-5199		STD
1	Main Bearing Set	FP-6742-01-5233		.25MM
1	Main Bearing Set	FP-6742-01-5240		.50MM
1	Main Bearing Set	FP-6742-01-5287		.75MM
1	Main Bearing Set	FP-6742-01-5288		1.00MM
1	Thrust Washer	FP-6742-01-5272		.25MM O/S
1	Thrust Washer	FP-6742-01-5442		.50MM O/S
QTY	OIL PUMP	PART NO.	SIZE	DESCRIPTION
1	Oil Pump	FP-6742-01-5201		
QTY	SEALS - FRONT CRANK	PART NO.	SIZE	DESCRIPTION
1	Oil Seal	FP-6742-02-1110		
QTY	SEALS - REAR CRANK	PART NO.	SIZE	DESCRIPTION
1	Oil Seal	FP-6735-K2-3001		
1	Oil Seal	FP-6736-39-1130		Wet housing
1	Oil Seal Kit	FP-6736-39-1140		Dry housing

CYL. HEAD & PARTS

QTY	GASKETS	PART NO.	SIZE	DESCRIPTION
1	Head Gasket	FP-6742-01-5582		
1	Head Gasket Set	FP-6742-01-4280		
1	Valve Cover Gasket	FP-6742-01-0710		
QTY	PUSH RODS	PART NO.	SIZE	DESCRIPTION
12	Push Rod	FP-6742-01-1250		
QTY	VALVE	PART NO.	SIZE	DESCRIPTION
24	Valve Keeper	FP-6742-01-2990		Int. & Exh.
6	Valve Kit, Exhaust	FP-6742-01-3000		
6	Valve, Intake	FP-6742-01-0150		

(continued on next page)

106 8.3L 505 OHV L6, 4.49" Bore (cont.)

CYL. HEAD & PARTS (cont.)

QTY	VALVE GUIDE	PART NO.	SIZE	DESCRIPTION
12	Valve Guide	FP-6742-01-3240		
QTY	VALVE SEAT	PART NO.	SIZE	DESCRIPTION
6	Valve Seat	FP-1241223H2		Int.
6	Valve Seat	FP-1307586H1		Exh.
QTY	VALVE SPRING	PART NO.	SIZE	DESCRIPTION
12	Valve Spring	FP-6742-01-3020		
12	Valve Spring Seat	FP-6742-01-3030		Upper

CYLINDER COMPONENTS

QTY	CONNECTING RODS & BRGS.	PART NO.	SIZE	DESCRIPTION
12	Rod Bearing Half Upper/Lower	FP-6742-01-2750	STD	
12	Rod Bearing Half Upper/Lower	FP-6742-01-2810	.25MM	
12	Rod Bearing Half Upper/Lower	FP-6742-01-2820	.50MM	
12	Rod Bearing Half Upper/Lower	FP-6742-01-2830	.75MM	
12	Rod Bearing Half Upper/Lower	FP-6742-01-2840	1.00MM	
QTY	LINERS	PART NO.	SIZE	DESCRIPTION
6	Cylinder Kit Complete	FP-6742-01-5069		
6	Liner w/Sealing Rings	FP-6742-01-1500		
6	Sealing Ring, Liner	FP-6742-01-1520		
QTY	PISTON RINGS	PART NO.	SIZE	DESCRIPTION
6	Ring Set, Single Cylinder	FP-1241748H92		
QTY	PISTONS	PART NO.	SIZE	DESCRIPTION
6	Piston Kit w/Pin & Retainers	FP-6742-01-5067		
6	Piston Pin	FP-6742-01-5474		
6	Piston Pin Bushing	FP-6742-01-2740		
12	Piston Pin Retainer	FP-6742-01-5309		

ENGINE BLOCK & PARTS

QTY	CAM BEARINGS	PART NO.	SIZE	DESCRIPTION
7	Camshaft Bearing	FP-6742-01-5160		
QTY	GASKET SETS	PART NO.	SIZE	DESCRIPTION
1	Conversion Gasket Set	FP-6742-01-5140		
QTY	GASKETS	PART NO.	SIZE	DESCRIPTION
1	Oil Pan Gasket	FP-6742-01-5308		

FUEL SYSTEM & PARTS

QTY	FUEL INJECTION	PART NO.	SIZE	DESCRIPTION
6	Fuel Injector - New	FP-6742-01-3080		

INT & EXH MANIFOLDS

QTY	INT. & EXH. MANIFOLDS	PART NO.	SIZE	DESCRIPTION
6	Exhaust Manifold Gasket	FP-6742-01-4010		
2	Intake Manifold Gasket	FP-6741-11-4510		

107 8.3L 505 OHV L6, 4.49" Bore Wheel Loader

SA6D114E; Build Series 1; Model WA320-3 Avance Plus; Model Ser. No. A31001-Up
 SA6D114E; Build Series 1; Model WA380-3 Avance Plus; Model Ser. No. A51001-Up
 SA6D114E; Build Series 1; Model WA380-3L; Model Ser. No. A50001-Up

CAMSHAFT GROUP

QTY	CAMSHAFT/LIFTER	PART NO.	SIZE	DESCRIPTION
12	Lifter	FP-6732-41-2112		

COOLING SYSTEM

QTY	THERMOSTAT	PART NO.	SIZE	DESCRIPTION
2	Thermostat	FP-6742-01-1900		
1	Thermostat Gasket	FP-6742-01-0830		
QTY	WATER PUMP	PART NO.	SIZE	DESCRIPTION
1	Water Pump - Heavy Duty	FP-6742-01-5040		Hardened pulley
1	Water Pump - Heavy Duty	FP-6742-01-5578		Long nose

(continued on next page)

8.3L 505 OHV L6, 4.49" Bore **107**
(cont.)

CRANKSHAFT/OIL PUMP				
QTY	CRANKSHAFT	PART NO.	SIZE	DESCRIPTION
1	Crankshaft	FP-6742-01-1570		
QTY	MAIN BEARINGS	PART NO.	SIZE	DESCRIPTION
1	Main Bearing Set	FP-6742-01-5199	STD	
1	Main Bearing Set	FP-6742-01-5233	.25MM	
1	Main Bearing Set	FP-6742-01-5240	.50MM	
1	Main Bearing Set	FP-6742-01-5287	.75MM	
1	Main Bearing Set	FP-6742-01-5288	1.00MM	
1	Thrust Washer	FP-6742-01-5272	.25MM	O/S
1	Thrust Washer	FP-6742-01-5442	.50MM	O/S
QTY	OIL PUMP	PART NO.	SIZE	DESCRIPTION
1	Oil Pump	FP-6742-01-5201		
QTY	SEALS - FRONT CRANK	PART NO.	SIZE	DESCRIPTION
1	Oil Seal	FP-6742-02-1110		
QTY	SEALS - REAR CRANK	PART NO.	SIZE	DESCRIPTION
1	Oil Seal	FP-6735-K2-3001		
1	Oil Seal	FP-6736-39-1130		Wet housing
1	Oil Seal Kit	FP-6736-39-1140		Dry housing
CYL. HEAD & PARTS				
QTY	GASKETS	PART NO.	SIZE	DESCRIPTION
1	Head Gasket	FP-6742-01-5582		
1	Head Gasket Set	FP-6742-01-4280		
1	Valve Cover Gasket	FP-6742-01-0710		
QTY	PUSH RODS	PART NO.	SIZE	DESCRIPTION
12	Push Rod	FP-6742-01-1250		
QTY	VALVE	PART NO.	SIZE	DESCRIPTION
24	Valve Keeper	FP-6742-01-2990		Int. & Exh.
6	Valve Kit, Exhaust	FP-6742-01-3000		
6	Valve, Intake	FP-6742-01-0150		
QTY	VALVE GUIDE	PART NO.	SIZE	DESCRIPTION
12	Valve Guide	FP-6742-01-3240		
QTY	VALVE SEAT	PART NO.	SIZE	DESCRIPTION
6	Valve Seat	FP-1241223H2		Int.
6	Valve Seat	FP-1307586H1		Exh.
QTY	VALVE SPRING	PART NO.	SIZE	DESCRIPTION
12	Valve Spring	FP-6742-01-3020		
12	Valve Spring Seat	FP-6742-01-3030		Upper
CYLINDER COMPONENTS				
QTY	CONNECTING RODS & BRGS.	PART NO.	SIZE	DESCRIPTION
12	Rod Bearing Half Upper/Lower	FP-6742-01-2750	STD	
12	Rod Bearing Half Upper/Lower	FP-6742-01-2810	.25MM	
12	Rod Bearing Half Upper/Lower	FP-6742-01-2820	.50MM	
12	Rod Bearing Half Upper/Lower	FP-6742-01-2830	.75MM	
12	Rod Bearing Half Upper/Lower	FP-6742-01-2840	1.00MM	
QTY	LINERS	PART NO.	SIZE	DESCRIPTION
6	Cylinder Kit Complete	FP-1307230H91		
6	Liner w/Sealing Rings	FP-6742-01-1500		
6	Sealing Ring, Liner	FP-6742-01-1520		
QTY	PISTON RINGS	PART NO.	SIZE	DESCRIPTION
6	Ring Set, Single Cylinder	FP-1241748H92		
QTY	PISTONS	PART NO.	SIZE	DESCRIPTION
6	Piston Kit w/Pin & Retainers	FP-1304902H91		
6	Piston Pin	FP-6742-01-5474		
6	Piston Pin Bushing	FP-6742-01-2740		
12	Piston Pin Retainer	FP-6742-01-5309		
ENGINE BLOCK & PARTS				
QTY	CAM BEARINGS	PART NO.	SIZE	DESCRIPTION
7	Camshaft Bearing	FP-6742-01-5160		
QTY	GASKET SETS	PART NO.	SIZE	DESCRIPTION
1	Conversion Gasket Set	FP-6742-01-5140		

(continued on next page)

Komatsu Off Highway



107 8.3L 505 OHV L6, 4.49" Bore (cont.)

ENGINE BLOCK & PARTS (cont.)

QTY	GASKETS	PART NO.	SIZE	DESCRIPTION
1	Oil Pan Gasket	FP-6742-01-5308		

INT & EXH MANIFOLDS				
QTY	INT. & EXH. MANIFOLDS	PART NO.	SIZE	DESCRIPTION
6	Exhaust Manifold Gasket	FP-6742-01-4010		
2	Intake Manifold Gasket	FP-6741-11-4510		

108 8.3L 505 OHV L6, 4.49" Bore Wheel Loader

SAA6D114; Eng. Ser. No. 21301477-Up; Model WA320-3H Active; Model Ser. No. 20561-Up
SAA6D114; Eng. Ser. No. 21301477-Up; Model WA380-3H Active; Model Ser. No. 20501-Up

CAMSHAFT GROUP

QTY	CAMSHAFT/LIFTER	PART NO.	SIZE	DESCRIPTION
12	Lifter	FP-6732-41-2112		

COOLING SYSTEM

QTY	THERMOSTAT	PART NO.	SIZE	DESCRIPTION
2	Thermostat	FP-6742-01-1900		
1	Thermostat Gasket	FP-6742-01-0830		

QTY	WATER PUMP	PART NO.	SIZE	DESCRIPTION
1	Water Pump - Heavy Duty	FP-6742-01-5470		

CRANKSHAFT/OIL PUMP

QTY	CRANKSHAFT	PART NO.	SIZE	DESCRIPTION
1	Crankshaft	FP-6742-01-1570		

QTY	MAIN BEARINGS	PART NO.	SIZE	DESCRIPTION
1	Main Bearing Set	FP-6742-01-5199	STD	
1	Main Bearing Set	FP-6742-01-5233	.25MM	
1	Main Bearing Set	FP-6742-01-5240	.50MM	
1	Main Bearing Set	FP-6742-01-5287	.75MM	
1	Main Bearing Set	FP-6742-01-5288	1.00MM	
1	Thrust Washer	FP-6742-01-5272	.25MM	O/S
1	Thrust Washer	FP-6742-01-5442	.50MM	O/S

QTY	OIL PUMP	PART NO.	SIZE	DESCRIPTION
1	Oil Pump	FP-6742-01-5201		

QTY	SEALS - FRONT CRANK	PART NO.	SIZE	DESCRIPTION
1	Oil Seal	FP-6742-02-1110		

QTY	SEALS - REAR CRANK	PART NO.	SIZE	DESCRIPTION
1	Oil Seal	FP-6735-K2-3001		
1	Oil Seal	FP-6736-39-1130		Wet housing
1	Oil Seal Kit	FP-6736-39-1140		Dry housing

CYL. HEAD & PARTS

QTY	GASKETS	PART NO.	SIZE	DESCRIPTION
1	Head Gasket	FP-6742-01-5582		
1	Head Gasket Set	FP-6742-01-4280		
1	Valve Cover Gasket	FP-6742-01-0710		

QTY	PUSH RODS	PART NO.	SIZE	DESCRIPTION
12	Push Rod	FP-6742-01-1250		

QTY	VALVE	PART NO.	SIZE	DESCRIPTION
24	Valve Keeper	FP-6742-01-2990		Int. & Exh.
6	Valve Kit, Exhaust	FP-6742-01-3000		
6	Valve, Intake	FP-6742-01-0150		

QTY	VALVE GUIDE	PART NO.	SIZE	DESCRIPTION
12	Valve Guide	FP-6742-01-3240		

QTY	VALVE SEAT	PART NO.	SIZE	DESCRIPTION
6	Valve Seat	FP-1241223H2		Int.
6	Valve Seat	FP-1307586H1		Exh.

QTY	VALVE SPRING	PART NO.	SIZE	DESCRIPTION
12	Valve Spring	FP-6742-01-3020		
12	Valve Spring Seat	FP-6742-01-3030		Upper

(continued on next page)

8.3L 505 OHV L6, 4.49" Bore 108

(cont.)

CYLINDER COMPONENTS

CONNECTING RODS & BRGS.				
QTY		PART NO.	SIZE	DESCRIPTION
12	Rod Bearing Half Upper/Lower	FP-6742-01-2750	STD	
12	Rod Bearing Half Upper/Lower	FP-6742-01-2810	.25MM	
12	Rod Bearing Half Upper/Lower	FP-6742-01-2820	.50MM	
12	Rod Bearing Half Upper/Lower	FP-6742-01-2830	.75MM	
12	Rod Bearing Half Upper/Lower	FP-6742-01-2840	1.00MM	
LINERS				
QTY		PART NO.	SIZE	DESCRIPTION
6	Cylinder Kit Complete	FP-LK5159		
6	Liner w/Sealing Rings	FP-6742-01-5159		
6	Sealing Ring, Liner	FP-6742-01-1520		
PISTON RINGS				
QTY		PART NO.	SIZE	DESCRIPTION
6	Ring Set, Single Cylinder	FP-1241748H92		
PISTONS				
QTY		PART NO.	SIZE	DESCRIPTION
6	Piston Kit w/Pin & Retainers	FP-1304902H91		
6	Piston Pin	FP-6742-01-5474		
6	Piston Pin Bushing	FP-6742-01-2740		
12	Piston Pin Retainer	FP-6742-01-5309		

ENGINE BLOCK & PARTS

CAM BEARINGS				
QTY		PART NO.	SIZE	DESCRIPTION
7	Camshaft Bearing	FP-6742-01-5160		
GASKET SETS				
QTY		PART NO.	SIZE	DESCRIPTION
1	Conversion Gasket Set	FP-6742-01-5140		
GASKETS				
QTY		PART NO.	SIZE	DESCRIPTION
1	Oil Pan Gasket	FP-6742-01-5308		

INT & EXH MANIFOLDS

INT. & EXH. MANIFOLDS				
QTY		PART NO.	SIZE	DESCRIPTION
6	Exhaust Manifold Gasket	FP-6742-01-4010		
2	Intake Manifold Gasket	FP-6741-11-4510		

8.3L 505 OHV L6, 4.49" Bore 109

Wheel Loader

SAA6D114E; Build Series 1; Eng. Ser. No. Up to 21301476; Model WA320-3H Active; Model Ser. No. 20561-Up
 SAA6D114E; Build Series 1; Eng. Ser. No. Up to 21301476; Model WA380-3H Active; Model Ser. No. 20501-Up
 SAA6D114E; Build Series 1; Model WA420-3 Avance Plus; Model Ser. No. A31001-Up
 SAA6D114E; Build Series 1; Model WA420-3H Active; Model Ser. No. 30297-Up
 SAA6D114E; Build Series 1; Model WA420-3L; Model Ser. No. A30001-Up

CAMSHAFT GROUP

CAMSHAFT/LIFTER				
QTY		PART NO.	SIZE	DESCRIPTION
12	Lifter	FP-6732-41-2112		

COOLING SYSTEM

THERMOSTAT				
QTY		PART NO.	SIZE	DESCRIPTION
2	Thermostat	FP-6742-01-1900		
1	Thermostat Gasket	FP-6742-01-0830		
WATER PUMP				
QTY		PART NO.	SIZE	DESCRIPTION
1	Water Pump - Heavy Duty	FP-6742-01-5040		Hardened pulley
1	Water Pump - Heavy Duty	FP-6742-01-5578		Long nose

CRANKSHAFT/OIL PUMP

CRANKSHAFT				
QTY		PART NO.	SIZE	DESCRIPTION
1	Crankshaft	FP-6742-01-1570		
MAIN BEARINGS				
QTY		PART NO.	SIZE	DESCRIPTION
1	Main Bearing Set	FP-6742-01-5199	STD	
1	Main Bearing Set	FP-6742-01-5233	.25MM	
1	Main Bearing Set	FP-6742-01-5240	.50MM	
1	Main Bearing Set	FP-6742-01-5287	.75MM	
1	Main Bearing Set	FP-6742-01-5288	1.00MM	
1	Thrust Washer	FP-6742-01-5272	.25MM	O/S
1	Thrust Washer	FP-6742-01-5442	.50MM	O/S
OIL PUMP				
QTY		PART NO.	SIZE	DESCRIPTION
1	Oil Pump	FP-6742-01-5201		

(continued on next page)

109 8.3L 505 OHV L6, 4.49" Bore (cont.)

CRANKSHAFT/OIL PUMP (cont.)				
QTY	SEALS - FRONT CRANK	PART NO.	SIZE	DESCRIPTION
1	Oil Seal	FP-6742-02-1110		
QTY	SEALS - REAR CRANK	PART NO.	SIZE	DESCRIPTION
1	Oil Seal	FP-6735-K2-3001		
1	Oil Seal	FP-6736-39-1130		Wet housing
1	Oil Seal Kit	FP-6736-39-1140		Dry housing
CYL. HEAD & PARTS				
QTY	GASKETS	PART NO.	SIZE	DESCRIPTION
1	Head Gasket	FP-6742-01-5582		
1	Head Gasket Set	FP-6742-01-4280		
1	Valve Cover Gasket	FP-6742-01-0710		
QTY	PUSH RODS	PART NO.	SIZE	DESCRIPTION
12	Push Rod	FP-6742-01-1250		
QTY	VALVE	PART NO.	SIZE	DESCRIPTION
24	Valve Keeper	FP-6742-01-2990		Int. & Exh.
6	Valve Kit, Exhaust	FP-6742-01-3000		
6	Valve, Intake	FP-6742-01-0150		
QTY	VALVE GUIDE	PART NO.	SIZE	DESCRIPTION
12	Valve Guide	FP-6742-01-3240		
QTY	VALVE SEAT	PART NO.	SIZE	DESCRIPTION
6	Valve Seat	FP-1241223H2		Int.
6	Valve Seat	FP-1307586H1		Exh.
QTY	VALVE SPRING	PART NO.	SIZE	DESCRIPTION
12	Valve Spring	FP-6742-01-3020		
12	Valve Spring Seat	FP-6742-01-3030		Upper
CYLINDER COMPONENTS				
QTY	CONNECTING RODS & BRGS.	PART NO.	SIZE	DESCRIPTION
12	Rod Bearing Half Upper/Lower	FP-6742-01-2750		STD
12	Rod Bearing Half Upper/Lower	FP-6742-01-2810		.25MM
12	Rod Bearing Half Upper/Lower	FP-6742-01-2820		.50MM
12	Rod Bearing Half Upper/Lower	FP-6742-01-2830		.75MM
12	Rod Bearing Half Upper/Lower	FP-6742-01-2840		1.00MM
QTY	LINERS	PART NO.	SIZE	DESCRIPTION
6	Cylinder Kit Complete	FP-1307230H91		
6	Liner w/Sealing Rings	FP-6742-01-1500		
6	Sealing Ring, Liner	FP-6742-01-1520		
QTY	PISTON RINGS	PART NO.	SIZE	DESCRIPTION
6	Ring Set, Single Cylinder	FP-1241748H92		
QTY	PISTONS	PART NO.	SIZE	DESCRIPTION
6	Piston Kit w/Pin & Retainers	FP-1304902H91		
6	Piston Pin	FP-6742-01-5474		
6	Piston Pin Bushing	FP-6742-01-2740		
12	Piston Pin Retainer	FP-6742-01-5309		
ENGINE BLOCK & PARTS				
QTY	CAM BEARINGS	PART NO.	SIZE	DESCRIPTION
7	Camshaft Bearing	FP-6742-01-5160		
QTY	GASKET SETS	PART NO.	SIZE	DESCRIPTION
1	Conversion Gasket Set	FP-6742-01-5140		
QTY	GASKETS	PART NO.	SIZE	DESCRIPTION
1	Oil Pan Gasket	FP-6742-01-5308		
INT & EXH MANIFOLDS				
QTY	INT. & EXH. MANIFOLDS	PART NO.	SIZE	DESCRIPTION
6	Exhaust Manifold Gasket	FP-6742-01-4010		
2	Intake Manifold Gasket	FP-6741-11-4510		

8.3L 505 OHV L6, 4.49" Bore 110 Wheel Loader

SAA6D114E; Build Series 2; Eng. Ser. No. 26800003-Up; Model WA400-5L; Model Ser. No. A40001-Up
 SAA6D114E; Build Series 2B-A; Eng. Ser. No. 26800003-Up; Model WA380-5; Model Ser. No. 60001-Up
 SAA6D114E; Build Series 2B-A; Eng. Ser. No. 26800003-Up; Model WA380-5L; Model Ser. No. A52001-Up
 SAA6D114E; Build Series 2B-A; Eng. Ser. No. 26800003-Up; Model WA380-5W; Model Ser. No. 60001-Up
 SAA6D114E; Build Series 2B-A; Eng. Ser. No. 26800003-Up; Model WA400-5; Model Ser. No. 70001-Up

CAMSHAFT GROUP

QTY	CAMSHAFT/LIFTER	PART NO.	SIZE	DESCRIPTION
12	Lifter	FP-6732-41-2112		

COOLING SYSTEM

QTY	THERMOSTAT	PART NO.	SIZE	DESCRIPTION
2	Thermostat	FP-6741-61-1610		
1	Thermostat Gasket	FP-6742-01-0830		

QTY	WATER PUMP	PART NO.	SIZE	DESCRIPTION
1	Water Pump - Heavy Duty	FP-6741-61-1530		

CRANKSHAFT/OIL PUMP

QTY	CRANKSHAFT	PART NO.	SIZE	DESCRIPTION
1	Crankshaft	FP-6742-01-1570		

QTY	MAIN BEARINGS	PART NO.	SIZE	DESCRIPTION
1	Main Bearing Set	FP-6742-01-5199	STD	
1	Main Bearing Set	FP-6742-01-5233	.25MM	
1	Main Bearing Set	FP-6742-01-5240	.50MM	
1	Main Bearing Set	FP-6742-01-5287	.75MM	
1	Main Bearing Set	FP-6742-01-5288	1.00MM	
1	Thrust Washer	FP-6742-01-5272	.25MM	O/S
1	Thrust Washer	FP-6742-01-5442	.50MM	O/S

QTY	OIL PUMP	PART NO.	SIZE	DESCRIPTION
1	Oil Pump	FP-6741-51-1110		

QTY	SEALS - FRONT CRANK	PART NO.	SIZE	DESCRIPTION
1	Oil Seal	FP-6742-02-1110		

QTY	SEALS - REAR CRANK	PART NO.	SIZE	DESCRIPTION
1	Oil Seal	FP-6735-K2-3001		
1	Oil Seal	FP-6736-39-1130		Wet housing
1	Oil Seal Kit	FP-6736-39-1140		Dry housing

CYL. HEAD & PARTS

QTY	GASKETS	PART NO.	SIZE	DESCRIPTION
1	Head Gasket	FP-6742-01-5582		
1	Head Gasket Set	FP-6742-01-4280		
1	Valve Cover Gasket	FP-6742-01-0710		

QTY	PUSH RODS	PART NO.	SIZE	DESCRIPTION
12	Push Rod	FP-6742-01-1250		

QTY	VALVE	PART NO.	SIZE	DESCRIPTION
24	Valve Keeper	FP-6742-01-2990		Int. & Exh.
6	Valve Kit, Exhaust	FP-6742-01-3000		
6	Valve, Intake	FP-6742-01-0150		

QTY	VALVE GUIDE	PART NO.	SIZE	DESCRIPTION
12	Valve Guide	FP-6742-01-3240		

QTY	VALVE SEAT	PART NO.	SIZE	DESCRIPTION
6	Valve Seat	FP-1241223H2		Int.
6	Valve Seat	FP-1307586H1		Exh.

QTY	VALVE SPRING	PART NO.	SIZE	DESCRIPTION
12	Valve Spring	FP-6742-01-3020		
12	Valve Spring Seat	FP-6742-01-3030		Upper

CYLINDER COMPONENTS

QTY	CONNECTING RODS & BRGS.	PART NO.	SIZE	DESCRIPTION
12	Rod Bearing Half Upper/Lower	FP-6742-01-2750	STD	
12	Rod Bearing Half Upper/Lower	FP-6742-01-2810	.25MM	
12	Rod Bearing Half Upper/Lower	FP-6742-01-2820	.50MM	
12	Rod Bearing Half Upper/Lower	FP-6742-01-2830	.75MM	
12	Rod Bearing Half Upper/Lower	FP-6742-01-2840	1.00MM	

QTY	LINERS	PART NO.	SIZE	DESCRIPTION
6	Cylinder Kit Complete	FP-LK6743		

(continued on next page)

110 8.3L 505 OHV L6, 4.49" Bore (cont.)

CYLINDER COMPONENTS (cont.)

QTY	LINERS (cont.)	PART NO.	SIZE	DESCRIPTION
6	Liner w/Sealing Rings	FP-6742-01-5159		
6	Sealing Ring, Liner	FP-6742-01-1520		
QTY	PISTON RINGS	PART NO.	SIZE	DESCRIPTION
6	Ring Set, Single Cylinder	FP-1241748H92		
QTY	PISTONS	PART NO.	SIZE	DESCRIPTION
6	Piston Body w/o Pin	FP-6743-31-2110		
6	Piston Kit w/Pin & Retainers	FP-6743-31-2101		
6	Piston Pin	FP-6742-01-5474		
6	Piston Pin Bushing	FP-6742-01-2740		
12	Piston Pin Retainer	FP-6742-01-5309		

ENGINE BLOCK & PARTS

QTY	CAM BEARINGS	PART NO.	SIZE	DESCRIPTION
7	Camshaft Bearing	FP-6742-01-5160		
QTY	GASKET SETS	PART NO.	SIZE	DESCRIPTION
1	Conversion Gasket Set	FP-6742-01-5140		
QTY	GASKETS	PART NO.	SIZE	DESCRIPTION
1	Oil Pan Gasket	FP-6742-01-5308		

FUEL SYSTEM & PARTS

QTY	FUEL INJECTION	PART NO.	SIZE	DESCRIPTION
6	Fuel Injector - New	FP-6743-11-3310		
6	Fuel Injector Nozzle	FP-6743-11-3220		

INT & EXH MANIFOLDS

QTY	INT. & EXH. MANIFOLDS	PART NO.	SIZE	DESCRIPTION
6	Exhaust Manifold Gasket	FP-6742-01-4010		
2	Intake Manifold Gasket	FP-6741-11-4510		

111 11.0L 674 OHV L6, 4.9213" Bore

Dozer

6D125; Build Series 1A; Eng. Ser. No. 10001-Up; Model D50A-17; Model Ser. No. 60001-Up
 6D125; Build Series 1A; Eng. Ser. No. 10001-Up; Model D50P-17; Model Ser. No. 60001-Up
 6D125; Build Series 1A; Eng. Ser. No. 10001-Up; Model D50PL-17; Model Ser. No. 60001-Up
 6D125; Build Series 1AF; Eng. Ser. No. 24586-Up; Model D70LE; Model Ser. No. 45200-Up
 6D125; Build Series 1AM; Eng. Ser. No. 47990-Up; Model D65E-12; From Model Ser. No. 60001 to 60941
 6D125; Build Series 1AN; Eng. Ser. No. 47990-Up; Model D70LE-12; Model Ser. No. 60001-Up
 6D125; Build Series 1C; Eng. Ser. No. 10001-Up; Model D53A-17; Model Ser. No. 80001-Up
 6D125; Build Series 1C; Eng. Ser. No. 10001-Up; Model D53P-17; Model Ser. No. 80001-Up
 6D125; Build Series 1DD; Eng. Ser. No. 21811-Up; Model D58E-1; Model Ser. No. 80888-Up
 6D125; Build Series 1DD; Eng. Ser. No. 21811-Up; Model D58E-1B; Model Ser. No. 80888-Up
 6D125; Build Series 1EE; Eng. Ser. No. 21811-Up; Model D58P-1; Model Ser. No. 80588-Up
 6D125; Build Series 1EE; Eng. Ser. No. 21811-Up; Model D58P-1B; Model Ser. No. 80588-Up
 6D125; Build Series 1F; Eng. Ser. No. 10001-Up; Model D60A-8; Model Ser. No. 45001-Up
 6D125; Build Series 1F; Eng. Ser. No. 10001-Up; Model D60P-8; Model Ser. No. 45001-Up
 6D125; Build Series 1F; Eng. Ser. No. 10001-Up; Model D60S-8; Model Ser. No. 45001-Up
 6D125; Build Series 1J; Eng. Ser. No. 10001-Up; Model D65A-8; Model Ser. No. 45001-Up
 6D125; Build Series 1J; Eng. Ser. No. 10001-Up; Model D65E-8; Model Ser. No. 45001-Up
 6D125; Build Series 1JJ; Eng. Ser. No. 21829-Up; Model D68E-1; Model Ser. No. 1001-Up
 6D125; Build Series 1JJ; Eng. Ser. No. 21829-Up; Model D68P-1; Model Ser. No. 45590-Up
 6D125; Build Series 1K; Eng. Ser. No. 10001-Up; Model D65P-8; Model Ser. No. 45001-Up
 6D125; Build Series 1K; Eng. Ser. No. 10001-Up; Model D65S-8; Model Ser. No. 45001-Up

COOLING SYSTEM

QTY	THERMOSTAT	PART NO.	SIZE	DESCRIPTION
1	O-Ring	FP-6138-11-6810		
1	Thermostat	FP-600-421-6310		
QTY	WATER PUMP	PART NO.	SIZE	DESCRIPTION
1	Water Pump - Heavy Duty	FP-6150-61-1105		
1	Water Pump Gasket Kit	FP-6150-K6-9901		

CRANKSHAFT/OIL PUMP

QTY	CRANKSHAFT	PART NO.	SIZE	DESCRIPTION
1	Crankshaft	FP-6151-35-1010		

(continued on next page)

11.0L 674 OHV L6, 4.9213" Bore **111**
(cont.)

CRANKSHAFT/OIL PUMP (cont.)

QTY	MAIN BEARINGS	PART NO.	SIZE	DESCRIPTION
1	Main Bearing and Thrust Washer	FP-6150-21-8000		
7	Main Bearing, Flanged	FP-6150-21-8010	STD	
7	Main Bearing, Flanged	FP-6150-29-8010	.25MM	
7	Main Bearing, Flanged	FP-6150-28-8010	.50MM	
7	Main Bearing, Flanged	FP-6150-27-8010	.75MM	
7	Main Bearing, Flanged	FP-6150-26-8010	1.00MM	
1	Thrust Washer	FP-6150-21-8050	STD	
1	Thrust Washer	FP-6150-29-8050	.25MM	
1	Thrust Washer	FP-6150-28-8050	.50MM	
1	Thrust Washer	FP-6150-27-8050	.75MM	
1	Thrust Washer	FP-6150-26-8050	1.00MM	

QTY	OIL PUMP	PART NO.	SIZE	DESCRIPTION
1	Oil Pump	FP-6150-51-1004		

QTY	SEALS - FRONT CRANK	PART NO.	SIZE	DESCRIPTION
1	Oil Seal	FP-6150-21-3230		

QTY	SEALS - REAR CRANK	PART NO.	SIZE	DESCRIPTION
1	Oil Seal	FP-6151-21-4161		

CYL. HEAD & PARTS

QTY	GASKETS	PART NO.	SIZE	DESCRIPTION
6	Head Gasket	FP-6150-17-1813		
1	Head Gasket Set	FP-6150-K1-9901		
6	Valve Cover Gasket	FP-6150-11-8810		

QTY	PUSH RODS	PART NO.	SIZE	DESCRIPTION
12	Push Rod	FP-6151-41-3111		

QTY	VALVE	PART NO.	SIZE	DESCRIPTION
48	Valve Keeper	FP-6136-42-4520		Int. & Exh.
12	Valve, Exhaust	FP-6150-41-4210		
12	Valve, Intake	FP-6150-41-4111		

QTY	VALVE GUIDE	PART NO.	SIZE	DESCRIPTION
12	Valve Guide	FP-6150-12-1341		Int.
12	Valve Guide	FP-6150-12-1351		Exh.

QTY	VALVE SEAL	PART NO.	SIZE	DESCRIPTION
12	Valve Stem Seal	FP-6140-41-4540		

QTY	VALVE SEAT	PART NO.	SIZE	DESCRIPTION
12	Valve Seat	FP-6150-11-1320		Exh.
12	Valve Seat	FP-6151-11-1330		Int.

QTY	VALVE SPRING	PART NO.	SIZE	DESCRIPTION
24	Valve Spring	FP-6150-41-4411		
24	Valve Spring Seat	FP-6150-41-4430		Lower
24	Valve Spring Seat	FP-6150-41-4510		Upper

CYLINDER COMPONENTS

QTY	CONNECTING RODS & BRGS.	PART NO.	SIZE	DESCRIPTION
6	Connecting Rod Bearing Pair	FP-6150-31-3040	STD	
6	Connecting Rod Bearing Pair	FP-6150-39-3040	.25MM	
6	Connecting Rod Bearing Pair	FP-6150-38-3040	.50MM	
6	Connecting Rod Bearing Pair	FP-6150-37-3040	.75MM	
6	Connecting Rod Bearing Pair	FP-6150-36-3040	1.00MM	

QTY	LINERS	PART NO.	SIZE	DESCRIPTION
6	Cylinder Kit Complete	FP-LK502112		
6	Liner w/o Sealing Ring	FP-6151-22-2220		
6	O-Ring	FP-6150-21-2230		
6	O-Ring	FP-6150-21-2240		
6	Sealing Ring, Liner	FP-6150-21-2250		

QTY	PISTON RINGS	PART NO.	SIZE	DESCRIPTION
6	Ring Set, Single Cylinder	FP-6150-31-2033		

QTY	PISTONS	PART NO.	SIZE	DESCRIPTION
6	Piston Body w/o Pin	FP-6150-31-2112		
6	Piston Kit w/Pin & Retainers	FP-6150-31-2012		
6	Piston Pin	FP-6150-31-2410		
6	Piston Pin Bushing	FP-6150-31-3130		
12	Piston Pin Retainer	FP-04065-04818		

(continued on next page)

111 11.0L 674 OHV L6, 4.9213" Bore (cont.)

ENGINE BLOCK & PARTS

QTY	CAM BEARINGS	PART NO.	SIZE	DESCRIPTION
7	Camshaft Bearing	FP-6150-21-1490		
QTY	GASKET SETS	PART NO.	SIZE	DESCRIPTION
1	Conversion Gasket Set	FP-6150-K2-9901		
QTY	GASKETS	PART NO.	SIZE	DESCRIPTION
1	Oil Pan Gasket	FP-6150-21-5812		

FUEL SYSTEM & PARTS

QTY	FUEL INJECTION	PART NO.	SIZE	DESCRIPTION
6	Fuel Injector Sleeve	FP-6136-11-1130		

INT & EXH MANIFOLDS

QTY	INT. & EXH. MANIFOLDS	PART NO.	SIZE	DESCRIPTION
6	Exhaust Manifold Gasket	FP-6150-11-5810		
6	Intake Manifold Gasket	FP-6150-13-4810		

112 11.0L 674 OHV L6, 4.9213" Bore

Dozer

6D125E; Build Series 2A; Eng. Ser. No. 61779-Up; Model D65E-12; Model Ser. No. 60942-Up
 6D125E; Build Series 2D; Eng. Ser. No. 61779-Up; Model D53A-17; Model Ser. No. 80001-Up
 6D125E; Build Series 2D; Eng. Ser. No. 61779-Up; Model D53P-17; Model Ser. No. 80001-Up
 6D125E; Build Series 2G; Eng. Ser. No. 61779-Up; Model D58E-1; Model Ser. No. 80888-Up
 6D125E; Build Series 2G; Eng. Ser. No. 61779-Up; Model D58E-1B; Model Ser. No. 80888-Up
 6D125E; Build Series 2H; Eng. Ser. No. 61779-Up; Model D58P-1; Model Ser. No. 80588-Up
 6D125E; Build Series 2H; Eng. Ser. No. 61779-Up; Model D58P-1B; Model Ser. No. 80588-Up

COOLING SYSTEM

QTY	THERMOSTAT	PART NO.	SIZE	DESCRIPTION
1	O-Ring	FP-6210-61-6441		
1	Thermostat	FP-600-421-6630		
QTY	WATER PUMP	PART NO.	SIZE	DESCRIPTION
1	Water Pump - Heavy Duty	FP-6151-62-1104		
1	Water Pump Gasket Kit	FP-6155-K6-9900		

CRANKSHAFT/OIL PUMP

QTY	CRANKSHAFT	PART NO.	SIZE	DESCRIPTION
1	Crankshaft	FP-6151-35-1010		
QTY	MAIN BEARINGS	PART NO.	SIZE	DESCRIPTION
1	Main Bearing and Thrust Washer	FP-6150-21-8000		
7	Main Bearing, Flanged	FP-6150-21-8010	STD	
7	Main Bearing, Flanged	FP-6150-29-8010	.25MM	
7	Main Bearing, Flanged	FP-6150-28-8010	.50MM	
7	Main Bearing, Flanged	FP-6150-27-8010	.75MM	
7	Main Bearing, Flanged	FP-6150-26-8010	1.00MM	
1	Thrust Washer	FP-6150-21-8050	STD	
1	Thrust Washer	FP-6150-29-8050	.25MM	
1	Thrust Washer	FP-6150-28-8050	.50MM	
1	Thrust Washer	FP-6150-27-8050	.75MM	
1	Thrust Washer	FP-6150-26-8050	1.00MM	
QTY	OIL PUMP	PART NO.	SIZE	DESCRIPTION
1	Oil Pump	FP-6150-51-1004		
QTY	SEALS - FRONT CRANK	PART NO.	SIZE	DESCRIPTION
1	Oil Seal	FP-6150-21-3230		
QTY	SEALS - REAR CRANK	PART NO.	SIZE	DESCRIPTION
1	Oil Seal	FP-6151-21-4161		

CYL. HEAD & PARTS

QTY	GASKETS	PART NO.	SIZE	DESCRIPTION
6	Head Gasket	FP-6150-12-1810		
1	Head Gasket Set	FP-6153-K1-9900		
6	Valve Cover Gasket	FP-6150-11-8810		
QTY	PUSH RODS	PART NO.	SIZE	DESCRIPTION
12	Push Rod	FP-6150-41-3111		
QTY	VALVE	PART NO.	SIZE	DESCRIPTION
48	Valve Keeper	FP-6136-42-4520		Int. & Exh.
12	Valve, Exhaust	FP-6150-42-4210		

(continued on next page)

11.0L 674 OHV L6, 4.9213" Bore 112
(cont.)

CYL. HEAD & PARTS (cont.)

QTY	VALVE (cont.)	PART NO.	SIZE	DESCRIPTION
12	Valve, Intake	FP-6150-42-4110		
QTY	VALVE GUIDE	PART NO.	SIZE	DESCRIPTION
24	Valve Guide	FP-6150-12-1370		Int. & Exh.
QTY	VALVE SEAL	PART NO.	SIZE	DESCRIPTION
12	Valve Stem Seal	FP-6150-41-4570		
QTY	VALVE SEAT	PART NO.	SIZE	DESCRIPTION
12	Valve Seat	FP-6150-11-1320		Exh.
12	Valve Seat	FP-6151-11-1330		Int.
QTY	VALVE SPRING	PART NO.	SIZE	DESCRIPTION
24	Valve Spring	FP-6150-41-4450		
24	Valve Spring Seat	FP-6150-41-4430		Lower
24	Valve Spring Seat	FP-6150-41-4510		Upper

CYLINDER COMPONENTS

QTY	CONNECTING RODS & BRGS.	PART NO.	SIZE	DESCRIPTION
6	Connecting Rod Bearing Pair	FP-6151-31-3040	STD	
6	Connecting Rod Bearing Pair	FP-6151-39-3040	.25MM	
6	Connecting Rod Bearing Pair	FP-6151-38-3040	.50MM	
6	Connecting Rod Bearing Pair	FP-6151-37-3040	.75MM	
6	Connecting Rod Bearing Pair	FP-6151-36-3040	1.00MM	
QTY	LINERS	PART NO.	SIZE	DESCRIPTION
6	Cylinder Kit Complete	FP-LK502110		
6	Liner w/o Sealing Ring	FP-6151-22-2220		
6	O-Ring	FP-6150-21-2230		
6	O-Ring	FP-6150-21-2240		
6	Sealing Ring, Liner	FP-6150-21-2250		
QTY	PISTON RINGS	PART NO.	SIZE	DESCRIPTION
6	Ring Set, Single Cylinder	FP-6150-32-2030		
QTY	PISTONS	PART NO.	SIZE	DESCRIPTION
6	Piston Body w/o Pin	FP-6150-32-2110		
6	Piston Pin	FP-6150-31-2410		
6	Piston Pin Bushing	FP-6150-31-3130		
12	Piston Pin Retainer	FP-04065-04818		

ENGINE BLOCK & PARTS

QTY	CAM BEARINGS	PART NO.	SIZE	DESCRIPTION
7	Camshaft Bearing	FP-6150-21-1490		
QTY	GASKET SETS	PART NO.	SIZE	DESCRIPTION
1	Conversion Gasket Set	FP-6153-K2-9900		
QTY	GASKETS	PART NO.	SIZE	DESCRIPTION
1	Oil Pan Gasket	FP-6150-21-5812		

FUEL SYSTEM & PARTS

QTY	FUEL INJECTION	PART NO.	SIZE	DESCRIPTION
6	Fuel Injector Sleeve	FP-6136-11-1130		

INT & EXH MANIFOLDS

QTY	INT. & EXH. MANIFOLDS	PART NO.	SIZE	DESCRIPTION
6	Exhaust Manifold Gasket	FP-6150-11-5810		
6	Intake Manifold Gasket	FP-6150-13-4810		

11.0L 674 OHV L6, 4.9213" Bore 113
Dozer

S6D125; Build Series 1E; Eng. Ser. No. 23193-Up; Model D75S-5; Model Ser. No. 15001-Up

COOLING SYSTEM

QTY	THERMOSTAT	PART NO.	SIZE	DESCRIPTION
1	O-Ring	FP-6138-11-6810		
1	Thermostat	FP-600-421-6310		
QTY	WATER PUMP	PART NO.	SIZE	DESCRIPTION
1	Water Pump - Heavy Duty	FP-6151-61-1121		
1	Water Pump Gasket Kit	FP-6151-K6-9902		

(continued on next page)

113 11.0L 674 OHV L6, 4.9213" Bore (cont.)

CRANKSHAFT/OIL PUMP				
QTY	CRANKSHAFT	PART NO.	SIZE	DESCRIPTION
1	Crankshaft	FP-6151-35-1010		
QTY	MAIN BEARINGS	PART NO.	SIZE	DESCRIPTION
1	Main Bearing and Thrust Washer	FP-6150-21-8000		
7	Main Bearing, Flanged	FP-6150-21-8010	STD	
7	Main Bearing, Flanged	FP-6150-29-8010	.25MM	
7	Main Bearing, Flanged	FP-6150-28-8010	.50MM	
7	Main Bearing, Flanged	FP-6150-27-8010	.75MM	
7	Main Bearing, Flanged	FP-6150-26-8010	1.00MM	
1	Thrust Washer	FP-6150-21-8050	STD	
1	Thrust Washer	FP-6150-29-8050	.25MM	
1	Thrust Washer	FP-6150-28-8050	.50MM	
1	Thrust Washer	FP-6150-27-8050	.75MM	
1	Thrust Washer	FP-6150-26-8050	1.00MM	
QTY	OIL PUMP	PART NO.	SIZE	DESCRIPTION
1	Oil Pump	FP-6151-51-1005		
QTY	SEALS - FRONT CRANK	PART NO.	SIZE	DESCRIPTION
1	Oil Seal	FP-6150-21-3230		
QTY	SEALS - REAR CRANK	PART NO.	SIZE	DESCRIPTION
1	Oil Seal	FP-6151-21-4161		
CYL. HEAD & PARTS				
QTY	GASKETS	PART NO.	SIZE	DESCRIPTION
6	Head Gasket	FP-6150-17-1813		
1	Head Gasket Set	FP-6151-K1-9901		
6	Valve Cover Gasket	FP-6150-11-8810		
QTY	PUSH RODS	PART NO.	SIZE	DESCRIPTION
12	Push Rod	FP-6150-41-3111		
QTY	VALVE	PART NO.	SIZE	DESCRIPTION
48	Valve Keeper	FP-6136-42-4520		Int. & Exh.
12	Valve, Exhaust	FP-6150-41-4210		
12	Valve, Intake	FP-6150-41-4111		
QTY	VALVE GUIDE	PART NO.	SIZE	DESCRIPTION
12	Valve Guide	FP-6150-12-1341		Int.
12	Valve Guide	FP-6150-12-1351		Exh.
QTY	VALVE SEAL	PART NO.	SIZE	DESCRIPTION
12	Valve Stem Seal	FP-6140-41-4540		
QTY	VALVE SEAT	PART NO.	SIZE	DESCRIPTION
12	Valve Seat	FP-6150-11-1320		Exh.
12	Valve Seat	FP-6151-11-1330		Int.
QTY	VALVE SPRING	PART NO.	SIZE	DESCRIPTION
12	Valve Spring	FP-6150-41-4411		Exh.
12	Valve Spring	FP-6150-41-4420		Int.
24	Valve Spring Seat	FP-6150-41-4430		Lower
24	Valve Spring Seat	FP-6150-41-4510		Upper
CYLINDER COMPONENTS				
QTY	CONNECTING RODS & BRGS.	PART NO.	SIZE	DESCRIPTION
6	Connecting Rod Bearing Pair	FP-6150-31-3040	STD	
6	Connecting Rod Bearing Pair	FP-6150-39-3040	.25MM	
6	Connecting Rod Bearing Pair	FP-6150-38-3040	.50MM	
6	Connecting Rod Bearing Pair	FP-6150-37-3040	.75MM	
6	Connecting Rod Bearing Pair	FP-6150-36-3040	1.00MM	
QTY	LINERS	PART NO.	SIZE	DESCRIPTION
6	Cylinder Kit Complete	FP-LK512150		
6	Liner w/o Sealing Ring	FP-6151-22-2220		
6	O-Ring	FP-6150-21-2230		
6	O-Ring	FP-6150-21-2240		
6	Sealing Ring, Liner	FP-6150-21-2250		
QTY	PISTON RINGS	PART NO.	SIZE	DESCRIPTION
6	Ring Set, Single Cylinder	FP-6150-31-2033		
QTY	PISTONS	PART NO.	SIZE	DESCRIPTION
6	Piston Body w/o Pin	FP-6151-31-2150		
6	Piston Kit w/Pin & Retainers	FP-6151-31-2060		

(continued on next page)

11.0L 674 OHV L6, 4.9213" Bore **113** (cont.)

CYLINDER COMPONENTS (cont.)

QTY	PISTONS (cont.)	PART NO.	SIZE	DESCRIPTION
6	Piston Pin	FP-6151-31-2420		
6	Piston Pin Bushing	FP-6150-31-3130		
12	Piston Pin Retainer	FP-04065-04818		

ENGINE BLOCK & PARTS

QTY	CAM BEARINGS	PART NO.	SIZE	DESCRIPTION
7	Camshaft Bearing	FP-6150-21-1490		
QTY	GASKET SETS	PART NO.	SIZE	DESCRIPTION
1	Conversion Gasket Set	FP-6151-K2-9901		
QTY	GASKETS	PART NO.	SIZE	DESCRIPTION
1	Oil Pan Gasket	FP-6150-21-5812		

FUEL SYSTEM & PARTS

QTY	FUEL INJECTION	PART NO.	SIZE	DESCRIPTION
6	Fuel Injector Sleeve	FP-6136-11-1130		

INT & EXH MANIFOLDS

QTY	INT. & EXH. MANIFOLDS	PART NO.	SIZE	DESCRIPTION
6	Exhaust Manifold Gasket	FP-6150-11-5810		
6	Intake Manifold Gasket	FP-6150-13-4810		

11.0L 674 OHV L6, 4.9213" Bore **114** *Dozer*

S6D125; Build Series 1AG; Eng. Ser. No. 51975-Up; Model D65EX-12; From Model Ser. No. 60001 to 60941
 S6D125; Build Series 1AG; Eng. Ser. No. 51975-Up; Model D65P-12; From Model Ser. No. 60001 to 60883
 S6D125; Build Series 1AG; Eng. Ser. No. 51975-Up; Model D65PX-12; From Model Ser. No. 60001 to 60883

COOLING SYSTEM

QTY	THERMOSTAT	PART NO.	SIZE	DESCRIPTION
1	O-Ring	FP-6138-11-6810		
1	Thermostat	FP-600-421-6310		
QTY	WATER PUMP	PART NO.	SIZE	DESCRIPTION
1	Water Pump - Heavy Duty	FP-6151-61-1121		
1	Water Pump Gasket Kit	FP-6151-K6-9902		

CRANKSHAFT/OIL PUMP

QTY	CRANKSHAFT	PART NO.	SIZE	DESCRIPTION
1	Crankshaft	FP-6151-35-1010		
QTY	MAIN BEARINGS	PART NO.	SIZE	DESCRIPTION
1	Main Bearing and Thrust Washer	FP-6150-21-8000		
7	Main Bearing, Flanged	FP-6150-21-8010	STD	
7	Main Bearing, Flanged	FP-6150-29-8010	.25MM	
7	Main Bearing, Flanged	FP-6150-28-8010	.50MM	
7	Main Bearing, Flanged	FP-6150-27-8010	.75MM	
7	Main Bearing, Flanged	FP-6150-26-8010	1.00MM	
1	Thrust Washer	FP-6150-21-8050	STD	
1	Thrust Washer	FP-6150-29-8050	.25MM	
1	Thrust Washer	FP-6150-28-8050	.50MM	
1	Thrust Washer	FP-6150-27-8050	.75MM	
1	Thrust Washer	FP-6150-26-8050	1.00MM	
QTY	OIL PUMP	PART NO.	SIZE	DESCRIPTION
1	Oil Pump	FP-6151-51-1005		
QTY	SEALS - FRONT CRANK	PART NO.	SIZE	DESCRIPTION
1	Oil Seal	FP-6150-21-3230		
QTY	SEALS - REAR CRANK	PART NO.	SIZE	DESCRIPTION
1	Oil Seal	FP-6151-21-4161		

CYL. HEAD & PARTS

QTY	GASKETS	PART NO.	SIZE	DESCRIPTION
6	Head Gasket	FP-6150-17-1813		
1	Head Gasket Set	FP-6151-K1-9901		
6	Valve Cover Gasket	FP-6150-11-8810		
QTY	PUSH RODS	PART NO.	SIZE	DESCRIPTION
12	Push Rod	FP-6150-41-3111		

(continued on next page)

114 11.0L 674 OHV L6, 4.9213" Bore (cont.)

CYL. HEAD & PARTS (cont.)

QTY	VALVE	PART NO.	SIZE	DESCRIPTION
48	Valve Keeper	FP-6136-42-4520		Int. & Exh.
12	Valve, Exhaust	FP-6150-41-4210		
12	Valve, Intake	FP-6150-41-4111		
QTY	VALVE GUIDE	PART NO.	SIZE	DESCRIPTION
12	Valve Guide	FP-6150-12-1341		Int.
12	Valve Guide	FP-6150-12-1351		Exh.
QTY	VALVE SEAL	PART NO.	SIZE	DESCRIPTION
12	Valve Stem Seal	FP-6140-41-4540		
QTY	VALVE SEAT	PART NO.	SIZE	DESCRIPTION
12	Valve Seat	FP-6150-11-1320		Exh.
12	Valve Seat	FP-6151-11-1330		Int.
QTY	VALVE SPRING	PART NO.	SIZE	DESCRIPTION
24	Valve Spring	FP-6150-41-4411		
24	Valve Spring Seat	FP-6150-41-4430		Lower
24	Valve Spring Seat	FP-6150-41-4510		Upper

CYLINDER COMPONENTS

QTY	CONNECTING RODS & BRGS.	PART NO.	SIZE	DESCRIPTION
6	Connecting Rod Bearing Pair	FP-6150-31-3040	STD	
6	Connecting Rod Bearing Pair	FP-6150-39-3040	.25MM	
6	Connecting Rod Bearing Pair	FP-6150-38-3040	.50MM	
6	Connecting Rod Bearing Pair	FP-6150-37-3040	.75MM	
6	Connecting Rod Bearing Pair	FP-6150-36-3040	1.00MM	
QTY	LINERS	PART NO.	SIZE	DESCRIPTION
6	Cylinder Kit Complete	FP-LK512150		
6	Liner w/o Sealing Ring	FP-6151-22-2220		
6	O-Ring	FP-6150-21-2230		
6	O-Ring	FP-6150-21-2240		
6	Sealing Ring, Liner	FP-6150-21-2250		
QTY	PISTON RINGS	PART NO.	SIZE	DESCRIPTION
6	Ring Set, Single Cylinder	FP-6150-31-2033		
QTY	PISTONS	PART NO.	SIZE	DESCRIPTION
6	Piston Body w/o Pin	FP-6151-31-2150		
6	Piston Kit w/Pin & Retainers	FP-6151-31-2060		
6	Piston Pin	FP-6151-31-2420		
6	Piston Pin Bushing	FP-6150-31-3130		
12	Piston Pin Retainer	FP-04065-04818		

ENGINE BLOCK & PARTS

QTY	CAM BEARINGS	PART NO.	SIZE	DESCRIPTION
7	Camshaft Bearing	FP-6150-21-1490		
QTY	GASKET SETS	PART NO.	SIZE	DESCRIPTION
1	Conversion Gasket Set	FP-6151-K2-9901		
QTY	GASKETS	PART NO.	SIZE	DESCRIPTION
1	Oil Pan Gasket	FP-6150-21-5812		

FUEL SYSTEM & PARTS

QTY	FUEL INJECTION	PART NO.	SIZE	DESCRIPTION
6	Fuel Injector Sleeve	FP-6136-11-1130		

INT & EXH MANIFOLDS

QTY	INT. & EXH. MANIFOLDS	PART NO.	SIZE	DESCRIPTION
6	Exhaust Manifold Gasket	FP-6150-11-5810		
6	Intake Manifold Gasket	FP-6150-13-4810		

115 11.0L 674 OHV L6, 4.9213" Bore Dozer

S6D125; Build Series 1FF; Eng. Ser. No. 24781-Up; Model D75A-1; Model Ser. No. 50001-Up

COOLING SYSTEM

QTY	THERMOSTAT	PART NO.	SIZE	DESCRIPTION
1	O-Ring	FP-6138-11-6810		
1	Thermostat	FP-600-421-6310		

(continued on next page)

11.0L 674 OHV L6, 4.9213" Bore 115
(cont.)

COOLING SYSTEM (cont.)				
QTY	WATER PUMP	PART NO.	SIZE	DESCRIPTION
1	Water Pump - Heavy Duty	FP-6151-61-1121		
1	Water Pump Gasket Kit	FP-6151-K6-9902		
CRANKSHAFT/OIL PUMP				
QTY	CRANKSHAFT	PART NO.	SIZE	DESCRIPTION
1	Crankshaft	FP-6151-35-1010		
QTY	MAIN BEARINGS	PART NO.	SIZE	DESCRIPTION
1	Main Bearing and Thrust Washer	FP-6150-21-8000		
7	Main Bearing, Flanged	FP-6150-21-8010	STD	
7	Main Bearing, Flanged	FP-6150-29-8010	.25MM	
7	Main Bearing, Flanged	FP-6150-28-8010	.50MM	
7	Main Bearing, Flanged	FP-6150-27-8010	.75MM	
7	Main Bearing, Flanged	FP-6150-26-8010	1.00MM	
1	Thrust Washer	FP-6150-21-8050	STD	
1	Thrust Washer	FP-6150-29-8050	.25MM	
1	Thrust Washer	FP-6150-28-8050	.50MM	
1	Thrust Washer	FP-6150-27-8050	.75MM	
1	Thrust Washer	FP-6150-26-8050	1.00MM	
QTY	OIL PUMP	PART NO.	SIZE	DESCRIPTION
1	Oil Pump	FP-6151-51-1005		
QTY	SEALS - FRONT CRANK	PART NO.	SIZE	DESCRIPTION
1	Oil Seal	FP-6150-21-3230		
QTY	SEALS - REAR CRANK	PART NO.	SIZE	DESCRIPTION
1	Oil Seal	FP-6151-21-4161		
CYL. HEAD & PARTS				
QTY	GASKETS	PART NO.	SIZE	DESCRIPTION
6	Head Gasket	FP-6150-17-1813		
1	Head Gasket Set	FP-6151-K1-9901		
6	Valve Cover Gasket	FP-6150-11-8810		
QTY	PUSH RODS	PART NO.	SIZE	DESCRIPTION
12	Push Rod	FP-6150-41-3111		
QTY	VALVE	PART NO.	SIZE	DESCRIPTION
48	Valve Keeper	FP-6136-42-4520		Int. & Exh.
12	Valve, Exhaust	FP-6150-41-4210		
12	Valve, Intake	FP-6150-41-4111		
QTY	VALVE GUIDE	PART NO.	SIZE	DESCRIPTION
12	Valve Guide	FP-6150-12-1341		Int.
12	Valve Guide	FP-6150-12-1351		Exh.
QTY	VALVE SEAL	PART NO.	SIZE	DESCRIPTION
12	Valve Stem Seal	FP-6140-41-4540		
QTY	VALVE SEAT	PART NO.	SIZE	DESCRIPTION
12	Valve Seat	FP-6150-11-1320		Exh.
12	Valve Seat	FP-6151-11-1330		Int.
QTY	VALVE SPRING	PART NO.	SIZE	DESCRIPTION
12	Valve Spring	FP-6150-41-4411		Exh.
12	Valve Spring	FP-6150-41-4420		Int.
24	Valve Spring Seat	FP-6150-41-4430		Lower
24	Valve Spring Seat	FP-6150-41-4510		Upper
CYLINDER COMPONENTS				
QTY	CONNECTING RODS & BRGS.	PART NO.	SIZE	DESCRIPTION
6	Connecting Rod Bearing Pair	FP-6150-31-3040	STD	
6	Connecting Rod Bearing Pair	FP-6150-39-3040	.25MM	
6	Connecting Rod Bearing Pair	FP-6150-38-3040	.50MM	
6	Connecting Rod Bearing Pair	FP-6150-37-3040	.75MM	
6	Connecting Rod Bearing Pair	FP-6150-36-3040	1.00MM	
QTY	LINERS	PART NO.	SIZE	DESCRIPTION
6	Cylinder Kit Complete	FP-LK512150		
6	Liner w/o Sealing Ring	FP-6151-22-2220		
6	O-Ring	FP-6150-21-2230		
6	O-Ring	FP-6150-21-2240		
6	Sealing Ring, Liner	FP-6150-21-2250		

(continued on next page)

115 11.0L 674 OHV L6, 4.9213" Bore (cont.)

CYLINDER COMPONENTS (cont.)

QTY	PISTON RINGS	PART NO.	SIZE	DESCRIPTION
6	Ring Set, Single Cylinder	FP-6150-31-2033		
QTY	PISTONS	PART NO.	SIZE	DESCRIPTION
6	Piston Body w/o Pin	FP-6151-31-2150		
6	Piston Kit w/Pin & Retainers	FP-6151-31-2060		
6	Piston Pin	FP-6151-31-2420		
6	Piston Pin Bushing	FP-6151-31-3230		
12	Piston Pin Retainer	FP-04065-04818		

ENGINE BLOCK & PARTS

QTY	CAM BEARINGS	PART NO.	SIZE	DESCRIPTION
7	Camshaft Bearing	FP-6150-21-1490		
QTY	GASKET SETS	PART NO.	SIZE	DESCRIPTION
1	Conversion Gasket Set	FP-6151-K2-9901		
QTY	GASKETS	PART NO.	SIZE	DESCRIPTION
1	Oil Pan Gasket	FP-6150-21-5812		

FUEL SYSTEM & PARTS

QTY	FUEL INJECTION	PART NO.	SIZE	DESCRIPTION
6	Fuel Injector Sleeve	FP-6136-11-1130		

INT & EXH MANIFOLDS

QTY	INT. & EXH. MANIFOLDS	PART NO.	SIZE	DESCRIPTION
6	Exhaust Manifold Gasket	FP-6150-11-5810		
6	Intake Manifold Gasket	FP-6150-13-4810		

116 11.0L 674 OHV L6, 4.9213" Bore

Dozer

S6D125; Build Series 1CC-C; Eng. Ser. No. 22313-Up; Model D85A-21B; From Model Ser. No. 35001 to 36533
 S6D125; Build Series 1CC; Eng. Ser. No. 22313-Up; Model D85A-21; From Model Ser. No. 35001 to 36533
 S6D125; Build Series 1CC; Eng. Ser. No. 22313-Up; Model D85E-21; From Model Ser. No. 35001 to 36533
 S6D125; Build Series 1CC; Eng. Ser. No. 22313-Up; Model D85P-21; From Model Ser. No. 3001 to 3688
 S6D125; Build Series 1GG; Eng. Ser. No. 25851-Up; Model D83E-1; Model Ser. No. 1001-Up
 S6D125; Build Series 1GG; Eng. Ser. No. 25851-Up; Model D83P-1; Model Ser. No. 1001-Up

COOLING SYSTEM

QTY	THERMOSTAT	PART NO.	SIZE	DESCRIPTION
1	O-Ring	FP-6138-11-6810		
1	Thermostat	FP-600-421-6310		
QTY	WATER PUMP	PART NO.	SIZE	DESCRIPTION
1	Water Pump - Heavy Duty	FP-6151-61-1121		
1	Water Pump Gasket Kit	FP-6151-K6-9902		

CRANKSHAFT/OIL PUMP

QTY	CRANKSHAFT	PART NO.	SIZE	DESCRIPTION
1	Crankshaft	FP-6151-35-1010		
QTY	MAIN BEARINGS	PART NO.	SIZE	DESCRIPTION
1	Main Bearing and Thrust Washer	FP-6150-21-8000		
7	Main Bearing, Flanged	FP-6150-21-8010	STD	
7	Main Bearing, Flanged	FP-6150-29-8010	.25MM	
7	Main Bearing, Flanged	FP-6150-28-8010	.50MM	
7	Main Bearing, Flanged	FP-6150-27-8010	.75MM	
7	Main Bearing, Flanged	FP-6150-26-8010	1.00MM	
1	Thrust Washer	FP-6150-21-8050	STD	
1	Thrust Washer	FP-6150-29-8050	.25MM	
1	Thrust Washer	FP-6150-28-8050	.50MM	
1	Thrust Washer	FP-6150-27-8050	.75MM	
1	Thrust Washer	FP-6150-26-8050	1.00MM	
QTY	OIL PUMP	PART NO.	SIZE	DESCRIPTION
1	Oil Pump	FP-6151-51-1005		
QTY	SEALS - FRONT CRANK	PART NO.	SIZE	DESCRIPTION
1	Oil Seal	FP-6150-21-3230		
QTY	SEALS - REAR CRANK	PART NO.	SIZE	DESCRIPTION
1	Oil Seal	FP-6151-21-4161		

(continued on next page)

11.0L 674 OHV L6, 4.9213" Bore 116
(cont.)

CYL. HEAD & PARTS				
QTY	GASKETS	PART NO.	SIZE	DESCRIPTION
6	Head Gasket	FP-6150-17-1813		
1	Head Gasket Set	FP-6151-K1-9901		
6	Valve Cover Gasket	FP-6150-11-8810		
QTY	PUSH RODS	PART NO.	SIZE	DESCRIPTION
12	Push Rod	FP-6150-41-3111		
QTY	VALVE	PART NO.	SIZE	DESCRIPTION
48	Valve Keeper	FP-6136-42-4520		Int. & Exh.
12	Valve, Exhaust	FP-6150-41-4210		
12	Valve, Intake	FP-6150-41-4111		
QTY	VALVE GUIDE	PART NO.	SIZE	DESCRIPTION
12	Valve Guide	FP-6150-12-1341		Int.
12	Valve Guide	FP-6150-12-1351		Exh.
QTY	VALVE SEAL	PART NO.	SIZE	DESCRIPTION
12	Valve Stem Seal	FP-6140-41-4540		
QTY	VALVE SEAT	PART NO.	SIZE	DESCRIPTION
12	Valve Seat	FP-6150-11-1320		Exh.
12	Valve Seat	FP-6151-11-1330		Int.
QTY	VALVE SPRING	PART NO.	SIZE	DESCRIPTION
12	Valve Spring	FP-6150-41-4411		Exh.
12	Valve Spring	FP-6150-41-4420		Int.
24	Valve Spring Seat	FP-6150-41-4430		Lower
24	Valve Spring Seat	FP-6150-41-4510		Upper
CYLINDER COMPONENTS				
QTY	CONNECTING RODS & BRGS.	PART NO.	SIZE	DESCRIPTION
6	Connecting Rod Bearing Pair	FP-6150-31-3040		STD
6	Connecting Rod Bearing Pair	FP-6150-39-3040		.25MM
6	Connecting Rod Bearing Pair	FP-6150-38-3040		.50MM
6	Connecting Rod Bearing Pair	FP-6150-37-3040		.75MM
6	Connecting Rod Bearing Pair	FP-6150-36-3040		1.00MM
QTY	LINERS	PART NO.	SIZE	DESCRIPTION
6	Cylinder Kit Complete	FP-LK512171		
6	Liner w/o Sealing Ring	FP-6151-22-2220		
6	O-Ring	FP-6150-21-2230		
6	O-Ring	FP-6150-21-2240		
6	Sealing Ring, Liner	FP-6150-21-2250		
QTY	PISTON RINGS	PART NO.	SIZE	DESCRIPTION
6	Ring Set, Single Cylinder	FP-6150-31-2033		
QTY	PISTONS	PART NO.	SIZE	DESCRIPTION
6	Piston Body w/o Pin	FP-6151-31-2171		
6	Piston Kit w/Pin & Retainers	FP-6151-31-2071		
6	Piston Pin	FP-6151-31-2420		
6	Piston Pin Bushing	FP-6151-31-3230		
12	Piston Pin Retainer	FP-04065-04818		
ENGINE BLOCK & PARTS				
QTY	CAM BEARINGS	PART NO.	SIZE	DESCRIPTION
7	Camshaft Bearing	FP-6150-21-1490		
QTY	GASKET SETS	PART NO.	SIZE	DESCRIPTION
1	Conversion Gasket Set	FP-6151-K2-9901		
QTY	GASKETS	PART NO.	SIZE	DESCRIPTION
1	Oil Pan Gasket	FP-6150-21-5812		
FUEL SYSTEM & PARTS				
QTY	FUEL INJECTION	PART NO.	SIZE	DESCRIPTION
6	Fuel Injector Sleeve	FP-6136-11-1130		
INT & EXH MANIFOLDS				
QTY	INT. & EXH. MANIFOLDS	PART NO.	SIZE	DESCRIPTION
6	Exhaust Manifold Gasket	FP-6150-11-5810		
6	Intake Manifold Gasket	FP-6150-13-4810		

117 11.0L 674 OHV L6, 4.9213" Bore

Dozer

S6D125; Build Series 1E; From Eng. Ser. No. 10006 to 23192; Model D75S-5; Model Ser. No. 15001-Up
 S6D125; Build Series 1F; Eng. Ser. No. 10001-Up; Model D60A-8A; Model Ser. No. 45001-Up
 S6D125; Build Series 1F; Eng. Ser. No. 10001-Up; Model D60F-8; Model Ser. No. 45001-Up

COOLING SYSTEM

QTY	THERMOSTAT	PART NO.	SIZE	DESCRIPTION
1	O-Ring	FP-6138-11-6810		
1	Thermostat	FP-600-421-6310		

QTY	WATER PUMP	PART NO.	SIZE	DESCRIPTION
1	Water Pump Gasket Kit	FP-6151-K6-9902		

CRANKSHAFT/OIL PUMP

QTY	CRANKSHAFT	PART NO.	SIZE	DESCRIPTION
1	Crankshaft	FP-6151-35-1010		

QTY	MAIN BEARINGS	PART NO.	SIZE	DESCRIPTION
1	Main Bearing and Thrust Washer	FP-6150-21-8000		
7	Main Bearing, Flanged	FP-6150-21-8010	STD	
7	Main Bearing, Flanged	FP-6150-29-8010	.25MM	
7	Main Bearing, Flanged	FP-6150-28-8010	.50MM	
7	Main Bearing, Flanged	FP-6150-27-8010	.75MM	
7	Main Bearing, Flanged	FP-6150-26-8010	1.00MM	
1	Thrust Washer	FP-6150-21-8050	STD	
1	Thrust Washer	FP-6150-29-8050	.25MM	
1	Thrust Washer	FP-6150-28-8050	.50MM	
1	Thrust Washer	FP-6150-27-8050	.75MM	
1	Thrust Washer	FP-6150-26-8050	1.00MM	

QTY	OIL PUMP	PART NO.	SIZE	DESCRIPTION
1	Oil Pump	FP-6151-51-1005		

QTY	SEALS - FRONT CRANK	PART NO.	SIZE	DESCRIPTION
1	Oil Seal	FP-6150-21-3230		

QTY	SEALS - REAR CRANK	PART NO.	SIZE	DESCRIPTION
1	Oil Seal	FP-6151-21-4161		

CYL. HEAD & PARTS

QTY	GASKETS	PART NO.	SIZE	DESCRIPTION
6	Head Gasket	FP-6150-17-1813		
1	Head Gasket Set	FP-6151-K1-9901		
6	Valve Cover Gasket	FP-6150-11-8810		

QTY	PUSH RODS	PART NO.	SIZE	DESCRIPTION
12	Push Rod	FP-6150-41-3111		

QTY	VALVE	PART NO.	SIZE	DESCRIPTION
48	Valve Keeper	FP-6136-42-4520		Int. & Exh.
12	Valve, Exhaust	FP-6150-41-4210		
12	Valve, Intake	FP-6150-41-4111		

QTY	VALVE GUIDE	PART NO.	SIZE	DESCRIPTION
12	Valve Guide	FP-6150-12-1341		Int.
12	Valve Guide	FP-6150-12-1351		Exh.

QTY	VALVE SEAL	PART NO.	SIZE	DESCRIPTION
12	Valve Stem Seal	FP-6140-41-4540		

QTY	VALVE SEAT	PART NO.	SIZE	DESCRIPTION
12	Valve Seat	FP-6150-11-1320		Exh.
12	Valve Seat	FP-6151-11-1330		Int.

QTY	VALVE SPRING	PART NO.	SIZE	DESCRIPTION
12	Valve Spring	FP-6150-41-4411		Exh.
12	Valve Spring	FP-6150-41-4420		Int.
24	Valve Spring Seat	FP-6150-41-4430		Lower
24	Valve Spring Seat	FP-6150-41-4510		Upper

CYLINDER COMPONENTS

QTY	CONNECTING RODS & BRGS.	PART NO.	SIZE	DESCRIPTION
6	Connecting Rod Bearing Pair	FP-6151-31-3040	STD	
6	Connecting Rod Bearing Pair	FP-6151-39-3040	.25MM	
6	Connecting Rod Bearing Pair	FP-6151-38-3040	.50MM	
6	Connecting Rod Bearing Pair	FP-6151-37-3040	.75MM	
6	Connecting Rod Bearing Pair	FP-6151-36-3040	1.00MM	

(continued on next page)

11.0L 674 OHV L6, 4.9213" Bore 117

(cont.)

CYLINDER COMPONENTS (cont.)

QTY	LINERS	PART NO.	SIZE	DESCRIPTION
6	Cylinder Kit Complete	FP-LK512710		
6	Liner w/o Sealing Ring	FP-6151-22-2220		
6	O-Ring	FP-6150-21-2230		
6	O-Ring	FP-6150-21-2240		
6	Sealing Ring, Liner	FP-6150-21-2250		
QTY	PISTON RINGS	PART NO.	SIZE	DESCRIPTION
6	Ring Set, Single Cylinder	FP-6150-31-2033		
QTY	PISTONS	PART NO.	SIZE	DESCRIPTION
6	Piston Body w/o Pin	FP-6151-31-2710		
6	Piston Kit w/Pin & Retainers	FP-6151-31-2012		
6	Piston Pin	FP-6151-31-2410		
6	Piston Pin Bushing	FP-6150-31-3130		
12	Piston Pin Retainer	FP-04065-04818		

ENGINE BLOCK & PARTS

QTY	CAM BEARINGS	PART NO.	SIZE	DESCRIPTION
7	Camshaft Bearing	FP-6150-21-1490		
QTY	GASKET SETS	PART NO.	SIZE	DESCRIPTION
1	Conversion Gasket Set	FP-6151-K2-9901		
QTY	GASKETS	PART NO.	SIZE	DESCRIPTION
1	Oil Pan Gasket	FP-6150-21-5812		

FUEL SYSTEM & PARTS

QTY	FUEL INJECTION	PART NO.	SIZE	DESCRIPTION
6	Fuel Injector Sleeve	FP-6136-11-1130		

INT & EXH MANIFOLDS

QTY	INT. & EXH. MANIFOLDS	PART NO.	SIZE	DESCRIPTION
6	Exhaust Manifold Gasket	FP-6150-11-5810		
6	Intake Manifold Gasket	FP-6150-13-4810		

11.0L 674 OHV L6, 4.9213" Bore 118

Dozer

S6D125E; Build Series 2A; Eng. Ser. No. 60863-Up; Model D65EX-12; Model Ser. No. 60942-Up
 S6D125E; Build Series 2A; Eng. Ser. No. 60863-Up; Model D65P-12; Model Ser. No. 60884-Up
 S6D125E; Build Series 2A; Eng. Ser. No. 60863-Up; Model D65PX-12; Model Ser. No. 60884-Up
 S6D125E; Build Series 2J; Eng. Ser. No. 60863-Up; Model D75S-5; Model Ser. No. 15001-Up

COOLING SYSTEM

QTY	THERMOSTAT	PART NO.	SIZE	DESCRIPTION
1	O-Ring	FP-6150-22-6490		
1	Thermostat	FP-600-421-6630		
QTY	WATER PUMP	PART NO.	SIZE	DESCRIPTION
1	Water Pump - Heavy Duty	FP-6151-62-1104		
1	Water Pump Gasket Kit	FP-6155-K6-9900		

CRANKSHAFT/OIL PUMP

QTY	CRANKSHAFT	PART NO.	SIZE	DESCRIPTION
1	Crankshaft	FP-6151-35-1010		
QTY	MAIN BEARINGS	PART NO.	SIZE	DESCRIPTION
1	Main Bearing and Thrust Washer	FP-6150-21-8000		
7	Main Bearing, Flanged	FP-6150-21-8010	STD	
7	Main Bearing, Flanged	FP-6150-29-8010	.25MM	
7	Main Bearing, Flanged	FP-6150-28-8010	.50MM	
7	Main Bearing, Flanged	FP-6150-27-8010	.75MM	
7	Main Bearing, Flanged	FP-6150-26-8010	1.00MM	
1	Thrust Washer	FP-6150-21-8050	STD	
1	Thrust Washer	FP-6150-29-8050	.25MM	
1	Thrust Washer	FP-6150-28-8050	.50MM	
1	Thrust Washer	FP-6150-27-8050	.75MM	
1	Thrust Washer	FP-6150-26-8050	1.00MM	
QTY	OIL PUMP	PART NO.	SIZE	DESCRIPTION
1	Oil Pump	FP-6151-51-1005		
QTY	SEALS - FRONT CRANK	PART NO.	SIZE	DESCRIPTION
1	Oil Seal	FP-6150-21-3230		

(continued on next page)

118 11.0L 674 OHV L6, 4.9213" Bore (cont.)

CRANKSHAFT/OIL PUMP (cont.)				
QTY	SEALS - REAR CRANK	PART NO.	SIZE	DESCRIPTION
1	Oil Seal	FP-6151-21-4161		
CYL. HEAD & PARTS				
QTY	GASKETS	PART NO.	SIZE	DESCRIPTION
6	Head Gasket	FP-6151-12-1810		
1	Head Gasket Set	FP-6154-K1-9900		
6	Valve Cover Gasket	FP-6150-11-8810		
QTY	PUSH RODS	PART NO.	SIZE	DESCRIPTION
12	Push Rod	FP-6150-41-3111		
QTY	VALVE	PART NO.	SIZE	DESCRIPTION
48	Valve Keeper	FP-6136-42-4520		Int. & Exh.
12	Valve, Exhaust	FP-6150-42-4210		
12	Valve, Intake	FP-6150-42-4110		
QTY	VALVE GUIDE	PART NO.	SIZE	DESCRIPTION
24	Valve Guide	FP-6150-12-1370		Int. & Exh.
QTY	VALVE SEAL	PART NO.	SIZE	DESCRIPTION
24	Valve Stem Seal	FP-6140-41-4570		
QTY	VALVE SEAT	PART NO.	SIZE	DESCRIPTION
12	Valve Seat	FP-6150-11-1320		Exh.
12	Valve Seat	FP-6151-11-1330		Int.
QTY	VALVE SPRING	PART NO.	SIZE	DESCRIPTION
24	Valve Spring	FP-6150-41-4450		Int. & Exh.
24	Valve Spring Seat	FP-6150-41-4430		Lower
24	Valve Spring Seat	FP-6150-41-4510		Upper
CYLINDER COMPONENTS				
QTY	CONNECTING RODS & BRGS.	PART NO.	SIZE	DESCRIPTION
6	Connecting Rod Bearing Pair	FP-6150-31-3040		STD
6	Connecting Rod Bearing Pair	FP-6150-39-3040		.25MM
6	Connecting Rod Bearing Pair	FP-6150-38-3040		.50MM
6	Connecting Rod Bearing Pair	FP-6150-37-3040		.75MM
6	Connecting Rod Bearing Pair	FP-6150-36-3040		1.00MM
QTY	LINERS	PART NO.	SIZE	DESCRIPTION
6	Cylinder Kit Complete	FP-LK512110		
6	Liner w/o Sealing Ring	FP-6151-22-2220		
6	O-Ring	FP-6150-21-2230		
6	O-Ring	FP-6150-21-2240		
6	Sealing Ring, Liner	FP-6150-21-2250		
QTY	PISTON RINGS	PART NO.	SIZE	DESCRIPTION
6	Ring Set, Single Cylinder	FP-6150-32-2030		
QTY	PISTONS	PART NO.	SIZE	DESCRIPTION
6	Piston Body w/o Pin	FP-6151-32-2110		
6	Piston Pin	FP-6150-31-2420		
6	Piston Pin Bushing	FP-6150-31-3130		
12	Piston Pin Retainer	FP-04065-04818		
ENGINE BLOCK & PARTS				
QTY	CAM BEARINGS	PART NO.	SIZE	DESCRIPTION
7	Camshaft Bearing	FP-6150-21-1490		
QTY	GASKET SETS	PART NO.	SIZE	DESCRIPTION
1	Conversion Gasket Set	FP-6154-K2-9900		
QTY	GASKETS	PART NO.	SIZE	DESCRIPTION
1	Oil Pan Gasket	FP-6150-21-5812		
FUEL SYSTEM & PARTS				
QTY	FUEL INJECTION	PART NO.	SIZE	DESCRIPTION
6	Fuel Injector Sleeve	FP-6136-11-1130		
INT & EXH MANIFOLDS				
QTY	INT. & EXH. MANIFOLDS	PART NO.	SIZE	DESCRIPTION
6	Exhaust Manifold Gasket	FP-6150-11-5810		
6	Intake Manifold Gasket	FP-6150-13-4810		

11.0L 674 OHV L6, 4.9213" Bore 119

Dozer

S6D125E; Build Series 2; Model D87E-2; Model Ser. No. P090001-Up

COOLING SYSTEM

QTY	THERMOSTAT	PART NO.	SIZE	DESCRIPTION
1	O-Ring	FP-6150-22-6490		
1	Thermostat	FP-600-421-6630		
QTY	WATER PUMP	PART NO.	SIZE	DESCRIPTION
1	Water Pump - Heavy Duty	FP-6152-61-1102		
1	Water Pump Gasket Kit	FP-6155-K6-9900		

CRANKSHAFT/OIL PUMP

QTY	CRANKSHAFT	PART NO.	SIZE	DESCRIPTION
1	Crankshaft	FP-6151-35-1010		
QTY	MAIN BEARINGS	PART NO.	SIZE	DESCRIPTION
1	Main Bearing and Thrust Washer	FP-6150-21-8000		
7	Main Bearing, Flanged	FP-6150-21-8010	STD	
7	Main Bearing, Flanged	FP-6150-29-8010	.25MM	
7	Main Bearing, Flanged	FP-6150-28-8010	.50MM	
7	Main Bearing, Flanged	FP-6150-27-8010	.75MM	
7	Main Bearing, Flanged	FP-6150-26-8010	1.00MM	
1	Thrust Washer	FP-6150-21-8050	STD	
1	Thrust Washer	FP-6150-29-8050	.25MM	
1	Thrust Washer	FP-6150-28-8050	.50MM	
1	Thrust Washer	FP-6150-27-8050	.75MM	
1	Thrust Washer	FP-6150-26-8050	1.00MM	
QTY	OIL PUMP	PART NO.	SIZE	DESCRIPTION
1	Oil Pump	FP-6151-51-1005		
QTY	SEALS - FRONT CRANK	PART NO.	SIZE	DESCRIPTION
1	Oil Seal	FP-6150-21-3230		
QTY	SEALS - REAR CRANK	PART NO.	SIZE	DESCRIPTION
1	Oil Seal	FP-6151-21-4161		

CYL. HEAD & PARTS

QTY	GASKETS	PART NO.	SIZE	DESCRIPTION
6	Head Gasket	FP-6151-12-1810		
1	Head Gasket Set	FP-6154-K1-9900		
6	Valve Cover Gasket	FP-6150-11-8810		
QTY	PUSH RODS	PART NO.	SIZE	DESCRIPTION
12	Push Rod	FP-6150-41-3111		
QTY	VALVE	PART NO.	SIZE	DESCRIPTION
48	Valve Keeper	FP-6136-42-4520		Int. & Exh.
12	Valve, Exhaust	FP-6150-42-4210		
12	Valve, Intake	FP-6150-42-4110		
QTY	VALVE GUIDE	PART NO.	SIZE	DESCRIPTION
24	Valve Guide	FP-6150-12-1370		Int. & Exh.
QTY	VALVE SEAL	PART NO.	SIZE	DESCRIPTION
24	Valve Stem Seal	FP-6150-41-4570		
QTY	VALVE SEAT	PART NO.	SIZE	DESCRIPTION
12	Valve Seat	FP-6150-11-1320		Exh.
12	Valve Seat	FP-6150-12-1380		Int.
QTY	VALVE SPRING	PART NO.	SIZE	DESCRIPTION
24	Valve Spring	FP-6150-41-4450		Int. & Exh.
24	Valve Spring Seat	FP-6150-41-4430		Lower
24	Valve Spring Seat	FP-6150-41-4510		Upper

CYLINDER COMPONENTS

QTY	CONNECTING RODS & BRGS.	PART NO.	SIZE	DESCRIPTION
6	Connecting Rod Bearing Pair	FP-6150-31-3040	STD	
6	Connecting Rod Bearing Pair	FP-6150-39-3040	.25MM	
6	Connecting Rod Bearing Pair	FP-6150-38-3040	.50MM	
6	Connecting Rod Bearing Pair	FP-6150-37-3040	.75MM	
6	Connecting Rod Bearing Pair	FP-6150-36-3040	1.00MM	
QTY	LINERS	PART NO.	SIZE	DESCRIPTION
6	Cylinder Kit Complete	FP-LK522510		
6	Liner w/o Sealing Ring	FP-6154-21-2220		
6	O-Ring	FP-6150-21-2230		
6	O-Ring	FP-6150-21-2240		

(continued on next page)

119 11.0L 674 OHV L6, 4.9213" Bore (cont.)

CYLINDER COMPONENTS (cont.)

QTY	LINERS (cont.)	PART NO.	SIZE	DESCRIPTION
6	Sealing Ring, Liner	FP-6150-21-2250		
QTY	PISTON RINGS	PART NO.	SIZE	DESCRIPTION
6	Ring Set, Single Cylinder	FP-6150-32-2030		
QTY	PISTONS	PART NO.	SIZE	DESCRIPTION
6	Piston Body w/o Pin	FP-6152-32-2510		
6	Piston Pin	FP-6151-31-2410		
6	Piston Pin Bushing	FP-6150-31-3130		
12	Piston Pin Retainer	FP-04065-04818		

ENGINE BLOCK & PARTS

QTY	CAM BEARINGS	PART NO.	SIZE	DESCRIPTION
7	Camshaft Bearing	FP-6150-21-1490		
QTY	GASKET SETS	PART NO.	SIZE	DESCRIPTION
1	Conversion Gasket Set	FP-6154-K2-9900		
QTY	GASKETS	PART NO.	SIZE	DESCRIPTION
1	Oil Pan Gasket	FP-6150-21-5812		

FUEL SYSTEM & PARTS

QTY	FUEL INJECTION	PART NO.	SIZE	DESCRIPTION
6	Fuel Injector Sleeve	FP-6136-11-1130		

INT & EXH MANIFOLDS

QTY	INT. & EXH. MANIFOLDS	PART NO.	SIZE	DESCRIPTION
6	Exhaust Manifold Gasket	FP-6150-11-5810		
6	Intake Manifold Gasket	FP-6150-13-4810		

120 11.0L 674 OHV L6, 4.9213" Bore

Dozer

S6D125E; Build Series 2; Eng. Ser. No. 60863-Up; Model D87P-2; Model Ser. No. P092001-Up
 S6D125E; Build Series 2E; Eng. Ser. No. 60863-Up; Model D85E-21E; Model Ser. No. 36534-Up
 S6D125E; Build Series 2E; Eng. Ser. No. 60863-Up; Model D85P-21E; Model Ser. No. 3689-Up
 S6D125E; Build Series 2F; Eng. Ser. No. 60863-Up; Model D85C-21A; Model Ser. No. 36551-Up
 S6D125E; Build Series 2F; Eng. Ser. No. 60863-Up; Model D85C-21D; Model Ser. No. 36551-Up

COOLING SYSTEM

QTY	THERMOSTAT	PART NO.	SIZE	DESCRIPTION
1	O-Ring	FP-6150-22-6490		
1	Thermostat	FP-600-421-6630		
QTY	WATER PUMP	PART NO.	SIZE	DESCRIPTION
1	Water Pump - Heavy Duty	FP-6151-62-1104		
1	Water Pump Gasket Kit	FP-6155-K6-9900		

CRANKSHAFT/OIL PUMP

QTY	CRANKSHAFT	PART NO.	SIZE	DESCRIPTION
1	Crankshaft	FP-6151-35-1010		
QTY	MAIN BEARINGS	PART NO.	SIZE	DESCRIPTION
1	Main Bearing and Thrust Washer	FP-6150-21-8000		
7	Main Bearing, Flanged	FP-6150-21-8010	STD	
7	Main Bearing, Flanged	FP-6150-29-8010	.25MM	
7	Main Bearing, Flanged	FP-6150-28-8010	.50MM	
7	Main Bearing, Flanged	FP-6150-27-8010	.75MM	
7	Main Bearing, Flanged	FP-6150-26-8010	1.00MM	
1	Thrust Washer	FP-6150-21-8050	STD	
1	Thrust Washer	FP-6150-29-8050	.25MM	
1	Thrust Washer	FP-6150-28-8050	.50MM	
1	Thrust Washer	FP-6150-27-8050	.75MM	
1	Thrust Washer	FP-6150-26-8050	1.00MM	
QTY	OIL PUMP	PART NO.	SIZE	DESCRIPTION
1	Oil Pump	FP-6151-51-1005		
QTY	SEALS - FRONT CRANK	PART NO.	SIZE	DESCRIPTION
1	Oil Seal	FP-6150-21-3230		
QTY	SEALS - REAR CRANK	PART NO.	SIZE	DESCRIPTION
1	Oil Seal	FP-6151-21-4161		

(continued on next page)

11.0L 674 OHV L6, 4.9213" Bore 120
(cont.)

CYL. HEAD & PARTS				
QTY	GASKETS	PART NO.	SIZE	DESCRIPTION
6	Head Gasket	FP-6151-12-1810		
1	Head Gasket Set	FP-6154-K1-9900		
6	Valve Cover Gasket	FP-6150-11-8810		
QTY	PUSH RODS	PART NO.	SIZE	DESCRIPTION
12	Push Rod	FP-6150-41-3111		
QTY	VALVE	PART NO.	SIZE	DESCRIPTION
48	Valve Keeper	FP-6136-42-4520		Int. & Exh.
12	Valve, Exhaust	FP-6150-42-4210		
12	Valve, Intake	FP-6150-42-4110		
QTY	VALVE GUIDE	PART NO.	SIZE	DESCRIPTION
24	Valve Guide	FP-6150-12-1370		Int. & Exh.
QTY	VALVE SEAL	PART NO.	SIZE	DESCRIPTION
24	Valve Stem Seal	FP-6150-41-4570		
QTY	VALVE SEAT	PART NO.	SIZE	DESCRIPTION
12	Valve Seat	FP-6150-11-1320		Exh.
12	Valve Seat	FP-6151-11-1330		Int.
QTY	VALVE SPRING	PART NO.	SIZE	DESCRIPTION
24	Valve Spring	FP-6150-41-4450		Int. & Exh.
24	Valve Spring Seat	FP-6150-41-4430		Lower
24	Valve Spring Seat	FP-6150-41-4510		Upper
CYLINDER COMPONENTS				
QTY	CONNECTING RODS & BRGS.	PART NO.	SIZE	DESCRIPTION
6	Connecting Rod Bearing Pair	FP-6151-31-3040	STD	
6	Connecting Rod Bearing Pair	FP-6151-39-3040	.25MM	
6	Connecting Rod Bearing Pair	FP-6151-38-3040	.50MM	
6	Connecting Rod Bearing Pair	FP-6151-37-3040	.75MM	
6	Connecting Rod Bearing Pair	FP-6151-36-3040	1.00MM	
QTY	LINERS	PART NO.	SIZE	DESCRIPTION
6	Cylinder Kit Complete	FP-LK522510		
6	Liner w/o Sealing Ring	FP-6151-22-2220		
6	O-Ring	FP-6150-21-2230		
6	O-Ring	FP-6150-21-2240		
6	Sealing Ring, Liner	FP-6150-21-2250		
QTY	PISTON RINGS	PART NO.	SIZE	DESCRIPTION
6	Ring Set, Single Cylinder	FP-6150-32-2030		
QTY	PISTONS	PART NO.	SIZE	DESCRIPTION
6	Piston Body w/o Pin	FP-6152-32-2510		
6	Piston Pin	FP-6151-31-2410		
6	Piston Pin Bushing	FP-6150-31-3130		
12	Piston Pin Retainer	FP-04065-04818		
ENGINE BLOCK & PARTS				
QTY	CAM BEARINGS	PART NO.	SIZE	DESCRIPTION
7	Camshaft Bearing	FP-6150-21-1490		
QTY	GASKET SETS	PART NO.	SIZE	DESCRIPTION
1	Conversion Gasket Set	FP-6154-K2-9900		
QTY	GASKETS	PART NO.	SIZE	DESCRIPTION
1	Oil Pan Gasket	FP-6150-21-5812		
FUEL SYSTEM & PARTS				
QTY	FUEL INJECTION	PART NO.	SIZE	DESCRIPTION
6	Fuel Injector Sleeve	FP-6136-11-1130		
INT & EXH MANIFOLDS				
QTY	INT. & EXH. MANIFOLDS	PART NO.	SIZE	DESCRIPTION
6	Exhaust Manifold Gasket	FP-6150-11-5810		
6	Intake Manifold Gasket	FP-6150-13-4810		

121 11.0L 674 OHV L6, 4.9213" Bore

Dozer

S6D125E; Build Series 2C; Eng. Ser. No. 60863-Up; Model D85A-21B; Model Ser. No. 36537-Up
 S6D125E; Build Series 2C; Eng. Ser. No. 60863-Up; Model D85A-21E; Model Ser. No. 36537-Up

COOLING SYSTEM

QTY	THERMOSTAT	PART NO.	SIZE	DESCRIPTION
1	O-Ring	FP-6150-22-6490		
1	Thermostat	FP-600-421-6630		

QTY	WATER PUMP	PART NO.	SIZE	DESCRIPTION
1	Water Pump - Heavy Duty	FP-6151-62-1104		
1	Water Pump Gasket Kit	FP-6155-K6-9900		

CRANKSHAFT/OIL PUMP

QTY	CRANKSHAFT	PART NO.	SIZE	DESCRIPTION
1	Crankshaft	FP-6151-35-1010		

QTY	MAIN BEARINGS	PART NO.	SIZE	DESCRIPTION
1	Main Bearing and Thrust Washer	FP-6150-21-8000		
7	Main Bearing, Flanged	FP-6150-21-8010	STD	
7	Main Bearing, Flanged	FP-6150-29-8010	.25MM	
7	Main Bearing, Flanged	FP-6150-28-8010	.50MM	
7	Main Bearing, Flanged	FP-6150-27-8010	.75MM	
7	Main Bearing, Flanged	FP-6150-26-8010	1.00MM	
1	Thrust Washer	FP-6150-21-8050	STD	
1	Thrust Washer	FP-6150-29-8050	.25MM	
1	Thrust Washer	FP-6150-28-8050	.50MM	
1	Thrust Washer	FP-6150-27-8050	.75MM	
1	Thrust Washer	FP-6150-26-8050	1.00MM	

QTY	OIL PUMP	PART NO.	SIZE	DESCRIPTION
1	Oil Pump	FP-6151-51-1005		

QTY	SEALS - FRONT CRANK	PART NO.	SIZE	DESCRIPTION
1	Oil Seal	FP-6150-21-3230		

QTY	SEALS - REAR CRANK	PART NO.	SIZE	DESCRIPTION
1	Oil Seal	FP-6151-21-4161		

CYL. HEAD & PARTS

QTY	GASKETS	PART NO.	SIZE	DESCRIPTION
6	Head Gasket	FP-6151-12-1810		
1	Head Gasket Set	FP-6154-K1-9900		
6	Valve Cover Gasket	FP-6150-11-8810		

QTY	PUSH RODS	PART NO.	SIZE	DESCRIPTION
12	Push Rod	FP-6150-41-3111		

QTY	VALVE	PART NO.	SIZE	DESCRIPTION
48	Valve Keeper	FP-6136-42-4520		Int. & Exh.
12	Valve, Exhaust	FP-6150-42-4210		
12	Valve, Intake	FP-6150-42-4110		

QTY	VALVE GUIDE	PART NO.	SIZE	DESCRIPTION
24	Valve Guide	FP-6150-12-1370		Int. & Exh.

QTY	VALVE SEAL	PART NO.	SIZE	DESCRIPTION
24	Valve Stem Seal	FP-6150-41-4570		

QTY	VALVE SEAT	PART NO.	SIZE	DESCRIPTION
12	Valve Seat	FP-6150-11-1320		Exh.
12	Valve Seat	FP-6151-11-1330		Int.

QTY	VALVE SPRING	PART NO.	SIZE	DESCRIPTION
24	Valve Spring	FP-6150-41-4450		Int. & Exh.
24	Valve Spring Seat	FP-6150-41-4430		Lower
24	Valve Spring Seat	FP-6150-41-4510		Upper

CYLINDER COMPONENTS

QTY	CONNECTING RODS & BRGS.	PART NO.	SIZE	DESCRIPTION
6	Connecting Rod Bearing Pair	FP-6151-31-3040	STD	
6	Connecting Rod Bearing Pair	FP-6151-39-3040	.25MM	
6	Connecting Rod Bearing Pair	FP-6151-38-3040	.50MM	
6	Connecting Rod Bearing Pair	FP-6151-37-3040	.75MM	
6	Connecting Rod Bearing Pair	FP-6151-36-3040	1.00MM	

QTY	LINERS	PART NO.	SIZE	DESCRIPTION
6	Cylinder Kit Complete	FP-LK522510		
6	Liner w/o Sealing Ring	FP-6151-22-2220		

(continued on next page)

11.0L 674 OHV L6, 4.9213" Bore 121
(cont.)

CYLINDER COMPONENTS (cont.)

QTY	LINERS (cont.)	PART NO.	SIZE	DESCRIPTION
6	O-Ring	FP-6150-21-2230		
6	O-Ring	FP-6150-21-2240		
6	Sealing Ring, Liner	FP-6150-21-2250		
QTY	PISTON RINGS	PART NO.	SIZE	DESCRIPTION
6	Ring Set, Single Cylinder	FP-6150-32-2030		
QTY	PISTONS	PART NO.	SIZE	DESCRIPTION
6	Piston Body w/o Pin	FP-6152-32-2510		
6	Piston Pin	FP-6151-31-2410		
6	Piston Pin Bushing	FP-6150-31-3130		
12	Piston Pin Retainer	FP-04065-04818		

ENGINE BLOCK & PARTS

QTY	CAM BEARINGS	PART NO.	SIZE	DESCRIPTION
7	Camshaft Bearing	FP-6150-21-1490		
QTY	GASKET SETS	PART NO.	SIZE	DESCRIPTION
1	Conversion Gasket Set	FP-6154-K2-9900		
QTY	GASKETS	PART NO.	SIZE	DESCRIPTION
1	Oil Pan Gasket	FP-6150-21-5812		

INT & EXH MANIFOLDS

QTY	INT. & EXH. MANIFOLDS	PART NO.	SIZE	DESCRIPTION
6	Exhaust Manifold Gasket	FP-6150-11-5810		
6	Intake Manifold Gasket	FP-6150-13-4810		

11.0L 674 OHV L6, 4.9213" Bore 122
Dozer

SA6D125; Build Series 1Q; Eng. Ser. No. 28389-Up; Model D135A-1; Model Ser. No. 10001-Up

COOLING SYSTEM

QTY	THERMOSTAT	PART NO.	SIZE	DESCRIPTION
2	O-Ring	FP-6138-11-6810		
2	Thermostat	FP-600-421-6310		
QTY	WATER PUMP	PART NO.	SIZE	DESCRIPTION
1	Water Pump - Heavy Duty	FP-6151-61-1121		
1	Water Pump Gasket Kit	FP-6152-K6-1200		

CRANKSHAFT/OIL PUMP

QTY	CRANKSHAFT	PART NO.	SIZE	DESCRIPTION
1	Crankshaft	FP-6151-35-1010		
QTY	MAIN BEARINGS	PART NO.	SIZE	DESCRIPTION
1	Main Bearing and Thrust Washer	FP-6150-21-8000		
7	Main Bearing, Flanged	FP-6150-21-8010		STD
7	Main Bearing, Flanged	FP-6150-29-8010		.25MM
7	Main Bearing, Flanged	FP-6150-28-8010		.50MM
7	Main Bearing, Flanged	FP-6150-27-8010		.75MM
7	Main Bearing, Flanged	FP-6150-26-8010		1.00MM
1	Thrust Washer	FP-6150-21-8050		STD
1	Thrust Washer	FP-6150-29-8050		.25MM
1	Thrust Washer	FP-6150-28-8050		.50MM
1	Thrust Washer	FP-6150-27-8050		.75MM
1	Thrust Washer	FP-6150-26-8050		1.00MM
QTY	OIL PUMP	PART NO.	SIZE	DESCRIPTION
1	Oil Pump	FP-6151-51-1005		
QTY	SEALS - FRONT CRANK	PART NO.	SIZE	DESCRIPTION
1	Oil Seal	FP-6150-21-3230		
QTY	SEALS - REAR CRANK	PART NO.	SIZE	DESCRIPTION
1	Oil Seal	FP-6151-21-4161		

CYL. HEAD & PARTS

QTY	GASKETS	PART NO.	SIZE	DESCRIPTION
6	Head Gasket	FP-6150-17-1813		
1	Head Gasket Set	FP-6152-K1-9901		
6	Valve Cover Gasket	FP-6150-11-8810		
QTY	PUSH RODS	PART NO.	SIZE	DESCRIPTION
12	Push Rod	FP-6150-41-3111		

(continued on next page)

122 11.0L 674 OHV L6, 4.9213" Bore (cont.)

CYL. HEAD & PARTS (cont.)				
QTY	VALVE	PART NO.	SIZE	DESCRIPTION
48	Valve Keeper	FP-6136-42-4520		Int. & Exh.
12	Valve, Exhaust	FP-6150-41-4210		
12	Valve, Intake	FP-6150-41-4111		
QTY	VALVE GUIDE	PART NO.	SIZE	DESCRIPTION
12	Valve Guide	FP-6150-12-1341		Int.
12	Valve Guide	FP-6150-12-1351		Exh.
QTY	VALVE SEAL	PART NO.	SIZE	DESCRIPTION
12	Valve Stem Seal	FP-6140-41-4540		
QTY	VALVE SEAT	PART NO.	SIZE	DESCRIPTION
12	Valve Seat	FP-6150-11-1320		Exh.
12	Valve Seat	FP-6151-11-1330		Int.
QTY	VALVE SPRING	PART NO.	SIZE	DESCRIPTION
12	Valve Spring	FP-6150-41-4411		Exh.
12	Valve Spring	FP-6150-41-4420		Int.
24	Valve Spring Seat	FP-6150-41-4430		Lower
24	Valve Spring Seat	FP-6150-41-4510		Upper
CYLINDER COMPONENTS				
QTY	CONNECTING RODS & BRGS.	PART NO.	SIZE	DESCRIPTION
6	Connecting Rod Bearing Pair	FP-6151-31-3040		STD
6	Connecting Rod Bearing Pair	FP-6151-39-3040		.25MM
6	Connecting Rod Bearing Pair	FP-6151-38-3040		.50MM
6	Connecting Rod Bearing Pair	FP-6151-37-3040		.75MM
6	Connecting Rod Bearing Pair	FP-6151-36-3040		1.00MM
QTY	LINERS	PART NO.	SIZE	DESCRIPTION
6	Cylinder Kit Complete	FP-LK522113		
6	Liner w/o Sealing Ring	FP-6151-22-2220		
6	O-Ring	FP-6150-21-2230		
6	O-Ring	FP-6150-21-2240		
6	Sealing Ring, Liner	FP-6150-21-2250		
QTY	PISTON RINGS	PART NO.	SIZE	DESCRIPTION
6	Ring Set, Single Cylinder	FP-6150-31-2033		
QTY	PISTONS	PART NO.	SIZE	DESCRIPTION
6	Piston Body w/o Pin	FP-6152-31-2113		
6	Piston Pin	FP-6151-31-2410		
6	Piston Pin Bushing	FP-6150-31-3130		
12	Piston Pin Retainer	FP-04065-04818		
ENGINE BLOCK & PARTS				
QTY	CAM BEARINGS	PART NO.	SIZE	DESCRIPTION
7	Camshaft Bearing	FP-6150-21-1490		
QTY	GASKET SETS	PART NO.	SIZE	DESCRIPTION
1	Conversion Gasket Set	FP-6152-K2-9901		
QTY	GASKETS	PART NO.	SIZE	DESCRIPTION
1	Oil Pan Gasket	FP-6150-21-5812		
FUEL SYSTEM & PARTS				
QTY	FUEL INJECTION	PART NO.	SIZE	DESCRIPTION
6	Fuel Injector Sleeve	FP-6136-11-1130		
INT & EXH MANIFOLDS				
QTY	INT. & EXH. MANIFOLDS	PART NO.	SIZE	DESCRIPTION
6	Exhaust Manifold Gasket	FP-6150-11-5810		
6	Intake Manifold Gasket	FP-6150-13-4810		

11.0L 674 OHV L6, 4.9213" Bore 123

Dozer

SA6D125E; Build Series 3A; Eng. Ser. No. 310314-Up; Model D65EX-12-E; Model Ser. No. 60942-Up
 SA6D125E; Build Series 3A; Eng. Ser. No. 310314-Up; Model D65P-12-E; Model Ser. No. 60884-Up
 SA6D125E; Build Series 3A; Eng. Ser. No. 310314-Up; Model D65PX-12-E; Model Ser. No. 60884-Up
 SA6D125E; Build Series 3B-7; Eng. Ser. No. 310001-Up; Model D85EX-15; Model Ser. No. 10001-Up

COOLING SYSTEM

QTY	THERMOSTAT	PART NO.	SIZE	DESCRIPTION
1	O-Ring	FP-6150-22-6490		
1	Thermostat	FP-600-421-6630		
QTY	WATER PUMP	PART NO.	SIZE	DESCRIPTION
1	Water Pump - Heavy Duty	FP-6154-61-1102		
1	Water Pump Gasket Kit	FP-6159-K6-9900		

CRANKSHAFT/OIL PUMP

QTY	CRANKSHAFT	PART NO.	SIZE	DESCRIPTION
1	Crankshaft	FP-6151-35-1010		
QTY	MAIN BEARINGS	PART NO.	SIZE	DESCRIPTION
1	Main Bearing and Thrust Washer	FP-6150-21-8000		
7	Main Bearing, Flanged	FP-6150-21-8010	STD	
7	Main Bearing, Flanged	FP-6150-29-8010	.25MM	
7	Main Bearing, Flanged	FP-6150-28-8010	.50MM	
7	Main Bearing, Flanged	FP-6150-27-8010	.75MM	
7	Main Bearing, Flanged	FP-6150-26-8010	1.00MM	
1	Thrust Washer	FP-6150-21-8050	STD	
1	Thrust Washer	FP-6150-29-8050	.25MM	
1	Thrust Washer	FP-6150-28-8050	.50MM	
1	Thrust Washer	FP-6150-27-8050	.75MM	
1	Thrust Washer	FP-6150-26-8050	1.00MM	
QTY	OIL PUMP	PART NO.	SIZE	DESCRIPTION
1	Oil Pump	FP-6154-51-1000		
QTY	SEALS - FRONT CRANK	PART NO.	SIZE	DESCRIPTION
1	Oil Seal	FP-6150-21-3230		
QTY	SEALS - REAR CRANK	PART NO.	SIZE	DESCRIPTION
1	Oil Seal	FP-6151-21-4161		

CYL. HEAD & PARTS

QTY	GASKETS	PART NO.	SIZE	DESCRIPTION
6	Head Gasket	FP-6151-12-1810		
1	Head Gasket Set	FP-6159-K1-9900		
6	Valve Cover Gasket	FP-6150-11-8810		
QTY	PUSH RODS	PART NO.	SIZE	DESCRIPTION
12	Push Rod	FP-6150-41-3111		
QTY	VALVE	PART NO.	SIZE	DESCRIPTION
48	Valve Keeper	FP-6136-42-4520		Int. & Exh.
12	Valve, Exhaust	FP-6150-42-4210		
12	Valve, Intake	FP-6150-42-4110		
QTY	VALVE GUIDE	PART NO.	SIZE	DESCRIPTION
24	Valve Guide	FP-6150-12-1370		Int. & Exh.
QTY	VALVE SEAL	PART NO.	SIZE	DESCRIPTION
24	Valve Stem Seal	FP-6150-41-4570		
QTY	VALVE SEAT	PART NO.	SIZE	DESCRIPTION
12	Valve Seat	FP-6150-11-1320		Exh.
12	Valve Seat	FP-6150-12-1380		Int.
QTY	VALVE SPRING	PART NO.	SIZE	DESCRIPTION
24	Valve Spring	FP-6150-41-4450		Int. & Exh.
24	Valve Spring Seat	FP-6150-41-4430		Lower
24	Valve Spring Seat	FP-6150-41-4510		Upper

CYLINDER COMPONENTS

QTY	CONNECTING RODS & BRGS.	PART NO.	SIZE	DESCRIPTION
6	Connecting Rod Bearing Pair	FP-6151-31-3040	STD	
6	Connecting Rod Bearing Pair	FP-6151-39-3040	.25MM	
6	Connecting Rod Bearing Pair	FP-6151-38-3040	.50MM	
6	Connecting Rod Bearing Pair	FP-6151-37-3040	.75MM	
6	Connecting Rod Bearing Pair	FP-6151-36-3040	1.00MM	

(continued on next page)

123 11.0L 674 OHV L6, 4.9213" Bore (cont.)

CYLINDER COMPONENTS (cont.)

QTY	LINERS	PART NO.	SIZE	DESCRIPTION
6	Cylinder Kit Complete	FP-LK522510		
6	Liner w/o Sealing Ring	FP-6154-21-2220		
6	O-Ring	FP-6150-21-2230		
6	O-Ring	FP-6150-21-2240		
6	Sealing Ring, Liner	FP-6150-21-2250		
QTY	PISTON RINGS	PART NO.	SIZE	DESCRIPTION
6	Ring Set, Single Cylinder	FP-6150-32-2030		
QTY	PISTONS	PART NO.	SIZE	DESCRIPTION
6	Piston Body w/o Pin	FP-6152-32-2510		
6	Piston Pin	FP-6151-31-2410		
6	Piston Pin Bushing	FP-6150-31-3130		
12	Piston Pin Retainer	FP-04065-04818		

ENGINE BLOCK & PARTS

QTY	CAM BEARINGS	PART NO.	SIZE	DESCRIPTION
7	Camshaft Bearing	FP-6150-21-1490		
QTY	GASKET SETS	PART NO.	SIZE	DESCRIPTION
1	Conversion Gasket Set	FP-6159-K2-9900		
QTY	GASKETS	PART NO.	SIZE	DESCRIPTION
1	Oil Pan Gasket	FP-6150-21-5812		

FUEL SYSTEM & PARTS

QTY	FUEL INJECTION	PART NO.	SIZE	DESCRIPTION
6	Fuel Injector Sleeve	FP-6136-11-1130		

INT & EXH MANIFOLDS

QTY	INT. & EXH. MANIFOLDS	PART NO.	SIZE	DESCRIPTION
6	Exhaust Manifold Gasket	FP-6150-11-5810		
6	Intake Manifold Gasket	FP-6150-13-4810		

124 11.0L 674 OHV L6, 4.9213" Bore

Dumper Tractor

S6D125; Build Series 1R; Eng. Ser. No. 16790-Up; Model HD205-3; Model Ser. No. 1003-Up

COOLING SYSTEM

QTY	THERMOSTAT	PART NO.	SIZE	DESCRIPTION
1	O-Ring	FP-6138-11-6810		
1	Thermostat	FP-600-421-6310		
QTY	WATER PUMP	PART NO.	SIZE	DESCRIPTION
1	Water Pump Gasket Kit	FP-6151-K6-9902		

CRANKSHAFT/OIL PUMP

QTY	CRANKSHAFT	PART NO.	SIZE	DESCRIPTION
1	Crankshaft	FP-6151-35-1010		
QTY	MAIN BEARINGS	PART NO.	SIZE	DESCRIPTION
1	Main Bearing and Thrust Washer	FP-6150-21-8000		
7	Main Bearing, Flanged	FP-6150-21-8010	STD	
7	Main Bearing, Flanged	FP-6150-29-8010	.25MM	
7	Main Bearing, Flanged	FP-6150-28-8010	.50MM	
7	Main Bearing, Flanged	FP-6150-27-8010	.75MM	
7	Main Bearing, Flanged	FP-6150-26-8010	1.00MM	
1	Thrust Washer	FP-6150-21-8050	STD	
1	Thrust Washer	FP-6150-29-8050	.25MM	
1	Thrust Washer	FP-6150-28-8050	.50MM	
1	Thrust Washer	FP-6150-27-8050	.75MM	
1	Thrust Washer	FP-6150-26-8050	1.00MM	
QTY	OIL PUMP	PART NO.	SIZE	DESCRIPTION
1	Oil Pump	FP-6151-51-1005		
QTY	SEALS - FRONT CRANK	PART NO.	SIZE	DESCRIPTION
1	Oil Seal	FP-6150-21-3230		
QTY	SEALS - REAR CRANK	PART NO.	SIZE	DESCRIPTION
1	Oil Seal	FP-6151-21-4161		

(continued on next page)

11.0L 674 OHV L6, 4.9213" Bore **124**
(cont.)

CYL. HEAD & PARTS

QTY	GASKETS	PART NO.	SIZE	DESCRIPTION
6	Head Gasket	FP-6150-17-1813		
1	Head Gasket Set	FP-6151-K1-9901		
6	Valve Cover Gasket	FP-6150-11-8810		
QTY	PUSH RODS	PART NO.	SIZE	DESCRIPTION
12	Push Rod	FP-6150-41-3111		
QTY	VALVE	PART NO.	SIZE	DESCRIPTION
48	Valve Keeper	FP-6136-42-4520		Int. & Exh.
12	Valve, Exhaust	FP-6150-41-4210		
12	Valve, Intake	FP-6150-41-4111		
QTY	VALVE GUIDE	PART NO.	SIZE	DESCRIPTION
12	Valve Guide	FP-6150-12-1341		Int.
12	Valve Guide	FP-6150-12-1351		Exh.
QTY	VALVE SEAL	PART NO.	SIZE	DESCRIPTION
12	Valve Stem Seal	FP-6140-41-4540		
QTY	VALVE SEAT	PART NO.	SIZE	DESCRIPTION
12	Valve Seat	FP-6150-11-1320		Exh.
12	Valve Seat	FP-6151-11-1330		Int.
QTY	VALVE SPRING	PART NO.	SIZE	DESCRIPTION
12	Valve Spring	FP-6150-41-4411		Exh.
12	Valve Spring	FP-6150-41-4420		Int.
24	Valve Spring Seat	FP-6150-41-4430		Lower
24	Valve Spring Seat	FP-6150-41-4510		Upper

CYLINDER COMPONENTS

QTY	CONNECTING RODS & BRGS.	PART NO.	SIZE	DESCRIPTION
6	Connecting Rod Bearing Pair	FP-6151-31-3040	STD	
6	Connecting Rod Bearing Pair	FP-6151-39-3040	.25MM	
6	Connecting Rod Bearing Pair	FP-6151-38-3040	.50MM	
6	Connecting Rod Bearing Pair	FP-6151-37-3040	.75MM	
6	Connecting Rod Bearing Pair	FP-6151-36-3040	1.00MM	
QTY	LINERS	PART NO.	SIZE	DESCRIPTION
6	Cylinder Kit Complete	FP-LK512710		
6	Liner w/o Sealing Ring	FP-6151-22-2220		
6	O-Ring	FP-6150-21-2230		
6	O-Ring	FP-6150-21-2240		
6	Sealing Ring, Liner	FP-6150-21-2250		
QTY	PISTON RINGS	PART NO.	SIZE	DESCRIPTION
6	Ring Set, Single Cylinder	FP-6150-31-2033		
QTY	PISTONS	PART NO.	SIZE	DESCRIPTION
6	Piston Body w/o Pin	FP-6151-31-2710		
6	Piston Kit w/Pin & Retainers	FP-6151-31-2012		
6	Piston Pin	FP-6151-31-2410		
6	Piston Pin Bushing	FP-6150-31-3130		
12	Piston Pin Retainer	FP-04065-04818		

ENGINE BLOCK & PARTS

QTY	CAM BEARINGS	PART NO.	SIZE	DESCRIPTION
7	Camshaft Bearing	FP-6150-21-1490		
QTY	GASKET SETS	PART NO.	SIZE	DESCRIPTION
1	Conversion Gasket Set	FP-6151-K2-9901		
QTY	GASKETS	PART NO.	SIZE	DESCRIPTION
1	Oil Pan Gasket	FP-6150-21-5812		

FUEL SYSTEM & PARTS

QTY	FUEL INJECTION	PART NO.	SIZE	DESCRIPTION
6	Fuel Injector Sleeve	FP-6136-11-1130		

INT & EXH MANIFOLDS

QTY	INT. & EXH. MANIFOLDS	PART NO.	SIZE	DESCRIPTION
6	Exhaust Manifold Gasket	FP-6150-11-5810		
6	Intake Manifold Gasket	FP-6150-13-4810		

125 11.0L 674 OHV L6, 4.9213" Bore

Dumper Tractor

S6D125; Build Series 1B8; Eng. Ser. No. 22230-Up; Model HA250-1; Model Ser. No. 60636-Up
 S6D125; Build Series 1B8; Eng. Ser. No. 22230-Up; Model HA250-3; Model Ser. No. 303001-Up
 S6D125; Build Series 1B8; Eng. Ser. No. 22230-Up; Model HA270-1; Model Ser. No. 65226-Up
 S6D125; Build Series 1B8; Eng. Ser. No. 22230-Up; Model HA270-3; Model Ser. No. 313001-Up

COOLING SYSTEM

QTY	THERMOSTAT	PART NO.	SIZE	DESCRIPTION
1	O-Ring	FP-6138-11-6810		
1	Thermostat	FP-600-421-6310		
QTY	WATER PUMP	PART NO.	SIZE	DESCRIPTION
1	Water Pump Gasket Kit	FP-6151-K6-9902		

CRANKSHAFT/OIL PUMP

QTY	CRANKSHAFT	PART NO.	SIZE	DESCRIPTION
1	Crankshaft	FP-6151-35-1010		
QTY	MAIN BEARINGS	PART NO.	SIZE	DESCRIPTION
1	Main Bearing and Thrust Washer	FP-6150-21-8000		
7	Main Bearing, Flanged	FP-6150-21-8010	STD	
7	Main Bearing, Flanged	FP-6150-29-8010	.25MM	
7	Main Bearing, Flanged	FP-6150-28-8010	.50MM	
7	Main Bearing, Flanged	FP-6150-27-8010	.75MM	
7	Main Bearing, Flanged	FP-6150-26-8010	1.00MM	
1	Thrust Washer	FP-6150-21-8050	STD	
1	Thrust Washer	FP-6150-29-8050	.25MM	
1	Thrust Washer	FP-6150-28-8050	.50MM	
1	Thrust Washer	FP-6150-27-8050	.75MM	
1	Thrust Washer	FP-6150-26-8050	1.00MM	
QTY	OIL PUMP	PART NO.	SIZE	DESCRIPTION
1	Oil Pump	FP-6151-51-1005		
QTY	SEALS - FRONT CRANK	PART NO.	SIZE	DESCRIPTION
1	Oil Seal	FP-6150-21-3230		
QTY	SEALS - REAR CRANK	PART NO.	SIZE	DESCRIPTION
1	Oil Seal	FP-6151-21-4161		

CYL. HEAD & PARTS

QTY	GASKETS	PART NO.	SIZE	DESCRIPTION
6	Head Gasket	FP-6150-17-1813		
1	Head Gasket Set	FP-6151-K1-9901		
6	Valve Cover Gasket	FP-6150-11-8810		
QTY	PUSH RODS	PART NO.	SIZE	DESCRIPTION
12	Push Rod	FP-6150-41-3111		
QTY	VALVE	PART NO.	SIZE	DESCRIPTION
48	Valve Keeper	FP-6136-42-4520		Int. & Exh.
12	Valve, Exhaust	FP-6150-41-4230		
12	Valve, Intake	FP-6150-41-4111		
QTY	VALVE GUIDE	PART NO.	SIZE	DESCRIPTION
12	Valve Guide	FP-6150-12-1341		Int.
12	Valve Guide	FP-6150-12-1351		Exh.
QTY	VALVE SEAL	PART NO.	SIZE	DESCRIPTION
12	Valve Stem Seal	FP-6140-41-4540		
QTY	VALVE SEAT	PART NO.	SIZE	DESCRIPTION
12	Valve Seat	FP-6150-11-1320		Exh.
12	Valve Seat	FP-6151-11-1330		Int.
QTY	VALVE SPRING	PART NO.	SIZE	DESCRIPTION
12	Valve Spring	FP-6150-41-4420		Int.
12	Valve Spring	FP-6150-41-4450		
12	Valve Spring	FP-6150-41-4450		Exh.
24	Valve Spring Seat	FP-6150-41-4430		Lower
24	Valve Spring Seat	FP-6150-41-4510		Upper

CYLINDER COMPONENTS

QTY	CONNECTING RODS & BRGS.	PART NO.	SIZE	DESCRIPTION
6	Connecting Rod Bearing Pair	FP-6151-31-3040	STD	
6	Connecting Rod Bearing Pair	FP-6151-39-3040	.25MM	
6	Connecting Rod Bearing Pair	FP-6151-38-3040	.50MM	
6	Connecting Rod Bearing Pair	FP-6151-37-3040	.75MM	

(continued on next page)

11.0L 674 OHV L6, 4.9213" Bore 125
(cont.)

CYLINDER COMPONENTS (cont.)

QTY	CONNECTING RODS & BRGS. (cont.)	PART NO.	SIZE	DESCRIPTION
6	Connecting Rod Bearing Pair	FP-6151-36-3040	1.00MM	
QTY	LINERS	PART NO.	SIZE	DESCRIPTION
6	Cylinder Kit Complete	FP-LK512710		
6	Liner w/o Sealing Ring	FP-6151-22-2220		
6	O-Ring	FP-6150-21-2230		
6	O-Ring	FP-6150-21-2240		
6	Sealing Ring, Liner	FP-6150-21-2250		
QTY	PISTON RINGS	PART NO.	SIZE	DESCRIPTION
6	Ring Set, Single Cylinder	FP-6150-31-2033		
QTY	PISTONS	PART NO.	SIZE	DESCRIPTION
6	Piston Body w/o Pin	FP-6151-31-2710		
6	Piston Kit w/Pin & Retainers	FP-6151-31-2012		
6	Piston Pin	FP-6151-31-2410		
6	Piston Pin Bushing	FP-6150-31-3130		
12	Piston Pin Retainer	FP-04065-04818		

ENGINE BLOCK & PARTS

QTY	CAM BEARINGS	PART NO.	SIZE	DESCRIPTION
7	Camshaft Bearing	FP-6150-21-1490		
QTY	GASKET SETS	PART NO.	SIZE	DESCRIPTION
1	Conversion Gasket Set	FP-6151-K2-9901		
QTY	GASKETS	PART NO.	SIZE	DESCRIPTION
1	Oil Pan Gasket	FP-6150-21-5812		

FUEL SYSTEM & PARTS

QTY	FUEL INJECTION	PART NO.	SIZE	DESCRIPTION
6	Fuel Injector Sleeve	FP-6136-11-1130		

INT & EXH MANIFOLDS

QTY	INT. & EXH. MANIFOLDS	PART NO.	SIZE	DESCRIPTION
6	Exhaust Manifold Gasket	FP-6150-11-5810		
6	Intake Manifold Gasket	FP-6150-13-4810		

11.0L 674 OHV L6, 4.9213" Bore 126
Dumper Tractor

SA6D125E; Build Series 2G; Eng. Ser. No. 60721-Up; Model HD255-5; Model Ser. No. 1001-Up

COOLING SYSTEM

QTY	THERMOSTAT	PART NO.	SIZE	DESCRIPTION
1	O-Ring	FP-6150-22-6490		
1	Thermostat	FP-600-421-6630		
QTY	WATER PUMP	PART NO.	SIZE	DESCRIPTION
1	Water Pump - Heavy Duty	FP-6151-62-1104		
1	Water Pump Gasket Kit	FP-6155-K6-9900		

CRANKSHAFT/OIL PUMP

QTY	CRANKSHAFT	PART NO.	SIZE	DESCRIPTION
1	Crankshaft	FP-6151-35-1010		
QTY	MAIN BEARINGS	PART NO.	SIZE	DESCRIPTION
1	Main Bearing and Thrust Washer	FP-6150-21-8000		
7	Main Bearing, Flanged	FP-6150-21-8010	STD	
7	Main Bearing, Flanged	FP-6150-29-8010	.25MM	
7	Main Bearing, Flanged	FP-6150-28-8010	.50MM	
7	Main Bearing, Flanged	FP-6150-27-8010	.75MM	
7	Main Bearing, Flanged	FP-6150-26-8010	1.00MM	
1	Thrust Washer	FP-6150-21-8050	STD	
1	Thrust Washer	FP-6150-29-8050	.25MM	
1	Thrust Washer	FP-6150-28-8050	.50MM	
1	Thrust Washer	FP-6150-27-8050	.75MM	
1	Thrust Washer	FP-6150-26-8050	1.00MM	
QTY	OIL PUMP	PART NO.	SIZE	DESCRIPTION
1	Oil Pump	FP-6151-51-1005		
QTY	SEALS - FRONT CRANK	PART NO.	SIZE	DESCRIPTION
1	Oil Seal	FP-6150-21-3230		

(continued on next page)

126 11.0L 674 OHV L6, 4.9213" Bore (cont.)

CRANKSHAFT/OIL PUMP (cont.)				
QTY	SEALS - REAR CRANK	PART NO.	SIZE	DESCRIPTION
1	Oil Seal	FP-6151-21-4161		
CYL. HEAD & PARTS				
QTY	GASKETS	PART NO.	SIZE	DESCRIPTION
6	Head Gasket	FP-6151-12-1810		
1	Head Gasket Set	FP-6155-K1-9900		
6	Valve Cover Gasket	FP-6150-11-8810		
QTY	PUSH RODS	PART NO.	SIZE	DESCRIPTION
12	Push Rod	FP-6150-41-3111		
QTY	VALVE	PART NO.	SIZE	DESCRIPTION
48	Valve Keeper	FP-6136-42-4520		Int. & Exh.
12	Valve, Exhaust	FP-6150-42-4210		
12	Valve, Intake	FP-6150-42-4110		
QTY	VALVE GUIDE	PART NO.	SIZE	DESCRIPTION
24	Valve Guide	FP-6150-12-1370		Int. & Exh.
QTY	VALVE SEAL	PART NO.	SIZE	DESCRIPTION
24	Valve Stem Seal	FP-6150-41-4570		
QTY	VALVE SEAT	PART NO.	SIZE	DESCRIPTION
12	Valve Seat	FP-6150-11-1320		Exh.
12	Valve Seat	FP-6151-11-1330		Int.
QTY	VALVE SPRING	PART NO.	SIZE	DESCRIPTION
24	Valve Spring	FP-6150-41-4450		Int. & Exh.
24	Valve Spring Seat	FP-6150-41-4430		Lower
24	Valve Spring Seat	FP-6150-41-4510		Upper
CYLINDER COMPONENTS				
QTY	CONNECTING RODS & BRGS.	PART NO.	SIZE	DESCRIPTION
6	Connecting Rod Bearing Pair	FP-6151-31-3040		STD
6	Connecting Rod Bearing Pair	FP-6151-39-3040		.25MM
6	Connecting Rod Bearing Pair	FP-6151-38-3040		.50MM
6	Connecting Rod Bearing Pair	FP-6151-37-3040		.75MM
6	Connecting Rod Bearing Pair	FP-6151-36-3040		1.00MM
QTY	LINERS	PART NO.	SIZE	DESCRIPTION
6	Cylinder Kit Complete	FP-LK522510		
6	Liner w/o Sealing Ring	FP-6151-22-2220		
6	O-Ring	FP-6150-21-2230		
6	O-Ring	FP-6150-21-2240		
6	Sealing Ring, Liner	FP-6150-21-2250		
QTY	PISTON RINGS	PART NO.	SIZE	DESCRIPTION
6	Ring Set, Single Cylinder	FP-6150-32-2030		
QTY	PISTONS	PART NO.	SIZE	DESCRIPTION
6	Piston Body w/o Pin	FP-6152-32-2510		
6	Piston Pin	FP-6151-31-2410		
6	Piston Pin Bushing	FP-6150-31-3130		
12	Piston Pin Retainer	FP-04065-04818		
ENGINE BLOCK & PARTS				
QTY	CAM BEARINGS	PART NO.	SIZE	DESCRIPTION
7	Camshaft Bearing	FP-6150-21-1490		
QTY	GASKET SETS	PART NO.	SIZE	DESCRIPTION
1	Conversion Gasket Set	FP-6155-K2-9900		
QTY	GASKETS	PART NO.	SIZE	DESCRIPTION
1	Oil Pan Gasket	FP-6150-21-5812		
FUEL SYSTEM & PARTS				
QTY	FUEL INJECTION	PART NO.	SIZE	DESCRIPTION
6	Fuel Injector Sleeve	FP-6136-11-1130		
INT & EXH MANIFOLDS				
QTY	INT. & EXH. MANIFOLDS	PART NO.	SIZE	DESCRIPTION
6	Exhaust Manifold Gasket	FP-6150-11-5810		
6	Intake Manifold Gasket	FP-6150-13-4810		

11.0L 674 OHV L6, 4.9213" Bore 127

Dumper Tractor

SAA6D125E; Build Series 3G-8W; Eng. Ser. No. 310001-Up; Model HM300-1; Model Ser. No. 1001-Up

COOLING SYSTEM

QTY	THERMOSTAT	PART NO.	SIZE	DESCRIPTION
1	O-Ring	FP-6150-22-6490		
1	Thermostat	FP-600-421-6630		
QTY	WATER PUMP	PART NO.	SIZE	DESCRIPTION
1	Water Pump - Heavy Duty	FP-6154-61-1102		
1	Water Pump Gasket Kit	FP-6159-K6-9900		

CRANKSHAFT/OIL PUMP

QTY	CRANKSHAFT	PART NO.	SIZE	DESCRIPTION
1	Crankshaft	FP-6151-35-1010		
QTY	MAIN BEARINGS	PART NO.	SIZE	DESCRIPTION
1	Main Bearing and Thrust Washer	FP-6150-21-8000		
7	Main Bearing, Flanged	FP-6150-21-8010	STD	
7	Main Bearing, Flanged	FP-6150-29-8010	.25MM	
7	Main Bearing, Flanged	FP-6150-28-8010	.50MM	
7	Main Bearing, Flanged	FP-6150-27-8010	.75MM	
7	Main Bearing, Flanged	FP-6150-26-8010	1.00MM	
1	Thrust Washer	FP-6150-21-8050	STD	
1	Thrust Washer	FP-6150-29-8050	.25MM	
1	Thrust Washer	FP-6150-28-8050	.50MM	
1	Thrust Washer	FP-6150-27-8050	.75MM	
1	Thrust Washer	FP-6150-26-8050	1.00MM	
QTY	OIL PUMP	PART NO.	SIZE	DESCRIPTION
1	Oil Pump	FP-6154-51-1000		
QTY	SEALS - FRONT CRANK	PART NO.	SIZE	DESCRIPTION
1	Oil Seal	FP-6150-21-3230		
QTY	SEALS - REAR CRANK	PART NO.	SIZE	DESCRIPTION
1	Oil Seal	FP-6151-21-4161		

CYL. HEAD & PARTS

QTY	GASKETS	PART NO.	SIZE	DESCRIPTION
6	Head Gasket	FP-6151-12-1810		
1	Head Gasket Set	FP-6159-K1-9900		
6	Valve Cover Gasket	FP-6150-11-8810		
QTY	PUSH RODS	PART NO.	SIZE	DESCRIPTION
12	Push Rod	FP-6150-41-3111		
QTY	VALVE	PART NO.	SIZE	DESCRIPTION
48	Valve Keeper	FP-6136-42-4520		Int. & Exh.
12	Valve, Exhaust	FP-6150-42-4210		
12	Valve, Intake	FP-6150-42-4110		
QTY	VALVE GUIDE	PART NO.	SIZE	DESCRIPTION
24	Valve Guide	FP-6150-12-1370		Int. & Exh.
QTY	VALVE SEAL	PART NO.	SIZE	DESCRIPTION
24	Valve Stem Seal	FP-6150-41-4570		
QTY	VALVE SEAT	PART NO.	SIZE	DESCRIPTION
12	Valve Seat	FP-6150-11-1320		Exh.
12	Valve Seat	FP-6150-12-1380		Int.
QTY	VALVE SPRING	PART NO.	SIZE	DESCRIPTION
24	Valve Spring	FP-6150-41-4450		Int. & Exh.
24	Valve Spring Seat	FP-6150-41-4430		Lower
24	Valve Spring Seat	FP-6150-41-4510		Upper

CYLINDER COMPONENTS

QTY	CONNECTING RODS & BRGS.	PART NO.	SIZE	DESCRIPTION
6	Connecting Rod Bearing Pair	FP-6151-31-3040	STD	
6	Connecting Rod Bearing Pair	FP-6151-39-3040	.25MM	
6	Connecting Rod Bearing Pair	FP-6151-38-3040	.50MM	
6	Connecting Rod Bearing Pair	FP-6151-37-3040	.75MM	
6	Connecting Rod Bearing Pair	FP-6151-36-3040	1.00MM	
QTY	LINERS	PART NO.	SIZE	DESCRIPTION
6	Cylinder Kit Complete	FP-LK522510		
6	Liner w/o Sealing Ring	FP-6154-21-2220		
6	O-Ring	FP-6150-21-2230		
6	O-Ring	FP-6150-21-2240		

(continued on next page)

127 11.0L 674 OHV L6, 4.9213" Bore (cont.)

CYLINDER COMPONENTS (cont.)

QTY	LINERS (cont.)	PART NO.	SIZE	DESCRIPTION
6	Sealing Ring, Liner	FP-6150-21-2250		
QTY	PISTON RINGS	PART NO.	SIZE	DESCRIPTION
6	Ring Set, Single Cylinder	FP-6150-32-2030		
QTY	PISTONS	PART NO.	SIZE	DESCRIPTION
6	Piston Body w/o Pin	FP-6152-32-2510		
6	Piston Pin	FP-6151-31-2410		
6	Piston Pin Bushing	FP-6150-31-3130		
12	Piston Pin Retainer	FP-04065-04818		

ENGINE BLOCK & PARTS

QTY	CAM BEARINGS	PART NO.	SIZE	DESCRIPTION
7	Camshaft Bearing	FP-6150-21-1490		
QTY	GASKET SETS	PART NO.	SIZE	DESCRIPTION
1	Conversion Gasket Set	FP-6159-K2-9900		
QTY	GASKETS	PART NO.	SIZE	DESCRIPTION
1	Oil Pan Gasket	FP-6150-21-5812		

FUEL SYSTEM & PARTS

QTY	FUEL INJECTION	PART NO.	SIZE	DESCRIPTION
6	Fuel Injector Sleeve	FP-6136-11-1130		

INT & EXH MANIFOLDS

QTY	INT. & EXH. MANIFOLDS	PART NO.	SIZE	DESCRIPTION
6	Exhaust Manifold Gasket	FP-6150-11-5810		
6	Intake Manifold Gasket	FP-6150-13-4810		

128 11.0L 674 OHV L6, 4.9213" Bore

Excavator

6D125E; Build Series 2; Eng. Ser. No. 10001-Up; Model PW400MH-6; Model Ser. No. A84210-Up

COOLING SYSTEM

QTY	THERMOSTAT	PART NO.	SIZE	DESCRIPTION
1	O-Ring	FP-6150-22-6490		
1	Thermostat	FP-600-421-6630		
QTY	WATER PUMP	PART NO.	SIZE	DESCRIPTION
1	Water Pump - Heavy Duty	FP-6151-62-1104		
1	Water Pump Gasket Kit	FP-6155-K6-9900		

CRANKSHAFT/OIL PUMP

QTY	CRANKSHAFT	PART NO.	SIZE	DESCRIPTION
1	Crankshaft	FP-6151-35-1010		
QTY	MAIN BEARINGS	PART NO.	SIZE	DESCRIPTION
1	Main Bearing and Thrust Washer	FP-6150-21-8000		
7	Main Bearing, Flanged	FP-6150-21-8010	STD	
7	Main Bearing, Flanged	FP-6150-29-8010	.25MM	
7	Main Bearing, Flanged	FP-6150-28-8010	.50MM	
7	Main Bearing, Flanged	FP-6150-27-8010	.75MM	
7	Main Bearing, Flanged	FP-6150-26-8010	1.00MM	
1	Thrust Washer	FP-6150-21-8050	STD	
1	Thrust Washer	FP-6150-29-8050	.25MM	
1	Thrust Washer	FP-6150-28-8050	.50MM	
1	Thrust Washer	FP-6150-27-8050	.75MM	
1	Thrust Washer	FP-6150-26-8050	1.00MM	
QTY	OIL PUMP	PART NO.	SIZE	DESCRIPTION
1	Oil Pump	FP-6151-51-1005		
QTY	SEALS - FRONT CRANK	PART NO.	SIZE	DESCRIPTION
1	Oil Seal	FP-6150-21-3230		
QTY	SEALS - REAR CRANK	PART NO.	SIZE	DESCRIPTION
1	Oil Seal	FP-6151-21-4161		

CYL. HEAD & PARTS

QTY	GASKETS	PART NO.	SIZE	DESCRIPTION
6	Head Gasket	FP-6151-12-1810		
1	Head Gasket Set	FP-6154-K1-9900		
6	Valve Cover Gasket	FP-6150-11-8810		

(continued on next page)

11.0L 674 OHV L6, 4.9213" Bore 128
(cont.)

CYL. HEAD & PARTS (cont.)

QTY	PUSH RODS	PART NO.	SIZE	DESCRIPTION
12	Push Rod	FP-6150-41-3111		
QTY	VALVE	PART NO.	SIZE	DESCRIPTION
48	Valve Keeper	FP-6136-42-4520		Int. & Exh.
12	Valve, Exhaust	FP-6150-42-4210		
12	Valve, Intake	FP-6150-42-4110		
QTY	VALVE GUIDE	PART NO.	SIZE	DESCRIPTION
24	Valve Guide	FP-6150-12-1370		Int. & Exh.
QTY	VALVE SEAL	PART NO.	SIZE	DESCRIPTION
24	Valve Stem Seal	FP-6150-41-4570		
QTY	VALVE SEAT	PART NO.	SIZE	DESCRIPTION
12	Valve Seat	FP-6150-11-1320		Exh.
12	Valve Seat	FP-6151-11-1330		Int.
QTY	VALVE SPRING	PART NO.	SIZE	DESCRIPTION
24	Valve Spring	FP-6150-41-4450		Int. & Exh.
24	Valve Spring Seat	FP-6150-41-4430		Lower
24	Valve Spring Seat	FP-6150-41-4510		Upper

CYLINDER COMPONENTS

QTY	CONNECTING RODS & BRGS.	PART NO.	SIZE	DESCRIPTION
6	Connecting Rod Bearing Pair	FP-6151-31-3040	STD	
6	Connecting Rod Bearing Pair	FP-6151-39-3040	.25MM	
6	Connecting Rod Bearing Pair	FP-6151-38-3040	.50MM	
6	Connecting Rod Bearing Pair	FP-6151-37-3040	.75MM	
6	Connecting Rod Bearing Pair	FP-6151-36-3040	1.00MM	
QTY	LINERS	PART NO.	SIZE	DESCRIPTION
6	Cylinder Kit Complete	FP-LK522510		
6	Liner w/o Sealing Ring	FP-6151-22-2220		
6	O-Ring	FP-6150-21-2230		
6	O-Ring	FP-6150-21-2240		
6	Sealing Ring, Liner	FP-6150-21-2250		
QTY	PISTON RINGS	PART NO.	SIZE	DESCRIPTION
6	Ring Set, Single Cylinder	FP-6150-32-2030		
QTY	PISTONS	PART NO.	SIZE	DESCRIPTION
6	Piston Body w/o Pin	FP-6152-32-2510		
6	Piston Pin	FP-6151-31-2410		
6	Piston Pin Bushing	FP-6150-31-3130		
12	Piston Pin Retainer	FP-04065-04818		

ENGINE BLOCK & PARTS

QTY	CAM BEARINGS	PART NO.	SIZE	DESCRIPTION
7	Camshaft Bearing	FP-6150-21-1490		
QTY	GASKET SETS	PART NO.	SIZE	DESCRIPTION
1	Conversion Gasket Set	FP-6155-K2-9900		
QTY	GASKETS	PART NO.	SIZE	DESCRIPTION
1	Oil Pan Gasket	FP-6150-21-5812		

FUEL SYSTEM & PARTS

QTY	FUEL INJECTION	PART NO.	SIZE	DESCRIPTION
6	Fuel Injector Sleeve	FP-6136-11-1130		

INT & EXH MANIFOLDS

QTY	INT. & EXH. MANIFOLDS	PART NO.	SIZE	DESCRIPTION
6	Exhaust Manifold Gasket	FP-6150-11-5810		
6	Intake Manifold Gasket	FP-6150-13-4810		

129 11.0L 674 OHV L6, 4.9213" Bore

Excavator

S6D125; Build Series 1S; Eng. Ser. No. 23689-Up; Model PC300-3; Model Ser. No. 12001-Up
 S6D125; Build Series 1S; Eng. Ser. No. 23689-Up; Model PC300LC-3; Model Ser. No. 12001-Up
 S6D125; Build Series 1S; Eng. Ser. No. 23689-Up; Model PC300LC-3; Model Ser. No. A14398-Up
 S6D125; Build Series 1S; Eng. Ser. No. 23689-Up; Model PC360LC-3; Model Ser. No. 10001-Up

COOLING SYSTEM

QTY	THERMOSTAT	PART NO.	SIZE	DESCRIPTION
1	O-Ring	FP-6138-11-6810		
1	Thermostat	FP-600-421-6310		
QTY	WATER PUMP	PART NO.	SIZE	DESCRIPTION
1	Water Pump - Heavy Duty	FP-6151-61-1121		
1	Water Pump Gasket Kit	FP-6151-K6-9902		

CRANKSHAFT/OIL PUMP

QTY	CRANKSHAFT	PART NO.	SIZE	DESCRIPTION
1	Crankshaft	FP-6151-35-1010		
QTY	MAIN BEARINGS	PART NO.	SIZE	DESCRIPTION
1	Main Bearing and Thrust Washer	FP-6150-21-8000		
7	Main Bearing, Flanged	FP-6150-21-8010	STD	
7	Main Bearing, Flanged	FP-6150-29-8010	.25MM	
7	Main Bearing, Flanged	FP-6150-28-8010	.50MM	
7	Main Bearing, Flanged	FP-6150-27-8010	.75MM	
7	Main Bearing, Flanged	FP-6150-26-8010	1.00MM	
1	Thrust Washer	FP-6150-21-8050	STD	
1	Thrust Washer	FP-6150-29-8050	.25MM	
1	Thrust Washer	FP-6150-28-8050	.50MM	
1	Thrust Washer	FP-6150-27-8050	.75MM	
1	Thrust Washer	FP-6150-26-8050	1.00MM	
QTY	OIL PUMP	PART NO.	SIZE	DESCRIPTION
1	Oil Pump	FP-6151-51-1005		
QTY	SEALS - FRONT CRANK	PART NO.	SIZE	DESCRIPTION
1	Oil Seal	FP-6150-21-3230		
QTY	SEALS - REAR CRANK	PART NO.	SIZE	DESCRIPTION
1	Oil Seal	FP-6151-21-4161		

CYL. HEAD & PARTS

QTY	GASKETS	PART NO.	SIZE	DESCRIPTION
6	Head Gasket	FP-6150-17-1813		
1	Head Gasket Set	FP-6151-K1-9901		
6	Valve Cover Gasket	FP-6150-11-8810		
QTY	PUSH RODS	PART NO.	SIZE	DESCRIPTION
12	Push Rod	FP-6150-41-3111		
QTY	VALVE	PART NO.	SIZE	DESCRIPTION
48	Valve Keeper	FP-6136-42-4520		Int. & Exh.
12	Valve, Exhaust	FP-6150-41-4210		
12	Valve, Intake	FP-6150-41-4111		
QTY	VALVE GUIDE	PART NO.	SIZE	DESCRIPTION
12	Valve Guide	FP-6150-12-1341		Int.
12	Valve Guide	FP-6150-12-1351		Exh.
QTY	VALVE SEAL	PART NO.	SIZE	DESCRIPTION
12	Valve Stem Seal	FP-6140-41-4540		
QTY	VALVE SEAT	PART NO.	SIZE	DESCRIPTION
12	Valve Seat	FP-6150-11-1320		Exh.
12	Valve Seat	FP-6151-11-1330		Int.
QTY	VALVE SPRING	PART NO.	SIZE	DESCRIPTION
12	Valve Spring	FP-6150-41-4411		Exh.
12	Valve Spring	FP-6150-41-4420		Int.
24	Valve Spring Seat	FP-6150-41-4430		Lower
24	Valve Spring Seat	FP-6150-41-4510		Upper

CYLINDER COMPONENTS

QTY	CONNECTING RODS & BRGS.	PART NO.	SIZE	DESCRIPTION
6	Connecting Rod Bearing Pair	FP-6150-31-3040	STD	
6	Connecting Rod Bearing Pair	FP-6150-39-3040	.25MM	
6	Connecting Rod Bearing Pair	FP-6150-38-3040	.50MM	
6	Connecting Rod Bearing Pair	FP-6150-37-3040	.75MM	

(continued on next page)

11.0L 674 OHV L6, 4.9213" Bore 129
(cont.)

CYLINDER COMPONENTS (cont.)

CYLINDER COMPONENTS (cont.)				
CONNECTING RODS & BRGS. (cont.)				
QTY		PART NO.	SIZE	DESCRIPTION
6	Connecting Rod Bearing Pair	FP-6150-36-3040	1.00MM	
LINERS				
QTY		PART NO.	SIZE	DESCRIPTION
6	Cylinder Kit Complete	FP-LK512171		
6	Liner w/o Sealing Ring	FP-6151-22-2220		
6	O-Ring	FP-6150-21-2230		
6	O-Ring	FP-6150-21-2240		
6	Sealing Ring, Liner	FP-6150-21-2250		
PISTON RINGS				
QTY		PART NO.	SIZE	DESCRIPTION
6	Ring Set, Single Cylinder	FP-6150-31-2033		
PISTONS				
QTY		PART NO.	SIZE	DESCRIPTION
6	Piston Body w/o Pin	FP-6151-31-2171		
6	Piston Kit w/Pin & Retainers	FP-6151-31-2071		
6	Piston Pin	FP-6151-31-2420		
6	Piston Pin Bushing	FP-6151-31-3230		
12	Piston Pin Retainer	FP-04065-04818		
ENGINE BLOCK & PARTS				
CAM BEARINGS				
QTY		PART NO.	SIZE	DESCRIPTION
7	Camshaft Bearing	FP-6150-21-1490		
GASKET SETS				
QTY		PART NO.	SIZE	DESCRIPTION
1	Conversion Gasket Set	FP-6151-K2-9901		
GASKETS				
QTY		PART NO.	SIZE	DESCRIPTION
1	Oil Pan Gasket	FP-6150-21-5812		
FUEL SYSTEM & PARTS				
FUEL INJECTION				
QTY		PART NO.	SIZE	DESCRIPTION
6	Fuel Injector Sleeve	FP-6136-11-1130		
INT & EXH MANIFOLDS				
INT. & EXH. MANIFOLDS				
QTY		PART NO.	SIZE	DESCRIPTION
6	Exhaust Manifold Gasket	FP-6150-11-5810		
6	Intake Manifold Gasket	FP-6150-13-4810		

130 11.0L 674 OHV L6, 4.9213" Bore

Excavator

S6D125; Build Series 1S; From Eng. Ser. No. 13137 to 23688; Model PC300-3; Model Ser. No. 12001-Up
 S6D125; Build Series 1S; From Eng. Ser. No. 13137 to 23688; Model PC300-3; Model Ser. No. A14398-Up
 S6D125; Build Series 1S; From Eng. Ser. No. 13137 to 23688; Model PC300LC-3; Model Ser. No. 12001-Up
 S6D125; Build Series 1S; From Eng. Ser. No. 13137 to 23688; Model PC300LC-3; Model Ser. No. A14398-Up
 S6D125; Build Series 1S; From Eng. Ser. No. 13137 to 23688; Model PC360LC-3; Model Ser. No. 10001-Up
 S6D125; Build Series 1T; Eng. Ser. No. 26691-Up; Model PC400-3; Model Ser. No. 11001-Up
 S6D125; Build Series 1T; Eng. Ser. No. 26691-Up; Model PC400LC-3; Model Ser. No. 11001-Up
 S6D125; Build Series 1T; From Eng. Ser. No. 13444 to 26690; Model PC400-3; Model Ser. No. 11001-Up
 S6D125; Build Series 1T; From Eng. Ser. No. 13444 to 26690; Model PC400LC-3; Model Ser. No. 11001-Up
 S6D125; Build Series 1VV; Eng. Ser. No. 47224-Up; Model PC400HD-5K; Model Ser. No. 21001-Up
 S6D125; Build Series 1VV; Eng. Ser. No. 48088-Up; Model PC400-5; Model Ser. No. 20001-Up
 S6D125; Build Series 1VV; Eng. Ser. No. 48088-Up; Model PC400-5A; Model Ser. No. 10351-Up
 S6D125; Build Series 1VV; Eng. Ser. No. 48088-Up; Model PC400-5C; Model Ser. No. 10351-Up
 S6D125; Build Series 1VV; Eng. Ser. No. 48088-Up; Model PC400-5T; Model Ser. No. 10351-Up
 S6D125; Build Series 1VV; Eng. Ser. No. 48088-Up; Model PC400LC-5; Model Ser. No. 10351-Up
 S6D125; Build Series 1VV; Eng. Ser. No. 48088-Up; Model PC400LC-5; Model Ser. No. A20109-Up
 S6D125; Build Series 1VV; Eng. Ser. No. 48088-Up; Model PC400LC-5A; Model Ser. No. 10351-Up
 S6D125; Build Series 1VV; Eng. Ser. No. 48088-Up; Model PC400LC-5T; Model Ser. No. 10351-Up
 S6D125; Build Series 1VV; Eng. Ser. No. 48088-Up; Model PC400LC-5T; Model Ser. No. A20109-Up
 S6D125; Build Series 1VV; Eng. Ser. No. 48088-Up; Model PC410-5; Model Ser. No. 10001-Up
 S6D125; Build Series 1VV; Eng. Ser. No. 48088-Up; Model PC410LC-5; Model Ser. No. 10001-Up
 S6D125; Build Series 1VV; From Eng. Ser. No. 35323 to 48087; Model PC400-5; Model Ser. No. 20001-Up
 S6D125; Build Series 1VV; From Eng. Ser. No. 35323 to 48087; Model PC400-5A; Model Ser. No. 10351-Up
 S6D125; Build Series 1VV; From Eng. Ser. No. 35323 to 48087; Model PC400-5C; Model Ser. No. 10351-Up
 S6D125; Build Series 1VV; From Eng. Ser. No. 35323 to 48087; Model PC400-5T; Model Ser. No. 10351-Up
 S6D125; Build Series 1VV; From Eng. Ser. No. 35323 to 48087; Model PC400LC-5; Model Ser. No. 10351-Up
 S6D125; Build Series 1VV; From Eng. Ser. No. 35323 to 48087; Model PC400LC-5; Model Ser. No. A20109-Up
 S6D125; Build Series 1VV; From Eng. Ser. No. 35323 to 48087; Model PC400LC-5A; Model Ser. No. 10351-Up
 S6D125; Build Series 1VV; From Eng. Ser. No. 35323 to 48087; Model PC400LC-5T; Model Ser. No. 10351-Up
 S6D125; Build Series 1VV; From Eng. Ser. No. 35323 to 48087; Model PC400LC-5T; Model Ser. No. A20109-Up
 S6D125; Build Series 1VV; From Eng. Ser. No. 35323 to 48087; Model PC410-5; Model Ser. No. 10001-Up
 S6D125; Build Series 1VV; From Eng. Ser. No. 35323 to 48087; Model PC410LC-5; Model Ser. No. 10001-Up

COOLING SYSTEM

QTY	THERMOSTAT	PART NO.	SIZE	DESCRIPTION
1	O-Ring	FP-6138-11-6810		
1	Thermostat	FP-600-421-6310		

QTY	WATER PUMP	PART NO.	SIZE	DESCRIPTION
1	Water Pump Gasket Kit	FP-6151-K6-9902		

CRANKSHAFT/OIL PUMP

QTY	CRANKSHAFT	PART NO.	SIZE	DESCRIPTION
1	Crankshaft	FP-6151-35-1010		

QTY	MAIN BEARINGS	PART NO.	SIZE	DESCRIPTION
1	Main Bearing and Thrust Washer	FP-6150-21-8000		
7	Main Bearing, Flanged	FP-6150-21-8010	STD	
7	Main Bearing, Flanged	FP-6150-29-8010	.25MM	
7	Main Bearing, Flanged	FP-6150-28-8010	.50MM	
7	Main Bearing, Flanged	FP-6150-27-8010	.75MM	
7	Main Bearing, Flanged	FP-6150-26-8010	1.00MM	
1	Thrust Washer	FP-6150-21-8050	STD	
1	Thrust Washer	FP-6150-29-8050	.25MM	
1	Thrust Washer	FP-6150-28-8050	.50MM	
1	Thrust Washer	FP-6150-27-8050	.75MM	
1	Thrust Washer	FP-6150-26-8050	1.00MM	

QTY	OIL PUMP	PART NO.	SIZE	DESCRIPTION
1	Oil Pump	FP-6151-51-1005		

QTY	SEALS - FRONT CRANK	PART NO.	SIZE	DESCRIPTION
1	Oil Seal	FP-6150-21-3230		

QTY	SEALS - REAR CRANK	PART NO.	SIZE	DESCRIPTION
1	Oil Seal	FP-6151-21-4161		

CYL. HEAD & PARTS

QTY	GASKETS	PART NO.	SIZE	DESCRIPTION
6	Head Gasket	FP-6150-17-1813		
1	Head Gasket Set	FP-6151-K1-9901		

(continued on next page)

11.0L 674 OHV L6, 4.9213" Bore **130**
(cont.)

CYL. HEAD & PARTS (cont.)

QTY	GASKETS (cont.)	PART NO.	SIZE	DESCRIPTION
6	Valve Cover Gasket	FP-6150-11-8810		
QTY	PUSH RODS	PART NO.	SIZE	DESCRIPTION
12	Push Rod	FP-6150-41-3111		
QTY	VALVE	PART NO.	SIZE	DESCRIPTION
48	Valve Keeper	FP-6136-42-4520		Int. & Exh.
12	Valve, Exhaust	FP-6150-41-4210		
12	Valve, Intake	FP-6150-41-4111		
QTY	VALVE GUIDE	PART NO.	SIZE	DESCRIPTION
12	Valve Guide	FP-6150-12-1341		Int.
12	Valve Guide	FP-6150-12-1351		Exh.
QTY	VALVE SEAL	PART NO.	SIZE	DESCRIPTION
12	Valve Stem Seal	FP-6140-41-4540		
QTY	VALVE SEAT	PART NO.	SIZE	DESCRIPTION
12	Valve Seat	FP-6150-11-1320		Exh.
12	Valve Seat	FP-6151-11-1330		Int.
QTY	VALVE SPRING	PART NO.	SIZE	DESCRIPTION
12	Valve Spring	FP-6150-41-4411		Exh.
12	Valve Spring	FP-6150-41-4420		Int.
24	Valve Spring Seat	FP-6150-41-4430		Lower
24	Valve Spring Seat	FP-6150-41-4510		Upper

CYLINDER COMPONENTS

QTY	CONNECTING RODS & BRGS.	PART NO.	SIZE	DESCRIPTION
6	Connecting Rod Bearing Pair	FP-6151-31-3040	STD	
6	Connecting Rod Bearing Pair	FP-6151-39-3040	.25MM	
6	Connecting Rod Bearing Pair	FP-6151-38-3040	.50MM	
6	Connecting Rod Bearing Pair	FP-6151-37-3040	.75MM	
6	Connecting Rod Bearing Pair	FP-6151-36-3040	1.00MM	
QTY	LINERS	PART NO.	SIZE	DESCRIPTION
6	Cylinder Kit Complete	FP-LK512710		
6	Liner w/o Sealing Ring	FP-6151-22-2220		
6	O-Ring	FP-6150-21-2230		
6	O-Ring	FP-6150-21-2240		
6	Sealing Ring, Liner	FP-6150-21-2250		
QTY	PISTON RINGS	PART NO.	SIZE	DESCRIPTION
6	Ring Set, Single Cylinder	FP-6150-31-2033		
QTY	PISTONS	PART NO.	SIZE	DESCRIPTION
6	Piston Body w/o Pin	FP-6151-31-2710		
6	Piston Kit w/Pin & Retainers	FP-6151-31-2012		
6	Piston Pin	FP-6151-31-2410		
6	Piston Pin Bushing	FP-6150-31-3130		
12	Piston Pin Retainer	FP-04065-04818		

ENGINE BLOCK & PARTS

QTY	CAM BEARINGS	PART NO.	SIZE	DESCRIPTION
7	Camshaft Bearing	FP-6150-21-1490		
QTY	GASKET SETS	PART NO.	SIZE	DESCRIPTION
1	Conversion Gasket Set	FP-6151-K2-9901		
QTY	GASKETS	PART NO.	SIZE	DESCRIPTION
1	Oil Pan Gasket	FP-6150-21-5812		

FUEL SYSTEM & PARTS

QTY	FUEL INJECTION	PART NO.	SIZE	DESCRIPTION
6	Fuel Injector Sleeve	FP-6136-11-1130		

INT & EXH MANIFOLDS

QTY	INT. & EXH. MANIFOLDS	PART NO.	SIZE	DESCRIPTION
6	Exhaust Manifold Gasket	FP-6150-11-5810		
6	Intake Manifold Gasket	FP-6150-13-4810		

131 11.0L 674 OHV L6, 4.9213" Bore

Excavator

SA6D125E; Build Series 2; Model PC400HD-6; Model Ser. No. A83001-Up
 SA6D125E; Build Series 2; Model PC400HD-6LK; From Model Ser. No. A84001 to A85000
 SA6D125E; Build Series 2; Model PC400LC-6; Model Ser. No. A83001-Up
 SA6D125E; Build Series 2; Model PC400LC-6LK; From Model Ser. No. A84001 to A85000

COOLING SYSTEM

QTY	THERMOSTAT	PART NO.	SIZE	DESCRIPTION
1	O-Ring	FP-6150-22-6490		
1	Thermostat	FP-600-421-6630		

QTY	WATER PUMP	PART NO.	SIZE	DESCRIPTION
1	Water Pump - Heavy Duty	FP-6152-61-1102		
1	Water Pump Gasket Kit	FP-6155-K6-9900		

CRANKSHAFT/OIL PUMP

QTY	CRANKSHAFT	PART NO.	SIZE	DESCRIPTION
1	Crankshaft	FP-6151-35-1010		

QTY	MAIN BEARINGS	PART NO.	SIZE	DESCRIPTION
1	Main Bearing and Thrust Washer	FP-6150-21-8000		
7	Main Bearing, Flanged	FP-6150-21-8010	STD	
7	Main Bearing, Flanged	FP-6150-29-8010	.25MM	
7	Main Bearing, Flanged	FP-6150-28-8010	.50MM	
7	Main Bearing, Flanged	FP-6150-27-8010	.75MM	
7	Main Bearing, Flanged	FP-6150-26-8010	1.00MM	
1	Thrust Washer	FP-6150-21-8050	STD	
1	Thrust Washer	FP-6150-29-8050	.25MM	
1	Thrust Washer	FP-6150-28-8050	.50MM	
1	Thrust Washer	FP-6150-27-8050	.75MM	
1	Thrust Washer	FP-6150-26-8050	1.00MM	

QTY	OIL PUMP	PART NO.	SIZE	DESCRIPTION
1	Oil Pump	FP-6151-51-1005		

QTY	SEALS - FRONT CRANK	PART NO.	SIZE	DESCRIPTION
1	Oil Seal	FP-6150-21-3230		

QTY	SEALS - REAR CRANK	PART NO.	SIZE	DESCRIPTION
1	Oil Seal	FP-6151-21-4161		

CYL. HEAD & PARTS

QTY	GASKETS	PART NO.	SIZE	DESCRIPTION
6	Head Gasket	FP-6151-12-1810		
1	Head Gasket Set	FP-6155-K1-9900		
6	Valve Cover Gasket	FP-6150-11-8810		

QTY	PUSH RODS	PART NO.	SIZE	DESCRIPTION
12	Push Rod	FP-6150-41-3111		

QTY	VALVE	PART NO.	SIZE	DESCRIPTION
48	Valve Keeper	FP-6136-42-4520		Int. & Exh.
12	Valve, Exhaust	FP-6150-42-4210		
12	Valve, Intake	FP-6150-42-4110		

QTY	VALVE GUIDE	PART NO.	SIZE	DESCRIPTION
24	Valve Guide	FP-6150-12-1370		Int. & Exh.

QTY	VALVE SEAL	PART NO.	SIZE	DESCRIPTION
24	Valve Stem Seal	FP-6150-41-4570		

QTY	VALVE SEAT	PART NO.	SIZE	DESCRIPTION
12	Valve Seat	FP-6150-11-1320		Exh.
12	Valve Seat	FP-6150-12-1380		Int.

QTY	VALVE SPRING	PART NO.	SIZE	DESCRIPTION
24	Valve Spring	FP-6150-41-4450		Int. & Exh.
24	Valve Spring Seat	FP-6150-41-4430		Lower
24	Valve Spring Seat	FP-6150-41-4510		Upper

CYLINDER COMPONENTS

QTY	CONNECTING RODS & BRGS.	PART NO.	SIZE	DESCRIPTION
6	Connecting Rod Bearing Pair	FP-6150-31-3040	STD	
6	Connecting Rod Bearing Pair	FP-6150-39-3040	.25MM	
6	Connecting Rod Bearing Pair	FP-6150-38-3040	.50MM	
6	Connecting Rod Bearing Pair	FP-6150-37-3040	.75MM	
6	Connecting Rod Bearing Pair	FP-6150-36-3040	1.00MM	

(continued on next page)

11.0L 674 OHV L6, 4.9213" Bore 131
(cont.)

CYLINDER COMPONENTS (cont.)

QTY	LINERS	PART NO.	SIZE	DESCRIPTION
6	Cylinder Kit Complete	FP-LK522510		
6	Liner w/o Sealing Ring	FP-6154-21-2220		
6	O-Ring	FP-6150-21-2230		
6	O-Ring	FP-6150-21-2240		
6	Sealing Ring, Liner	FP-6150-21-2250		
QTY	PISTON RINGS	PART NO.	SIZE	DESCRIPTION
6	Ring Set, Single Cylinder	FP-6150-32-2030		
QTY	PISTONS	PART NO.	SIZE	DESCRIPTION
6	Piston Body w/o Pin	FP-6152-32-2510		
6	Piston Pin	FP-6151-31-2410		
6	Piston Pin Bushing	FP-6150-31-3130		
12	Piston Pin Retainer	FP-04065-04818		

ENGINE BLOCK & PARTS

QTY	CAM BEARINGS	PART NO.	SIZE	DESCRIPTION
7	Camshaft Bearing	FP-6150-21-1490		
QTY	GASKET SETS	PART NO.	SIZE	DESCRIPTION
1	Conversion Gasket Set	FP-6155-K2-9900		
QTY	GASKETS	PART NO.	SIZE	DESCRIPTION
1	Oil Pan Gasket	FP-6150-21-5812		

FUEL SYSTEM & PARTS

QTY	FUEL INJECTION	PART NO.	SIZE	DESCRIPTION
6	Fuel Injector Sleeve	FP-6136-11-1130		

INT & EXH MANIFOLDS

QTY	INT. & EXH. MANIFOLDS	PART NO.	SIZE	DESCRIPTION
6	Exhaust Manifold Gasket	FP-6150-11-5810		
6	Intake Manifold Gasket	FP-6150-13-4810		

11.0L 674 OHV L6, 4.9213" Bore 132
Excavator

SA6D125E; Build Series 2A; Eng. Ser. No. 60721-Up; Model PC400-6; Model Ser. No. 30001-Up
SA6D125E; Build Series 2A; Eng. Ser. No. 60721-Up; Model PC400-6C; Model Ser. No. 30001-Up
SA6D125E; Build Series 2A; Eng. Ser. No. 60721-Up; Model PC400-6Z; Model Ser. No. 30001-Up

COOLING SYSTEM

QTY	THERMOSTAT	PART NO.	SIZE	DESCRIPTION
1	O-Ring	FP-6150-22-6490		
1	Thermostat	FP-600-421-6630		
QTY	WATER PUMP	PART NO.	SIZE	DESCRIPTION
1	Water Pump - Heavy Duty	FP-6151-62-1104		
1	Water Pump Gasket Kit	FP-6155-K6-9900		

CRANKSHAFT/OIL PUMP

QTY	CRANKSHAFT	PART NO.	SIZE	DESCRIPTION
1	Crankshaft	FP-6151-35-1010		
QTY	MAIN BEARINGS	PART NO.	SIZE	DESCRIPTION
1	Main Bearing and Thrust Washer	FP-6150-21-8000		
7	Main Bearing, Flanged	FP-6150-21-8010	STD	
7	Main Bearing, Flanged	FP-6150-29-8010	.25MM	
7	Main Bearing, Flanged	FP-6150-28-8010	.50MM	
7	Main Bearing, Flanged	FP-6150-27-8010	.75MM	
7	Main Bearing, Flanged	FP-6150-26-8010	1.00MM	
1	Thrust Washer	FP-6150-21-8050	STD	
1	Thrust Washer	FP-6150-29-8050	.25MM	
1	Thrust Washer	FP-6150-28-8050	.50MM	
1	Thrust Washer	FP-6150-27-8050	.75MM	
1	Thrust Washer	FP-6150-26-8050	1.00MM	
QTY	OIL PUMP	PART NO.	SIZE	DESCRIPTION
1	Oil Pump	FP-6151-51-1005		
QTY	SEALS - FRONT CRANK	PART NO.	SIZE	DESCRIPTION
1	Oil Seal	FP-6150-21-3230		
QTY	SEALS - REAR CRANK	PART NO.	SIZE	DESCRIPTION
1	Oil Seal	FP-6151-21-4161		

(continued on next page)

132 11.0L 674 OHV L6, 4.9213" Bore (cont.)

CYL. HEAD & PARTS				
QTY	GASKETS	PART NO.	SIZE	DESCRIPTION
6	Head Gasket	FP-6151-12-1810		
1	Head Gasket Set	FP-6154-K1-9900		
6	Valve Cover Gasket	FP-6150-11-8810		
QTY	PUSH RODS	PART NO.	SIZE	DESCRIPTION
12	Push Rod	FP-6150-41-3111		
QTY	VALVE	PART NO.	SIZE	DESCRIPTION
48	Valve Keeper	FP-6136-42-4520		Int. & Exh.
12	Valve, Exhaust	FP-6150-42-4210		
12	Valve, Intake	FP-6150-42-4110		
QTY	VALVE GUIDE	PART NO.	SIZE	DESCRIPTION
24	Valve Guide	FP-6150-12-1370		Int. & Exh.
QTY	VALVE SEAL	PART NO.	SIZE	DESCRIPTION
24	Valve Stem Seal	FP-6150-41-4570		
QTY	VALVE SEAT	PART NO.	SIZE	DESCRIPTION
12	Valve Seat	FP-6150-11-1320		Exh.
12	Valve Seat	FP-6151-11-1330		Int.
QTY	VALVE SPRING	PART NO.	SIZE	DESCRIPTION
24	Valve Spring	FP-6150-41-4450		Int. & Exh.
24	Valve Spring Seat	FP-6150-41-4430		Lower
24	Valve Spring Seat	FP-6150-41-4510		Upper
CYLINDER COMPONENTS				
QTY	CONNECTING RODS & BRGS.	PART NO.	SIZE	DESCRIPTION
6	Connecting Rod Bearing Pair	FP-6151-31-3040	STD	
6	Connecting Rod Bearing Pair	FP-6151-39-3040	.25MM	
6	Connecting Rod Bearing Pair	FP-6151-38-3040	.50MM	
6	Connecting Rod Bearing Pair	FP-6151-37-3040	.75MM	
6	Connecting Rod Bearing Pair	FP-6151-36-3040	1.00MM	
QTY	LINERS	PART NO.	SIZE	DESCRIPTION
6	Cylinder Kit Complete	FP-LK522510		
6	Liner w/o Sealing Ring	FP-6151-22-2220		
6	O-Ring	FP-6150-21-2230		
6	O-Ring	FP-6150-21-2240		
6	Sealing Ring, Liner	FP-6150-21-2250		
QTY	PISTON RINGS	PART NO.	SIZE	DESCRIPTION
6	Ring Set, Single Cylinder	FP-6150-32-2030		
QTY	PISTONS	PART NO.	SIZE	DESCRIPTION
6	Piston Body w/o Pin	FP-6152-32-2510		
6	Piston Pin	FP-6151-31-2410		
6	Piston Pin Bushing	FP-6150-31-3130		
12	Piston Pin Retainer	FP-04065-04818		
ENGINE BLOCK & PARTS				
QTY	CAM BEARINGS	PART NO.	SIZE	DESCRIPTION
7	Camshaft Bearing	FP-6150-21-1490		
QTY	GASKET SETS	PART NO.	SIZE	DESCRIPTION
1	Conversion Gasket Set	FP-6154-K2-9900		
QTY	GASKETS	PART NO.	SIZE	DESCRIPTION
1	Oil Pan Gasket	FP-6150-21-5812		
FUEL SYSTEM & PARTS				
QTY	FUEL INJECTION	PART NO.	SIZE	DESCRIPTION
6	Fuel Injector Sleeve	FP-6136-11-1130		
INT & EXH MANIFOLDS				
QTY	INT. & EXH. MANIFOLDS	PART NO.	SIZE	DESCRIPTION
6	Exhaust Manifold Gasket	FP-6150-11-5810		
6	Intake Manifold Gasket	FP-6150-13-4810		

11.0L 674 OHV L6, 4.9213" Bore 133 Excavator

SA6D125E; Build Series 2A-C; Eng. Ser. No. 60721-Up; Model PC450-6K-KE; Model Ser. No. 32106-Up
 SA6D125E; Build Series 2A-C; Eng. Ser. No. 60721-Up; Model PC450LC-6K-KE; Model Ser. No. 32106-Up
 SA6D125E; Build Series 2A-KU; Eng. Ser. No. 60721-Up; Model PC450-6K-J; Model Ser. No. 10001-Up
 SA6D125E; Build Series 2A-KU; Eng. Ser. No. 60721-Up; Model PC450LC-6K-J; Model Ser. No. 10001-Up
 SA6D125E; Build Series 2A; Eng. Ser. No. 60721-Up; Model PC400LC-6; Model Ser. No. 30001-Up
 SA6D125E; Build Series 2A; Eng. Ser. No. 60721-Up; Model PC400LC-6Z; Model Ser. No. 30001-Up
 SA6D125E; Build Series 2A; Eng. Ser. No. 60721-Up; Model PC450-6-A1; Model Ser. No. 10001-Up
 SA6D125E; Build Series 2A; Eng. Ser. No. 60721-Up; Model PC450LC-6-A1; Model Ser. No. 10001-Up

COOLING SYSTEM

QTY	THERMOSTAT	PART NO.	SIZE	DESCRIPTION
1	O-Ring	FP-6150-22-6490		
1	Thermostat	FP-600-421-6630		

QTY	WATER PUMP	PART NO.	SIZE	DESCRIPTION
1	Water Pump - Heavy Duty	FP-6151-62-1104		
1	Water Pump Gasket Kit	FP-6155-K6-9900		

CRANKSHAFT/OIL PUMP

QTY	CRANKSHAFT	PART NO.	SIZE	DESCRIPTION
1	Crankshaft	FP-6151-35-1010		

QTY	MAIN BEARINGS	PART NO.	SIZE	DESCRIPTION
1	Main Bearing and Thrust Washer	FP-6150-21-8000		
7	Main Bearing, Flanged	FP-6150-21-8010	STD	
7	Main Bearing, Flanged	FP-6150-29-8010	.25MM	
7	Main Bearing, Flanged	FP-6150-28-8010	.50MM	
7	Main Bearing, Flanged	FP-6150-27-8010	.75MM	
7	Main Bearing, Flanged	FP-6150-26-8010	1.00MM	
1	Thrust Washer	FP-6150-21-8050	STD	
1	Thrust Washer	FP-6150-29-8050	.25MM	
1	Thrust Washer	FP-6150-28-8050	.50MM	
1	Thrust Washer	FP-6150-27-8050	.75MM	
1	Thrust Washer	FP-6150-26-8050	1.00MM	

QTY	OIL PUMP	PART NO.	SIZE	DESCRIPTION
1	Oil Pump	FP-6151-51-1005		

QTY	SEALS - FRONT CRANK	PART NO.	SIZE	DESCRIPTION
1	Oil Seal	FP-6150-21-3230		

QTY	SEALS - REAR CRANK	PART NO.	SIZE	DESCRIPTION
1	Oil Seal	FP-6151-21-4161		

CYL. HEAD & PARTS

QTY	GASKETS	PART NO.	SIZE	DESCRIPTION
6	Head Gasket	FP-6151-12-1810		
1	Head Gasket Set	FP-6155-K1-9900		
6	Valve Cover Gasket	FP-6150-11-8810		

QTY	PUSH RODS	PART NO.	SIZE	DESCRIPTION
12	Push Rod	FP-6150-41-3111		

QTY	VALVE	PART NO.	SIZE	DESCRIPTION
48	Valve Keeper	FP-6136-42-4520		Int. & Exh.
12	Valve, Exhaust	FP-6150-42-4210		
12	Valve, Intake	FP-6150-42-4110		

QTY	VALVE GUIDE	PART NO.	SIZE	DESCRIPTION
24	Valve Guide	FP-6150-12-1370		Int. & Exh.

QTY	VALVE SEAL	PART NO.	SIZE	DESCRIPTION
24	Valve Stem Seal	FP-6150-41-4570		

QTY	VALVE SEAT	PART NO.	SIZE	DESCRIPTION
12	Valve Seat	FP-6150-11-1320		Exh.
12	Valve Seat	FP-6151-11-1330		Int.

QTY	VALVE SPRING	PART NO.	SIZE	DESCRIPTION
24	Valve Spring	FP-6150-41-4450		Int. & Exh.
24	Valve Spring Seat	FP-6150-41-4430		Lower
24	Valve Spring Seat	FP-6150-41-4510		Upper

CYLINDER COMPONENTS

QTY	CONNECTING RODS & BRGS.	PART NO.	SIZE	DESCRIPTION
6	Connecting Rod Bearing Pair	FP-6151-31-3040	STD	
6	Connecting Rod Bearing Pair	FP-6151-39-3040	.25MM	

(continued on next page)

133 11.0L 674 OHV L6, 4.9213" Bore (cont.)

CYLINDER COMPONENTS (cont.)

CONNECTING RODS & BRGS. (cont.)				
QTY		PART NO.	SIZE	DESCRIPTION
6	Connecting Rod Bearing Pair	FP-6151-38-3040	.50MM	
6	Connecting Rod Bearing Pair	FP-6151-37-3040	.75MM	
6	Connecting Rod Bearing Pair	FP-6151-36-3040	1.00MM	
LINERS				
QTY		PART NO.	SIZE	DESCRIPTION
6	Cylinder Kit Complete	FP-LK522510		
6	Liner w/o Sealing Ring	FP-6151-22-2220		
6	O-Ring	FP-6150-21-2230		
6	O-Ring	FP-6150-21-2240		
6	Sealing Ring, Liner	FP-6150-21-2250		
PISTON RINGS				
QTY		PART NO.	SIZE	DESCRIPTION
6	Ring Set, Single Cylinder	FP-6150-32-2030		
PISTONS				
QTY		PART NO.	SIZE	DESCRIPTION
6	Piston Body w/o Pin	FP-6152-32-2510		
6	Piston Pin	FP-6151-31-2410		
6	Piston Pin Bushing	FP-6150-31-3130		
12	Piston Pin Retainer	FP-04065-04818		

ENGINE BLOCK & PARTS

CAM BEARINGS				
QTY		PART NO.	SIZE	DESCRIPTION
7	Camshaft Bearing	FP-6150-21-1490		
GASKET SETS				
QTY		PART NO.	SIZE	DESCRIPTION
1	Conversion Gasket Set	FP-6155-K2-9900		
GASKETS				
QTY		PART NO.	SIZE	DESCRIPTION
1	Oil Pan Gasket	FP-6150-21-5812		

FUEL SYSTEM & PARTS

FUEL INJECTION				
QTY		PART NO.	SIZE	DESCRIPTION
6	Fuel Injector Sleeve	FP-6136-11-1130		

INT & EXH MANIFOLDS

INT. & EXH. MANIFOLDS				
QTY		PART NO.	SIZE	DESCRIPTION
6	Exhaust Manifold Gasket	FP-6150-11-5810		
6	Intake Manifold Gasket	FP-6150-13-4810		

134 11.0L 674 OHV L6, 4.9213" Bore

Excavator

SAA6D125E; Build Series 2D; Eng. Ser. No. 210001-Up; Model PC400-6-T2; Model Ser. No. 30001-Up

COOLING SYSTEM

THERMOSTAT				
QTY		PART NO.	SIZE	DESCRIPTION
1	O-Ring	FP-6150-22-6490		
1	Thermostat	FP-600-421-6630		
WATER PUMP				
QTY		PART NO.	SIZE	DESCRIPTION
1	Water Pump - Heavy Duty	FP-6151-62-1104		
1	Water Pump Gasket Kit	FP-6155-K6-9900		

CRANKSHAFT/OIL PUMP

CRANKSHAFT				
QTY		PART NO.	SIZE	DESCRIPTION
1	Crankshaft	FP-6151-35-1010		
MAIN BEARINGS				
QTY		PART NO.	SIZE	DESCRIPTION
1	Main Bearing and Thrust Washer	FP-6150-21-8000		
7	Main Bearing, Flanged	FP-6150-21-8010	STD	
7	Main Bearing, Flanged	FP-6150-29-8010	.25MM	
7	Main Bearing, Flanged	FP-6150-28-8010	.50MM	
7	Main Bearing, Flanged	FP-6150-27-8010	.75MM	
7	Main Bearing, Flanged	FP-6150-26-8010	1.00MM	
1	Thrust Washer	FP-6150-21-8050	STD	
1	Thrust Washer	FP-6150-29-8050	.25MM	
1	Thrust Washer	FP-6150-28-8050	.50MM	
1	Thrust Washer	FP-6150-27-8050	.75MM	
1	Thrust Washer	FP-6150-26-8050	1.00MM	
OIL PUMP				
QTY		PART NO.	SIZE	DESCRIPTION
1	Oil Pump	FP-6151-51-1005		

(continued on next page)

11.0L 674 OHV L6, 4.9213" Bore **134**
(cont.)

CRANKSHAFT/OIL PUMP (cont.)

QTY	SEALS - FRONT CRANK	PART NO.	SIZE	DESCRIPTION
1	Oil Seal	FP-6150-21-3230		

QTY	SEALS - REAR CRANK	PART NO.	SIZE	DESCRIPTION
1	Oil Seal	FP-6151-21-4161		

CYL. HEAD & PARTS

QTY	GASKETS	PART NO.	SIZE	DESCRIPTION
6	Head Gasket	FP-6151-12-1810		
6	Valve Cover Gasket	FP-6150-11-8810		

QTY	PUSH RODS	PART NO.	SIZE	DESCRIPTION
12	Push Rod	FP-6150-41-3111		

QTY	VALVE	PART NO.	SIZE	DESCRIPTION
48	Valve Keeper	FP-6136-42-4520		Int. & Exh.
12	Valve, Exhaust	FP-6150-42-4210		
12	Valve, Intake	FP-6150-42-4110		

QTY	VALVE GUIDE	PART NO.	SIZE	DESCRIPTION
24	Valve Guide	FP-6150-12-1370		Int. & Exh.

QTY	VALVE SEAL	PART NO.	SIZE	DESCRIPTION
24	Valve Stem Seal	FP-6150-41-4570		

QTY	VALVE SEAT	PART NO.	SIZE	DESCRIPTION
12	Valve Seat	FP-6150-11-1320		Exh.
12	Valve Seat	FP-6151-11-1330		Int.

QTY	VALVE SPRING	PART NO.	SIZE	DESCRIPTION
24	Valve Spring	FP-6150-41-4450		Int. & Exh.
24	Valve Spring Seat	FP-6150-41-4430		Lower
24	Valve Spring Seat	FP-6150-41-4510		Upper

CYLINDER COMPONENTS

QTY	CONNECTING RODS & BRGS.	PART NO.	SIZE	DESCRIPTION
6	Connecting Rod Bearing Pair	FP-6151-31-3040	STD	
6	Connecting Rod Bearing Pair	FP-6151-39-3040	.25MM	
6	Connecting Rod Bearing Pair	FP-6151-38-3040	.50MM	
6	Connecting Rod Bearing Pair	FP-6151-37-3040	.75MM	
6	Connecting Rod Bearing Pair	FP-6151-36-3040	1.00MM	

QTY	LINERS	PART NO.	SIZE	DESCRIPTION
6	Cylinder Kit Complete	FP-LK522510		
6	Liner w/o Sealing Ring	FP-6151-22-2220		
6	O-Ring	FP-6150-21-2230		
6	O-Ring	FP-6150-21-2240		
6	Sealing Ring, Liner	FP-6150-21-2250		

QTY	PISTON RINGS	PART NO.	SIZE	DESCRIPTION
6	Ring Set, Single Cylinder	FP-6150-32-2030		

QTY	PISTONS	PART NO.	SIZE	DESCRIPTION
6	Piston Body w/o Pin	FP-6152-32-2510		
6	Piston Pin	FP-6151-31-2410		
6	Piston Pin Bushing	FP-6150-31-3130		
12	Piston Pin Retainer	FP-04065-04818		

ENGINE BLOCK & PARTS

QTY	CAM BEARINGS	PART NO.	SIZE	DESCRIPTION
7	Camshaft Bearing	FP-6150-21-1490		

QTY	GASKET SETS	PART NO.	SIZE	DESCRIPTION
1	Conversion Gasket Set	FP-6154-K2-9900		

QTY	GASKETS	PART NO.	SIZE	DESCRIPTION
1	Oil Pan Gasket	FP-6150-21-5812		

FUEL SYSTEM & PARTS

QTY	FUEL INJECTION	PART NO.	SIZE	DESCRIPTION
6	Fuel Injector Sleeve	FP-6136-11-1130		

INT & EXH MANIFOLDS

QTY	INT. & EXH. MANIFOLDS	PART NO.	SIZE	DESCRIPTION
6	Exhaust Manifold Gasket	FP-6150-11-5810		
6	Intake Manifold Gasket	FP-6150-13-4810		

135 11.0L 674 OHV L6, 4.9213" Bore

Excavator

SAA6D125E; Build Series 2D; Eng. Ser. No. 210001-Up; Model PC400LC-6-T2; Model Ser. No. 30001-Up
 SAA6D125E; Build Series 2D; Eng. Ser. No. 210001-Up; Model PC450-6-T2; Model Ser. No. 10001-Up
 SAA6D125E; Build Series 2D; Eng. Ser. No. 210001-Up; Model PC450LC-6-T2; Model Ser. No. 10001-Up

COOLING SYSTEM

QTY	THERMOSTAT	PART NO.	SIZE	DESCRIPTION
1	O-Ring	FP-6150-22-6490		
1	Thermostat	FP-600-421-6630		
QTY	WATER PUMP	PART NO.	SIZE	DESCRIPTION
1	Water Pump - Heavy Duty	FP-6151-62-1104		
1	Water Pump Gasket Kit	FP-6155-K6-9900		

CRANKSHAFT/OIL PUMP

QTY	CRANKSHAFT	PART NO.	SIZE	DESCRIPTION
1	Crankshaft	FP-6151-35-1010		
QTY	MAIN BEARINGS	PART NO.	SIZE	DESCRIPTION
1	Main Bearing and Thrust Washer	FP-6150-21-8000		
7	Main Bearing, Flanged	FP-6150-21-8010	STD	
7	Main Bearing, Flanged	FP-6150-29-8010	.25MM	
7	Main Bearing, Flanged	FP-6150-28-8010	.50MM	
7	Main Bearing, Flanged	FP-6150-27-8010	.75MM	
7	Main Bearing, Flanged	FP-6150-26-8010	1.00MM	
1	Thrust Washer	FP-6150-21-8050	STD	
1	Thrust Washer	FP-6150-29-8050	.25MM	
1	Thrust Washer	FP-6150-28-8050	.50MM	
1	Thrust Washer	FP-6150-27-8050	.75MM	
1	Thrust Washer	FP-6150-26-8050	1.00MM	
QTY	OIL PUMP	PART NO.	SIZE	DESCRIPTION
1	Oil Pump	FP-6151-51-1005		
QTY	SEALS - FRONT CRANK	PART NO.	SIZE	DESCRIPTION
1	Oil Seal	FP-6150-21-3230		
QTY	SEALS - REAR CRANK	PART NO.	SIZE	DESCRIPTION
1	Oil Seal	FP-6151-21-4161		

CYL. HEAD & PARTS

QTY	GASKETS	PART NO.	SIZE	DESCRIPTION
6	Head Gasket	FP-6151-12-1810		
1	Head Gasket Set	FP-6155-K1-9900		
6	Valve Cover Gasket	FP-6150-11-8810		
QTY	PUSH RODS	PART NO.	SIZE	DESCRIPTION
12	Push Rod	FP-6150-41-3111		
QTY	VALVE	PART NO.	SIZE	DESCRIPTION
48	Valve Keeper	FP-6136-42-4520		Int. & Exh.
12	Valve, Exhaust	FP-6150-42-4210		
12	Valve, Intake	FP-6150-42-4110		
QTY	VALVE GUIDE	PART NO.	SIZE	DESCRIPTION
24	Valve Guide	FP-6150-12-1370		Int. & Exh.
QTY	VALVE SEAL	PART NO.	SIZE	DESCRIPTION
24	Valve Stem Seal	FP-6150-41-4570		
QTY	VALVE SEAT	PART NO.	SIZE	DESCRIPTION
12	Valve Seat	FP-6150-11-1320		Exh.
12	Valve Seat	FP-6151-11-1330		Int.
QTY	VALVE SPRING	PART NO.	SIZE	DESCRIPTION
24	Valve Spring	FP-6150-41-4450		Int. & Exh.
24	Valve Spring Seat	FP-6150-41-4430		Lower
24	Valve Spring Seat	FP-6150-41-4510		Upper

CYLINDER COMPONENTS

QTY	CONNECTING RODS & BRGS.	PART NO.	SIZE	DESCRIPTION
6	Connecting Rod Bearing Pair	FP-6151-31-3040	STD	
6	Connecting Rod Bearing Pair	FP-6151-39-3040	.25MM	
6	Connecting Rod Bearing Pair	FP-6151-38-3040	.50MM	
6	Connecting Rod Bearing Pair	FP-6151-37-3040	.75MM	
6	Connecting Rod Bearing Pair	FP-6151-36-3040	1.00MM	
QTY	LINERS	PART NO.	SIZE	DESCRIPTION
6	Cylinder Kit Complete	FP-LK522510		

(continued on next page)

11.0L 674 OHV L6, 4.9213" Bore 135
(cont.)

CYLINDER COMPONENTS (cont.)

QTY	LINERS (cont.)	PART NO.	SIZE	DESCRIPTION
6	Liner w/o Sealing Ring	FP-6151-22-2220		
6	O-Ring	FP-6150-21-2230		
6	O-Ring	FP-6150-21-2240		
6	Sealing Ring, Liner	FP-6150-21-2250		
QTY	PISTON RINGS	PART NO.	SIZE	DESCRIPTION
6	Ring Set, Single Cylinder	FP-6150-32-2030		
QTY	PISTONS	PART NO.	SIZE	DESCRIPTION
6	Piston Body w/o Pin	FP-6152-32-2510		
6	Piston Pin	FP-6151-31-2410		
6	Piston Pin Bushing	FP-6150-31-3130		
12	Piston Pin Retainer	FP-04065-04818		

ENGINE BLOCK & PARTS

QTY	CAM BEARINGS	PART NO.	SIZE	DESCRIPTION
7	Camshaft Bearing	FP-6150-21-1490		
QTY	GASKET SETS	PART NO.	SIZE	DESCRIPTION
1	Conversion Gasket Set	FP-6155-K2-9900		
QTY	GASKETS	PART NO.	SIZE	DESCRIPTION
1	Oil Pan Gasket	FP-6150-21-5812		

FUEL SYSTEM & PARTS

QTY	FUEL INJECTION	PART NO.	SIZE	DESCRIPTION
6	Fuel Injector Sleeve	FP-6136-11-1130		

INT & EXH MANIFOLDS

QTY	INT. & EXH. MANIFOLDS	PART NO.	SIZE	DESCRIPTION
6	Exhaust Manifold Gasket	FP-6150-11-5810		
6	Intake Manifold Gasket	FP-6150-13-4810		

11.0L 674 OHV L6, 4.9213" Bore 135
Grader

6D125; Build Series 1AB-N; Eng. Ser. No. 47990-Up; Model GD625A-1C; Model Ser. No. 60001-Up
 6D125; Build Series 1AB; Eng. Ser. No. 10276-Up; Model GD625A-1C; Model Ser. No. 60001-Up
 6D125; Build Series 1N; Eng. Ser. No. 10001-Up; Model GD600R-3; Model Ser. No. 14001-Up
 6D125; Build Series 1Q; Eng. Ser. No. 10001-Up; Model GD605A-3; Model Ser. No. 54001-Up
 6D125; Build Series 1Q; Eng. Ser. No. 10001-Up; Model GD605A-3US; Model Ser. No. 57001-Up
 6D125; Build Series 1R; Eng. Ser. No. 10001-Up; Model GD655A-3; Model Ser. No. 64001-Up
 6D125; Build Series 1Y; Eng. Ser. No. 10276-Up; Model GD625A-1; Model Ser. No. 50001-Up
 6D125; Build Series 1Z; Eng. Ser. No. 19761-Up; Model GD623A-1; Model Ser. No. 30001-Up

COOLING SYSTEM

QTY	THERMOSTAT	PART NO.	SIZE	DESCRIPTION
1	O-Ring	FP-6138-11-6810		
1	Thermostat	FP-600-421-6310		
QTY	WATER PUMP	PART NO.	SIZE	DESCRIPTION
1	Water Pump - Heavy Duty	FP-6150-61-1105		
1	Water Pump Gasket Kit	FP-6150-K6-9901		

CRANKSHAFT/OIL PUMP

QTY	CRANKSHAFT	PART NO.	SIZE	DESCRIPTION
1	Crankshaft	FP-6151-35-1010		
QTY	MAIN BEARINGS	PART NO.	SIZE	DESCRIPTION
1	Main Bearing and Thrust Washer	FP-6150-21-8000		
7	Main Bearing, Flanged	FP-6150-21-8010	STD	
7	Main Bearing, Flanged	FP-6150-29-8010	.25MM	
7	Main Bearing, Flanged	FP-6150-28-8010	.50MM	
7	Main Bearing, Flanged	FP-6150-27-8010	.75MM	
7	Main Bearing, Flanged	FP-6150-26-8010	1.00MM	
1	Thrust Washer	FP-6150-21-8050	STD	
1	Thrust Washer	FP-6150-29-8050	.25MM	
1	Thrust Washer	FP-6150-28-8050	.50MM	
1	Thrust Washer	FP-6150-27-8050	.75MM	
1	Thrust Washer	FP-6150-26-8050	1.00MM	
QTY	OIL PUMP	PART NO.	SIZE	DESCRIPTION
1	Oil Pump	FP-6150-51-1004		

(continued on next page)

136 11.0L 674 OHV L6, 4.9213" Bore (cont.)

CRANKSHAFT/OIL PUMP (cont.)				
QTY	SEALS - FRONT CRANK	PART NO.	SIZE	DESCRIPTION
1	Oil Seal	FP-6150-21-3230		
QTY	SEALS - REAR CRANK	PART NO.	SIZE	DESCRIPTION
1	Oil Seal	FP-6151-21-4161		
CYL. HEAD & PARTS				
QTY	GASKETS	PART NO.	SIZE	DESCRIPTION
6	Head Gasket	FP-6150-17-1813		
1	Head Gasket Set	FP-6150-K1-9901		
6	Valve Cover Gasket	FP-6150-11-8810		
QTY	PUSH RODS	PART NO.	SIZE	DESCRIPTION
12	Push Rod	FP-6151-41-3111		
QTY	VALVE	PART NO.	SIZE	DESCRIPTION
48	Valve Keeper	FP-6136-42-4520		Int. & Exh.
12	Valve, Exhaust	FP-6150-41-4210		
12	Valve, Intake	FP-6150-41-4111		
QTY	VALVE GUIDE	PART NO.	SIZE	DESCRIPTION
12	Valve Guide	FP-6150-12-1341		Int.
12	Valve Guide	FP-6150-12-1351		Exh.
QTY	VALVE SEAL	PART NO.	SIZE	DESCRIPTION
12	Valve Stem Seal	FP-6140-41-4540		
QTY	VALVE SEAT	PART NO.	SIZE	DESCRIPTION
12	Valve Seat	FP-6150-11-1320		Exh.
12	Valve Seat	FP-6151-11-1330		Int.
QTY	VALVE SPRING	PART NO.	SIZE	DESCRIPTION
24	Valve Spring	FP-6150-41-4411		
24	Valve Spring Seat	FP-6150-41-4430		Lower
24	Valve Spring Seat	FP-6150-41-4510		Upper
CYLINDER COMPONENTS				
QTY	CONNECTING RODS & BRGS.	PART NO.	SIZE	DESCRIPTION
6	Connecting Rod Bearing Pair	FP-6150-31-3040		STD
6	Connecting Rod Bearing Pair	FP-6150-39-3040		.25MM
6	Connecting Rod Bearing Pair	FP-6150-38-3040		.50MM
6	Connecting Rod Bearing Pair	FP-6150-37-3040		.75MM
6	Connecting Rod Bearing Pair	FP-6150-36-3040		1.00MM
QTY	LINERS	PART NO.	SIZE	DESCRIPTION
6	Cylinder Kit Complete	FP-LK502112		
6	Liner w/o Sealing Ring	FP-6151-22-2220		
6	O-Ring	FP-6150-21-2230		
6	O-Ring	FP-6150-21-2240		
6	Sealing Ring, Liner	FP-6150-21-2250		
QTY	PISTON RINGS	PART NO.	SIZE	DESCRIPTION
6	Ring Set, Single Cylinder	FP-6150-31-2033		
QTY	PISTONS	PART NO.	SIZE	DESCRIPTION
6	Piston Body w/o Pin	FP-6150-31-2112		
6	Piston Kit w/Pin & Retainers	FP-6150-31-2012		
6	Piston Pin	FP-6150-31-2410		
6	Piston Pin Bushing	FP-6150-31-3130		
12	Piston Pin Retainer	FP-04065-04818		
ENGINE BLOCK & PARTS				
QTY	CAM BEARINGS	PART NO.	SIZE	DESCRIPTION
7	Camshaft Bearing	FP-6150-21-1490		
QTY	GASKET SETS	PART NO.	SIZE	DESCRIPTION
1	Conversion Gasket Set	FP-6150-K2-9901		
QTY	GASKETS	PART NO.	SIZE	DESCRIPTION
1	Oil Pan Gasket	FP-6150-21-5812		
FUEL SYSTEM & PARTS				
QTY	FUEL INJECTION	PART NO.	SIZE	DESCRIPTION
6	Fuel Injector Sleeve	FP-6136-11-1130		

(continued on next page)

11.0L 674 OHV L6, 4.9213" Bore 136
(cont.)

INT & EXH MANIFOLDS

QTY	INT. & EXH. MANIFOLDS	PART NO.	SIZE	DESCRIPTION
6	Exhaust Manifold Gasket	FP-6150-11-5810		
6	Intake Manifold Gasket	FP-6150-13-4810		

11.0L 674 OHV L6, 4.9213" Bore 137
Grader

S6D125; Build Series 1C; Eng. Ser. No. 10001-Up; Model GD705A-4R; Model Ser. No. 21001-Up
S6D125; Build Series 1D-AR; Eng. Ser. No. 10001-Up; Model GD705A-4; Model Ser. No. 21001-Up
S6D125; Build Series 1EE; Eng. Ser. No. 10001-Up; Model GD725A-1; Model Ser. No. 50001-Up

COOLING SYSTEM

QTY	THERMOSTAT	PART NO.	SIZE	DESCRIPTION
1	O-Ring	FP-6138-11-6810		
1	Thermostat	FP-600-421-6310		

QTY	WATER PUMP	PART NO.	SIZE	DESCRIPTION
1	Water Pump - Heavy Duty	FP-6151-61-1122		
1	Water Pump Gasket Kit	FP-6151-K6-9902		

CRANKSHAFT/OIL PUMP

QTY	CRANKSHAFT	PART NO.	SIZE	DESCRIPTION
1	Crankshaft	FP-6151-35-1010		

QTY	MAIN BEARINGS	PART NO.	SIZE	DESCRIPTION
1	Main Bearing and Thrust Washer	FP-6150-21-8000		
7	Main Bearing, Flanged	FP-6150-21-8010	STD	
7	Main Bearing, Flanged	FP-6150-29-8010	.25MM	
7	Main Bearing, Flanged	FP-6150-28-8010	.50MM	
7	Main Bearing, Flanged	FP-6150-27-8010	.75MM	
7	Main Bearing, Flanged	FP-6150-26-8010	1.00MM	
1	Thrust Washer	FP-6150-21-8050	STD	
1	Thrust Washer	FP-6150-29-8050	.25MM	
1	Thrust Washer	FP-6150-28-8050	.50MM	
1	Thrust Washer	FP-6150-27-8050	.75MM	
1	Thrust Washer	FP-6150-26-8050	1.00MM	

QTY	OIL PUMP	PART NO.	SIZE	DESCRIPTION
1	Oil Pump	FP-6151-51-1005		

QTY	SEALS - FRONT CRANK	PART NO.	SIZE	DESCRIPTION
1	Oil Seal	FP-6150-21-3230		

QTY	SEALS - REAR CRANK	PART NO.	SIZE	DESCRIPTION
1	Oil Seal	FP-6151-21-4161		

CYL. HEAD & PARTS

QTY	GASKETS	PART NO.	SIZE	DESCRIPTION
6	Head Gasket	FP-6150-17-1813		
1	Head Gasket Set	FP-6151-K1-9901		
6	Valve Cover Gasket	FP-6150-11-8810		

QTY	PUSH RODS	PART NO.	SIZE	DESCRIPTION
12	Push Rod	FP-6150-41-3111		

QTY	VALVE	PART NO.	SIZE	DESCRIPTION
48	Valve Keeper	FP-6136-42-4520		Int. & Exh.
12	Valve, Exhaust	FP-6150-41-4210		
12	Valve, Intake	FP-6150-41-4111		

QTY	VALVE GUIDE	PART NO.	SIZE	DESCRIPTION
12	Valve Guide	FP-6150-12-1341		Int.
12	Valve Guide	FP-6150-12-1351		Exh.

QTY	VALVE SEAL	PART NO.	SIZE	DESCRIPTION
12	Valve Stem Seal	FP-6140-41-4540		

QTY	VALVE SEAT	PART NO.	SIZE	DESCRIPTION
12	Valve Seat	FP-6150-11-1320		Exh.
12	Valve Seat	FP-6151-11-1330		Int.

QTY	VALVE SPRING	PART NO.	SIZE	DESCRIPTION
12	Valve Spring	FP-6150-41-4411		Exh.
12	Valve Spring	FP-6150-41-4420		Int.
24	Valve Spring Seat	FP-6150-41-4430		Lower
24	Valve Spring Seat	FP-6150-41-4510		Upper

(continued on next page)

137 11.0L 674 OHV L6, 4.9213" Bore (cont.)

CYLINDER COMPONENTS

QTY	CONNECTING RODS & BRGS.	PART NO.	SIZE	DESCRIPTION
6	Connecting Rod Bearing Pair	FP-6151-31-3040	STD	
6	Connecting Rod Bearing Pair	FP-6151-39-3040	.25MM	
6	Connecting Rod Bearing Pair	FP-6151-38-3040	.50MM	
6	Connecting Rod Bearing Pair	FP-6151-37-3040	.75MM	
6	Connecting Rod Bearing Pair	FP-6151-36-3040	1.00MM	
QTY	LINERS	PART NO.	SIZE	DESCRIPTION
6	Cylinder Kit Complete	FP-LK512710		
6	Liner w/o Sealing Ring	FP-6151-22-2220		
6	O-Ring	FP-6150-21-2230		
6	O-Ring	FP-6150-21-2240		
6	Sealing Ring, Liner	FP-6150-21-2250		
QTY	PISTON RINGS	PART NO.	SIZE	DESCRIPTION
6	Ring Set, Single Cylinder	FP-6150-31-2033		
QTY	PISTONS	PART NO.	SIZE	DESCRIPTION
6	Piston Body w/o Pin	FP-6151-31-2710		
6	Piston Kit w/Pin & Retainers	FP-6151-31-2012		
6	Piston Pin	FP-6151-31-2410		
6	Piston Pin Bushing	FP-6150-31-3130		
12	Piston Pin Retainer	FP-04065-04818		

ENGINE BLOCK & PARTS

QTY	CAM BEARINGS	PART NO.	SIZE	DESCRIPTION
7	Camshaft Bearing	FP-6150-21-1490		
QTY	GASKET SETS	PART NO.	SIZE	DESCRIPTION
1	Conversion Gasket Set	FP-6151-K2-9901		
QTY	GASKETS	PART NO.	SIZE	DESCRIPTION
1	Oil Pan Gasket	FP-6150-21-5812		

FUEL SYSTEM & PARTS

QTY	FUEL INJECTION	PART NO.	SIZE	DESCRIPTION
6	Fuel Injector Sleeve	FP-6136-11-1130		

INT & EXH MANIFOLDS

QTY	INT. & EXH. MANIFOLDS	PART NO.	SIZE	DESCRIPTION
6	Exhaust Manifold Gasket	FP-6150-11-5810		
6	Intake Manifold Gasket	FP-6150-13-4810		

138 11.0L 674 OHV L6, 4.9213" Bore *Wheel Loader*

S6D125; Build Series 1AJ-S; Eng. Ser. No. 51975-Up; Model WA450-3LL; Model Ser. No. 50305-Up
 S6D125; Build Series 1AM; Eng. Ser. No. 51975-Up; Model WA450-3L; Model Ser. No. 53001-Up
 S6D125; Build Series 1AM; Eng. Ser. No. 51975-Up; Model WA470-3; Model Ser. No. 53001-Up
 S6D125; Build Series 1AM; Eng. Ser. No. 51975-Up; Model WA470-3X; From Model Ser. No. 50001 to 52999
 S6D125; Build Series 1JJ; Eng. Ser. No. 11574-Up; Model WA450-1; Model Ser. No. 10001-Up
 S6D125; Build Series 1JJ; Eng. Ser. No. 11574-Up; Model WA450-1; Model Ser. No. A20038-Up
 S6D125; Build Series 1JJ; Eng. Ser. No. 11574-Up; Model WA450-1A; Model Ser. No. 10001-Up
 S6D125; Build Series 1JJ; Eng. Ser. No. 11574-Up; Model WA450-1A; Model Ser. No. A20038-Up
 S6D125; Build Series 1KK; Eng. Ser. No. 26570-Up; Model WA470-1; Model Ser. No. 10001-Up
 S6D125; Build Series 1M; Eng. Ser. No. 11574-Up; Model WA450-1; Model Ser. No. 10001-Up
 S6D125; Build Series 1M; Eng. Ser. No. 11574-Up; Model WA450-1; Model Ser. No. A20038-Up
 S6D125; Build Series 1M; Eng. Ser. No. 11574-Up; Model WA450-1A; Model Ser. No. 10001-Up
 S6D125; Build Series 1M; Eng. Ser. No. 11574-Up; Model WA450-1A; Model Ser. No. A20038-Up
 S6D125; Build Series 1Z; Eng. Ser. No. 21431-Up; Model WA470-1; Model Ser. No. 10001-Up

COOLING SYSTEM

QTY	THERMOSTAT	PART NO.	SIZE	DESCRIPTION
1	O-Ring	FP-6138-11-6810		
1	Thermostat	FP-600-421-6310		
QTY	WATER PUMP	PART NO.	SIZE	DESCRIPTION
1	Water Pump - Heavy Duty	FP-6151-61-1122		
1	Water Pump Gasket Kit	FP-6151-K6-9902		

(continued on next page)

11.0L 674 OHV L6, 4.9213" Bore 138
(cont.)

CRANKSHAFT/OIL PUMP				
QTY	CRANKSHAFT	PART NO.	SIZE	DESCRIPTION
1	Crankshaft	FP-6151-35-1010		
QTY	MAIN BEARINGS	PART NO.	SIZE	DESCRIPTION
1	Main Bearing and Thrust Washer	FP-6150-21-8000		
7	Main Bearing, Flanged	FP-6150-21-8010	STD	
7	Main Bearing, Flanged	FP-6150-29-8010	.25MM	
7	Main Bearing, Flanged	FP-6150-28-8010	.50MM	
7	Main Bearing, Flanged	FP-6150-27-8010	.75MM	
7	Main Bearing, Flanged	FP-6150-26-8010	1.00MM	
1	Thrust Washer	FP-6150-21-8050	STD	
1	Thrust Washer	FP-6150-29-8050	.25MM	
1	Thrust Washer	FP-6150-28-8050	.50MM	
1	Thrust Washer	FP-6150-27-8050	.75MM	
1	Thrust Washer	FP-6150-26-8050	1.00MM	
QTY	OIL PUMP	PART NO.	SIZE	DESCRIPTION
1	Oil Pump	FP-6151-51-1005		
QTY	SEALS - FRONT CRANK	PART NO.	SIZE	DESCRIPTION
1	Oil Seal	FP-6150-21-3230		
QTY	SEALS - REAR CRANK	PART NO.	SIZE	DESCRIPTION
1	Oil Seal	FP-6151-21-4150		
CYL. HEAD & PARTS				
QTY	GASKETS	PART NO.	SIZE	DESCRIPTION
6	Head Gasket	FP-6150-17-1813		
1	Head Gasket Set	FP-6151-K1-9901		
6	Valve Cover Gasket	FP-6150-11-8810		
QTY	PUSH RODS	PART NO.	SIZE	DESCRIPTION
12	Push Rod	FP-6150-41-3111		
QTY	VALVE	PART NO.	SIZE	DESCRIPTION
48	Valve Keeper	FP-6136-42-4520		Int. & Exh.
12	Valve, Exhaust	FP-6150-41-4210		
12	Valve, Intake	FP-6150-41-4111		
QTY	VALVE GUIDE	PART NO.	SIZE	DESCRIPTION
12	Valve Guide	FP-6150-12-1341		Int.
12	Valve Guide	FP-6150-12-1351		Exh.
QTY	VALVE SEAL	PART NO.	SIZE	DESCRIPTION
12	Valve Stem Seal	FP-6140-41-4540		
QTY	VALVE SEAT	PART NO.	SIZE	DESCRIPTION
12	Valve Seat	FP-6150-11-1320		Exh.
12	Valve Seat	FP-6151-11-1330		Int.
QTY	VALVE SPRING	PART NO.	SIZE	DESCRIPTION
12	Valve Spring	FP-6150-41-4411		Exh.
12	Valve Spring	FP-6150-41-4420		Int.
24	Valve Spring Seat	FP-6150-41-4430		Lower
24	Valve Spring Seat	FP-6150-41-4510		Upper
CYLINDER COMPONENTS				
QTY	CONNECTING RODS & BRGS.	PART NO.	SIZE	DESCRIPTION
6	Connecting Rod Bearing Pair	FP-6151-31-3040	STD	
6	Connecting Rod Bearing Pair	FP-6151-39-3040	.25MM	
6	Connecting Rod Bearing Pair	FP-6151-38-3040	.50MM	
6	Connecting Rod Bearing Pair	FP-6151-37-3040	.75MM	
6	Connecting Rod Bearing Pair	FP-6151-36-3040	1.00MM	
QTY	LINERS	PART NO.	SIZE	DESCRIPTION
6	Cylinder Kit Complete	FP-LK512710		
6	Liner w/o Sealing Ring	FP-6151-22-2220		
6	O-Ring	FP-6150-21-2230		
6	O-Ring	FP-6150-21-2240		
6	Sealing Ring, Liner	FP-6150-21-2250		
QTY	PISTON RINGS	PART NO.	SIZE	DESCRIPTION
6	Ring Set, Single Cylinder	FP-6150-31-2033		
QTY	PISTONS	PART NO.	SIZE	DESCRIPTION
6	Piston Body w/o Pin	FP-6151-31-2710		
6	Piston Kit w/Pin & Retainers	FP-6151-31-2012		

(continued on next page)

138 11.0L 674 OHV L6, 4.9213" Bore (cont.)

CYLINDER COMPONENTS (cont.)

QTY	PISTONS (cont.)	PART NO.	SIZE	DESCRIPTION
6	Piston Pin	FP-6151-31-2410		
6	Piston Pin Bushing	FP-6150-31-3130		
12	Piston Pin Retainer	FP-04065-04818		

ENGINE BLOCK & PARTS

QTY	CAM BEARINGS	PART NO.	SIZE	DESCRIPTION
7	Camshaft Bearing	FP-6150-21-1490		
QTY	GASKET SETS	PART NO.	SIZE	DESCRIPTION
1	Conversion Gasket Set	FP-6151-K2-9901		
QTY	GASKETS	PART NO.	SIZE	DESCRIPTION
1	Oil Pan Gasket	FP-6150-21-5812		

FUEL SYSTEM & PARTS

QTY	FUEL INJECTION	PART NO.	SIZE	DESCRIPTION
6	Fuel Injector Sleeve	FP-6136-11-1130		

INT & EXH MANIFOLDS

QTY	INT. & EXH. MANIFOLDS	PART NO.	SIZE	DESCRIPTION
6	Exhaust Manifold Gasket	FP-6150-11-5810		
6	Intake Manifold Gasket	FP-6150-13-4810		

139 11.0L 674 OHV L6, 4.9213" Bore

Wheel Loader

SA6D125E; Build Series 2; Model WA450-3 Avance Plus; Model Ser. No. A31001-Up

SA6D125E; Build Series 2; Model WA470-3H Active; Model Ser. No. 20942-Up

COOLING SYSTEM

QTY	THERMOSTAT	PART NO.	SIZE	DESCRIPTION
1	O-Ring	FP-6150-22-6490		
1	Thermostat	FP-600-421-6630		
QTY	WATER PUMP	PART NO.	SIZE	DESCRIPTION
1	Water Pump - Heavy Duty	FP-6152-61-1102		
1	Water Pump Gasket Kit	FP-6155-K6-9900		

CRANKSHAFT/OIL PUMP

QTY	CRANKSHAFT	PART NO.	SIZE	DESCRIPTION
1	Crankshaft	FP-6151-35-1010		
QTY	MAIN BEARINGS	PART NO.	SIZE	DESCRIPTION
1	Main Bearing and Thrust Washer	FP-6150-21-8000		
7	Main Bearing, Flanged	FP-6150-21-8010	STD	
7	Main Bearing, Flanged	FP-6150-29-8010	.25MM	
7	Main Bearing, Flanged	FP-6150-28-8010	.50MM	
7	Main Bearing, Flanged	FP-6150-27-8010	.75MM	
7	Main Bearing, Flanged	FP-6150-26-8010	1.00MM	
1	Thrust Washer	FP-6150-21-8050	STD	
1	Thrust Washer	FP-6150-29-8050	.25MM	
1	Thrust Washer	FP-6150-28-8050	.50MM	
1	Thrust Washer	FP-6150-27-8050	.75MM	
1	Thrust Washer	FP-6150-26-8050	1.00MM	

QTY	OIL PUMP	PART NO.	SIZE	DESCRIPTION
1	Oil Pump	FP-6151-51-1005		

QTY	SEALS - FRONT CRANK	PART NO.	SIZE	DESCRIPTION
1	Oil Seal	FP-6150-21-3230		

QTY	SEALS - REAR CRANK	PART NO.	SIZE	DESCRIPTION
1	Oil Seal	FP-6151-21-4161		

CYL. HEAD & PARTS

QTY	GASKETS	PART NO.	SIZE	DESCRIPTION
6	Head Gasket	FP-6151-12-1810		
1	Head Gasket Set	FP-6155-K1-9900		
6	Valve Cover Gasket	FP-6150-11-8810		

QTY	PUSH RODS	PART NO.	SIZE	DESCRIPTION
12	Push Rod	FP-6150-41-3111		

QTY	VALVE	PART NO.	SIZE	DESCRIPTION
48	Valve Keeper	FP-6136-42-4520		Int. & Exh.

(continued on next page)

11.0L 674 OHV L6, 4.9213" Bore 139 (cont.)

CYL. HEAD & PARTS (cont.)

QTY	VALVE (cont.)	PART NO.	SIZE	DESCRIPTION
12	Valve, Exhaust	FP-6150-42-4210		
12	Valve, Intake	FP-6150-42-4110		
QTY	VALVE GUIDE	PART NO.	SIZE	DESCRIPTION
24	Valve Guide	FP-6150-12-1370		Int. & Exh.
QTY	VALVE SEAL	PART NO.	SIZE	DESCRIPTION
24	Valve Stem Seal	FP-6150-41-4570		
QTY	VALVE SEAT	PART NO.	SIZE	DESCRIPTION
12	Valve Seat	FP-6150-11-1320		Exh.
12	Valve Seat	FP-6150-12-1380		Int.
QTY	VALVE SPRING	PART NO.	SIZE	DESCRIPTION
24	Valve Spring	FP-6150-41-4450		Int. & Exh.
24	Valve Spring Seat	FP-6150-41-4430		Lower
24	Valve Spring Seat	FP-6150-41-4510		Upper

CYLINDER COMPONENTS

QTY	CONNECTING RODS & BRGS.	PART NO.	SIZE	DESCRIPTION
6	Connecting Rod Bearing Pair	FP-6150-31-3040	STD	
6	Connecting Rod Bearing Pair	FP-6150-39-3040	.25MM	
6	Connecting Rod Bearing Pair	FP-6150-38-3040	.50MM	
6	Connecting Rod Bearing Pair	FP-6150-37-3040	.75MM	
6	Connecting Rod Bearing Pair	FP-6150-36-3040	1.00MM	
QTY	LINERS	PART NO.	SIZE	DESCRIPTION
6	Cylinder Kit Complete	FP-LK522510		
6	Liner w/o Sealing Ring	FP-6154-21-2220		
6	O-Ring	FP-6150-21-2230		
6	O-Ring	FP-6150-21-2240		
6	Sealing Ring, Liner	FP-6150-21-2250		
QTY	PISTON RINGS	PART NO.	SIZE	DESCRIPTION
6	Ring Set, Single Cylinder	FP-6150-32-2030		
QTY	PISTONS	PART NO.	SIZE	DESCRIPTION
6	Piston Body w/o Pin	FP-6152-32-2510		
6	Piston Pin	FP-6151-31-2410		
6	Piston Pin Bushing	FP-6150-31-3130		
12	Piston Pin Retainer	FP-04065-04818		

ENGINE BLOCK & PARTS

QTY	CAM BEARINGS	PART NO.	SIZE	DESCRIPTION
7	Camshaft Bearing	FP-6150-21-1490		
QTY	GASKET SETS	PART NO.	SIZE	DESCRIPTION
1	Conversion Gasket Set	FP-6155-K2-9900		
QTY	GASKETS	PART NO.	SIZE	DESCRIPTION
1	Oil Pan Gasket	FP-6150-21-5812		

FUEL SYSTEM & PARTS

QTY	FUEL INJECTION	PART NO.	SIZE	DESCRIPTION
6	Fuel Injector Sleeve	FP-6136-11-1130		

INT & EXH MANIFOLDS

QTY	INT. & EXH. MANIFOLDS	PART NO.	SIZE	DESCRIPTION
6	Exhaust Manifold Gasket	FP-6150-11-5810		
6	Intake Manifold Gasket	FP-6150-13-4810		

11.0L 674 OHV L6, 4.9213" Bore 140 Wheel Loader

SA6D125E; Build Series 2C-L; Eng. Ser. No. 60721-Up; Model WA450-3; Model Ser. No. 53001-Up
 SA6D125E; Build Series 2C-L; Eng. Ser. No. 60721-Up; Model WA450L-3; Model Ser. No. 53001-Up
 SA6D125E; Build Series 2C-TA; Eng. Ser. No. 85399-Up; Model WA450-3A-TW; Model Ser. No. 53001-Up

COOLING SYSTEM

QTY	THERMOSTAT	PART NO.	SIZE	DESCRIPTION
1	O-Ring	FP-6150-22-6490		
1	Thermostat	FP-600-421-6630		
QTY	WATER PUMP	PART NO.	SIZE	DESCRIPTION
1	Water Pump - Heavy Duty	FP-6151-62-1104		

(continued on next page)

140 11.0L 674 OHV L6, 4.9213" Bore (cont.)

COOLING SYSTEM (cont.)				
QTY	WATER PUMP (cont.)	PART NO.	SIZE	DESCRIPTION
1	Water Pump Gasket Kit	FP-6155-K6-9900		
CRANKSHAFT/OIL PUMP				
QTY	CRANKSHAFT	PART NO.	SIZE	DESCRIPTION
1	Crankshaft	FP-6151-35-1010		
QTY	MAIN BEARINGS	PART NO.	SIZE	DESCRIPTION
1	Main Bearing and Thrust Washer	FP-6150-21-8000		
7	Main Bearing, Flanged	FP-6150-21-8010	STD	
7	Main Bearing, Flanged	FP-6150-29-8010	.25MM	
7	Main Bearing, Flanged	FP-6150-28-8010	.50MM	
7	Main Bearing, Flanged	FP-6150-27-8010	.75MM	
7	Main Bearing, Flanged	FP-6150-26-8010	1.00MM	
1	Thrust Washer	FP-6150-21-8050	STD	
1	Thrust Washer	FP-6150-29-8050	.25MM	
1	Thrust Washer	FP-6150-28-8050	.50MM	
1	Thrust Washer	FP-6150-27-8050	.75MM	
1	Thrust Washer	FP-6150-26-8050	1.00MM	
QTY	OIL PUMP	PART NO.	SIZE	DESCRIPTION
1	Oil Pump	FP-6151-51-1005		
QTY	SEALS - FRONT CRANK	PART NO.	SIZE	DESCRIPTION
1	Oil Seal	FP-6150-21-3230		
QTY	SEALS - REAR CRANK	PART NO.	SIZE	DESCRIPTION
1	Oil Seal	FP-6151-21-4161		
CYL. HEAD & PARTS				
QTY	GASKETS	PART NO.	SIZE	DESCRIPTION
6	Head Gasket	FP-6151-12-1810		
1	Head Gasket Set	FP-6155-K1-9900		
6	Valve Cover Gasket	FP-6150-11-8810		
QTY	PUSH RODS	PART NO.	SIZE	DESCRIPTION
12	Push Rod	FP-6150-41-3111		
QTY	VALVE	PART NO.	SIZE	DESCRIPTION
48	Valve Keeper	FP-6136-42-4520		Int. & Exh.
12	Valve, Exhaust	FP-6150-42-4210		
12	Valve, Intake	FP-6150-42-4110		
QTY	VALVE GUIDE	PART NO.	SIZE	DESCRIPTION
24	Valve Guide	FP-6150-12-1370		Int. & Exh.
QTY	VALVE SEAL	PART NO.	SIZE	DESCRIPTION
24	Valve Stem Seal	FP-6150-41-4570		
QTY	VALVE SEAT	PART NO.	SIZE	DESCRIPTION
12	Valve Seat	FP-6150-11-1320		Exh.
12	Valve Seat	FP-6151-11-1330		Int.
QTY	VALVE SPRING	PART NO.	SIZE	DESCRIPTION
24	Valve Spring	FP-6150-41-4450		Int. & Exh.
24	Valve Spring Seat	FP-6150-41-4430		Lower
24	Valve Spring Seat	FP-6150-41-4510		Upper
CYLINDER COMPONENTS				
QTY	CONNECTING RODS & BRGS.	PART NO.	SIZE	DESCRIPTION
6	Connecting Rod Bearing Pair	FP-6151-31-3040	STD	
6	Connecting Rod Bearing Pair	FP-6151-39-3040	.25MM	
6	Connecting Rod Bearing Pair	FP-6151-38-3040	.50MM	
6	Connecting Rod Bearing Pair	FP-6151-37-3040	.75MM	
6	Connecting Rod Bearing Pair	FP-6151-36-3040	1.00MM	
QTY	LINERS	PART NO.	SIZE	DESCRIPTION
6	Cylinder Kit Complete	FP-LK522510		
6	Liner w/o Sealing Ring	FP-6151-22-2220		
6	O-Ring	FP-6150-21-2230		
6	O-Ring	FP-6150-21-2240		
6	Sealing Ring, Liner	FP-6150-21-2250		
QTY	PISTON RINGS	PART NO.	SIZE	DESCRIPTION
6	Ring Set, Single Cylinder	FP-6150-32-2030		

(continued on next page)

11.0L 674 OHV L6, 4.9213" Bore 140 (cont.)

CYLINDER COMPONENTS (cont.)

QTY	PISTONS	PART NO.	SIZE	DESCRIPTION
6	Piston Body w/o Pin	FP-6152-32-2510		
6	Piston Pin	FP-6151-31-2410		
6	Piston Pin Bushing	FP-6150-31-3130		
12	Piston Pin Retainer	FP-04065-04818		

ENGINE BLOCK & PARTS

QTY	CAM BEARINGS	PART NO.	SIZE	DESCRIPTION
7	Camshaft Bearing	FP-6150-21-1490		
QTY	GASKET SETS	PART NO.	SIZE	DESCRIPTION
1	Conversion Gasket Set	FP-6155-K2-9900		
QTY	GASKETS	PART NO.	SIZE	DESCRIPTION
1	Oil Pan Gasket	FP-6150-21-5812		

FUEL SYSTEM & PARTS

QTY	FUEL INJECTION	PART NO.	SIZE	DESCRIPTION
6	Fuel Injector Sleeve	FP-6136-11-1130		

INT & EXH MANIFOLDS

QTY	INT. & EXH. MANIFOLDS	PART NO.	SIZE	DESCRIPTION
6	Exhaust Manifold Gasket	FP-6150-11-5810		
6	Intake Manifold Gasket	FP-6150-13-4810		

11.0L 674 OHV L6, 4.9213" Bore 141 Wheel Loader

SAA6D125E; Build Series 3; Model WA450-5L; Model Ser. No. A36001-Up
 SAA6D125E; Build Series 3; Model WA470-5H; Model Ser. No. 50051-Up
 SAA6D125E; Build Series 3; Model WA480-5L; Model Ser. No. A37001-Up
 SAA6D125E; Build Series 3A-W; Eng. Ser. No. 310001-Up; Model WA470-5-W; Model Ser. No. 70001-Up
 SAA6D125E; Build Series 3B-W; Eng. Ser. No. 310001-Up; Model WA480-5-W; Model Ser. No. 80001-Up

COOLING SYSTEM

QTY	THERMOSTAT	PART NO.	SIZE	DESCRIPTION
1	O-Ring	FP-6150-22-6490		
1	Thermostat	FP-600-421-6630		
QTY	WATER PUMP	PART NO.	SIZE	DESCRIPTION
1	Water Pump - Heavy Duty	FP-6154-61-1102		
1	Water Pump Gasket Kit	FP-6159-K6-9900		

CRANKSHAFT/OIL PUMP

QTY	CRANKSHAFT	PART NO.	SIZE	DESCRIPTION
1	Crankshaft	FP-6151-35-1010		
QTY	MAIN BEARINGS	PART NO.	SIZE	DESCRIPTION
1	Main Bearing and Thrust Washer	FP-6150-21-8000		
7	Main Bearing, Flanged	FP-6150-21-8010		STD
7	Main Bearing, Flanged	FP-6150-29-8010		.25MM
7	Main Bearing, Flanged	FP-6150-28-8010		.50MM
7	Main Bearing, Flanged	FP-6150-27-8010		.75MM
7	Main Bearing, Flanged	FP-6150-26-8010		1.00MM
1	Thrust Washer	FP-6150-21-8050		STD
1	Thrust Washer	FP-6150-29-8050		.25MM
1	Thrust Washer	FP-6150-28-8050		.50MM
1	Thrust Washer	FP-6150-27-8050		.75MM
1	Thrust Washer	FP-6150-26-8050		1.00MM
QTY	OIL PUMP	PART NO.	SIZE	DESCRIPTION
1	Oil Pump	FP-6154-51-1000		
QTY	SEALS - FRONT CRANK	PART NO.	SIZE	DESCRIPTION
1	Oil Seal	FP-6150-21-3230		
QTY	SEALS - REAR CRANK	PART NO.	SIZE	DESCRIPTION
1	Oil Seal	FP-6151-21-4161		

CYL. HEAD & PARTS

QTY	GASKETS	PART NO.	SIZE	DESCRIPTION
6	Head Gasket	FP-6151-12-1810		
1	Head Gasket Set	FP-6159-K1-9900		
6	Valve Cover Gasket	FP-6150-11-8810		

(continued on next page)

141 11.0L 674 OHV L6, 4.9213" Bore (cont.)

CYL. HEAD & PARTS (cont.)

QTY	PUSH RODS	PART NO.	SIZE	DESCRIPTION
12	Push Rod	FP-6150-41-3111		
QTY	VALVE	PART NO.	SIZE	DESCRIPTION
48	Valve Keeper	FP-6136-42-4520		Int. & Exh.
12	Valve, Exhaust	FP-6150-42-4210		
12	Valve, Intake	FP-6150-42-4110		
QTY	VALVE GUIDE	PART NO.	SIZE	DESCRIPTION
24	Valve Guide	FP-6150-12-1370		Int. & Exh.
QTY	VALVE SEAL	PART NO.	SIZE	DESCRIPTION
24	Valve Stem Seal	FP-6150-41-4570		
QTY	VALVE SEAT	PART NO.	SIZE	DESCRIPTION
12	Valve Seat	FP-6150-11-1320		Exh.
12	Valve Seat	FP-6150-12-1380		Int.
QTY	VALVE SPRING	PART NO.	SIZE	DESCRIPTION
24	Valve Spring	FP-6150-41-4450		Int. & Exh.
24	Valve Spring Seat	FP-6150-41-4430		Lower
24	Valve Spring Seat	FP-6150-41-4510		Upper

CYLINDER COMPONENTS

QTY	CONNECTING RODS & BRGS.	PART NO.	SIZE	DESCRIPTION
6	Connecting Rod Bearing Pair	FP-6151-31-3040	STD	
6	Connecting Rod Bearing Pair	FP-6151-39-3040	.25MM	
6	Connecting Rod Bearing Pair	FP-6151-38-3040	.50MM	
6	Connecting Rod Bearing Pair	FP-6151-37-3040	.75MM	
6	Connecting Rod Bearing Pair	FP-6151-36-3040	1.00MM	
QTY	LINERS	PART NO.	SIZE	DESCRIPTION
6	Cylinder Kit Complete	FP-LK522510		
6	Liner w/o Sealing Ring	FP-6154-21-2220		
6	O-Ring	FP-6150-21-2230		
6	O-Ring	FP-6150-21-2240		
6	Sealing Ring, Liner	FP-6150-21-2250		
QTY	PISTON RINGS	PART NO.	SIZE	DESCRIPTION
6	Ring Set, Single Cylinder	FP-6150-32-2030		
QTY	PISTONS	PART NO.	SIZE	DESCRIPTION
6	Piston Body w/o Pin	FP-6152-32-2510		
6	Piston Pin	FP-6151-31-2410		
6	Piston Pin Bushing	FP-6150-31-3130		
12	Piston Pin Retainer	FP-04065-04818		

ENGINE BLOCK & PARTS

QTY	CAM BEARINGS	PART NO.	SIZE	DESCRIPTION
7	Camshaft Bearing	FP-6150-21-1490		
QTY	GASKET SETS	PART NO.	SIZE	DESCRIPTION
1	Conversion Gasket Set	FP-6159-K2-9900		
QTY	GASKETS	PART NO.	SIZE	DESCRIPTION
1	Oil Pan Gasket	FP-6150-21-5812		

FUEL SYSTEM & PARTS

QTY	FUEL INJECTION	PART NO.	SIZE	DESCRIPTION
6	Fuel Injector Sleeve	FP-6136-11-1130		

INT & EXH MANIFOLDS

QTY	INT. & EXH. MANIFOLDS	PART NO.	SIZE	DESCRIPTION
6	Exhaust Manifold Gasket	FP-6150-11-5810		
6	Intake Manifold Gasket	FP-6150-13-4810		

19.3L 1175 OHV L6, 6.1024" Bore 142

Dozer

S6D155; Build Series 4A; Eng. Ser. No. 10014-Up; Model D150A-1
 S6D155; Build Series 4B; Eng. Ser. No. 10016-Up; Model D155A-1
 S6D155; Build Series 4C; Eng. Ser. No. 10011-Up; Model D355A-3
 S6D155; Build Series 4E; Eng. Ser. No. 15182-Up; Model D155S-1
 S6D155; Build Series 4J; Eng. Ser. No. 22144-Up; Model D155W-1
 S6D155; Build Series 4S; Eng. Ser. No. 52707-Up; Model D155A-2

CRANKSHAFT/OIL PUMP

QTY	MAIN BEARINGS	PART NO.	SIZE	DESCRIPTION
1	Main Bearing Set	FP-6127-21-8002	STD	With thrustwashers
1	Main Bearing Set	FP-6127-21-8071	STD	Without thrustwashers
1	Main Bearing Set	FP-6127-29-8071	.25MM	Without thrustwashers
1	Main Bearing Set	FP-6127-28-8071	.50MM	Without thrustwashers
1	Main Bearing Set	FP-6127-27-8071	.75MM	Without thrustwashers
1	Main Bearing Set	FP-6127-26-8071	1.00MM	Without thrustwashers
4	Thrust Washer	FP-6127-21-8511		
1	Thrust Washer Set	FP-6127-21-8051		Set of four

QTY	SEALS - FRONT CRANK	PART NO.	SIZE	DESCRIPTION
1	Oil Seal	FP-6127-21-3510		

QTY	SEALS - REAR CRANK	PART NO.	SIZE	DESCRIPTION
1	Oil Seal	FP-6128-21-4230		

CYL. HEAD & PARTS

QTY	GASKETS	PART NO.	SIZE	DESCRIPTION
3	Head Gasket	FP-6127-11-1087		
1	Head Gasket Set	FP-6128-K1-9901		

QTY	ROCKER PARTS	PART NO.	SIZE	DESCRIPTION
6	Rocker Arm Assembly	FP-6128-41-5400		Int.
3	Rocker Arm Shaft	FP-6127-41-5021		

QTY	VALVE	PART NO.	SIZE	DESCRIPTION
48	Valve Keeper	FP-6127-41-4522		Int. & Exh.
12	Valve, Exhaust	FP-6127-41-4214		
12	Valve, Intake	FP-6127-41-4113		

QTY	VALVE GUIDE	PART NO.	SIZE	DESCRIPTION
24	Valve Guide	FP-6127-11-1341		Int. & Exh.

QTY	VALVE SEAL	PART NO.	SIZE	DESCRIPTION
24	Valve Stem Seal	FP-6127-41-4541		

QTY	VALVE SEAT	PART NO.	SIZE	DESCRIPTION
24	Valve Seat	FP-6127-11-1325	STD	Exh.
24	Valve Seat	FP-6127-11-1335	STD	Int.

QTY	VALVE SPRING	PART NO.	SIZE	DESCRIPTION
24	Valve Spring	FP-6127-41-4410		Int. & Exh.

CYLINDER COMPONENTS

QTY	CONNECTING RODS & BRGS.	PART NO.	SIZE	DESCRIPTION
6	Connecting Rod Bearing Pair	FP-6127-31-3042	STD	
6	Connecting Rod Bearing Pair	FP-6127-39-3042	.25MM	
6	Connecting Rod Bearing Pair	FP-6127-38-3042	.50MM	
6	Connecting Rod Bearing Pair	FP-6127-37-3042	.75MM	
6	Connecting Rod Bearing Pair	FP-6127-36-3042	1.00MM	

QTY	LINERS	PART NO.	SIZE	DESCRIPTION
6	Cylinder Kit Complete	FPLK612731-2140		
6	Liner w/o Sealing Ring	FP-6128-21-A222		Replaces OE No's 6128-21-2220, 6128-21-2221, 6128-21-2222, 6128-21-2214, 6128-21-2215, 6128-21-2216
6	O-Ring	FP-6127-21-2221		Center
6	O-Ring	FP-6127-21-2251		Crevice type
6	Sealing Ring, Liner	FP-6127-21-2241		Lower
6	Sealing Ring, Liner	FP-6127-21-2252		Late style, Crevice type

QTY	PISTON RINGS	PART NO.	SIZE	DESCRIPTION
1	Premium Piston Ring Set	FP-6128-31-2060		Set of six
6	Ring Set, Single Cylinder	FP-6128-31-2070		For one piston

QTY	PISTONS	PART NO.	SIZE	DESCRIPTION
6	Piston Body w/o Pin	FP-6127-31-2140		
6	Piston Kit w/Pin & Retainers	FP-6127-31-2030		
6	Piston Pin	FP-6127-31-2410		
12	Piston Pin Bushing	FP-6127-31-3131		

(continued on next page)

142 19.3L 1175 OHV L6, 6.1024" Bore (cont.)

CYLINDER COMPONENTS (cont.)

QTY	PISTONS (cont.)	PART NO.	SIZE	DESCRIPTION
12	Piston Pin Retainer	FP-6120-31-2120		

ENGINE BLOCK & PARTS

QTY	CAM BEARINGS	PART NO.	SIZE	DESCRIPTION
7	Camshaft Bearing	FP-6127-21-1490		
QTY	GASKET SETS	PART NO.	SIZE	DESCRIPTION
1	Conversion Gasket Set	FP-6128-K2-9902		
1	Cyl. Block & Oil Pan Gskt. Set	FP-6128-K2-9901		
QTY	GASKETS	PART NO.	SIZE	DESCRIPTION
1	Oil Pan Gasket	FP-6127-21-5850		

FUEL SYSTEM & PARTS

QTY	FUEL INJECTION	PART NO.	SIZE	DESCRIPTION
6	Fuel Injector Nozzle	FP-6127-11-3133		

143 19.3L 1175 OHV L6, 6.1024" Bore

Dozer

SA6D155; Build Series 4A-35; Eng. Ser. No. 20338-Up; Model D355A-3

SA6D155; Build Series 4A; Eng. Ser. No. 50816-Up; Model D355A-5

CRANKSHAFT/OIL PUMP

QTY	MAIN BEARINGS	PART NO.	SIZE	DESCRIPTION
1	Main Bearing Set	FP-6127-21-8002	STD	With thrustwashers
1	Main Bearing Set	FP-6127-21-8071	STD	Without thrustwashers
1	Main Bearing Set	FP-6127-29-8071	.25MM	Without thrustwashers
1	Main Bearing Set	FP-6127-28-8071	.50MM	Without thrustwashers
1	Main Bearing Set	FP-6127-27-8071	.75MM	Without thrustwashers
1	Main Bearing Set	FP-6127-26-8071	1.00MM	Without thrustwashers
4	Thrust Washer	FP-6127-21-8511		
1	Thrust Washer Set	FP-6127-21-8051		Set of four
QTY	SEALS - FRONT CRANK	PART NO.	SIZE	DESCRIPTION
1	Oil Seal	FP-6127-21-3510		
QTY	SEALS - REAR CRANK	PART NO.	SIZE	DESCRIPTION
1	Oil Seal	FP-6128-21-4230		

CYL. HEAD & PARTS

QTY	GASKETS	PART NO.	SIZE	DESCRIPTION
3	Head Gasket	FP-6127-11-1087		
1	Head Gasket Set	FP-6128-K1-9901		
QTY	ROCKER PARTS	PART NO.	SIZE	DESCRIPTION
6	Rocker Arm Assembly	FP-6128-41-5400		Int.
3	Rocker Arm Shaft	FP-6127-41-5021		
QTY	VALVE	PART NO.	SIZE	DESCRIPTION
48	Valve Keeper	FP-6127-41-4522		Int. & Exh.
12	Valve, Exhaust	FP-6127-41-4214		
12	Valve, Intake	FP-6127-41-4113		
QTY	VALVE GUIDE	PART NO.	SIZE	DESCRIPTION
24	Valve Guide	FP-6127-11-1341		Int. & Exh.
QTY	VALVE SEAL	PART NO.	SIZE	DESCRIPTION
24	Valve Stem Seal	FP-6127-41-4541		
QTY	VALVE SEAT	PART NO.	SIZE	DESCRIPTION
24	Valve Seat	FP-6127-11-1325	STD	Exh.
24	Valve Seat	FP-6127-11-1335	STD	Int.
QTY	VALVE SPRING	PART NO.	SIZE	DESCRIPTION
24	Valve Spring	FP-6127-41-4410		Int. & Exh.

CYLINDER COMPONENTS

QTY	CONNECTING RODS & BRGS.	PART NO.	SIZE	DESCRIPTION
6	Connecting Rod Bearing Pair	FP-6127-31-3042	STD	
6	Connecting Rod Bearing Pair	FP-6127-39-3042	.25MM	
6	Connecting Rod Bearing Pair	FP-6127-38-3042	.50MM	
6	Connecting Rod Bearing Pair	FP-6127-37-3042	.75MM	
6	Connecting Rod Bearing Pair	FP-6127-36-3042	1.00MM	

(continued on next page)

19.3L 1175 OHV L6, 6.1024" Bore 143
(cont.)

CYLINDER COMPONENTS (cont.)

QTY	LINERS	PART NO.	SIZE	DESCRIPTION
6	Cylinder Kit Complete	FPLK612831-2140		
6	Liner w/o Sealing Ring	FP-6128-21-A222		Replaces OE No's 6128-21-2220, 6128-21-2221, 6128-21-2222, 6128-21-2214, 6128-21-2215, 6128-21-2216
6	O-Ring	FP-6127-21-2221		Center
6	O-Ring	FP-6127-21-2251		Crevice type
6	Sealing Ring, Liner	FP-6127-21-2241		Lower
6	Sealing Ring, Liner	FP-6127-21-2252		Late style, Crevice type
QTY	PISTON RINGS	PART NO.	SIZE	DESCRIPTION
1	Premium Piston Ring Set	FP-6128-31-2060		Set of six
6	Ring Set, Single Cylinder	FP-6128-31-2070		For one piston
QTY	PISTONS	PART NO.	SIZE	DESCRIPTION
6	Piston Body w/o Pin	FP-6128-31-2140		
6	Piston Kit w/Pin & Retainers	FP-6128-31-2050		
6	Piston Pin	FP-6127-31-2410		
12	Piston Pin Bushing	FP-6127-31-3131		
12	Piston Pin Retainer	FP-6120-31-2120		
ENGINE BLOCK & PARTS				
QTY	CAM BEARINGS	PART NO.	SIZE	DESCRIPTION
7	Camshaft Bearing	FP-6127-21-1490		
QTY	GASKET SETS	PART NO.	SIZE	DESCRIPTION
1	Conversion Gasket Set	FP-6128-K2-9902		
1	Cyl. Block & Oil Pan Gskt. Set	FP-6128-K2-9901		
QTY	GASKETS	PART NO.	SIZE	DESCRIPTION
1	Oil Pan Gasket	FP-6127-21-5850		
FUEL SYSTEM & PARTS				
QTY	FUEL INJECTION	PART NO.	SIZE	DESCRIPTION
6	Fuel Injector Nozzle	FP-6127-11-3133		

Numerical List



Part No.	Line No.	Part No.	Line No.	Part No.	Line No.
FP-600-421-6110	3, 4, 7, 8, 9, 10, 31, 32, 33, 34, 38, 39, 40, 41, 43, 44, 47, 48, 49, 50, 51	FP-6130-26-8500	31, 32, 33, 34	FP-6136-11-1130	27, 28, 29, 30, 35, 36, 37, 79, 80, 81, 82, 83, 84, 85, 86, 87, 88, 89, 90, 91, 92, 93, 94, 111, 112, 113, 114, 115, 116, 117, 118, 119, 120, 122, 123, 124, 125, 126, 127, 128, 129, 130, 131, 132, 133, 134, 135, 136, 137, 138, 139, 140, 141
FP-600-421-6120	1, 2, 4, 5, 6	FP-6130-27-8101	31, 32, 33, 34	FP-6136-11-1311	27, 28, 29, 35, 37, 79, 82, 83, 86, 88
FP-600-421-6210	27, 28, 29, 30, 35, 36, 37, 79, 80, 81, 82, 83, 84, 85, 86, 87, 88, 89, 90, 93, 94	FP-6130-27-8500	31, 32, 33, 34	FP-6136-11-1813	80, 81, 83, 85, 87, 88, 89, 91, 92, 93, 94
FP-600-421-6220	91	FP-6130-28-8101	31, 32, 33, 34	FP-6136-11-1814	84, 90
FP-600-421-6310	92, 111, 113, 114, 115, 116, 117, 122, 124, 125, 129, 130, 136, 137, 138	FP-6130-28-8500	31, 32, 33, 34	FP-6136-11-4850	1, 2, 3, 4, 5, 6, 7, 8, 9, 10, 27, 28, 29, 30, 35, 36, 37, 38, 39, 40, 41, 42, 43, 44, 45, 46, 47, 48, 49, 50, 51, 52, 79, 80, 81, 82, 83, 84, 85, 86, 87, 88, 89, 90, 91, 92, 93, 94
FP-600-421-6360	42, 45, 46, 52	FP-6130-29-8101	31, 32, 33, 34	FP-6136-11-6810	27, 28, 29, 30, 35, 36, 37, 79, 80, 81, 82, 83, 84, 85, 86, 87, 88, 89, 90, 91, 92, 93, 94
FP-600-421-6630	112, 118, 119, 120, 121, 123, 126, 127, 128, 131, 132, 133, 134, 135, 139, 140, 141	FP-6130-29-8500	31, 32, 33, 34	FP-6136-11-8812	84, 90
FP-6120-31-2120	142, 143	FP-6130-31-2410	31, 32, 33, 34	FP-6136-11-8814	79, 80, 81, 82, 83, 85, 86, 87, 88, 89, 91, 92, 93, 94
FP-6127-11-1087	142, 143	FP-6130-31-2510	31, 32, 33, 34	FP-6136-12-1310	30, 36, 80, 81, 84, 87, 90, 93
FP-6127-11-1325	142, 143	FP-6130-31-3041	31, 32, 33, 34	FP-6136-12-1320	30, 80, 81, 84, 85, 87, 89, 90, 91, 92, 93, 94
FP-6127-11-1335	142, 143	FP-6130-31-3130	31, 32, 33, 34	FP-6136-19-1331	27, 28, 29, 35, 37, 79, 82, 83, 86, 88
FP-6127-11-1341	142, 143	FP-6130-32-2110	31	FP-6136-19-1430	30, 36, 80, 81, 84, 85, 87, 89, 90, 91, 92, 93, 94
FP-6127-11-3133	142, 143	FP-6130-32-2302	31	FP-6136-21-1410	27, 28, 29, 30, 35, 36, 37, 79, 80, 81, 82, 83, 84, 85, 86, 87, 88, 89, 90, 91, 92, 93, 94
FP-6127-21-1490	142, 143	FP-6130-36-3041	31, 32, 33, 34	FP-6136-21-2220	27, 28, 29, 30, 35, 36, 37, 79, 80, 81, 82, 83, 84, 85, 86, 87, 88, 89, 90, 91, 92, 93, 94
FP-6127-21-2221	142, 143	FP-6130-37-3041	31, 32, 33, 34	FP-6136-21-2230	27, 28, 29, 30, 35, 36, 37, 79, 80, 81, 82, 83, 84, 85, 86, 87, 88, 89, 90, 91, 92, 93, 94
FP-6127-21-2241	142, 143	FP-6130-38-3041	31, 32, 33, 34	FP-6136-21-2240	27, 28, 29, 30, 35, 36, 37, 79, 80, 81, 82, 83, 84, 85, 86, 87, 88, 89, 90, 91, 92, 93, 94
FP-6127-21-2251	142, 143	FP-6130-39-3041	31, 32, 33, 34	FP-6136-21-5821	79, 80, 81, 82, 83, 84, 85, 86, 87, 88, 89, 90, 91, 92, 93, 94
FP-6127-21-2252	142, 143	FP-6130-41-2113	27, 28, 29, 30, 31, 32, 33, 34, 35, 36, 37	FP-6136-21-8000	79, 80, 81, 82, 83, 84, 85, 86, 87, 88, 89, 90, 91, 92, 93, 94
FP-6127-21-3510	142, 143	FP-6130-41-4131	31	FP-6136-21-8010	27, 28, 29, 30, 35, 36, 37, 79, 80, 81, 82, 83, 84, 85, 86, 87, 88, 89, 90, 91, 92, 93, 94
FP-6127-21-5850	142, 143	FP-6130-41-4210	31, 32, 33, 34	FP-6136-22-3510	27, 28, 29, 30, 35, 36, 37, 79, 80, 81, 82, 83, 84, 85, 86, 87, 88, 89, 90, 91, 92, 93, 94
FP-6127-21-8002	142, 143	FP-6130-41-4410	31, 32, 33, 34	FP-6136-26-8010	27, 28, 29, 30, 35, 36, 37, 79, 80, 81, 82, 83, 84, 85, 86, 87, 88, 89, 90, 91, 92, 93, 94
FP-6127-21-8051	142, 143	FP-6130-41-4511	31, 32, 33, 34	FP-6136-26-8050	79, 80, 81, 82, 83, 84, 85, 86, 87, 88, 89, 90, 91, 92, 93, 94
FP-6127-21-8071	142, 143	FP-6130-41-4520	31, 32, 33, 34	FP-6136-27-8010	27, 28, 29, 30, 35, 36, 37, 79, 80, 81, 82, 83, 84, 85, 86, 87, 88, 89, 90, 91, 92, 93, 94
FP-6127-21-8511	142, 143	FP-6130-41-4541	32, 33, 34	FP-6136-27-8050	79, 80, 81, 82, 83, 84, 85, 86, 87, 88, 89, 90, 91, 92, 93, 94
FP-6127-26-8071	142, 143	FP-6130-41-4541	32, 33, 34	FP-6136-28-8010	27, 28, 29, 30, 35, 36, 37, 79, 80, 81, 82, 83, 84, 85, 86, 87, 88, 89, 90, 91, 92, 93, 94
FP-6127-27-8071	142, 143	FP-6130-41-4620	31, 32, 33, 34	FP-6136-29-8010	27, 28, 29, 30, 35, 36, 37, 79, 80, 81, 82, 83, 84, 85, 86, 87, 88, 89, 90, 91, 92, 93, 94
FP-6127-28-8071	142, 143	FP-6130-42-3110	27, 28, 29, 30, 31, 32, 33, 35, 36, 37	FP-6136-31-1010	79, 80, 81, 82, 83, 84, 85, 86, 87, 88, 89, 90, 91, 92, 93, 94
FP-6127-29-8071	142, 143	FP-6130-51-1002	32	FP-6136-31-2012	79, 82, 86
FP-6127-31-2030	142	FP-6130-51-9901	31, 32, 33, 34	FP-6136-31-2030	27, 28, 29, 30, 37, 79, 80, 81, 82, 86, 87, 93
FP-6127-31-2140	142	FP-6131-11-1812	31, 32, 33, 34	FP-6136-31-2112	79, 82, 86
FP-6127-31-2410	142, 143	FP-6131-12-1310	32, 33, 34	FP-6136-31-2410	27, 28, 29, 30, 37, 79, 80, 81, 82, 86, 87, 93
FP-6127-31-3042	142, 143	FP-6131-31-2100	32	FP-6136-31-3130	27, 28, 29, 35, 37, 79, 82, 83, 86, 88
FP-6127-31-3131	142, 143	FP-6131-31-2110	32	FP-6136-32-2010	27, 28, 29, 37, 80, 81, 87, 93
FP-6127-36-3042	142, 143	FP-6131-31-2301	32	FP-6136-32-2020	30
FP-6127-37-3042	142, 143	FP-6131-32-1101	31, 32, 33, 34	FP-6136-32-2110	27, 28, 29, 37, 80, 81, 87, 93
FP-6127-38-3042	142, 143	FP-6131-32-2120	33, 34	FP-6136-32-2120	30
FP-6127-39-3042	142, 143	FP-6131-32-2302	33, 34		
FP-6127-41-4113	142, 143	FP-6131-42-4110	33, 34		
FP-6127-41-4214	142, 143	FP-6131-42-4120	32		
FP-6127-41-4410	142, 143	FP-6131-52-1001	33, 34		
FP-6127-41-4522	142, 143	FP-6131-61-1202	32		
FP-6127-41-4541	142, 143	FP-6131-62-1205	33, 34		
FP-6127-41-5021	142, 143	FP-6131-K1-9901	31, 32, 33, 34		
FP-6128-21-4230	142, 143	FP-6132-11-5810	31, 32, 33, 34		
FP-6128-21-A222	142, 143	FP-6134-11-1320	27, 28, 29, 35, 36, 37, 79, 82, 83, 86, 88		
FP-6128-31-2050	143	FP-6134-11-3150	53, 57, 58, 59		
FP-6128-31-2060	142, 143	FP-6134-11-8810	27, 28, 29, 30, 35, 36, 37		
FP-6128-31-2070	142, 143	FP-6134-11-8810	27, 28, 29, 30, 35, 36, 37		
FP-6128-31-2140	143	FP-6134-21-5830	27, 28, 29, 30, 35, 36, 37		
FP-6128-41-5400	142, 143	FP-6134-21-8050	27, 28, 29, 30, 35, 36, 37, 79, 80, 81, 82, 83, 84, 85, 86, 87, 88, 89, 90, 91, 92, 93, 94		
FP-6128-K1-9901	142, 143	FP-6134-26-8050	27, 28, 29, 30, 35, 36, 37		
FP-6128-K2-9901	142, 143	FP-6134-27-8050	27, 28, 29, 30, 35, 36, 37		
FP-6128-K2-9902	142, 143	FP-6134-28-8050	27, 28, 29, 30, 35, 36, 37, 79, 80, 81, 82, 83, 84, 85, 86, 87, 88, 89, 90, 91, 92, 93, 94		
FP-6130-11-1131	31, 32, 33, 34	FP-6134-29-8050	27, 28, 29, 30, 35, 36, 37, 79, 80, 81, 82, 83, 84, 85, 86, 87, 88, 89, 90, 91, 92, 93, 94		
FP-6130-11-1323	31, 32, 33, 34	FP-6134-31-1100	27, 28, 29, 30, 35, 36, 37		
FP-6130-11-7821	31, 32, 33, 34	FP-6134-51-1000	27, 28, 35, 37		
FP-6130-19-1310	31, 32, 33, 34	FP-6134-51-1100	29		
FP-6130-21-1410	31, 32, 33, 34	FP-6134-52-1000	27		
FP-6130-21-1420	31, 32, 33, 34	FP-6134-52-1100	28, 29, 30, 36, 37		
FP-6130-21-1430	31, 32, 33, 34	FP-6134-61-1100	35, 36		
FP-6130-21-2213	32	FP-6134-61-1410	27, 28, 29, 30, 37		
FP-6130-21-2220	31, 32, 33, 34	FP-6134-K1-9901	27, 28, 29, 30, 37		
FP-6130-21-2230	31, 32, 33, 34	FP-6134-K2-9901	27, 28, 29, 30, 37		
FP-6130-21-3230	32	FP-6135-11-5810	27, 28, 29, 30, 35, 36, 37, 79, 80, 81, 82, 83, 84, 85, 86, 87, 88, 89, 90, 91, 92, 93, 94		
FP-6130-21-4231	27, 28, 29, 30, 31, 32, 33, 34, 35, 36, 79, 80, 81, 83, 84, 86, 87, 88, 89, 90, 91, 92, 94	FP-6135-12-1811	27, 28, 29, 30, 35, 36, 37		
FP-6130-21-5812	31, 32, 33, 34	FP-6135-K1-9901	35, 36		
FP-6130-21-8011	31, 32, 33, 34	FP-6135-K2-9901	35, 36		
FP-6130-21-8021	31, 32, 33, 34				
FP-6130-21-8500	31, 32, 33, 34				
FP-6130-22-2310	31, 33, 34				
FP-6130-22-3290	31, 33, 34				
FP-6130-22-4231	37, 82, 85, 93				
FP-6130-26-8101	31, 32, 33, 34				

Part No.	Line No.	Part No.	Line No.	Part No.	Line No.
FP-6136-32-3130	30, 36, 80, 81, 84, 85, 87, 89, 90, 91, 92, 93, 94	FP-6140-11-6331	1, 2, 3, 4, 5, 6, 7, 8, 9, 10, 31, 32, 33, 34, 38, 39, 40, 41, 42, 43, 44, 45, 46, 47, 48, 49, 50, 51	FP-6150-21-8010	111, 112, 113, 114, 115, 116, 117, 118, 119, 120, 121, 122, 123, 124, 125, 126, 127, 128, 129, 130, 131, 132, 133, 134, 135, 136, 137, 138, 139, 140, 141
FP-6136-41-4110	27, 28, 29, 35, 37, 79, 82, 83, 86, 88	FP-6140-41-4540	111, 113, 114, 115, 116, 117, 122, 124, 125, 129, 130, 136, 137, 138	FP-6150-21-8050	111, 112, 113, 114, 115, 116, 117, 118, 119, 120, 121, 122, 123, 124, 125, 126, 127, 128, 129, 130, 131, 132, 133, 134, 135, 136, 137, 138, 139, 140, 141
FP-6136-41-4211	27, 28, 29, 35, 37, 79, 82, 83, 86, 88	FP-6140-41-4570	118	FP-6150-22-6490	118, 119, 120, 121, 122, 123, 124, 125, 126, 127, 128, 129, 130, 131, 132, 133, 134, 135, 136, 137, 138, 139, 140, 141
FP-6136-41-4410	27, 28, 29, 35, 37, 79, 82, 83, 86, 88	FP-6141-21-1332	1, 2, 3, 4, 5, 6, 7, 8, 9, 10, 38, 39, 40, 41, 42, 43, 44, 45, 46, 47, 48, 49, 50, 51, 52	FP-6150-26-8010	111, 112, 113, 114, 115, 116, 117, 118, 119, 120, 121, 122, 123, 124, 125, 126, 127, 128, 129, 130, 131, 132, 133, 134, 135, 136, 137, 138, 139, 140, 141
FP-6136-41-4510	27, 28, 29, 35, 37, 79, 82, 86	FP-6150-11-1320	111, 112, 113, 114, 115, 116, 117, 118, 119, 120, 121, 122, 123, 124, 125, 126, 127, 128, 129, 130, 131, 132, 133, 134, 135, 136, 137, 138, 139, 140, 141	FP-6150-26-8050	111, 112, 113, 114, 115, 116, 117, 118, 119, 120, 121, 122, 123, 124, 125, 126, 127, 128, 129, 130, 131, 132, 133, 134, 135, 136, 137, 138, 139, 140, 141
FP-6136-41-4520	27, 28, 29, 35, 37, 79, 82, 83, 86, 88	FP-6150-11-5810	111, 112, 113, 114, 115, 116, 117, 118, 119, 120, 121, 122, 123, 124, 125, 126, 127, 128, 129, 130, 131, 132, 133, 134, 135, 136, 137, 138, 139, 140, 141	FP-6150-27-8010	111, 112, 113, 114, 115, 116, 117, 118, 119, 120, 121, 122, 123, 124, 125, 126, 127, 128, 129, 130, 131, 132, 133, 134, 135, 136, 137, 138, 139, 140, 141
FP-6136-41-4530	27, 28, 29, 30, 35, 36, 37, 79, 80, 81, 82, 83, 84, 85, 86, 87, 88, 89, 90, 91, 92, 93, 94	FP-6150-11-8810	111, 112, 113, 114, 115, 116, 117, 118, 119, 120, 121, 122, 123, 124, 125, 126, 127, 128, 129, 130, 131, 132, 133, 134, 135, 136, 137, 138, 139, 140, 141	FP-6150-27-8050	111, 112, 113, 114, 115, 116, 117, 118, 119, 120, 121, 122, 123, 124, 125, 126, 127, 128, 129, 130, 131, 132, 133, 134, 135, 136, 137, 138, 139, 140, 141
FP-6136-42-2111	79, 80, 81, 82, 83, 84, 85, 86, 87, 88, 89, 90, 91, 92, 93, 94	FP-6150-12-1341	111, 113, 114, 115, 116, 117, 122, 124, 125, 129, 130, 136, 137, 138	FP-6150-28-8010	111, 112, 113, 114, 115, 116, 117, 118, 119, 120, 121, 122, 123, 124, 125, 126, 127, 128, 129, 130, 131, 132, 133, 134, 135, 136, 137, 138, 139, 140, 141
FP-6136-42-3120	79, 80, 81, 82, 83, 84, 85, 86, 87, 88, 89, 90, 91, 92, 93, 94	FP-6150-12-1351	111, 113, 114, 115, 116, 117, 122, 124, 125, 129, 130, 136, 137, 138	FP-6150-28-8050	111, 112, 113, 114, 115, 116, 117, 118, 119, 120, 121, 122, 123, 124, 125, 126, 127, 128, 129, 130, 131, 132, 133, 134, 135, 136, 137, 138, 139, 140, 141
FP-6136-42-4110	30, 36, 80, 81, 84, 87, 90, 93	FP-6150-12-1370	112, 118, 119, 120, 121, 123, 126, 127, 128, 131, 132, 133, 134, 135, 139, 140, 141	FP-6150-29-8010	111, 112, 113, 114, 115, 116, 117, 118, 119, 120, 121, 122, 123, 124, 125, 126, 127, 128, 129, 130, 131, 132, 133, 134, 135, 136, 137, 138, 139, 140, 141
FP-6136-42-4211	30, 36, 80, 81, 84, 85, 87, 89, 90, 91, 92, 93, 94	FP-6150-12-1380	119, 123, 127, 131, 139, 141	FP-6150-29-8050	111, 112, 113, 114, 115, 116, 117, 118, 119, 120, 121, 122, 123, 124, 125, 126, 127, 128, 129, 130, 131, 132, 133, 134, 135, 136, 137, 138, 139, 140, 141
FP-6136-42-4410	30, 36, 80, 81, 84, 85, 87, 89, 90, 91, 92, 93, 94	FP-6150-12-1810	112	FP-6150-31-2012	111, 136
FP-6136-42-4510	27, 28, 29, 30, 36, 37, 80, 81, 83, 84, 85, 87, 88, 89, 90, 91, 92, 93, 94	FP-6150-13-4810	111, 112, 113, 114, 115, 116, 117, 118, 119, 120, 121, 122, 123, 124, 125, 126, 127, 128, 129, 130, 131, 132, 133, 134, 135, 136, 137, 138, 139, 140, 141	FP-6150-31-2033	111, 113, 114, 115, 116, 117, 122, 124, 125, 129, 130, 136, 137, 138
FP-6136-42-4520	30, 36, 80, 81, 84, 85, 87, 89, 90, 91, 92, 93, 94, 111, 112, 113, 114, 115, 116, 117, 118, 119, 120, 121, 122, 123, 124, 125, 126, 127, 128, 129, 130, 131, 132, 133, 134, 135, 136, 137, 138, 139, 140, 141	FP-6150-17-1813	111, 113, 114, 115, 116, 117, 122, 124, 125, 129, 130, 136, 137, 138	FP-6150-31-2112	111, 136
FP-6136-51-1002	79, 82, 83, 86, 88	FP-6150-21-1490	111, 112, 113, 114, 115, 116, 117, 118, 119, 120, 121, 122, 123, 124, 125, 126, 127, 128, 129, 130, 131, 132, 133, 134, 135, 136, 137, 138, 139, 140, 141	FP-6150-31-2410	111, 112, 136
FP-6136-52-1100	80, 81, 84, 85, 87, 89, 90, 91, 92, 93, 94	FP-6150-21-2230	111, 112, 113, 114, 115, 116, 117, 118, 119, 120, 121, 122, 123, 124, 125, 126, 127, 128, 129, 130, 131, 132, 133, 134, 135, 136, 137, 138, 139, 140, 141	FP-6150-31-2420	118
FP-6136-61-1102	81, 82, 86, 87, 88, 90, 91	FP-6150-21-2240	111, 112, 113, 114, 115, 116, 117, 118, 119, 120, 121, 122, 123, 124, 125, 126, 127, 128, 129, 130, 131, 132, 133, 134, 135, 136, 137, 138, 139, 140, 141	FP-6150-31-3040	111, 113, 114, 115, 116, 118, 119, 129, 131, 136, 139
FP-6136-61-1402	79, 80	FP-6150-21-2250	111, 112, 113, 114, 115, 116, 117, 118, 119, 120, 121, 122, 123, 124, 125, 126, 127, 128, 129, 130, 131, 132, 133, 134, 135, 136, 137, 138, 139, 140, 141	FP-6150-31-3130	111, 112, 113, 114, 117, 118, 119, 120, 121, 122, 123, 124, 125, 126, 127, 128, 130, 131, 132, 133, 134, 135, 136, 137, 138, 139, 140, 141
FP-6136-61-1501	89, 94	FP-6150-21-3230	111, 112, 113, 114, 115, 116, 117, 118, 119, 120, 121, 122, 123, 124, 125, 126, 127, 128, 129, 130, 131, 132, 133, 134, 135, 136, 137, 138, 139, 140, 141	FP-6150-32-2030	112, 118, 119, 120, 121, 123, 126, 127, 128, 131, 132, 133, 134, 135, 139, 140, 141
FP-6136-61-1601	83, 84, 93	FP-6150-21-5812	111, 112, 113, 114, 115, 116, 117, 118, 119, 120, 121, 122, 123, 124, 125, 126, 127, 128, 129, 130, 131, 132, 133, 134, 135, 136, 137, 138, 139, 140, 141	FP-6150-32-2110	112
FP-6136-61-1701	83, 84, 88, 90	FP-6150-21-8000	111, 112, 113, 114, 115, 116, 117, 118, 119, 120, 121, 122, 123, 124, 125, 126, 127, 128, 129, 130, 131, 132, 133, 134, 135, 136, 137, 138, 139, 140, 141	FP-6150-36-3040	111, 113, 114, 115, 116, 118, 119, 129, 131, 136, 139
FP-6136-62-1100	85			FP-6150-37-3040	111, 113, 114, 115, 116, 118, 119, 129, 131, 136, 139
FP-6136-K1-9901	79, 80, 81, 82, 86, 87, 93			FP-6150-38-3040	111, 113, 114, 115, 116, 118, 119, 129, 131, 136, 139
FP-6136-K2-9901	79, 80, 81, 82, 86, 87, 93			FP-6150-39-3040	111, 113, 114, 115, 116, 118, 119, 129, 131, 136, 139
FP-6137-12-1811	79, 82, 86				
FP-6137-22-2210	27, 28, 29, 30, 35, 36, 37, 79, 80, 81, 82, 83, 84, 85, 86, 87, 88, 89, 90, 91, 92, 93, 94				
FP-6137-31-2012	35, 83, 88				
FP-6137-31-2032	35, 36, 83, 84, 88, 90				
FP-6137-31-2040	85, 89, 91, 92, 94				
FP-6137-31-2112	35, 83, 88				
FP-6137-31-2410	35, 36, 83, 84, 85, 88, 89, 90, 91, 92, 94				
FP-6137-32-2010	36, 84, 85, 90				
FP-6137-32-2030	89, 91, 92, 94				
FP-6137-32-2110	36, 84, 85, 90				
FP-6137-32-2130	89, 91, 92, 94				
FP-6137-K1-9901	83, 84, 85, 88, 89, 90, 91, 92, 94				
FP-6137-K2-9901	83, 84, 85, 88, 89, 90, 91, 92, 94				
FP-6138-11-6810	52, 111, 113, 114, 115, 116, 117, 122, 124, 125, 129, 130, 136, 137, 138				
FP-6138-12-1310	85, 89, 91, 92, 94				
FP-6138-31-3040	27, 28, 29, 30, 35, 36, 37, 79, 80, 81, 82, 83, 84, 85, 86, 87, 88, 89, 90, 91, 92, 93, 94				
FP-6138-36-3040	27, 28, 29, 30, 37				
FP-6138-36-3050	35, 36, 79, 80, 81, 82, 83, 84, 85, 86, 87, 88, 89, 90, 91, 92, 93, 94				
FP-6138-37-3040	27, 28, 29, 30, 37				
FP-6138-37-3050	35, 36, 79, 80, 81, 82, 83, 84, 85, 86, 87, 88, 89, 90, 91, 92, 93, 94				
FP-6138-38-3040	27, 28, 29, 30, 37				
FP-6138-38-3050	35, 36, 79, 80, 81, 82, 83, 84, 85, 86, 87, 88, 89, 90, 91, 92, 93, 94				
FP-6138-39-3040	27, 28, 29, 30, 37				
FP-6138-39-3050	35, 36, 79, 80, 81, 82, 83, 84, 85, 86, 87, 88, 89, 90, 91, 92, 93, 94				
FP-6138-42-4110	85, 89, 91, 92, 94				
FP-6138-61-1401	92				

Numerical List



Part No.	Line No.	Part No.	Line No.	Part No.	Line No.
FP-6150-41-3111	112, 113, 114, 115, 116, 117, 118, 119, 120, 121, 122, 123, 124, 125, 126, 127, 128, 129, 130, 131, 132, 133, 134, 135, 137, 138, 139, 140, 141	FP-6151-36-3040	112, 117, 120, 121, 122, 123, 124, 125, 126, 127, 128, 130, 132, 133, 134, 135, 137, 138, 140, 141	FP-6204-26-8600	1, 2, 3, 4, 5, 6, 7, 8, 9, 10
FP-6150-41-4111	111, 113, 114, 115, 116, 117, 122, 124, 125, 129, 130, 136, 137, 138	FP-6151-37-3040	112, 117, 120, 121, 122, 123, 124, 125, 126, 127, 128, 130, 132, 133, 134, 135, 137, 138, 140, 141	FP-6204-27-8100	1, 2, 3, 4, 5, 6, 7, 8, 9, 10, 38, 39, 40, 41, 42, 43, 44, 45, 46, 47, 48, 49, 50, 51, 52
FP-6150-41-4210	111, 113, 114, 115, 116, 117, 122, 124, 129, 130, 136, 137, 138	FP-6151-38-3040	112, 117, 120, 121, 122, 123, 124, 125, 126, 127, 128, 130, 132, 133, 134, 135, 137, 138, 140, 141	FP-6204-27-8500	38, 39, 40, 41, 42, 43, 44, 45, 46, 47, 48, 49, 50, 51, 52
FP-6150-41-4230	125	FP-6151-39-3040	112, 117, 120, 121, 122, 123, 124, 125, 126, 127, 128, 130, 132, 133, 134, 135, 137, 138, 140, 141	FP-6204-27-8600	1, 2, 3, 4, 5, 6, 7, 8, 9, 10
FP-6150-41-4411	111, 113, 114, 115, 116, 117, 122, 124, 129, 130, 136, 137, 138	FP-6151-41-3111	111, 136	FP-6204-28-8100	1, 2, 3, 4, 5, 6, 7, 8, 9, 10, 38, 39, 40, 41, 42, 43, 44, 45, 46, 47, 48, 49, 50, 51, 52
FP-6150-41-4420	113, 115, 116, 117, 122, 124, 125, 129, 130, 137, 138	FP-6151-51-1005	113, 114, 115, 116, 117, 118, 119, 120, 121, 122, 124, 125, 126, 128, 129, 130, 131, 132, 133, 134, 135, 137, 138, 139, 140	FP-6204-28-8500	38, 39, 40, 41, 42, 43, 44, 45, 46, 47, 48, 49, 50, 51, 52
FP-6150-41-4430	111, 112, 113, 114, 115, 116, 117, 118, 119, 120, 121, 122, 123, 124, 125, 126, 127, 128, 129, 130, 131, 132, 133, 134, 135, 136, 137, 138, 139, 140, 141	FP-6151-61-1121	113, 114, 115, 116, 122, 129	FP-6204-28-8600	1, 2, 3, 4, 5, 6, 7, 8, 9, 10
FP-6150-41-4450	112, 118, 119, 120, 121, 123, 125, 126, 127, 128, 131, 132, 133, 134, 135, 139, 140, 141	FP-6151-61-1122	137, 138	FP-6204-29-8100	1, 2, 3, 4, 5, 6, 7, 8, 9, 10, 38, 39, 40, 41, 42, 43, 44, 45, 46, 47, 48, 49, 50, 51, 52
FP-6150-41-4510	111, 112, 113, 114, 115, 116, 117, 118, 119, 120, 121, 122, 123, 124, 125, 126, 127, 128, 129, 130, 131, 132, 133, 134, 135, 136, 137, 138, 139, 140, 141	FP-6151-62-1104	112, 118, 120, 121, 126, 128, 132, 133, 134, 135, 140	FP-6204-29-8500	38, 39, 40, 41, 42, 43, 44, 45, 46, 47, 48, 49, 50, 51, 52
FP-6150-41-4570	112, 119, 120, 121, 123, 126, 127, 128, 131, 132, 133, 134, 135, 139, 140, 141	FP-6151-K1-9901	113, 114, 115, 116, 117, 124, 125, 129, 130, 137, 138	FP-6204-29-8600	3, 4, 5, 6, 9, 10
FP-6150-42-4110	112, 118, 119, 120, 121, 123, 126, 127, 128, 131, 132, 133, 134, 135, 139, 140, 141	FP-6151-K2-9901	113, 114, 115, 116, 117, 124, 125, 129, 130, 137, 138	FP-6204-31-1201	3, 4, 5, 6, 9, 10
FP-6150-42-4210	112, 118, 119, 120, 121, 123, 126, 127, 128, 131, 132, 133, 134, 135, 139, 140, 141	FP-6151-K6-9902	113, 114, 115, 116, 117, 124, 125, 129, 130, 137, 138	FP-6204-31-2121	3, 38, 40, 49
FP-6150-51-1004	111, 112, 136	FP-6152-31-2113	122	FP-6204-31-2141	6
FP-6150-61-1105	111, 136	FP-6152-32-2510	119, 120, 121, 123, 126, 127, 128, 131, 132, 133, 134, 135, 139, 140, 141	FP-6204-31-2203	2, 3, 4, 5, 38, 39, 40, 47, 49, 50
FP-6150-K1-9901	111, 136	FP-6152-61-1102	119, 131, 139	FP-6204-31-2410	47, 49, 50
FP-6150-K2-9901	111, 136	FP-6152-K1-9901	122	FP-6204-31-3130	1, 2, 3, 4, 5, 6, 10, 38, 39, 40, 47, 49, 50
FP-6150-K6-9901	111, 136	FP-6152-K2-9901	122	FP-6204-32-2161	10
FP-6151-11-1330	111, 112, 113, 114, 115, 116, 117, 118, 120, 121, 122, 124, 125, 126, 128, 129, 130, 132, 133, 134, 135, 136, 137, 139, 140, 141	FP-6152-K6-1200	122	FP-6204-41-2110	1, 2, 3, 4, 5, 6, 7, 8, 9, 10, 38, 39, 40, 41, 42, 43, 44, 45, 46, 47, 48, 49, 50, 51, 52
FP-6151-12-1810	118, 119, 120, 121, 123, 126, 127, 128, 131, 132, 133, 134, 135, 139, 140, 141	FP-6153-K1-9900	112	FP-6204-41-3110	1, 2, 3, 4, 5, 6, 7, 8, 9, 10, 38, 39, 40, 41, 42, 43, 44, 45, 46, 47, 48, 49, 50, 51, 52
FP-6151-21-4150	138	FP-6153-K2-9900	112	FP-6204-41-4210	1, 2, 3, 4, 5, 6, 9, 10, 38, 39, 40, 41, 47, 48, 49, 50, 51
FP-6151-21-4161	111, 112, 113, 114, 115, 116, 117, 118, 119, 120, 121, 122, 123, 124, 125, 126, 127, 128, 129, 130, 131, 132, 133, 134, 135, 136, 137, 139, 140, 141	FP-6154-21-2220	119, 123, 127, 131, 139, 141	FP-6204-41-4410	1, 2, 9, 38, 39, 40, 47, 49, 50
FP-6151-22-2220	111, 112, 113, 114, 115, 116, 117, 118, 120, 121, 122, 124, 125, 126, 128, 129, 130, 132, 133, 134, 135, 136, 137, 138, 140	FP-6154-51-1000	123, 127, 141	FP-6204-41-4431	3, 4, 5, 6, 7, 8, 10, 41, 42, 43, 44, 45, 46, 48, 51, 52
FP-6151-31-2012	117, 124, 125, 130, 137, 138	FP-6154-61-1102	123, 127, 141	FP-6204-41-4510	1, 2, 3, 4, 5, 6, 7, 8, 9, 10, 38, 39, 40, 41, 42, 43, 44, 45, 46, 47, 48, 49, 50, 51, 52
FP-6151-31-2060	113, 114, 115	FP-6154-K1-9900	118, 119, 120, 121, 128, 132	FP-6204-41-4520	1, 2, 3, 4, 5, 6, 7, 8, 9, 10, 38, 39, 40, 41, 42, 43, 44, 45, 46, 47, 48, 49, 50, 51, 52
FP-6151-31-2071	116, 129	FP-6154-K2-9900	118, 119, 120, 121, 132, 134	FP-6204-41-4540	1, 2, 3, 4, 5, 6, 7, 8, 10, 38, 39, 40, 41, 42, 43, 44, 45, 46, 47, 48, 49, 50, 51, 52
FP-6151-31-2150	113, 114, 115	FP-6155-K1-9900	126, 131, 133, 135, 139, 140	FP-6204-41-4541	9
FP-6151-31-2171	116, 129	FP-6155-K2-9900	126, 128, 131, 133, 135, 139, 140	FP-6204-51-1201	1, 2, 3, 4, 5, 6, 7, 10
FP-6151-31-2410	117, 119, 120, 121, 122, 123, 124, 125, 126, 127, 128, 130, 131, 132, 133, 134, 135, 137, 138, 139, 140, 141	FP-6155-K6-9900	112, 118, 119, 120, 121, 126, 128, 131, 132, 133, 134, 135, 139, 140	FP-6204-61-1104	3, 10
FP-6151-31-2420	113, 114, 115, 116, 129	FP-6159-K1-9900	123, 127, 141	FP-6204-61-1304	1, 2
FP-6151-31-2710	117, 124, 125, 130, 137, 138	FP-6159-K2-9900	123, 127, 141	FP-6204-K1-0901	4, 5, 6, 9
FP-6151-31-3040	112, 117, 120, 121, 122, 123, 124, 125, 126, 127, 128, 130, 132, 133, 134, 135, 137, 138, 140, 141	FP-6159-K6-9900	123, 127, 141	FP-6204-K1-9901	3, 10
FP-6151-31-3230	115, 116, 129	FP-6202-31-1100	1, 2	FP-6204-K2-0901	3, 5, 6, 9, 10
FP-6151-32-2110	118	FP-6202-32-2140	1	FP-6204-K2-9901	4
FP-6151-35-1010	111, 112, 113, 114, 115, 116, 117, 118, 119, 120, 121, 122, 123, 124, 125, 126, 127, 128, 129, 130, 131, 132, 133, 134, 135, 136, 137, 138, 139, 140, 141	FP-6202-32-2202	10	FP-6205-11-1830	2
		FP-6202-32-2300	1	FP-6205-11-5810	1, 2, 3, 4, 5, 6, 7, 8, 9, 10
		FP-6202-33-2160	2	FP-6205-31-1201	7, 8
		FP-6202-K1-0900	2	FP-6205-31-2190	9
		FP-6202-K1-9901	1	FP-6205-31-2200	6
		FP-6202-K2-0901	1, 2, 47	FP-6205-61-1202	9
		FP-6204-11-1440	1, 2, 3, 4, 5, 6, 10, 38, 39, 40, 41, 47, 48, 49, 50, 51	FP-6205-61-1204	6
		FP-6204-11-1830	1, 3, 4, 5, 6, 7, 8, 9, 10	FP-6205-K1-2104	7, 8
		FP-6204-11-8810	1, 2, 3, 4, 5, 6, 7, 8, 9, 10	FP-6205-K2-2104	7, 8
		FP-6204-19-1310	1, 2, 3, 4, 5, 6, 7, 8, 9, 10, 38, 39, 40, 41, 42, 43, 44, 45, 46, 47, 48, 49, 50, 51, 52	FP-6206-11-1830	38, 39, 40, 41, 42, 43, 44, 45, 46, 47, 48, 49, 50, 51, 52
		FP-6204-21-3510	1, 2, 3, 4, 5, 6, 7, 8, 9, 10, 38, 39, 40, 41, 42, 43, 44, 45, 46, 47, 48, 49, 50, 51, 52	FP-6206-11-8810	38, 39, 40, 41, 42, 43, 44, 45, 46, 47, 48, 49, 50, 51, 52
		FP-6204-21-8100	1, 2, 3, 4, 5, 6, 7, 8, 9, 10, 38, 39, 40, 41, 42, 43, 44, 45, 46, 47, 48, 49, 50, 51, 52	FP-6206-21-1420	1, 2, 3, 4, 5, 6, 7, 8, 9, 10, 38, 39, 40, 41, 42, 43, 44, 45, 46, 47, 48, 49, 50, 51, 52
		FP-6204-21-8500	38, 39, 40, 41, 42, 43, 44, 45, 46, 47, 48, 49, 50, 51, 52	FP-6206-21-1430	1, 2, 3, 4, 5, 6, 7, 8, 9, 10, 38, 39, 40, 41, 42, 43, 44, 45, 46, 47, 48, 49, 50, 51, 52
		FP-6204-21-8600	1, 2, 3, 4, 5, 6, 7, 8, 9, 10	FP-6206-21-5812	38, 40, 43, 49
		FP-6204-26-8100	1, 2, 3, 4, 5, 6, 7, 8, 9, 10, 38, 39, 40, 41, 42, 43, 44, 45, 46, 47, 48, 49, 50, 51, 52	FP-6206-33-2140	4, 39, 47
		FP-6204-26-8500	38, 39, 40, 41, 42, 43, 44, 45, 46, 47, 48, 49, 50, 51, 52	FP-6206-33-2141	5, 50
				FP-6206-51-1201	38, 39, 40, 47, 49, 50
				FP-6206-61-1104	4, 5, 7, 8, 40, 41, 43, 44, 48, 49, 51
				FP-6206-61-1505	38, 39, 47, 50
				FP-6206-K1-9901	38, 39, 40, 49, 50

Part No.	Line No.	Part No.	Line No.	Part No.	Line No.
FP-6206-K2-0901	38, 39, 40, 49, 50	FP-6731-31-2410	12, 14, 15, 16, 17, 18, 19, 20, 21, 22, 23, 24, 25, 26, 53, 54, 55, 56, 58, 60, 61, 62, 63, 64, 65, 66, 67, 68, 72, 73, 74, 76, 77, 78	FP-6732-41-4510	11, 12, 13, 14, 15, 16, 17, 18, 19, 20, 21, 22, 23, 24, 25, 26, 53, 54, 55, 56, 57, 58, 59, 60, 61, 62, 63, 64, 65, 66, 67, 68, 69, 70, 71, 72, 73, 74, 75, 76, 77, 78
FP-6207-11-1430	1, 2, 38, 39, 40, 41, 47, 48, 49, 50, 51	FP-6731-51-1111	53, 54, 55, 56, 57, 58, 59, 60, 61, 62, 63, 64, 65, 66, 67, 68, 69, 70, 71, 72, 73, 74, 75, 76, 77, 78	FP-6732-41-4520	11, 12, 13, 14, 15, 16, 17, 18, 19, 20, 21, 22, 23, 24, 25, 26, 53, 54, 55, 56, 57, 58, 59, 60, 61, 62, 63, 64, 65, 66, 67, 68, 69, 70, 71, 72, 73, 74, 75, 76, 77, 78
FP-6207-11-1440	7, 8	FP-6732-01-1140	11, 12, 13, 14, 15, 16, 17, 18, 19, 20, 21, 22, 23, 24, 25, 26	FP-6732-41-4540	11, 12, 13, 14, 15, 16, 17, 18, 19, 20, 21, 22, 23, 24, 25, 26, 53, 54, 55, 56, 57, 58, 59, 60, 61, 62, 63, 64, 65, 66, 67, 68, 69, 70, 71, 72, 73, 74, 75, 76, 77, 78
FP-6207-11-5810	38, 39, 40, 41, 42, 43, 44, 45, 46, 47, 48, 49, 50, 51, 52	FP-6732-11-1151	11, 12, 13, 14, 15, 16, 17, 18, 19, 20, 21, 22, 23, 24, 25, 26	FP-6732-51-1112	11, 12, 13, 14, 15, 17, 18, 19, 20, 21, 22, 23, 24, 25, 26
FP-6207-21-2121	1, 2, 3, 4, 5, 6, 7, 8, 9, 10, 38, 39, 40, 41, 42, 43, 44, 45, 46, 47, 48, 49, 50, 51, 52	FP-6732-11-1170	11, 12, 13, 14, 15, 16, 17, 18, 19, 20, 21, 22, 23, 24, 25, 26, 53, 54, 55, 56, 57, 58, 59, 60, 61, 62, 63, 64, 65, 66, 67, 68, 69, 70, 71, 72, 73, 74, 75, 76, 77, 78	FP-6732-61-1620	14, 15, 16, 17, 18, 19, 20, 21, 23, 25, 26, 53, 54, 55, 56, 57, 58, 59, 60, 61, 62, 63, 64, 65, 66, 67, 68, 69, 70, 71, 72, 73, 74, 75, 76, 77, 78
FP-6207-31-1100	38, 39, 40, 41, 42, 43, 44, 45, 46, 47, 48, 49, 50, 51, 52	FP-6732-11-1180	11, 12, 13, 14, 15, 16, 17, 18, 19, 20, 21, 22, 23, 24, 25, 26, 53, 54, 55, 56, 57, 58, 59, 60, 61, 62, 63, 64, 65, 66, 67, 68, 69, 70, 71, 72, 73, 74, 75, 76, 77, 78	FP-6732-61-6240	11, 12, 13, 14, 15, 16, 17, 18, 19, 20, 21, 22, 23, 24, 25, 26, 53, 54, 55, 56, 57, 58, 59, 60, 61, 62, 63, 64, 65, 66, 67, 68, 69, 70, 71, 72, 73, 74, 75, 76, 77, 78
FP-6207-31-2120	41, 48, 51	FP-6732-11-3120	54, 60, 66, 72, 76, 78	FP-6733-11-3100	15, 19, 21, 26, 61, 65, 67, 68, 73, 77
FP-6207-31-2121	8, 52	FP-6732-11-3140	54, 60, 66, 72, 76, 78	FP-6733-11-3110	22
FP-6207-31-2141	7, 43	FP-6732-11-3220	14, 17, 20, 25	FP-6733-11-4861	11, 12, 13, 14, 15, 16, 17, 18, 19, 20, 21, 22, 23, 24, 25, 26
FP-6207-31-2180	42	FP-6732-11-3230	14, 17, 20, 25	FP-6733-31-2110	22, 64, 65, 74
FP-6207-31-2200	41, 48, 51	FP-6732-11-3250	18	FP-6733-31-2120	22
FP-6207-31-2300	9	FP-6732-11-3260	18	FP-6734-11-3150	62, 63
FP-6207-31-2410	41, 48, 51	FP-6732-11-8181	11, 12, 13, 14, 15, 16, 17, 18, 19, 20, 21, 22, 23, 24, 25, 26, 53, 54, 55, 56, 57, 58, 59, 60, 61, 62, 63, 64, 65, 66, 67, 68, 69, 70, 71, 72, 73, 74, 75, 76, 77, 78	FP-6735-01-1210	53, 54, 55, 56, 57, 58, 59, 60, 61, 62, 63, 64, 65, 66, 67, 68, 69, 70, 71, 72, 73, 74, 75, 76, 77, 78
FP-6207-31-2420	7, 8, 42, 43, 44, 45, 46, 52	FP-6732-21-1410	11, 13, 14, 15, 17, 18, 19, 20, 21, 24, 25, 26, 53, 54, 55, 56, 57, 58, 59, 60, 61, 62, 63, 64, 65, 66, 67, 68, 70, 71, 72, 73, 74, 75, 76, 77, 78	FP-6735-01-3110	24, 57, 59, 70, 71, 75
FP-6207-31-2501	7, 8, 43, 44, 52	FP-6732-21-1411	12, 14, 15, 16, 17, 18, 19, 20, 21, 22, 23, 25, 26, 53, 54, 55, 56, 58, 60, 61, 64, 65, 66, 67, 68, 69, 72, 73, 74, 76, 77, 78	FP-6735-11-1821	53, 54, 55, 56, 57, 58, 59, 60, 61, 62, 63, 64, 65, 66, 67, 68, 69, 70, 71, 72, 73, 74, 75, 76, 77, 78
FP-6207-31-3130	7, 41, 43, 44, 48, 51	FP-6732-25-8100	11, 12, 13, 14, 15, 16, 17, 18, 19, 20, 21, 22, 23, 24, 25, 26	FP-6735-11-3120	53, 57, 58, 59
FP-6207-31-3300	1, 2, 3, 4, 5, 6, 7, 10, 38, 39, 40, 41, 43, 44, 47, 48, 49, 50, 51	FP-6732-26-8100	11, 12, 13, 14, 15, 16, 17, 18, 19, 20, 21, 22, 23, 24, 25, 26	FP-6735-11-3130	56
FP-6207-31-3530	8, 9, 42, 45, 46, 52	FP-6732-27-8100	11, 12, 13, 14, 15, 16, 17, 18, 19, 20, 21, 22, 23, 24, 25, 26	FP-6735-11-3160	12, 15, 19, 21, 26, 61, 64, 65, 67, 73, 74, 77
FP-6207-31-3600	8, 9, 42, 45, 46, 52	FP-6732-28-8100	11, 12, 13, 14, 15, 16, 17, 18, 19, 20, 21, 22, 23, 24, 25, 26	FP-6735-11-4811	62, 63, 69
FP-6207-36-3300	1, 2, 3, 4, 5, 6, 7, 10, 38, 39, 40, 41, 43, 44, 47, 48, 49, 50, 51	FP-6732-29-8110	11, 12, 13, 14, 15, 16, 17, 18, 19, 20, 21, 22, 23, 24, 25, 26	FP-6735-11-4812	53, 54, 55, 56, 57, 58, 59, 60, 61, 64, 65, 66, 67, 68, 70, 71, 72, 73, 74, 75, 76, 77, 78
FP-6207-36-3600	8, 9, 42, 45, 46, 52	FP-6732-31-1100	11, 12, 13, 14, 15, 16, 17, 18, 19, 20, 21, 22, 23, 24, 25, 26	FP-6735-21-5661	53, 54, 55, 56, 57, 58, 59, 60, 61, 62, 63, 64, 65, 66, 67, 68, 69, 70, 71, 72, 73, 74, 75, 76, 77, 78
FP-6207-37-3300	1, 2, 3, 4, 5, 6, 7, 10, 38, 39, 40, 41, 43, 44, 47, 48, 49, 50, 51	FP-6732-31-2280	22	FP-6735-21-8100	53, 54, 55, 56, 57, 58, 59, 60, 61, 62, 63, 64, 65, 66, 67, 68, 69, 70, 71, 72, 73, 74, 75, 76, 77, 78
FP-6207-37-3600	8, 9, 42, 45, 46, 52	FP-6732-31-2410	12, 14, 15, 16, 17, 18, 19, 20, 21, 22, 23, 24, 25, 26, 53, 54, 55, 56, 58, 60, 61, 62, 63, 64, 65, 66, 67, 68, 69, 70, 71, 72, 73, 74, 75, 76, 77, 78	FP-6735-31-2040	11, 13
FP-6207-38-3300	1, 2, 3, 4, 5, 6, 7, 10, 38, 39, 40, 41, 43, 44, 47, 48, 49, 50, 51	FP-6732-31-2420	12, 14, 15, 16, 17, 18, 19, 20, 21, 22, 23, 24, 25, 26, 53, 54, 55, 56, 58, 60, 61, 62, 63, 64, 65, 66, 67, 68, 69, 70, 71, 72, 73, 74, 75, 76, 77, 78	FP-6735-31-2070	11, 13
FP-6207-38-3600	8, 9, 42, 45, 46, 52	FP-6732-31-3131	11, 12, 13, 14, 15, 16, 17, 18, 19, 20, 21, 22, 23, 24, 25, 26, 53, 54, 55, 56, 57, 58, 59, 60, 61, 62, 63, 64, 65, 66, 67, 68, 69, 70, 71, 72, 73, 74, 75, 76, 77, 78	FP-6735-31-2111	14, 15, 17, 18, 19, 20, 21, 25, 26, 53, 54, 55, 56, 58, 60, 61, 66, 67, 68, 72, 73, 76, 77, 78
FP-6207-39-3300	1, 2, 3, 4, 5, 6, 7, 10, 38, 39, 40, 41, 43, 44, 47, 48, 49, 50, 51	FP-6732-41-2112	11, 12, 13, 14, 15, 16, 17, 18, 19, 20, 21, 22, 23, 24, 25, 26, 53, 54, 55, 56, 57, 58, 59, 60, 61, 62, 63, 64, 65, 66, 67, 68, 69, 70, 71, 72, 73, 74, 75, 76, 77, 78	FP-6735-31-2140	14, 15, 17, 18, 19, 20, 21, 25, 26, 53, 54, 55, 56, 58, 60, 61, 66, 67, 68, 72, 73, 76, 77, 78
FP-6207-39-3600	8, 9, 42, 45, 46, 52	FP-6732-41-4430	105, 106, 107, 108, 109, 110	FP-6735-61-1690	11, 12, 13, 21, 22, 24, 53, 55, 56, 57, 58, 59, 60, 61, 66, 67, 68, 70, 71, 72, 73, 75, 76, 77, 78
FP-6207-41-4110	1, 2, 3, 4, 5, 6, 9, 10, 38, 39, 40, 41, 47, 48, 49, 50, 51	FP-6732-41-4430	11, 12, 13, 14, 15, 16, 17, 18, 19, 20, 21, 22, 23, 24, 25, 26, 53, 54, 55, 56, 57, 58, 59, 60, 61, 62, 63, 64, 65, 66, 67, 68, 69, 70, 71, 72, 73, 74, 75, 76, 77, 78	FP-6735-K2-3001	11, 12, 13, 14, 15, 16, 17, 18, 19, 20, 21, 22, 23, 24, 25, 26, 53, 54, 55, 56, 57, 58, 59, 60, 61, 62, 63, 64, 65, 66, 67, 68, 69, 70, 71, 72, 73, 74, 75, 76, 77, 78, 98, 99, 100, 101, 102, 103, 104, 105, 106, 107, 108, 109, 110
FP-6207-51-1201	8, 9, 41, 48, 51	FP-6731-11-3130	64, 74	FP-6736-11-3100	11, 24, 70, 71, 75
FP-6207-K1-9901	41, 42, 43, 44, 45, 46, 47, 48, 51, 52	FP-6731-11-3150	11, 24, 70, 71, 75	FP-6736-11-3130	62, 63
FP-6207-K2-0901	41, 48, 51, 52	FP-6731-11-3160	12		
FP-6207-K2-9901	42, 43, 44, 45, 46	FP-6731-11-3360	13		
FP-6209-11-1430	7, 8, 42, 43, 44, 45, 46, 52	FP-6731-11-9980	53, 54, 55, 56, 57, 58, 59, 60, 61, 62, 63, 64, 65, 66, 67, 68, 69, 70, 71, 72, 73, 74, 75, 76, 77, 78		
FP-6209-11-1440	42, 43, 44, 45, 46, 52				
FP-6209-31-2141	44				
FP-6209-31-2180	45, 46				
FP-6209-31-2400	42, 45, 46				
FP-6209-41-4110	7, 8, 42, 43, 44, 45, 46, 52				
FP-6209-41-4210	7, 8, 42, 43, 44, 45, 46, 52				
FP-6209-51-1201	43, 44, 52				
FP-6209-51-1700	42, 45, 46				
FP-6209-61-1100	42, 45, 46, 52				
FP-6210-61-6441	112				
FP-6731-11-3130	64, 74				
FP-6731-11-3150	11, 24, 70, 71, 75				
FP-6731-11-3160	12				
FP-6731-11-3360	13				
FP-6731-11-9980	53, 54, 55, 56, 57, 58, 59, 60, 61, 62, 63, 64, 65, 66, 67, 68, 69, 70, 71, 72, 73, 74, 75, 76, 77, 78				
FP-6731-11-9990	11, 12, 13, 14, 15, 16, 17, 18, 19, 20, 21, 22, 23, 24, 25, 26				
FP-6731-21-4220	11, 12, 13, 14, 15, 16, 17, 18, 19, 20, 21, 22, 23, 24, 25, 26, 53, 54, 55, 56, 57, 58, 59, 60, 61, 62, 63, 64, 65, 66, 67, 68, 69, 70, 71, 72, 73, 74, 75, 76, 77, 78				
FP-6731-21-8610	11, 12, 13, 14, 15, 16, 17, 18, 19, 20, 21, 22, 23, 24, 25, 26, 53, 54, 55, 56, 57, 58, 59, 60, 61, 62, 63, 64, 65, 66, 67, 68, 69, 70, 71, 72, 73, 74, 75, 76, 77, 78				
FP-6731-21-8620	53, 54, 55, 56, 57, 58, 59, 60, 61, 62, 63, 64, 65, 66, 67, 68, 69, 70, 71, 72, 73, 74, 75, 76, 77, 78				
FP-6731-31-2190	12				
FP-6731-31-2280	64, 65, 74				
FP-6731-31-2290	12				

Part No.	Line No.	Part No.	Line No.	Part No.	Line No.
FP-04065-03012	1, 2, 3, 4, 5, 6, 7, 8, 9, 10, 38, 39, 40, 41, 42, 43, 44, 45, 46, 47, 48, 49, 50, 51, 52				
FP-04065-04018	27, 28, 29, 30, 35, 36, 37, 79, 80, 81, 82, 83, 84, 85, 86, 87, 88, 89, 90, 91, 92, 93, 94				
FP-04065-04818	111, 112, 113, 114, 115, 116, 117, 118, 119, 120, 121, 122, 123, 124, 125, 126, 127, 128, 129, 130, 131, 132, 133, 134, 135, 136, 137, 138, 139, 140, 141				
FP-07000-72070	31				
FP-1241175H92	96, 100, 105				
FP-1241180H1	96, 100, 103, 105				
FP-1241223H2	95, 96, 97, 98, 99, 100, 101, 102, 103, 104, 105, 106, 107, 108, 109, 110				
FP-1241748H92	95, 97, 98, 99, 101, 102, 104, 106, 107, 108, 109, 110				
FP-1295691H91	100, 103				
FP-1295692H91	100				
FP-1295693H91	96, 105				
FP-1295706H91	103				
FP-1304902H91	95, 97, 98, 101, 102, 104, 107, 108, 109				
FP-1307230H91	95, 97, 101, 104, 107, 109				
FP-1307586H1	95, 96, 97, 98, 99, 100, 101, 102, 103, 104, 105, 106, 107, 108, 109, 110				
FP-1816593	1, 2, 3, 4, 5, 6, 7, 8, 9, 10, 11, 12, 13, 14, 15, 16, 17, 18, 19, 20, 21, 22, 23, 24, 25, 26, 38, 39, 40, 41, 42, 44, 45, 46, 47, 48, 49, 50, 51, 52				
FP-LK2120	41, 48, 51				
FP-LK2121	3, 38, 40, 49				
FP-LK2160	2				
FP-LK2161	10				
FP-LK2190	9				
FP-LK5159	98, 102, 108				
FP-LK6742	96, 105				
FP-LK6743	99, 110				
FP-LK32180	42				
FP-LK62112	79, 82, 86				
FP-LK72110	36, 84, 90				
FP-LK72121	8, 52				
FP-LK72141	7, 43				
FP-LK92141	44				
FP-LK92180	45, 46				
FP-LK302110	31				
FP-LK312110	32				
FP-LK312112	35, 83, 88				
FP-LK312141	6				
FP-LK322110	27, 28, 29, 37, 80, 81, 87, 93				
FP-LK322120	33, 34				
FP-LK322130	89, 91, 92, 94				
FP-LK322140	1				
FP-LK332140	4, 39, 47				
FP-LK332141	5, 50				
FP-LK362120	30				
FP-LK372110	85				
FP-LK502110	112				
FP-LK502112	111, 136				
FP-LK512110	118				
FP-LK512150	113, 114, 115				
FP-LK512171	116, 129				
FP-LK512710	117, 124, 125, 130, 137, 138				
FP-LK522113	122				
FP-LK522510	119, 120, 121, 123, 126, 127, 128, 131, 132, 133, 134, 135, 139, 140, 141				
FPLK612731-2140	142				
FPLK612831-2140	143				

Komatsu to Cummins Interchange



Komatsu Machine Models D60, D65, D75, D80A-12, D85A-12 - NH220 743 CID Cummins Engines

KOMATSU PART NUMBER	CUMMINS PART NUMBER	PART DESCRIPTION	KOMATSU PART NUMBER	CUMMINS PART NUMBER	PART DESCRIPTION
CYLINDER HEAD PARTS			OIL PAN PARTS		
FP-6610-41-4110	FP-150288	Valve, Intake	FP-6623-21-5811	FP-3031469	Oil Pan Gasket (411481)(178788)
FP-6610-41-4210	FP-144911	Valve, Exhaust	FP-6610-21-5670	FP-67963	Flange Gasket
FP-6600-01-3910	FP-S2037	Valve Keeper	FP-6610-21-7200	FP-107981	Oil Cap
FP-6610-41-4410	FP-111446	Valve Spring - Intake & Exhaust	FP-0201-02-0732	FP-103009	Bolt - oil pan to block
FP-6610-11-1310	FP-66890	Valve Guide - Intake & Exhaust	CRANKSHAFT PARTS		
FP-6610-11-1140	FP-123558	Valve Bridge Guide	FP-6623-31-1111	FP-3029341	Crankshaft (FP-6680-31-1011)
FP-6610-41-5620	FP-147389	Screw	FP-6610-21-8010	FP-3801260	Main Bearing Set STD
FP-6710-41-5630	FP-203131	Adjusting Screw Nut	FP-6610-29-8070	FP-3801261	Main Bearing Set .010"
FP-6610-11-1120	FP-69965	Valve Seat - Exhaust STD	FP-6610-28-8070	FP-3801262	Main Bearing Set .020"
FP-6610-19-1120	FP-69965+5	Valve Seat - Exhaust .005"	FP-6610-27-8070	FP-3801263	Main Bearing Set .030"
FP-6610-18-1120	FP-162333	Valve Seat - Exhaust .010"	FP-6610-29-8051	FP-3067568	Thrust Washer
FP-6610-17-1120	FP-69965+20	Valve Seat - Exhaust .020"	FP-6610-21-3520	FP-176927	Oil Seal - front crankshaft
FP-6610-16-1120	FP-69965+30	Valve Seat - Exhaust .030"	PISTON & CONNECTING ROD PARTS		
FP-6610-11-1130	FP-202605	Fuel Injector Sleeve	FP-6620-31-3120	FP-43067	Piston Pin Bushing
FP-6610-11-1081	FP-AR2883	Head Gasket	FP-6610-31-3311	FP-91953	Connecting Rod Bolt
FP-6610-11-1811	FP-107371	Head Gasket - Less Packing		FP-AR7383	Cylinder Kit Complete (199821)(200720)
FP-6610-11-1711	FP-129373	Miscellaneous Gasket - Lubricating Oil Pipe (FP6610-11-1710)		FP-AR7399	Cylinder Kit Complete (200710)
FP-6610-11-1840	FP-193949	FP- Grommet		FP-AR7510	Piston Kit w/Pin & Retainers (199821)
ROCKER ARM HOUSING PARTS				FP-AR7440	Piston Kit w/Pin & Retainers (200710)
FP-6610-41-5020	FP-3038904	Rocker Arm Shaft	FP-6657-31-2110	FP-199821	Piston Body w/o Pin (200720) (151850)(FP-6620-31-2110)
FP-6610-41-5220	FP-3038903	Rocker Shaft Plug	FP-6685-31-2111	FP-200710	Piston Body w/o Pin
FP-6610-41-5330	FP-140330	Rocker Lever Bushing - Intake & Exhaust Valves	FP-6620-31-2410	FP-203070	Piston Pin
FP-6710-41-5531	FP-218153	Rocker Lever Bushing - Injectors	FP-6610-31-2130	FP-175755	Piston Pin Retainer
FP-6610-41-5360	FP-S212	Adjusting Screw Nut	FP-6620-31-2020	FP-BM35080	Use 6 of FP-AR12098
FP-6610-41-5550	FP-168306	Rocker Lever Adjusting Screw	FP-6620-31-2030	FP-AR12098	Ring Set, Single Cylinder
FP-6610-11-7811	FP-194106	Rocker Housing to head Gasket	FP-6610-31-3411	FP-203670	Rod Bearing Half Upper/Lower (FP6610-31-3041 2 halves) STD
FP-6610-11-8810	FP-108692	Valve Cover Gasket	FP-6610-39-3411	FP-203671	Rod Bearing Half Upper/Lower (FP6610-39-3041 2 halves) .010"
WATER MANIFOLD PARTS			FP-6610-38-3411	FP-203672	Rod Bearing Half Upper/Lower (FP6610-38-3041 2 halves) .020"
FP-0289-30-5043	FP-70624	O-Ring	FP-6610-37-3411	FP-203673	Rod Bearing Half Upper/Lower (FP6610-37-3041 2 halves) .030"
FP-6610-11-6820	FP-160196	Rect. or Square Sealing Ring	CAMSHAFT & PARTS		
THERMOSTAT AND WATER CONNECTION			FP-6680-41-1111	FP-3801030	Camshaft
FP-6610-11-6500	FP-135675	Thermostat - 170 Degree	FP-6610-41-1230	FP-92351	Camshaft Thrust Washer
FP-6610-11-6450	FP-186780	Oil Seal	FP-6620-41-1150	FP-68193	Pipe Plug
FP-6620-11-6430	FP-70441	Thermostat Gasket	CAM FOLLOWER & PUSH ROD		
FP-6610-11-6330	FP-9221	Connection Gasket	FP-6610-41-2140	FP-3065125	Cam Follower Shaft
EXHAUST MANIFOLD PARTS			FP-6610-41-2120	FP-69736	Lock Screw
FP-6620-11-5810	FP-3020943	Exhaust Manifold Gasket	FP-6610-41-2330	FP-107738	Cam Follower Socket
FP-6150-11-5751	FP-139266	Exh. Outlet Connection Gasket	FP-6610-41-2420	FP-118377	Misc. FP-Diesel Bushing - Injector Cam
FP-6610-11-5220	FP-114638	Gasket Lock Plate	FP-6610-41-2320	FP-118378	Misc. FP-Diesel Bushing - Valve Cam
CYLINDER BLOCK PARTS			FP-6610-41-2450	FP-3017544	Fuel Injector Roller Pin
FP-6610-21-1040	FP-BM27253	Camshaft Bearing Set	FP-6610-41-2350	FP-68513	Valve Roller Pin
FP-6610-21-1410	FP-100670	Camshaft Bearing - Front	FP-6610-41-2370	FP-118939	Valve Lock Pin
FP-6610-21-1420	FP-157870	Camshaft Bearing - Rear & Intermediate	FP-6610-41-2440	FP-3062096	Injector Cam Roller
FP-6610-21-2022	FP-BM98224	Liner w/Sealing Rings	FP-6610-41-2340	FP-92601	Cam Follower Roller
FP-6610-21-2212	FP-184400	Liner w/o Sealing Ring	FP-6610-41-3020	FP-3046418	Push Rod - Exhaust Valve
FP-6610-21-2221	FP-216879	Sealing Ring, Liner	FP-6610-41-3030	FP-3046431	Push Rod - Injector
FP-6610-21-2250	FP-181449	Sealing Ring, Liner - silicone	FP-6610-41-3010	FP-3053377	Push Rod - Intake Valve
FP-6610-21-2240	FP-215983	Sealing Ring, Liner - crevice	FP-6610-41-2810	FP-120819	Cam Follower Gasket .026" (0.66mm)
FP-6610-21-6720	FP-3069098	Aftercooler Gasket	FP-6610-41-2820	FP-9266	Cam Follower Gasket .016" (0.35mm)
FP-6610-21-5670	FP-67963	Flange Gasket	FP-6610-41-2830	FP-9266A	Cam Follower Gasket .007" (0.17mm)
FP-6623-21-6770	FP-3069097	Hand Hole Gasket	REAR COVER PARTS		
FP-6610-21-1330	FP-3067616	Rear Cover Gasket	FP-6610-21-3511	FP-3004316	Oil Seal
FP-6610-21-1321	FP-3006737	Oil Seal	FP-6610-21-3120	FP-132770	Misc. FP-Diesel Bushing
GEAR CASE COVER PARTS			FP-6620-21-3240	FP-67270	O-Ring



Komatsu to Cummins Interchange

**Komatsu Machine Models D60, D65, D75, D80A-12,
D85A-12 - NH220 743 CID Cummins Engines**

KOMATSU PART NUMBER	CUMMINS PART NUMBER	PART DESCRIPTION
LUBE OIL PUMP PARTS		
FP-6610-51-1710	FP-109333	Oil Press. Reg. Low Pressure
FP-6110-51-1620	FP-133851	Miscellaneous Gasket - Cover to Body
FP-6610-51-1811	FP-3067613	Oil Pump Gasket
LUBE OIL COOLER & PARTS (D80A-12)		
FP-6620-61-5300	FP-110848	Oil Cooler Element 6 1/2"
FP-6620-61-5130	FP-3019116	O-Ring
FP-6620-61-5140	FP-110827	Snap Ring
FP-6610-61-5811	FP-3008017	Oil Cooler Gasket
PRESSURE TIMED FUEL INJECTION PUMP & PARTS		
FP-6610-71-1430	FP-70690	Fuel Injection Driver Tang
FP-6610-71-1411	FP-169660	Fuel Governor Plunger - Red - Class 0
FP-6610-79-1411	FP-169661	Fuel Governor Plunger - Blue - Class 1
FP-6610-78-1411	FP-169662	Fuel Governor Plunger - Green - Class 2
FP-6610-77-1411	FP-169663	Fuel Governor Plunger - Yellow - Class 3
FP-6610-76-1411	FP-169664	Fuel Governor Plunger - Brown - Class 4
FP-6610-75-1411	FP-169665	Fuel Governor Plunger - Black - Class 5
FP-6610-74-1411	FP-169666	Fuel Governor Plunger - Gray O/S - Class 6
FP-6610-73-1411	FP-169667	Fuel Governor Plunger - Purple O/S - Class 7
FP-6610-71-1451	FP-144302	Fuel Pump Spacer
FP-0289-10-2047	FP-145544	O-Ring
	FP-3046200	Fuel Pump Spider Jaw Coupling
FP-6610-71-2330	FP-100192	Fuel Pump Shaft
FP-6610-71-2340	FP-103036	Governor Gear
FP-6610-71-2121	FP-163944	Misc. FP-Diesel Bushing
FP-6610-71-2150	FP-144178	AFC Plunger
FP-6610-71-1821	FP-70705	Miscellaneous Gasket - Cover to Housing
FP-6610-71-2410	FP-100764	Miscellaneous Gasket
FP-6610-71-6570	FP-140923	Idle Spring Plunger Button
FP-6600-08-6181	FP-3010242	Transfer Pump Gasket Kit - AFC-VS
FP-6610-71-3520	FP-154087	Rect. or Square Sealing Ring
FP-6610-71-3530	FP-154088	Rect. or Square Sealing Ring
FP-6610-71-2750	FP-151900	O-Ring
FP-6610-71-2741	FP-139988	O-Ring
FP-6610-71-2771	FP-100099	O-Ring
FP-6610-71-3850	FP-3045986	O-Ring
FP-6610-71-4160	FP-129888	O-Ring
FP-6610-71-4240	FP-114791	O-Ring
FP-6610-71-2320	FP-3062676	Oil Seal
FP-6610-71-1320	FP-100478	O-Ring
FP-0289-10-2018	FP-43696A	O-Ring
FP-6610-71-1230	FP-181466	Lock Washer
FP-6610-71-3601	FP-149767	Fuel Injector Screen
FP-6610-71-3700	FP-137808	Fuel Injector Screen
FP-6620-71-2610	FP-100215	Fuel Pump Shaft
FP-6620-71-2640	FP-119363	Fuel Pump Gear
FP-6610-71-1610	FP-104087	Tachometer Drive Shaft
FP-6610-71-1620	FP-70723	Misc. FP-Diesel Bushing
FP-6610-71-1911	FP-70809	Oil Seal
FP-6610-71-1930	FP-70732	Tachometer Drive Gasket

KOMATSU PART NUMBER	CUMMINS PART NUMBER	PART DESCRIPTION
FUEL SHUTDOWN VALVE & PARTS		
	FP-3035342	Fuel Pump Valve - 12 Volt
	FP-3035344	Fuel Pump Valve - 24 Volt
	FP-3000266	Fuel Pump Shaft
	FP-3054610	Fuel Shutdown Solenoid - 24 Volt
	FP-3054611	Fuel Shutdown Solenoid - 12 Volt
FP-6610-71-4110	FP-134076	Fuel Shutdown Solenoid - 24 Volt (3021420)
FP-6610-71-4130	FP-129768	Fuel Pump Relief Valve Spring
FP-6610-71-4160	FP-129888	O-Ring
ACCESSORY DRIVE PARTS		
FP-6610-71-7120	FP-116391	Misc. FP- Diesel Bushing
FP-6610-71-7220	FP-142689	Accessory Gear
FP-6610-71-7230	FP-3026556	Thrust Washer
FP-6610-71-7240	FP-3026557	Accessory Drive Thrust Washer
FP-6610-71-7251	FP-3200287	Ring - Misc. Sealing
FUEL INJECTOR & PARTS		
FP-6620-11-3011	FP-BM68974PR	Fuel Injector Premium Rebuilt
FP-6620-11-3030	FP-BM68672	Fuel Injector Cup
FP-6610-11-3230	FP-62409	Injector Filter Cap Gasket - .0159" thick
FP-6610-11-3220	FP-193735	O-Ring
FP-6610-11-8320	FP-94262	Copper Washer
FP-6610-11-8350	FP-70854	Ring - Misc. Sealing
WATER PUMP & PARTS		
FP-6600-01-1221	FP-69289	Ball Bearing
FP-6600-01-1231	FP-177596	Ball Bearing
FP-6610-61-1810	FP-9097	Water Pump Gasket
FP-6610-61-1321	FP-201766	Water Pump Impeller
FP-6610-61-1511	FP-3029099	Water Pump Mech. Shaft Seal (replaces old style seal 3071085)
FP-6685-61-1020	FP-BM76506	Water Pump - Heavy Duty without pulley (6685-61-1024)
FP-6671-61-2420	FP-3005592	Fan Hub Spacer Gasket
FP-6610-61-2170	FP-106276	Oil Seal
GASKET SETS		
	PGC220K	Head Gasket Set
	PGNH220IF	In-Frame Gasket Set
	FP-3802077	Head Gasket Set
	FP-3802075	Conversion Gasket Set
IN-FRAME KIT		
	FP-NH220	In-Frame Overhaul Kit

Komatsu to Cummins Interchange



Komatsu Machine Models D80A-18, D85A-18, D95S-2 - NT855 Cummins Engines

KOMATSU PART NUMBER	CUMMINS PART NUMBER	PART DESCRIPTION
CYLINDER HEAD PARTS		
FP-6711-11-1010	FP-3041993	Cylinder Head Assembly - With Valves
FP-6711-11-1100	FP-3041992	Cylinder Head - Without Valves
FP-6710-11-1311	FP-3050369	Valve Guide - Intake & Exhaust
FP-6610-11-1140	FP-123558	Valve Bridge Guide
FP-6710-11-1120	FP-3017759	Valve Seat - Exhaust
FP-6711-11-1120	FP-200354	Valve Seat - Intake
FP-6710-11-1130	FP-3070486	Fuel Injector Sleeve
FP-6710-11-3220	FP-3007759	O-Ring
FP-6712-41-4110	FP-135957	Valve, Intake
FP-6710-41-4210	FP-145701	Valve, Exhaust
FP-6710-41-4530	FP-172034	Valve Spring Seat
FP-6710-41-4410	FP-211999	Valve Spring - Intake & Exhaust
FP-6710-41-4511	FP-170296	Valve Spring Retainer
FP-6710-41-3910	FP-127554	Valve Keeper
FP-6710-41-5610	FP-3030038	Crosshead Valve Assembly
FP-6610-41-5620	FP-147389	Screw
FP-6710-41-5630	FP-203131	Adjusting Screw Nut
FP-6710-11-1811	FP-3047402R1	Head Gasket w/grommets
FP-6610-11-1821	FP-193949	FP Cylinder Head Grommet
FP-6710-71-8310	FP-147100	Fuel Crossover Connection
FP-6710-11-1610	FP-209700	Cylinder Head Bolt
FP-6710-11-1650	FP-69699	Washer
FP-02720-20204	FP-S911B	Pipe Plug
FP-02720-20104	FP-S965E	Pipe Plug
FP-6710-71-8320	FP-70772	Bolt
FP-6710-71-8330	FP-131026	O-Ring

ROCKER ARM & HOUSING PARTS		
FP-6710-11-7021	FP-BM78589	Rocker Arm Housing (FP6710-11-7011)
FP-6710-11-7150	FP-175830	FP- Diesel Expansion Plug
FP-6710-11-7330	FP-168319	Rocker Arm Shaft Screw
FP-6610-41-5330	FP-140330	Misc. FP-Diesel Bushing
FP-6710-41-5351	FP-168306	Rocker Lever Adjusting Screw
FP-6710-41-5360	FP-S212	Adjusting Screw Nut
FP-6710-41-5531	FP-218153	Misc. FP-Diesel Bushing - Injector Rocker Lever
FP-6710-41-5540	FP-194037	Rocker Arm Socket
FP-6710-11-7810	FP-3017750	Rocker Housing Gasket - housing to head
FP-6710-11-8810	FP-3054841	Valve Cover Gasket

THERMOSTAT AND WATER CONNECTION		
FP-6004-21-6610	FP-204586	Thermostat
FP-6710-11-6451	FP-186780	Oil Seal
FP-6610-11-6330	FP-9221	Connection Gasket
FP-6711-11-6430	FP-208128	Thermostat Gasket

TURBOCHARGER PARTS		
FP-6711-82-9030	FP-3801101	Turbo Repair Kit
FP-6685-82-9151	FP-3038745	Turbo Bearing Housing
FP-6685-82-9110	FP-156420	Turbo Bushing
FP-6685-82-9160	FP-170510	Turbo Insert
FP-6685-82-9340	FP-S222A	Lock Nut
FP-6685-82-9261	FP-3034736	Split Seal
FP-6685-82-9311	FP-202377	Turbo Insulator Packing
FP-6685-82-9270	FP-71570	Turbocharger Heat Shield
FP-6711-82-9220	FP-211375	O-Ring
FP-6685-82-9351	FP-156444	Split Seal
FP-6685-82-9191	FP-202456	O-Ring
FP-6711-82-9190	FP-202457	O-Ring
FP-6685-82-9281	FP-194010	Bolt
FP-02300-10920	FP-S631	Washer
FP-6685-82-9180	FP-167299	Lock Nut
	FP-3801096	Turbo Repair Kit
FP-6685-82-9160	FP-170510	Turbo Insert

KOMATSU PART NUMBER	CUMMINS PART NUMBER	PART DESCRIPTION
TURBOCHARGER PARTS (CONT'D)		
FP-6685-82-9340	FP-S222A	Lock Nut
FP-6685-82-9261	FP-3034736	Split Seal
FP-6685-82-9311	FP-202377	Turbo Insulator Packing
FP-6685-82-9351	FP-156444	Split Seal
FP-6685-82-9191	FP-202456	O-Ring
FP-6685-82-9281	FP-194010	Bolt
FP-02300-10920	FP-S631	Washer
FP-6685-82-9180	FP-167299	Lock Nut
	FP-3803042	Turbo Repair Kit (3003807)
FP-6685-82-9110	FP-156420	Turbo Bushing
FP-6685-82-9160	FP-170510	Turbo Insert
FP-6685-82-9340	FP-S222A	Lock Nut
FP-6685-82-9261	FP-3034736	Split Seal
FP-6685-82-9311	FP-202377	Turbo Insulator Packing
FP-6711-82-9220	FP-211375	O-Ring
FP-6685-82-9191	FP-202456	O-Ring
FP-6711-82-9190	FP-202457	O-Ring
FP-6685-82-9281	FP-194010	Bolt
FP-02300-10920	FP-S631	Washer
FP-6685-82-9180	FP-167299	Lock Nut
FP-6711-82-9360	FP-214086	Turbine Wheel and Shaft
FP-6711-82-9321	FP-3002731	Turbo Compressor Wheel
FP-6711-82-9230	FP-216802	Wear Sleeve (FP6711-82-9231)

CYLINDER BLOCK PARTS		
FP-6610-21-1040	FP-BM27253	Camshaft Bearing Set
FP-6610-21-1410	FP-100670	Camshaft Bearing - #1 Front
FP-6610-21-1420	FP-157870	Camshaft Bearing #2 through 7
FP-6610-21-6720	FP-3069098	Aftercooler Gasket
FP-6623-21-6770	FP-3069097	Hand Hole Gasket
FP-6610-11-1410	FP-68445	Dowel Pin - grooved - head to block
FP-6610-21-1730	FP-60575	Dowel Pin - crankshaft
FP-6710-21-6800	FP-3013591	Piston Cooling Nozzle
FP-6710-21-2210	FP-3055099	Liner w/o Sealing Ring
FP-6710-21-2230	FP-3032874	Sealing Ring, Liner
FP-6712-21-2240	FP-215090	Sealing Ring, Liner - crevice
	FP-3801826	Liner w/Sealing Rings
FP-6623-21-5812	FP-3032861	Oil Pan Gasket

REAR COVER PARTS		
FP-6711-21-1320	FP-3006738	Oil Seal - rear - S/N 139838 (3001772)
FP-6710-21-1330	FP-3006737	Oil Seal - rear - S/N 163093 (211253)
FP-6610-21-1330	FP-3067616	Rear Cover Gasket
	FP-3006743	Redi-Sleeve - Rear

GEAR CASE COVER PARTS		
FP-6711-21-3511	FP-3020185	Oil Seal - Accessory Drive
FP-6711-29-3521	FP-3006736	Oil Seal - Front Gear Cover
FP-6710-21-3810	FP-3021704	Gear Cover Gasket

CRANKSHAFT PARTS		
FP-6710-31-1111	FP-3608833	Crankshaft
FP-6710-31-1121	FP-3014614	Crank Gear
FP-6610-21-8010	FP-3801260	Main Bearing Set STD
FP-6610-29-8070	FP-3801261	Main Bearing Set .010"
FP-6610-28-8070	FP-3801262	Main Bearing Set .020"
FP-6610-27-8070	FP-3801263	Main Bearing Set .030"
FP-6610-21-8051	FP-3067568	Thrust Washer - STD
FP-6127-31-8101	FP-211915	Vibration Damper

Komatsu Machine Models D80A-18, D85A-18, D95S-2 - NT855 Cummins Engines

KOMATSU PART NUMBER	CUMMINS PART NUMBER	PART DESCRIPTION	KOMATSU PART NUMBER	CUMMINS PART NUMBER	PART DESCRIPTION
PISTON & CONNECTING ROD PARTS			AUTO FUEL CONTROL FUEL INJECTION PUMP		
FP-6710-31-3022	FP-3013930	Connecting Rod, New		FP-3035342	Fuel Pump Valve 12 Volt
FP-6710-31-3120	FP-187420	Piston Pin Bushing		FP-3035344	Fuel Pump Valve 24 Volt
FP-02400-10513	FP-70550	Dowel Pin		FP-3035345	Fuel Shutdown Solenoid 12 Volt
FP-6710-31-3312	FP-219153	Connecting Rod Bolt	FP-6610-71-4020	FP-3035346	Fuel Shutdown Solenoid 24 Volt
FP-6712-31-3410	FP-203660	Rod Bearing Half Upper/Lower - Small Cam - STD		FP-134075	Fuel Shutdown Solenoid 12 Volt
FP-6712-39-3410	FP-203661	Rod Bearing Half Upper/Lower - Small Cam - .010"	FP-6610-71-4110	FP-134076	Fuel Shutdown Solenoid 24 Volt
FP-6712-38-3410	FP-203662	Rod Bearing Half Upper/Lower - Small Cam - .020"		FP-134077	Fuel Shutdown Solenoid 32 Volt
FP-6712-37-3410	FP-203663	Rod Bearing Half Upper/Lower - Small Cam - .030"		FP-3054610	Fuel Shutdown Solenoid 24 Volt (134074)
FP-6710-31-3411	FP-214950	Rod Bearing Half Upper/Lower - Big Cam - STD		FP-3054611	Fuel Shutdown Solenoid 12 Volt (134072)(3021092)
FP-6710-39-3411	FP-214651	Rod Bearing Half Upper/Lower - Big Cam - .010"	FP-6610-71-4130	FP-129768	Fuel Pump Relief Valve Spring
FP-6710-38-3411	FP-214952	Rod Bearing Half Upper/Lower - Big Cam - .020"	FP-6610-71-1230	FP-181466	Lock Washer
FP-6710-37-3411	FP-214953	Rod Bearing Half Upper/Lower - Big Cam - .030"		FP-3000266	Fuel Pump Shaft
FP-6710-31-2111	FP-3051557	Piston Body w/o Pin - 13.5:1 C/R		FP-3030970	Fuel Pump Injector Check Valve
FP-6711-31-2110	FP-3051555	Piston Body w/o Pin - 14.5:1 C/R		FP-3048294	Throttle Lever Long
	FP-3801393	Piston With Retainers - 13.5:1 C/R		FP-3048296	Throttle Lever Short
	FP-3801770	Piston With Retainers - 14.5:1 C/R		FP-3034215	Mechanical Fuel Pump 7/16" RH
	FP-3801781	Cylinder Kit Complete - 13.5:1 C/R		FP-3034216	Mechanical Fuel Pump 7/16" LH
	FP-3801779	Cylinder Kit Complete - 14.5:1 C/R		FP-3034217	Mechanical Fuel Pump 3/4" RH
FP-6710-31-2032	FP-3801056	Ring Set, Single Cylinder		FP-3034219	Mechanical Fuel Pump 1" RH
FP-6710-31-2410	FP-191970	Piston Pin		FP-3034220	Mechanical Fuel Pump 1" LH
FP-6610-31-2130	FP-175755	Piston Pin Retainer		FP-3034221	Mechanical Fuel Pump 1 1/4" RH
				FP-3034222	Mechanical Fuel Pump 1 1/4" LH
CAMSHAFT & PARTS				FP-167169	Fuel Pump Shaft 7/16"
FP-6685-41-1120	FP-3023177	Camshaft	FP-6620-71-2610	FP-100215	Fuel Pump Shaft 3/4"
FP-6610-41-1230	FP-92351	Camshaft Thrust Washer	FP-6711-71-2530	FP-100216	Fuel Pump Shaft 1"
FP-6710-41-1211	FP-215966	Cam Gear - 72 teeth		FP-100217	Fuel Pump Shaft 1 1/4"
CAM FOLLOWER & PUSH ROD				FP-175866	Fuel Pump Shaft 7/16"
FP-6610-41-2140	FP-3065125	Cam Follower Shaft	FP-6610-71-2521	FP-175864	Fuel Pump Shaft 3/4"
FP-6610-41-2120	FP-69736	Lock Screw	FP-6711-71-2540	FP-100133	Fuel Pump Shaft 1"
FP-6610-41-2420	FP-118377	Misc. FP-Diesel Bushing		FP-175865	Fuel Pump Shaft 1 1/4"
FP-6610-41-2320	FP-118378	Misc. FP-Diesel Bushing		FP-167166	Fuel Pump Gear 7/16"
FP-6610-41-2330	FP-107738	Cam Follower Socket	FP-6620-71-2641	FP-119363	Fuel Pump Gear 3/4" (FP6620-71-2640)
FP-6610-41-2340	FP-92601	Cam Follower Roller	FP-6711-71-2560	FP-170942	Fuel Pump Gear 1"
FP-6610-41-2440	FP-3062096	Injector Cam Roller		FP-119364	Fuel Pump Gear 1 1/4"
FP-6610-41-2450	FP-3017544	Fuel Injector Roller Pin	FP-6610-71-8190	FP-175836	Fuel Pump Check Valve
FP-6610-41-2350	FP-68513	Valve Roller Pin		FP-3033740	Fuel Pump Check Valve (Late Style)
FP-6610-41-2370	FP-118939	Valve Lock Pin		FP-3027633	Fuel Pump Thrust Bearing
FP-6710-41-3200	FP-3046418	Push Rod	FP-6610-71-1451	FP-144302	Fuel Pump Spacer
FP-6610-41-3300	FP-3046431	Push Rod	FP-6684-71-3811	FP-157088	Filter Cap, Fuel Pump
FP-6610-41-2810	FP-120819	Cam Follower Gasket - 0.80mm	FP-6610-71-3700	FP-137808	Fuel Injector Screen
FP-6610-41-2820	FP-9266	Cam Follower Gasket - 0.38mm		FP-146483	Fuel Pump Filter
FP-6610-41-2830	FP-9266A	Cam Follower Gasket - 0.18mm	FP-6610-71-3601	FP-149767	Fuel Injector Screen
LUBE OIL COOLER & PARTS				FP-200743	Fuel Injector Screen
FP-6711-61-5300	FP-3021581	Oil Cooler Element 12 1/2" (208149)	FP-6610-71-2410	FP-100764	Miscellaneous Gasket
FP-6712-51-1710	FP-127558	Oil Press. Reg. Low Pressure	FP-6710-71-1611	FP-212607	Tachometer Drive Shaft
FP-6610-81-4150	FP-67946	Washer	FP-6710-71-1630	FP-212602	Tachometer Gear
FP-6710-61-5140	FP-3006745	Snap Ring	FP-6710-71-1690	FP-S16052	Ball Bearing
FP-6710-61-5810	FP-3008017	Oil Cooler Gasket	FP-6610-71-2121	FP-163944	Misc. FP-Diesel Bushing
FP-6710-51-4810	FP-173368	Rect. or Square Sealing Ring	FP-6610-71-2150	FP-144178	AFC Plunger
			FP-6710-71-2321	FP-3009625	Oil Seal
				FP-3024991	Carrier, Governor Weight
			FP-6710-71-2831	FP-3021676	AFC Plunger
			FP-6710-71-2892	FP-3021068	FI Auto Fuel Control Barrel
				FP-145504	O-Ring
				FP-145505	O-Ring
			FP-6710-71-2880	FP-193734	O-Ring
			FP-6710-71-2330	FP-212601	Fuel Pump Shaft
			FP-6710-71-2340	FP-212605	Governor Gear
			FP-6710-71-2350	FP-212639	Coupling, Governor AFC
			FP-6710-71-2960	FP-214144	Needle Valve

Komatsu to Cummins Interchange



Komatsu Machine Models D80A-18, D85A-18, D95S-2 - NT855 Cummins Engines

KOMATSU PART NUMBER	CUMMINS PART NUMBER	PART DESCRIPTION
AUTO FUEL CONTROL FUEL INJECTION PUMP (CONT'D)		
FP-6710-71-1410	FP-203350	Fuel Governor Plunger
FP-6710-71-1420	FP-213395	FP- Diesel Expansion Plug
FP-6710-71-1430	FP-216524	FP- Diesel Expansion Plug
FP-6600-08-6181	FP-3010242	Transfer Pump Gasket Kit
	FP-43696A	O-Ring
FP-02890-01007	FP-68061A	O-Ring
	FP-70415	O-Ring
FP-6610-71-1821	FP-70705	Miscellaneous Gasket
FP-6610-71-2771	FP-100099	O-Ring
FP-6610-71-1320	FP-100478	O-Ring
FP-6610-71-2541	FP-110855	Fuel Pump Gasket
FP-6610-71-4240	FP-114791	O-Ring
FP-6610-71-4160	FP-129888	O-Ring
FP-6610-71-2741	FP-139988	O-Ring
FP-6610-71-2750	FP-151900	O-Ring
FP-6610-71-3520	FP-154087	Rect. or Square Sealing Ring
FP-6610-71-3530	FP-154088	Rect. or Square Sealing Ring
FP-6610-71-2760	FP-160514	Washer
FP-6610-71-4241	FP-190876	O-Ring
FP-6710-71-2410	FP-200998	Fuel Pump Housing Cover Gasket
FP-6710-71-1910	FP-212603	Oil Seal
	FP-213079	O-Ring
FP-6710-71-3150	FP-213768	O-Ring
FP-6710-71-2740	FP-3003156	Ring - Misc. Sealing
	FP-3042542	O-Ring
	FP-3044942	O-Ring
FP-6610-71-3850	FP-3045986	O-Ring
	FP-3046201	O-Ring
FP-6610-71-2120	FP-3062676	Oil Seal
	FP-3063052	Fuel Pump Housing Cover Gasket
	FP-3063053	Miscellaneous Gasket
	FP-3066914	O-Ring
	FP-3067897	Bolt
	FP-3069017	Fuel Pump Mounting Gasket
	FP-3069103	Fuel Pump Gasket

FULE PUMP DRIVE PARTS

FP-02720-20204	FP-S911B	Pipe Plug
FP-6610-71-7120	FP-116391	Misc. FP-Diesel Bushing
FP-6610-71-7241	FP-3026557	Accessory Drive Thrust Washer
FP-6610-71-7251	FP-3200287	Ring - Misc. Sealing
FP-6711-71-7211	FP-3000171	Accessory Drive Shaft
FP-6710-71-7311	FP-3000175	Fuel Pump Drive Coupling Hub
FP-6710-71-7520	FP-190397	Wear Sleeve
FP-6710-71-7810	FP-3069101	Accessory Drive Gasket
FP-6710-71-7860	FP-170664	Washer
FP-6710-71-7870	FP-202531	Ring - Misc. Sealing
FP-6710-71-7871	FP-3008947	Oil Seal
FP-6710-71-9130	FP-181213	Fitting

KOMATSU PART NUMBER	CUMMINS PART NUMBER	PART DESCRIPTION
FUEL INJECTOR & PARTS		
FP-6711-11-3011	FP-3054211	Fuel Injector - New
FP-6710-11-3020	FP-3018325	Fuel Injector Plunger & Barrel
FP-6711-11-3211	FP-3012537	Fuel Injector Cup
FP-6710-11-3110	FP-185139	Fuel Injector Adapter
FP-6710-11-3230	FP-193736	O-Ring
FP-6710-11-3250	FP-185138	Fuel Injector Retainer
FP-6710-11-3340	FP-191916	Fuel Injection Link
FP-6710-11-3350	FP-166009	Fuel Injector Spring
FP-6710-11-3360	FP-203426	Fuel Injector Roller Pin
FP-6710-11-3370	FP-167157	Fuel Injector Repair Parts - check ball
FP-6710-11-3381	FP-3008706	Fuel Injector Screen

WATER PUMP & PARTS

FP-6711-61-1101	FP-3801715	Water Pump - Heavy Duty (AR45090) (3000886) (FP6711-62-1102)
FP-6711-61-1312	FP-3050394	Water Pump Shaft
FP-6711-61-1320	FP-208134	Water Pump Impeller
FP-06000-06305	FP-S16073	Ball Bearing
FP-6676-62-1120	FP-S16255	Water Pump Retainer Ring
FP-6712-61-1120	FP-112302	Snap Ring
FP-6712-61-1130	FP-196844	Water Pump Spacer
FP-6711-61-1150	FP-203097	Wear Sleeve
FP-6710-61-1230	FP-130226	Water Pump Gasket
FP-6610-61-1511	FP-3029099	Water Pump Mech. Shaft Seal
FP-6711-61-1330	FP-3038997	Oil Seal
FP-6711-61-1340	FP-3038998	Oil Seal

GASKET SETS

FP-3801330	Head Gasket Set - Small Cam, STD FFC
FP-3801332	Head Gasket Set - Big Cam, W/MVT
FP-3801451	Head Gasket Set - Big Cam IV, NTC-400 & Below
FP-3801754	Head Gasket Set - Big Cam IV w/STC, MVT
FP-3014459	Conversion Gasket Set - FFC & Piston Cooling
FP-3801463	Conversion Gasket Set - Non-FFC & Piston Cooling
FP-3801464	Conversion Gasket Set - Non-FFC, WITH Piston Cooling



Komatsu to Cummins Interchange

**Komatsu Machine Models PC650, PC650LC-5, PC650SE-5,
HD325-5 - KT/KTA19-KT1150 Cummins Engines**

KOMATSU PART NUMBER	CUMMINS PART NUMBER	PART DESCRIPTION	KOMATSU PART NUMBER	CUMMINS PART NUMBER	PART DESCRIPTION
CYLINDER HEAD PARTS			CYLINDER BLOCK PARTS (CONT'D)		
	FP-3022340	Head Gasket	Thin Flange Thickness 0.305" to 0.306" - Flange Outside Diameter 7.400" to 7.402"		
FP-6720-11-1311	FP-3018818	Valve Guide - Intake & Exhaust (206286, 206907)		FP-3009549	Liner w/Sealing Rings STD Thin Flange w/block #3011409
	FP-3201311	Valve Guide - Intake & Exhaust (3021693)		FP-3007710	Liner w/o Sealing Ring STD Thin Flange w/block #3011409
FP-6720-41-4111	FP-207241	Valve, Intake		FP-3014668	Sealing Ring, Liner - lower
FP-6720-41-4211	FP-3035110	Valve, Exhaust		FP-3011076	Sealing Ring, Liner - upper
FP-6720-41-4410	FP-3629006	Valve Spring - Intake & Exhaust		FP-3081489	Sealing Ring, Liner - crevice
FP-6720-41-4520	FP-205091	Valve Keeper		FP-3014226	Flange Shim .007" use w/both thick and thin flanges
FP-6720-11-1140	FP-205169	Valve Bridge Guide		FP-3074559	Flange Shim .008" use w/both thick and thin flanges
FP-6610-41-5620	FP-147389	Screw		FP-3014228	Flange Shim .009" use w/both thick and thin flanges
FP-6710-41-5630	FP-203131	Adjusting Screw Nut	FP-6720-21-1411	FP-3002834	Camshaft Bearing
FP-6720-11-1320	FP-205093	Valve Seat - Int & Exh	FP-6610-11-1410	FP-68445	Dowel Pin
	FP-3026296	Valve Seat - Intake STD	FP-6710-11-7150	FP-175830	FP-Diesel Expansion Plug
	FP-3031098	Valve Seat - Intake .010"		FP-203933	FP-Diesel Expansion Plug
	FP-3031099	Valve Seat - Intake .020"		FP-3025458	Pipe Plug
	FP-203933	FP- Diesel Expansion Plug	FP-6720-21-1711	FP-3025482	Bolt, Main Bearing Cap
FP-6720-11-1150	FP-205401	FP- Diesel Expansion Plug		FP-3015067	O-Ring - piston cooling nozzle
FP-6720-11-1160	FP-206224	FP- Diesel Expansion Plug		FP-200861	Washer - hydraulic pump
	FP-3002158	Pipe Plug		FP-3042590	Oil Pan Gasket
	FP-3032633	Head Bolt		FP-3042588	Oil Pan Adapter Gasket
				FP-3073213	Oil Pan Adapter Cover Gasket
ROCKER ARM & HOUSING PARTS			REAR COVER PARTS		
FP-6710-41-5540	FP-194037	Rocker Arm Socket		FP-3006237	Redi-Sleeve - rear
	FP-203933	FP- Diesel Expansion Plug		FP-3005885	Oil Seal - rear dry
	FP-3201517	Rocker Housing Gasket		FP-3005886	Oil Seal - rear wet
	FP-3629140	Rocker Lever Gasket		FP-205247	O-Ring
				FP-205239	Ring - Misc. Sealing
				FP-200861	Washer
THERMOSTAT AND WATER CONNECTION			GEAR CASE COVER PARTS		
FP-600421-6610	FP-204586	Thermostat 175 degree		FP-3006236	Redi-Sleeve - front
	FP-201737	Thermostat 180 degree		FP-3005884	Oil Seal - front - S/N 101153-107469
	FP-3017360	Thermostat 185 degree		FP-3016792	Oil Seal - front - S/N 107469-117375
	FP-3076489	Thermostat 180 degree		FP-3016788	Oil Seal
FP-6710-11-6451	FP-186780	Oil Seal	FP-6610-21-3120	FP-132770	Misc. FP- Diesel Bushing
	FP-3201783	Connection Gasket		FP-3002158	Pipe Plug
	FP-3010918	Thermostat Gasket		FP-3044762	Miscellaneous Gasket - cover to plate
	FP-207058	Miscellaneous Gasket		FP-3007380	Hydraulic Gasket
FP-02893-05043	FP-70624	O-Ring - water bypass tube	CRANKSHAFT PARTS		
	FP-69760	O-Ring - water transfer tube		FP-217322	Vibration Damper
				FP-AR12270	Main Bearing Set STD
				FP-AR12271	Main Bearing Set .010"
				FP-AR12272	Main Bearing Set .020"
				FP-AR12273	Main Bearing Set .030"
CYLINDER BLOCK PARTS					
Thick Flange Thickness 0.526" to 0.527" - Flange Outside Diameter 7.409" to 7.411"					
	FP-3028434	Liner w/Sealing Rings - STD Thick Flange, w/block #3028130			
	FP-3028430	Liner w/Sealing Rings - .020 Thick Flange, w/block #3028130			
	FP-3028431	Liner w/Sealing Rings - .040 Thick Flange, w/block #3028130			
	FP-3803510	Liner w/Sealing Rings - .060 Thick Flange, w/block #3028130			
	FP-3028433	Liner w/Sealing Rings - .095 Thick Flange, w/block #3028130			
	FP-3202240	Liner w/Sealing Rings - STD Thick Flange, 3028122			
	FP-3202241	Liner w/Sealing Rings - .020 Thick Flange			
	FP-3202242	Liner w/Sealing Rings - .040 Thick Flange			
	FP-3074552	Liner w/Sealing Rings - .060 Thick Flange, 3028264			
	FP-3053800	Liner w/Sealing Rings - .095 Thick Flange			

Komatsu to Cummins Interchange



Komatsu Machine Models PC650, PC650LC-5, PC650SE-5, HD325-5 - KT/KTA19-KT1150 Cummins Engines

KOMATSU PART NUMBER	CUMMINS PART NUMBER	PART DESCRIPTION	KOMATSU PART NUMBER	CUMMINS PART NUMBER	PART DESCRIPTION
PISTON & CONNECTING ROD PARTS			PRESSURE TIMED FUEL INJECTION PUMP & PARTS (CONT'D)		
	FP-3026333	Piston Kit w/Pin & Retainers 15.5:1 C/R (207330,3009016,3026270)		FP-3006353	Throttle/Governor Shaft - Yellow - Size 3
	FP-3803315	Piston Kit w/Pin & Retainers (3070707 piston)		FP-3006354	Throttle/Governor Shaft - Orange - Size 4
	FP-3070707	Piston Body w/o Pin 15.5:1 C/R		FP-3006355	Throttle/Governor Shaft - Black - Size 5
FP-6120-31-2120	FP-205200	Piston Pin	FP-6710-71-2960	FP-214144	Needle Valve
	FP-205269	Piston Pin Retainer	FP-6610-71-1821	FP-70705	Miscellaneous Gasket
	FP-3803472	Ring Set, Single Cylinder (AR10680)		FP-70815	Ring - Misc. Sealing
FP-6720-31-3131	FP-3043909	Piston Pin Bushing	FP-6610-71-1230	FP-181466	Lock Washer
FP-6720-31-3310	FP-3013265	Connecting Rod Bolt		FP-3023870	Miscellaneous Gasket
	FP-205840	Rod Bearing Half Upper/Lower STD	FP-6684-71-3601	FP-146483	Fuel Pump Filter
	FP-205841	Rod Bearing Half Upper/Lower .010"	FP-6710-71-2740	FP-3003156	Ring - Misc. Sealing
	FP-205842	Rod Bearing Half Upper/Lower .020"	FP-6685-82-9370	FP-S2286	Bolt
	FP-205843	Rod Bearing Half Upper/Lower .030"		FP-177150	Wear Sleeve - 16 holes
	FP-205844	Rod Bearing Half Upper/Lower .040"	FP-6610-71-1320	FP-100478	O-Ring
CAMSHAFT				FP-145505	O-Ring
	FP-3066877	Camshaft		FP-190876	O-Ring
CAM FOLLOWER & PUSH ROD				FP-3035344	Fuel Pump Valve
	FP-3017961	Push Rod - Injector	FP-6620-71-2610	FP-100215	Fuel Pump Shaft - gear pump drive
	FP-205492	Push Rod - Intake & Exhaust	FP-6620-71-2631	FP-175864	Fuel Pump Shaft - gear pump idler
	FP-3016825	Injector Cam Roller	FP-6620-71-2640	FP-119363	Fuel Pump Gear
	FP-3016826	Cam Follower Roller - Intake & Exhaust Valve Follower	FP-6610-71-2541	FP-110855	Fuel Pump Gasket - gear pump cover
	FP-205068	Fuel Injector Roller Pin		FP-210647	Miscellaneous Gasket - gear pump housing
	FP-205071	Valve Roller Pin	FP-6610-71-2750	FP-151900	O-Ring - damper cover
	FP-3040721	Cam Follower Gasket	FP-6610-71-3520	FP-154087	Rect. or Square Sealing Ring
FP-6610-21-7200	FP-107981	Oil Cap	FP-6610-71-1230	FP-181466	Lock Washer - damper cover spring
	FP-213559	Cam Follower Socket	FP-6610-71-4130	FP-129768	Fuel Pump Relief Valve Spring
FP-6610-41-2330	FP-107738	Cam Follower Socket	FP-6610-71-4160	FP-129888	O-Ring
LUBE OIL COOLER & PARTS				FP-3054610	Fuel Shutdown Solenoid - 24 Volt S/N 101153
	FP-3201785	Oil Cooler S/N 103070	FP-6610-71-4110	FP-134076	Fuel Shutdown Solenoid - 24 Volt S/N 118227
	FP-3627295	Oil Cooler S/N 109610	FP-6710-71-2330	FP-212601	Tachometer Drive Shaft
	FP-206973	Oil Cooler Gasket	FP-6710-71-1630	FP-212602	Tachometer Gear
	FP-3065791	Oil Cooler Core Outer Gasket	FP-6710-71-1910	FP-212603	Tachometer Shaft Seal
	FP-3200550	Oil Cooler Core Inner Gasket	FP-6710-71-2340	FP-212605	Governor Gear
	FP-145540	O-Ring	FP-6710-71-1611	FP-212607	Gear Drive Shaft
	FP-178937	O-Ring	FP-6710-71-2350	FP-212639	Coupling, Governor AFC
	FP-163654	O-Ring		FP-201745	Thrust Washer
	FP-206978	Rect. or Square Sealing Ring		FP-3024991	Carrier, Governor Weight - lower
	FP-3002158	Pipe Plug	FP-6610-71-2150	FP-144178	AFC Plunger
PRESSURE TIMED FUEL INJECTION PUMP & PARTS			FP-6610-71-2121	FP-163944	Misc. FP- Diesel Bushing
	FP-3009380	Fuel Governor Plunger - Red - Size 0		FP-211633	Governor Shaft & Carrier
	FP-3009381	Fuel Governor Plunger - Blue - Size 1		FP-211635	Governor Dowel Pin
	FP-3009382	Fuel Governor Plunger - Green - Size 2		FP-211636	Governor Gear
	FP-3009383	Fuel Governor Plunger - Yellow - Size 3	FP-6710-71-2410	FP-200998	Fuel Pump Housing Cover Gasket
	FP-3009384	Fuel Governor Plunger - Orange - Size 4		FP-3069103	Fuel Pump Gasket
	FP-3009385	Fuel Governor Plunger - Black - Size 5		FP-141631	Idler Spring Plunger Button S/N 113641
	FP-3009386	Fuel Governor Plunger - Grey - Size 6		FP-140922	Idler Spring Plunger Button S/N 113641
	FP-3009387	Fuel Governor Plunger - Purple - Size 7		FP-141629	Idler Spring Plunger Button S/N 113641
FP-6610-71-1430	FP-70690	Fuel Injection Driver Tang		FP-141632	Idler Spring Plunger Button S/N 113641
FP-6610-71-1451	FP-144302	Fuel Pump Spacer		FP-141633	Idler Spring Plunger Button S/N 113641
	FP-3027633	Fuel Pump Thrust Bearing		FP-141634	Idler Spring Plunger Button S/N 113641
	FP-3006350	Throttle/Governor Shaft - Red - Size 0		FP-141634	Idler Spring Plunger Button S/N 113641
	FP-3006351	Throttle/Governor Shaft - Blue - Size 1		FP-3034217	Mechanical Fuel Pump RH S/N 113641 3/4" (3014937)
	FP-3006352	Throttle/Governor Shaft - Green - Size 2		FP-70790	Bolt - cover



Komatsu to Cummins Interchange

**Komatsu Machine Models PC650, PC650LC-5, PC650SE-5,
HD325-5 - KT/KTA19-KT1150 Cummins Engines**

KOMATSU PART NUMBER	CUMMINS PART NUMBER	PART DESCRIPTION	KOMATSU PART NUMBER	CUMMINS PART NUMBER	PART DESCRIPTION
PRESSURE TIMED FUEL INJECTION PUMP & PARTS (CONTD)			WATER PUMP & PARTS		
FP-6620-71-2640	FP-119363	Fuel Pump Gear		FP-3017034	Ball Bearing - impeller shaft
FP-6620-71-2631	FP-175864	Fuel Pump Shaft - idler		FP-S965E	Pipe Plug
FP-6620-71-2610	FP-100215	Fuel Pump Shaft - drive		FP-3002158	Pipe Plug
FP-6610-71-1230	FP-181466	Lock Washer		FP-3201693	Accessory Drive Gasket
	FP-160514	Washer - nylon	FP-02891-02018	FP-43696A	O-Ring
FP-6610-71-2541	FP-110855	Fuel Pump Gasket		FP-69760	O-Ring
	FP-210647	Gear Pump Gasket		FP-3818885	O-Ring
	FP-3033740	Fuel Pump Check Valve		FP-205259	Water Pump Shaft
	FP-3025458	Pipe Plug	FP-6610-71-7230	FP-3026556	Thrust Washer
	FP-3046201	O-Ring	FP-6710-71-7520	FP-190397	Wear Sleeve
FP-6610-71-2771	FP-100099	O-Ring		FP-3803153	Water Pump Repair/Rebuild Kit
	FP-190876	O-Ring		FP-145623	O-Ring
FP-6610-71-4160	FP-129888	O-Ring		FP-205258	Water Pump Retainer Ring
FP-6610-71-4130	FP-129768	Fuel Pump Relief Valve Spring		FP-205288	Water Intake Gasket
	FP-3030970	Fuel Pump Injector Check Valve		FP-205289	Water Outlet Gasket
	FP-3054610	Fuel Shutdown Solenoid		FP-206948	Oil Seal
FP-6610-71-3520	FP-154087	Rect. or Square Sealing Ring		FP-3028291	O-Ring
FP-6610-71-2750	FP-151900	O-Ring	FP-6610-61-1511	FP-3029099	Water Pump Mech. Shaft Seal
FP-6710-71-2321	FP-3009625	Oil Seal - drive shaft		FP-3042827	Water Pump Shaft
	FP-201745	Thrust Washer		FP-3202283	Water Pump Gasket
	FP-201008	Idler Shaft		FP-70183	Water Pump Retainer Ring
FP-6610-71-2150	FP-144178	AFC Plunger		FP-S16002	Ball Bearing
	FP-211636	Governor Gear		FP-S16069	Ball Bearing
FP-6610-71-2121	FP-163944	Misc. FP- Diesel Bushing		FP-S962E	Drain Cock
FP-6710-71-2410	FP-200998	Fuel Pump Housing Cover Gasket	ACCESSORY DRIVE		
	FP-3010945	Oil Seal	FP-6610-71-7120	FP-116391	Misc. FP-Diesel Bushing
	FP-141634	Idler Spring Plunger Button		FP-3002158	Pipe Plug
	FP-203346	Idler Guide Spacer	FP-6610-71-7251	FP-3200287	Ring - Misc. Sealing
FP-6610-71-2771	FP-100099	O-Ring		FP-3201693	Accessory Drive Gasket
FP-6610-71-2741	FP-139988	O-Ring	FP-6710-71-7860	FP-170664	Washer
	FP-70415	O-Ring		FP-3014103	Washer
FP-6610-71-4110	FP-134076	Fuel Shutdown Solenoid	FP-6610-71-7230	FP-3026556	Thrust Washer
FP-6610-71-3520	FP-154087	Rect. or Square Sealing Ring	FP-6610-71-7241	FP-3026557	Accessory Drive Thrust Washer
FUEL INJECTOR & PARTS			FP-6710-71-7520	FP-190397	Wear Sleeve
	FP-3016675	Fuel Injector - New (3007501)		FP-3000173	Bolt
	FP-3016676	Fuel Injector - New		FP-3000174	Coupling, Accessory Drive
	FP-3003932	Fuel Injector Cup - 9-.0085-7	GASKET SETS		
	FP-3003933	Fuel Injector Cup - 9-.0085-10		FP-3022340	Head Gasket
FP-6710-11-3381	FP-3008706	Fuel Injector Screen		FP-3803596	Head Gasket Set
	FP-3010510	O-Ring - top		FP-3806597	Head Gasket Set - K19
	FP-193736	O-Ring		FP-3803598	Head Gasket Set - KTA/KTTA19
	FP-205216	O-Ring		FP-3801006	Conversion Gasket Set - K19
FP-6710-11-3360	FP-203426	Fuel Injector Roller Pin		FP-3801007	Conversion Gasket Set - KTA/KTTA19
	FP-207245	Fuel Injector Retainer	FP-6600-08-6181	FP-3010242	Transfer Pump Gasket Kit
	FP-3037292	Fuel Injector Plunger & Barrel		FP-3042590	Oil Pan Gasket
	FP-205462	Fuel Injection Link		FP-3042588	Oil Pan Adapter Gasket
	FP-207244	Ring - Misc. Sealing			

Komatsu to Cummins Interchange



Komatsu Machine Model HD875-3 - KT/KTA38-KT2300 Cummins Engines

KOMATSU PART NUMBER	CUMMINS PART NUMBER	PART DESCRIPTION	KOMATSU PART NUMBER	CUMMINS PART NUMBER	PART DESCRIPTION
CYLINDER HEAD PARTS			GEAR CASE COVER PARTS		
	FP-3022340	Head Gasket		FP-3006236	Redi-Sleeve - Front
FP-6720-11-1311	FP-3018818	Valve Guide - Intake & Exhaust		FP-3016792	Oil Seal - Front Cranshaft
FP-6720-41-4111	FP-207241	Valve, Intake		FP-3016788	Oil Seal - Accessory Drive
FP-6720-41-4211	FP-3035110	Valve, Exhaust	FP-6610-21-3120	FP-132770	Misc. FP-Diesel Bushing - accessory drive
FP-6720-41-4410	FP-205208	Valve Spring - Intake & Exhaust			
FP-6720-41-4520	FP-205091	Valve Keeper	FP-02010-20732	FP-103009	Bolt - 7/16 - 14 x 1 1/8"
FP-6720-11-1140	FP-205169	Valve Bridge Guide		FP-3002158	Pipe Plug
FP-6610-41-5620	FP-147389	Screw		FP-145600	O-Ring
FP-6710-41-5630	FP-203131	Adjusting Screw Nut		FP-3818885	O-Ring (70861)
FP-6720-11-1320	FP-205093	Valve Seat - Exhaust STD		FP-206407	Miscellaneous Gasket
	FP-3026296	Valve Seat - Intake STD		FP-3177160	Gear Cover Gasket
	FP-3031098	Valve Seat - Intake .010"		FP-3178076	Gear Housing Gasket
	FP-3031099	Valve Seat - Intake .020"	CRANKSHAFT PARTS		
FP-6610-11-1410	FP-68445	Dowel Pin		FP-AR12250	Main Bearing Set STD
FP-6720-11-1150	FP-205401	FP-Diesel Expansion Plug		FP-AR12251	Main Bearing Set .010"
FP-6720-11-1160	FP-206224	FP-Diesel Expansion Plug		FP-AR12252	Main Bearing Set .020"
	FP-3002158	Pipe Plug	PISTON & CONNECTING ROD PARTS		
	FP-3032633	Head Bolt		FP-3803314	Piston Kit w/Pin & Retainers 14.5:1 (3070706 piston)
FP-6710-41-5540	FP-194037	Rocker Arm Socket		FP-3070706	Piston Body w/o Pin
	FP-203933	FP-Diesel Expansion Plug		FP-3803315	Piston Kit w/Pin & Retainers 15.5:1 (3070707 piston)
FP-6710-41-5360	FP-S212	Adjusting Screw Nut		FP-3070707	Piston Body w/o Pin
FP-6610-41-5550	FP-168306	Rocker Lever Adjusting Screw		FP-205200	Piston Pin
	FP-3201517	Rocker Housing Gasket	FP-6120-31-2120	FP-205269	Piston Pin Retainer
	FP-3629140	Rocker Lever Gasket		FP-3803472	Ring Set, Single Cylinder (AR10680)
AIR INTAKE MANIFOLD PARTS			FP-6720-31-3131	FP-3043909	Piston Pin Bushing (205180, 3000965, 6720-31-3130)
FP-02010-20732	FP-103009	Bolt - plate to support		FP-3013266	Connecting Rod Bolt
	FP-3014304	Misc. Rubber or Plastic Sleeve		FP-3047390	Rod Bearing Half Upper/Lower STD
	FP-3023130	Ring - Misc. Sealing		FP-3047391	Rod Bearing Half Upper/Lower .010"
	FP-3026421	O-Ring		FP-3047392	Rod Bearing Half Upper/Lower .020"
	FP-3011580	Aftercooler Cover Gasket		FP-3047393	Rod Bearing Half Upper/Lower .030"
	FP-3014449	Flange Gasket		FP-3047394	Rod Bearing Half Upper/Lower .040"
	FP-3179026	Miscellaneous Gasket - air crossover connection	CAMSHAFT		
CYLINDER BLOCK PARTS				FP-3066884	Camshaft - Right Bank
	FP-205230	Camshaft Bearing		FP-3066885	Camshaft - Left Bank
	FP-3007525	Liner w/Sealing Rings STD		FP-68908	Gasket Lock Plate
	FP-3022157	Liner w/o Sealing Ring STD		FP-3040722	Camshaft Hole Cover Gasket
	FP-3801268	Liner w/Sealing Rings .030"	CAM FOLLOWER & PUSH ROD		
	FP-3023019	Liner w/o Sealing Ring .030"	FP-6610-41-2330	FP-107738	Cam Follower Socket
	FP-3014668	Sealing Ring, Liner - lower		FP-3016825	Injector Cam Roller
	FP-3011076	Sealing Ring, Liner - upper		FP-3016826	Cam Follower Roller
	FP-3081489	Sealing Ring, Liner - crevice		FP-205068	Fuel Injector Roller Pin
	FP-3014226	Flange Shim - .007"		FP-205071	Valve Roller Pin
	FP-3074559	Flange Shim - .008"		FP-3017961	Push Rod - Injector
	FP-3014228	Flange Shim - .009"		FP-205492	Push Rod - Valve
	FP-3025483	Main Bearing Cap Bolt	LUBE OIL COOLER & PARTS		
	FP-3043211	Oil Pan Gasket		FP-3627295	Oil Cooler (205615)
	FP-3043212	Oil Pan Gasket Adapter		FP-206021	Oil Cooler Cover Gasket
	FP-67946	Washer - drain plug		FP-3175517	Oil Cooler Gasket - Front Water Header Cover
	FP-67622	Pipe Plug			Oil Cooler Gasket - Front Water Header Cover
	FP-3002158	Pipe Plug		FP-3009323	Oil Cooler Gasket - Rear Water Header Cover
REAR COVER PARTS				FP-3009324	Oil Cooler Gasket - Rear Water Header Cover
	FP-3006237	Redi-Sleeve - rear		FP-178937	O-Ring
	FP-3005887	Oil Seal (Wet)			
	FP-3016793	Oil Seal (Dry)			
	FP-207551	O-Ring - dust seal			
	FP-3818885	O-Ring			
	FP-3913994	O-Ring			
FP-02010-20732	FP-103009	Bolt - 7/16 - 14 x 1 1/8"			
	FP-205571	Miscellaneous Gasket - seal retainer			
	FP-206421	Miscellaneous Gasket - rear housing			



Komatsu to Cummins Interchange

Komatsu Machine Model HD875-3 - KT/KTA38-KT2300 Cummins Engines

KOMATSU PART NUMBER	CUMMINS PART NUMBER	PART DESCRIPTION	KOMATSU PART NUMBER	CUMMINS PART NUMBER	PART DESCRIPTION
FUEL SHUTDOWN VALVE			WATER PUMP & PARTS		
	FP-3035344	Fuel Pump Valve		FP-S16054	Ball Bearing
	FP-3013036	Fuel Pump Shaft		FP-70183	Water Pump Retainer Ring
	FP-3054610	Fuel Shutdown Solenoid		FP-206193	Water Pump Gasket
FP-6610-71-4160	FP-129888	O-Ring		FP-206455	Water Pump Gasket
	FP-190876	O-Ring		FP-206457	O-Ring
FP-6610-71-3520	FP-154087	Rect. or Square Sealing Ring		FP-3007512	O-Ring
FP-6610-71-4130	FP-129768	Fuel Pump Relief Valve Spring	FP-6610-71-7230	FP-3026556	Thrust Washer
FP-6610-71-1230	FP-181466	Lock Washer	FP-6620-41-1150	FP-68193	Pipe Plug
FUEL MANIFOLD PARTS			FP-02010-20732	FP-103009	Bolt
	FP-3002150	Ring - Misc. Sealing		FP-206416	Water Pump Gasket
	FP-3801403	Manifold Gasket Set (3014205)		FP-206460	Miscellaneous Gasket
	FP-131026	O-Ring		FP-3179035	Miscellaneous Gasket
	FP-145507	O-Ring		FP-100478	O-Ring
	FP-3001340	O-Ring	ACCESSORY DRIVE		
	FP-3818885	O-Ring		FP-3000174	Coupling, Accessory Drive
FUEL INJECTOR & PARTS			FP-6610-71-7120	FP-116391	Misc. FP- Diesel Bushing
	FP-3016675	Fuel Injector - New	FP-6710-71-7860	FP-170664	Washer
	FP-3037292	Fuel Injector Plunger & Barrel (3016671)		FP-3014103	Washer
	FP-3003933	Fuel Injector Cup	FP-6610-71-7230	FP-3026556	Thrust Washer (116388)
FP-6710-11-3381	FP-3008706	Fuel Injector Screen	FP-6610-71-7241	FP-3026557	Accessory Drive Thrust Washer (116389)
	FP-205462	Fuel Injection Link	FP-6710-71-7520	FP-190397	Wear Sleeve
	FP-207244	Ring - Misc. Sealing	FP-6610-71-7251	FP-3200287	Ring - Key Way (181236)
	FP-207245	Fuel Injector Retainer		FP-3046852	Accessory Drive Gasket
FP-6710-11-3230	FP-193736	O-Ring		FP-3000173	Bolt
	FP-205216	O-Ring		FP-3002158	Pipe Plug 1/8"
	FP-3010510	O-Ring	THERMOSTAT AND WATER CONNECTION		
FUEL PUMP HOUSING PARTS			FP-6004-21-6610	FP-204586	Thermostat 175 Degree
FP-6710-71-2960	FP-214144	Needle Valve		FP-201737	Thermostat 180 Degree
	FP-3009380	Fuel Governor Plunger		FP-3017360	Thermostat 185 Degree
FP-6710-71-1430	FP-70690	Fuel Injection Driver Tang		FP-3076489	Thermostat 180 Degree
FP-6710-71-8320	FP-70772	Bolt	FP-6710-11-6451	FP-186780	Thermostat Seal
FP-6685-82-9370	FP-S2286	Bolt		FP-206443	Thermostat Housing Gasket
FP-6610-71-1821	FP-70705	Miscellaneous Gasket		FP-206446	Miscellaneous Gasket - Water Tube
	FP-70815	Ring - Misc. Sealing		FP-207515	Miscellaneous Gasket
FP-6610-71-1230	FP-181466	Lock Washer		FP-67622	Pipe Plug 3/8"
FP-6610-71-1451	FP-144302	Fuel Pump Spacer		FP-69760	O-Ring
FP-6684-71-3601	FP-146483	Fuel Pump Filter	AIR COMPRESSOR PARTS		
FP-6610-71-1320	FP-100478	O-Ring		FP-3801740	Piston Kit w/Pin & Ring - STD
AUTO FUEL CONNECTION V/S MAIN SHAFT				FP-3801741	Piston Kit w/Pin & Ring - .010"
	FP-162426	Adapter AC Drive Spider		FP-3801742	Piston Kit w/Pin & Ring - .020"
	FP-211635	Governor Dowel Pin		FP-3801743	Piston Kit w/Pin & Ring - .030"
	FP-211636	Governor Gear		FP-3045670	Piston Body w/o Pin - STD
	FP-211633	Governor Shaft & Carrier		FP-3045671	Piston Body w/o Pin - .010"
FP-6610-71-2150	FP-144178	AFC Plunger		FP-3045672	Piston Body w/o Pin - .020"
FP-6710-71-1690	FP-S16052	Ball Bearing		FP-3045673	Piston Body w/o Pin - .030"
FP-6610-71-2121	FP-163944	Misc. FP-Diesel Bushing		FP-119810	Piston Pin
FP-6710-71-2410	FP-200998	Fuel Pump Housing Cover Gasket		FP-3558754	Piston Pin Retainer
	FP-3069103	Fuel Pump Gasket		FP-AR73350	Ring Set, Single Cylinder
	FP-70815	Ring - Misc. Sealing		FP-650330	Ring, Compression - Top
	FP-201745	Thrust Washer		FP-187350	Ring, Compression - Second Groove
GEAR PUMP				FP-180810	Ring, Oil Control
	FP-3034221	Mechanical Fuel Pump RH 1 1/4" (3014941)		FP-127950	Miscellaneous Gasket
	FP-119364	Fuel Pump Gear		FP-199347	Air Compressor Gasket - Supprt to Cover
	FP-100217	Fuel Pump Shaft		FP-3069102	Air Compressor Gasket - Housing to Support
	FP-175865	Fuel Pump Shaft		FP-3069103	Fuel Pump Gasket
FP-6610-71-1230	FP-181466	Lock Washer		FP-128080	Air Compressor Spring
FP-6610-71-2541	FP-110855	Fuel Pump Gasket		FP-190334	Air Compressor Spring
FP-6610-71-1890	FP-175836	Fuel Pump Check Valve		FP-150631	Air Compressor Spring - unloader
FP-6610-71-2750	FP-151900	O-Ring		FP-127940	Air Compressor Valve - Exhaust
FP-6610-71-2771	FP-100099	O-Ring			
FP-6610-71-2741	FP-139988	O-Ring			

Komatsu to Cummins Interchange



Komatsu Machine Model HD875-3 - KT/KTA38-KT2300 Cummins Engines

KOMATSU PART NUMBER	CUMMINS PART NUMBER	PART DESCRIPTION	KOMATSU PART NUMBER	CUMMINS PART NUMBER	PART DESCRIPTION
AIR COMPRESSOR PARTS (CONT'D)			GASKET SETS		
	FP-144948	Air Compressor Valve - Intake		FP-3803596	Head Gasket Set - Single Cylinder Head
	FP-144714	Air Compressor Valve Seat - Exhaust		FP-3803600	Head Gasket Set - Upper Set (3801720)
	FP-145028	Air Compressor Valve Seat - Intake		FP-3801896	Head Gasket Set - Upper Set (Uprate)
	FP-191037	Air Compressor Cap - unloader		FP-3801719	Conversion Gasket Set
	FP-184240	Air Compressor Cap - unloader valve		FP-3043212	Oil Pan Gasket
	FP-127936	Air Compressor Seal Ring			
	FP-183429	Air Compressor Wear Plate			
	FP-211662	Thrust Washer			
	FP-147610	Misc. FP- Diesel Bushing			
	FP-128086	O-Ring			
	FP-145530	O-Ring			
	FP-211315	O-Ring			
	FP-163654	O-Ring			
	FP-128085	O-Ring			
	FP-3015068	Air Compressor Seal Ring			
	FP-3009738	Air Compressor Seal Ring			



Komatsu In-Frame Engine Kits

Kit Number: FP-IFK-4D95L

COMPONENT NO.	QTY.	PART SIZE	PART DESCRIPTION	PART APPLICATION
FP-LK2121	4		Cylinder Kit Complete	Build no. L-1, L-1C, L-1G, L-1K, L-1L, L-1Z
FP-LK2161	4		Cylinder Kit Complete	Build no. 1AA, 1BB, 1CC
FP-LK332140	4		Cylinder Kit Complete	Build no. W1A, W1B, W1E
FP-6207-31-3300	4	Std.	Rod Bearing Pair	
FP-6207-39-3300	4	.25MM	Rod Bearing Pair	
FP-6207-38-3300	4	.50MM	Rod Bearing Pair	
FP-6207-37-3300	4	.75MM	Rod Bearing Pair	
FP-6207-36-3300	4	1.00MM	Rod Bearing Pair	
FP-6204-21-8100	5	Std.	Flanged Main Bearing	
FP-6204-29-8100	5	.25MM	Flanged Main Bearing	
FP-6204-28-8100	5	.50MM	Flanged Main Bearing	
FP-6204-27-8100	5	.75MM	Flanged Main Bearing	
FP-6204-26-8100	5	1.00MM	Flanged Main Bearing	
FP-6204-21-8600	1	Std.	Thrust Washer	
FP-6204-29-8600	1	.25MM	Thrust Washer	
FP-6204-28-8600	1	.50MM	Thrust Washer	
FP-6204-27-8600	1	.75MM	Thrust Washer	
FP-6204-26-8600	1	1.00MM	Thrust Washer	
FP-6204-K1-9901	1		Head Gasket Set	
FP-1816593	1		Oil Pan Gasket (silicone sealant)	

Kit Number: FP-IFK-4D95LE

COMPONENT NO.	QTY.	PART SIZE	PART DESCRIPTION	PART APPLICATION
FP-LK312141	4		Cylinder Kit Complete	Build no. 1W, 1BW, 1FF, 1GG
FP-LK332141	4		Cylinder Kit Complete	Build no. 2A, 2B, 2C
FP-6207-31-3300	4	Std.	Cylinder Kit Complete	
FP-6207-39-3300	4	.25MM	Rod Bearing Pair	
FP-6207-38-3300	4	.50MM	Rod Bearing Pair	
FP-6207-37-3300	4	.75MM	Rod Bearing Pair	
FP-6207-36-3300	5	1.00MM	Rod Bearing Pair	
FP-6204-21-8100	5	Std.	Flanged Main Bearing	
FP-6204-29-8100	5	.25MM	Flanged Main Bearing	
FP-6204-28-8100	5	.50MM	Flanged Main Bearing	
FP-6204-27-8100	5	.75MM	Flanged Main Bearing	
FP-6204-26-8100	1	1.00MM	Flanged Main Bearing	
FP-6204-21-8600	1	Std.	Thrust Washer	
FP-6204-29-8600	1	.25MM	Thrust Washer	
FP-6204-28-8600	1	.50MM	Thrust Washer	
FP-6204-27-8600	1	.75MM	Thrust Washer	
FP-6204-26-8600	1	1.00MM	Thrust Washer	
FP-6204-K1-0901	1		Head Gasket Set	
FP-1816593	1		Oil Pan Gasket (silicone sealant)	

Komatsu In-Frame Engine Kits



Kit Number: FP-IFK-4D95S

COMPONENT NO.	QTY.	PART SIZE	PART DESCRIPTION	PART APPLICATION
FP-LK2160	4		Cylinder Kit Complete	Build no. 1H, 1J; Eng. Ser. No. 124813-Up
FP-LK322140	4		Cylinder Kit Complete	Build no. W-1F, W-1G; Eng. Ser. No. 23318-Up
FP-6207-31-3300	4	Std.	Rod Bearing Pair	
FP-6207-39-3300	4	.25MM	Rod Bearing Pair	
FP-6207-38-3300	4	.50MM	Rod Bearing Pair	
FP-6207-37-3300	4	.75MM	Rod Bearing Pair	
FP-6207-36-3300	4	1.00MM	Rod Bearing Pair	
FP-6204-21-8100	5	Std.	Flanged Main Bearing	
FP-6204-29-8100	5	.25MM	Flanged Main Bearing	
FP-6204-28-8100	5	.50MM	Flanged Main Bearing	
FP-6204-27-8100	5	.75MM	Flanged Main Bearing	
FP-6204-26-8100	5	1.00MM	Flanged Main Bearing	
FP-6204-21-8600	1	Std.	Thrust Washer	
FP-6204-29-8600	1	.25MM	Thrust Washer	
FP-6204-28-8600	1	.50MM	Thrust Washer	
FP-6204-27-8600	1	.75MM	Thrust Washer	
FP-6204-26-8600	1	1.00MM	Thrust Washer	
FP-6202-K1-9901	1		Head Gasket Set	
FP-1816593	1		Oil Pan Gasket (silicone sealant)	



Komatsu In-Frame Engine Kits

Kit Number: FP-IFK-S4D95L

COMPONENT NO.	QTY.	PART SIZE	PART DESCRIPTION	PART APPLICATION
FP-LK72121	4		Cylinder Kit Complete	Build no. 1J, 1K, 1M
FP-LK72141	4		Cylinder Kit Complete	Build no. 1A, 1B, 1G
FP-6207-31-3300	4	Std.	Rod Bearing Pair	Build no. 1J, 1K, 1M
FP-6207-39-3300	4	.25MM	Rod Bearing Pair	Build no. 1J, 1K, 1M
FP-6207-38-3300	4	.50MM	Rod Bearing Pair	Build no. 1J, 1K, 1M
FP-6207-37-3300	4	.75MM	Rod Bearing Pair	Build no. 1J, 1K, 1M
FP-6207-36-3300	4	1.00MM	Rod Bearing Pair	Build no. 1J, 1K, 1M
FP-6207-31-3600	4	Std.	Rod Bearing Pair	Build no. 1A, 1B, 1G
FP-6207-39-3600	4	.25MM	Rod Bearing Pair	Build no. 1A, 1B, 1G
FP-6207-38-3600	4	.50MM	Rod Bearing Pair	Build no. 1A, 1B, 1G
FP-6207-37-3600	4	.75MM	Rod Bearing Pair	Build no. 1A, 1B, 1G
FP-6207-36-3600	4	1.00MM	Rod Bearing Pair	Build no. 1A, 1B, 1G
FP-6204-21-8100	5	Std.	Flanged Main Bearing	
FP-6204-29-8100	5	.25MM	Flanged Main Bearing	
FP-6204-28-8100	5	.50MM	Flanged Main Bearing	
FP-6204-27-8100	5	.75MM	Flanged Main Bearing	
FP-6204-26-8100	5	1.00MM	Flanged Main Bearing	
FP-6204-21-8600	1	Std.	Thrust Washer	
FP-6204-29-8600	1	.25MM	Thrust Washer	
FP-6204-28-8600	1	.50MM	Thrust Washer	
FP-6204-27-8600	1	.75MM	Thrust Washer	
FP-6204-26-8600	1	1.00MM	Thrust Washer	
FP-6205-K1-2104	1		Head Gasket Set	
FP-1816593	1		Oil Pan Gasket (silicone sealant)	

Komatsu In-Frame Engine Kits



Kit Number: FP-IFK-S4D95LE

COMPONENT NO.	QTY.	PART SIZE	PART DESCRIPTION	PART APPLICATION
FP-LK2190	4		Cylinder Kit Complete	
FP-6207-31-3600	4	Std.	Rod Bearing Pair	
FP-6207-39-3600	4	.25MM	Rod Bearing Pair	
FP-6207-38-3600	4	.50MM	Rod Bearing Pair	
FP-6207-37-3600	4	.75MM	Rod Bearing Pair	
FP-6207-36-3600	4	1.00MM	Rod Bearing Pair	
FP-6204-21-8100	5	Std.	Flanged Main Bearing	
FP-6204-29-8100	5	.25MM	Flanged Main Bearing	
FP-6204-28-8100	5	.50MM	Flanged Main Bearing	
FP-6204-27-8100	5	.75MM	Flanged Main Bearing	
FP-6204-26-8100	5	1.00MM	Flanged Main Bearing	
FP-6204-21-8600	1	Std.	Thrust Washer	
FP-6204-29-8600	1	.25MM	Thrust Washer	
FP-6204-28-8600	1	.50MM	Thrust Washer	
FP-6204-27-8600	1	.75MM	Thrust Washer	
FP-6204-26-8600	1	1.00MM	Thrust Washer	
FP-6204-K1-0901	1		Head Gasket Set	
FP-1816593	1		Oil Pan Gasket (silicone sealant)	

Kit Number: FP-IFK-6D95L

COMPONENT NO.	QTY.	PART SIZE	PART DESCRIPTION	PART APPLICATION
FP-LK2121	6		Cylinder Kit Complete	Build no. 1A, 1B, 1C, 1L, 1Z, 1AA, 1BB
FP-LK332140	6		Cylinder Kit Complete	Build no. 1AC-E, 1V V, 1HH
FP-LK332141	6		Cylinder Kit Complete	Build no. 1AF-1
FP-6207-31-3300	6	Std.	Rod Bearing Pair	
FP-6207-39-3300	6	.25MM	Rod Bearing Pair	
FP-6207-38-3300	6	.50MM	Rod Bearing Pair	
FP-6207-37-3300	6	.75MM	Rod Bearing Pair	
FP-6207-36-3300	6	1.00MM	Rod Bearing Pair	
FP-6204-21-8100	7	Std.	Flanged Main Bearing	
FP-6204-29-8100	7	.25MM	Flanged Main Bearing	
FP-6204-28-8100	7	.50MM	Flanged Main Bearing	
FP-6204-27-8100	7	.75MM	Flanged Main Bearing	
FP-6204-26-8100	7	1.00MM	Flanged Main Bearing	
FP-6204-21-8500	1	Std.	Thrust Washer	
FP-6204-29-8500	1	.25MM	Thrust Washer	
FP-6204-28-8500	1	.50MM	Thrust Washer	
FP-6204-27-8500	1	.75MM	Thrust Washer	
FP-6204-26-8500	1	1.00MM	Thrust Washer	
FP-6206-K1-9901	1		Head Gasket Set	Dozer, Wheel Loader, Excavator
FP-6207-K1-9901	1		Head Gasket Set	Grader
FP-6206-21-5812	1		Oil Pan Gasket	



Komatsu In-Frame Engine Kits

Kit Number: FP-IFK-S6D95L

COMPONENT NO.	QTY.	PART SIZE	PART DESCRIPTION	PART APPLICATION
FP-LK2120	6		Cylinder Kit Complete	Build no. 1B, 1C, 1D, 1L, 1M, 1P, 1Q, 1W
FP-LK32180	6		Cylinder Kit Complete	Build no. 1MM, 1MM-C
FP-LK72121	6		Cylinder Kit Complete	Build no. 1NN-18, 1PP-25
FP-LK72141	6		Cylinder Kit Complete	Build no. 1U, 1U-C, 1GG, 1JJ, 1KK
FP-6207-31-3300	6	Std.	Rod Bearing Pair	
FP-6207-39-3300	6	.25MM	Rod Bearing Pair	
FP-6207-38-3300	6	.50MM	Rod Bearing Pair	
FP-6207-37-3300	6	.75MM	Rod Bearing Pair	
FP-6207-36-3300	6	1.00MM	Rod Bearing Pair	
FP-6204-21-8100	7	Std.	Flanged Main Bearing	
FP-6204-29-8100	7	.25MM	Flanged Main Bearing	
FP-6204-28-8100	7	.50MM	Flanged Main Bearing	
FP-6204-27-8100	7	.75MM	Flanged Main Bearing	
FP-6204-26-8100	7	1.00MM	Flanged Main Bearing	
FP-6204-21-8500	1	Std.	Thrust Washer	
FP-6204-29-8500	1	.25MM	Thrust Washer	
FP-6204-28-8500	1	.50MM	Thrust Washer	
FP-6204-27-8500	1	.75MM	Thrust Washer	
FP-6204-26-8500	1	1.00MM	Thrust Washer	
FP-6207-K1-9901	1		Head Gasket Set	Grader
FP-1816593	1		Oil Pan Gasket (silicone sealant)	

Kit Number: FP-IFK-SA6D95L

COMPONENT NO.	QTY.	PART SIZE	PART DESCRIPTION	PART APPLICATION
FP-LK92141	6		Cylinder Kit Complete	Build no. 1, 1C PC2XX-5 models; Eng ser no. 35398-Up
FP-LK92180	6		Cylinder Kit Complete	Build no. 1, 1C PC2XX-6 models; Eng ser no. 111870-Up
FP-6207-31-3300	6	Std.	Rod Bearing Pair	
FP-6207-39-3300	6	.25MM	Rod Bearing Pair	
FP-6207-38-3300	6	.50MM	Rod Bearing Pair	
FP-6207-37-3300	6	.75MM	Rod Bearing Pair	
FP-6207-36-3300	6	1.00MM	Rod Bearing Pair	
FP-6204-21-8100	7	Std.	Flanged Main Bearing	
FP-6204-29-8100	7	.25MM	Flanged Main Bearing	
FP-6204-28-8100	7	.50MM	Flanged Main Bearing	
FP-6204-27-8100	7	.75MM	Flanged Main Bearing	
FP-6204-26-8100	7	1.00MM	Flanged Main Bearing	
FP-6204-21-8500	1	Std.	Thrust Washer	
FP-6204-29-8500	1	.25MM	Thrust Washer	
FP-6204-28-8500	1	.50MM	Thrust Washer	
FP-6204-27-8500	1	.75MM	Thrust Washer	
FP-6204-26-8500	1	1.00MM	Thrust Washer	
FP-6207-K1-9901	1		Head Gasket Set	
FP-1816593	1		Oil Pan Gasket (silicone sealant)	

Komatsu In-Frame Engine Kits



Kit Number: FP-IFK-SAA6D95L

COMPONENT NO.	QTY.	PART SIZE	PART DESCRIPTION	PART APPLICATION
FP-LK92180	4		Cylinder Kit Complete	Build no. 1A, 1A-C, 1B
FP-6207-31-3600	4	Std.	Rod Bearing Pair	
FP-6207-39-3600	4	.25MM	Rod Bearing Pair	
FP-6207-38-3600	4	.50MM	Rod Bearing Pair	
FP-6207-37-3600	4	.75MM	Rod Bearing Pair	
FP-6207-36-3600	4	1.00MM	Rod Bearing Pair	
FP-6204-21-8100	4	Std.	Flanged Main Bearing	
FP-6204-29-8100	5	.25MM	Flanged Main Bearing	
FP-6204-28-8100	5	.50MM	Flanged Main Bearing	
FP-6204-27-8100	5	.75MM	Flanged Main Bearing	
FP-6204-26-8100	5	1.00MM	Flanged Main Bearing	
FP-6204-21-8500	5	Std.	Thrust Washer	
FP-6204-29-8500	1	.25MM	Thrust Washer	
FP-6204-28-8500	1	.50MM	Thrust Washer	
FP-6204-27-8500	1	.75MM	Thrust Washer	
FP-6204-26-8500	1	1.00MM	Thrust Washer	
FP-6207-K1-9901	1		Head Gasket Set	
FP-1816593	1		Oil Pan Gasket (silicone sealant)	

Kit Number: FP-IFK-S4D102EA

COMPONENT NO.	QTY.	PART SIZE	PART DESCRIPTION	PART APPLICATION
FP-6731-31-2290	4		Single Cylinder Ring Set	D32E-1,P-1 Eng Ser No. 75718-Up;
FP-6731-31-2190	4		Piston Kit w/Pin & Retainers	D32E-1A,P-1A Eng Ser No. 76093-Up
FP-6735-31-2040	4		Single Cylinder Ring Set	D32E-1,P-1; Eng Ser No. 75501-75717; D38E-1,
FP-6735-31-2070	4		Piston Kit w/Pin & Retainers	P-1 Eng Ser No. 85501-85798; D39E-1,P-1; Eng Ser No. 95501-95871
FP-PK8673	4		Piston w/Pin, Retainer & Rings	D31E-20 Eng Ser No. 40087-Up & A40523-Up; D31P-20A Eng Ser No. 45001-Up; D37E-5 Eng Ser No. 1606-Up & A1924-Up; D37P-5A Eng Ser No. 1543-Up; D38E-1,P-1 Eng Ser No. 85799-Up; D38E-1A,P-1A Eng Ser No. 86239-Up; D39E-1,P-1 Eng Ser No. 95872-Up; D39E-1A,P-1a Eng Ser No. 96338-Up
FP-6732-31-3411	8	Std.	Single Rod Bearing	
FP-6736-39-3400	8	.25MM	Single Rod Bearing	
FP-6736-38-3400	8	.50MM	Single Rod Bearing	
FP-6736-37-3400	8	.75MM	Single Rod Bearing	
FP-6736-36-3400	8	1.00MM	Single Rod Bearing	
FP-6732-29-8110	1	Std.	Main Bearing Set	
FP-6732-28-8100	1	.25MM	Main Bearing Set	
FP-6732-27-8100	1	.50MM	Main Bearing Set	
FP-6732-26-8100	1	.75MM	Main Bearing Set	
FP-6732-25-8100	1	1.00MM	Main Bearing Set	
FP-6731-11-9990	1		Head Gasket Set	
FP-1816593	1		Oil Pan Gasket (silicone sealant)	



Komatsu In-Frame Engine Kits

Kit Number: FP-IFK-S4D102EB

COMPONENT NO.	QTY.	PART SIZE	PART DESCRIPTION	PART APPLICATION
FP-6736-31-2030	4		Single Cylinder Ring Set	WA120-C model Ser No A20001-Up
FP-6735-01-3110	4		Piston Kit w/Pin & Retainers	
FP-PK8673	4		Piston w/Pin, Retainer & Rings	WA120-3 Avance Plus model Ser A31001-Up; WA120-3L model Ser A30001-Up; 1AA. 1AE Eng Ser no 26213103-Up; 1D, 1E, 1F-US, 1V, 1-NL Eng Ser no 26200163-Up; 1B Eng Ser no 26200282-Up
FP-6732-31-3411	8	Std.	Single Rod Bearing	
FP-6736-39-3400	8	.25MM	Single Rod Bearing	
FP-6736-38-3400	8	.50MM	Single Rod Bearing	
FP-6736-37-3400	8	.75MM	Single Rod Bearing	
FP-6736-36-3400	8	1.00MM	Single Rod Bearing	
FP-6732-29-8110	1	Std.	Main Bearing Set	
FP-6732-28-8100	1	.25MM	Main Bearing Set	
FP-6732-27-8100	1	.50MM	Main Bearing Set	
FP-6732-26-8100	1	.75MM	Main Bearing Set	
FP-6732-25-8100	1	1.00MM	Main Bearing Set	
FP-6731-11-9990	1		Head Gasket Set	
FP-1816593	1		Oil Pan Gasket (silicone sealant)	

Kit Number: FP-IFK-SA4D102E

COMPONENT NO.	QTY.	PART SIZE	PART DESCRIPTION	PART APPLICATION
FP-6733-31-2110	4		Piston Kit w/Retainers & Rings	1AA, 1AC Eng Ser No. 21240928-Up;
FP-6731-31-2410	4		Piston Pin	1AE Eng Ser No. 26213103-Up
FP-PK8673	8		Piston w/Pin, Retainer & Rings	Build 1AB, Model PW170ES-K 24271444-Up; Build 1AB, Model PW170ES-6K-KA 21240928-Up;
FP-6732-31-3411	8	Std.	Single Rod Bearing	
FP-6736-39-3400	8	.25MM	Single Rod Bearing	
FP-6736-38-3400	8	.50MM	Single Rod Bearing	
FP-6736-37-3400	8	.75MM	Single Rod Bearing	
FP-6736-36-3400	1	1.00MM	Single Rod Bearing	
FP-6732-29-8110	1	Std.	Main Bearing Set	
FP-6732-28-8100	1	.25MM	Main Bearing Set	
FP-6732-27-8100	1	.50MM	Main Bearing Set	
FP-6732-26-8100	1	.75MM	Main Bearing Set	
FP-6732-25-8100	1	1.00MM	Main Bearing Set	
FP-6731-11-9990	1		Head Gasket Set	
FP-1816593	1		Oil Pan Gasket (silicone sealant)	

Komatsu In-Frame Engine Kits



Kit Number: FP-IFK-SAA4D102E

COMPONENT NO.	QTY.	PART SIZE	PART DESCRIPTION	PART APPLICATION
FP-PK8673	4		Piston w/Pin, Retainer & Rings	
FP-6732-31-3411	8	Std.	Single Rod Bearing	
FP-6736-39-3400	8	.25MM	Single Rod Bearing	
FP-6736-38-3400	8	.50MM	Single Rod Bearing	
FP-6736-37-3400	8	.75MM	Single Rod Bearing	
FP-6736-36-3400	8	1.00MM	Single Rod Bearing	
FP-6732-29-8110	1	Std.	Main Bearing Set	
FP-6732-28-8100	1	.25MM	Main Bearing Set	
FP-6732-27-8100	1	.50MM	Main Bearing Set	
FP-6732-26-8100	1	.75MM	Main Bearing Set	
FP-6732-25-8100	1	1.00MM	Main Bearing Set	
FP-6731-11-9990	1		Head Gasket Set	
FP-1816593	1		Oil Pan Gasket (silicone sealant)	

Kit Number: FP-IFK-S6D102

COMPONENT NO.	QTY.	PART SIZE	PART DESCRIPTION	PART APPLICATION
FP-6736-31-2030	6		Single Cylinder Ring Set	
FP-6735-01-3110	6		Piston Kit w/Pin & Retainers	
FP-6732-31-3411	12	Std.	Single Rod Bearing	
FP-6736-39-3400	12	.25MM	Single Rod Bearing	
FP-6736-38-3400	12	.50MM	Single Rod Bearing	
FP-6736-37-3400	12	.75MM	Single Rod Bearing	
FP-6736-36-3400	12	1.00MM	Single Rod Bearing	
FP-6735-21-8100	1	Std.	Main Bearing Set	
FP-6736-29-8100	1	.25MM	Main Bearing Set	
FP-6736-28-8100	1	.50MM	Main Bearing Set	
FP-6736-27-8100	1	.75MM	Main Bearing Set	
FP-6736-26-8100	1	1.00MM	Main Bearing Set	
FP-6731-11-9990	1		Head Gasket Set	
FP-6735-21-5661	1		Oil Pan Gasket	



Komatsu In-Frame Engine Kits

Kit Number: FP-IFK-SA6D102

COMPONENT NO.	QTY.	PART SIZE	PART DESCRIPTION	PART APPLICATION
FP-6736-31-2010	6		Piston Kit w/Retainers & Rings	
FP-6731-31-2410	6		Piston Pin	
FP-6732-31-3411	12	Std.	Single Rod Bearing	
FP-6736-39-3400	12	.25MM	Single Rod Bearing	
FP-6736-38-3400	12	.50MM	Single Rod Bearing	
FP-6736-37-3400	12	.75MM	Single Rod Bearing	
FP-6736-36-3400	12	1.00MM	Single Rod Bearing	
FP-6735-21-8100	1	Std.	Main Bearing Set	
FP-6736-29-8100	1	.25MM	Main Bearing Set	
FP-6736-28-8100	1	.50MM	Main Bearing Set	
FP-6736-27-8100	1	.75MM	Main Bearing Set	
FP-6736-26-8100	1	1.00MM	Main Bearing Set	
FP-6731-11-9990	1		Head Gasket Set	
FP-6735-21-5661	1		Oil Pan Gasket	

Kit Number: FP-IFK-S6D102E

COMPONENT NO.	QTY.	PART SIZE	PART DESCRIPTION	PART APPLICATION
FP-6736-31-2010	6		Piston Kit w/Retainers & Rings	1AA Eng Ser No. 2118000-Up Exc. PC210
FP-6731-31-2410	6		Piston Pin	Models
FP-6735-01-3110	6		Piston Kit w/Pin & Retainers	Build 1; GD530A-1, AW-1; 1AA Eng Ser No.
FP-6736-31-2030	6		Single Cylinder Ring Set	2118000-Up PC210 Models
FP-PK8673	6		Piston w/Pin, Retainer & Rings	Build 1 GD530A-2B, A2-C, AW2, AW2-C, Build 1T GD521A-1E; 1C, 1C-z, 1C-US, 1F, 1FL-S2, 1AB, 1AC; All Dozers; All Wheel Loaders
FP-6732-31-3411	12	Std.	Single Rod Bearing	
FP-6736-39-3400	12	.25MM	Single Rod Bearing	
FP-6736-38-3400	12	.50MM	Single Rod Bearing	
FP-6736-37-3400	12	.75MM	Single Rod Bearing	
FP-6736-36-3400	12	1.00MM	Single Rod Bearing	
FP-6735-21-8100	1	Std.	Main Bearing Set	
FP-6736-29-8100	1	.25MM	Main Bearing Set	
FP-6736-28-8100	1	.50MM	Main Bearing Set	
FP-6736-27-8100	1	.75MM	Main Bearing Set	
FP-6736-26-8100	1	1.00MM	Main Bearing Set	
FP-6731-11-9990	1		Head Gasket Set	
FP-6735-21-5661	1		Oil Pan Gasket	

Komatsu In-Frame Engine Kits



Kit Number: FP-IFK-SA6D102E

COMPONENT NO.	QTY.	PART SIZE	PART DESCRIPTION	PART APPLICATION
FP-6733-31-2110	6		Piston Kit w/Retainers & Rings	PC270, PC290; 1-GD Grader; Exc Wheel
FP-6731-31-2410	6		Piston Pin	Loaders
FP-PK8673	6		Piston w/Pin, Retainer & Rings	Wheel Loaders; Build 1 Eng Ser No. 21296537-Up Exc. PC270,PC290; 1C Eng Ser No. 26200467-Up Exc PC270,PC290
FP-6732-31-3411	12	Std.	Single Rod Bearing	
FP-6736-39-3400	12	.25MM	Single Rod Bearing	
FP-6736-38-3400	12	.50MM	Single Rod Bearing	
FP-6736-37-3400	12	.75MM	Single Rod Bearing	
FP-6736-36-3400	12	1.00MM	Single Rod Bearing	
FP-6735-21-8100	1	Std.	Main Bearing Set	
FP-6736-29-8100	1	.25MM	Main Bearing Set	
FP-6736-28-8100	1	.50MM	Main Bearing Set	
FP-6736-27-8100	1	.75MM	Main Bearing Set	
FP-6736-26-8100	1	1.00MM	Main Bearing Set	
FP-6731-11-9990	1		Head Gasket Set	
FP-6735-21-5661	1		Oil Pan Gasket	

Kit Number: FP-IFK-SAA6D102E

COMPONENT NO.	QTY.	PART SIZE	PART DESCRIPTION	PART APPLICATION
FP-6738-31-2031	6		Single Cylinder Ring Set	
FP-6738-31-2140	6		Piston Kit w/Pin & Retainers	
FP-6732-31-3411	12	Std.	Single Rod Bearing	
FP-6736-39-3400	12	.25MM	Single Rod Bearing	
FP-6736-38-3400	12	.50MM	Single Rod Bearing	
FP-6736-37-3400	12	.75MM	Single Rod Bearing	
FP-6736-36-3400	12	1.00MM	Single Rod Bearing	
FP-6735-21-8100	1	Std.	Main Bearing Set	
FP-6736-29-8100	1	.25MM	Main Bearing Set	
FP-6736-28-8100	1	.50MM	Main Bearing Set	
FP-6736-27-8100	1	.75MM	Main Bearing Set	
FP-6736-26-8100	1	1.00MM	Main Bearing Set	
FP-6731-11-9990	1		Head Gasket Set	
FP-6735-21-5661	1		Oil Pan Gasket	



Komatsu In-Frame Engine Kits

Kit Number: FP-IFK-4D105A

COMPONENT NO.	QTY.	PART SIZE	PART DESCRIPTION	PART APPLICATION
FP-LK322110	4		Cylinder Kit Complete	Eng Ser No. 106581 to 152519
FP-LK362120	4		Cylinder Kit Complete	Eng Ser No. 152520-Up
FP-6138-31-3040	4	Std.	Rod Bearing Pair	
FP-6138-39-3040	4	.25MM	Rod Bearing Pair	
FP-6138-38-3040	4	.50MM	Rod Bearing Pair	
FP-6138-37-3040	4	.75MM	Rod Bearing Pair	
FP-6138-36-3040	4	1.00MM	Rod Bearing Pair	
FP-6136-21-8010	4	Std.	Flanged Main Bearing	
FP-6136-29-8010	5	.25MM	Flanged Main Bearing	
FP-6136-28-8010	5	.50MM	Flanged Main Bearing	
FP-6136-27-8010	5	.75MM	Flanged Main Bearing	
FP-6136-26-8010	5	1.00MM	Flanged Main Bearing	
FP-6134-21-8050	5	Std.	Thrust Washer	
FP-6134-29-8050	1	.25MM	Thrust Washer	
FP-6134-28-8050	1	.50MM	Thrust Washer	
FP-6134-27-8050	1	.75MM	Thrust Washer	
FP-6134-26-8050	1	1.00MM	Thrust Washer	
FP-6134-K1-9901	1		Head Gasket Set	
FP-6134-21-5830	1		Oil Pan Gasket	

Kit Number: FP-IFK-4D105B

COMPONENT NO.	QTY.	PART SIZE	PART DESCRIPTION	PART APPLICATION
FP-LK302110	4		Cylinder Kit Complete	Build 3C Eng Ser No. 40138-Up
FP-6130-31-3041	4	Std.	Rod Bearing Pair	
FP-6130-39-3041	4	.25MM	Rod Bearing Pair	
FP-6130-38-3041	4	.50MM	Rod Bearing Pair	
FP-6130-37-3041	4	.75MM	Rod Bearing Pair	
FP-6130-36-3041	4	1.00MM	Rod Bearing Pair	
FP-6130-21-8011	3	Std.	Flanged Main Bearing	1-2-4
FP-6130-21-8021	2	Std.	Flanged Main Bearing	3-5
FP-6130-29-8101	1	.25MM	Main Bearing Set	
FP-6130-28-8101	1	.50MM	Main Bearing Set	
FP-6130-27-8101	1	.75MM	Main Bearing Set	
FP-6130-26-8101	1	1.00MM	Main Bearing Set	
FP-6130-21-8500	1	Std.	Thrust Washer	
FP-6130-29-8500	1	.25MM	Thrust Washer	
FP-6130-28-8500	1	.50MM	Thrust Washer	
FP-6130-27-8500	1	.75MM	Thrust Washer	
FP-6130-26-8500	1	1.00MM	Thrust Washer	
FP-6131-K1-9901	1		Head Gasket Set	
FP-6130-21-5812	1		Oil Pan Gasket	

Komatsu In-Frame Engine Kits



Kit Number: FP-IFK-S4D105A

COMPONENT NO.	QTY.	PART SIZE	PART DESCRIPTION	PART APPLICATION
FP-LK312110	4		Cylinder Kit Complete	1B, 1C, 2B, 2C Dozers
FP-LK322120	4		Cylinder Kit Complete	3B, 3C Dozers
FP-6130-31-3041	4	Std.	Rod Bearing Pair	
FP-6130-39-3041	4	.25MM	Rod Bearing Pair	
FP-6130-38-3041	4	.50MM	Rod Bearing Pair	
FP-6130-37-3041	4	.75MM	Rod Bearing Pair	
FP-6130-36-3041	4	1.00MM	Rod Bearing Pair	
FP-6130-21-8011	3	Std.	Flanged Main Bearing	1-2-4
FP-6130-21-8021	2	Std.	Flanged Main Bearing	3-5
FP-6130-29-8101	1	.25MM	Main Bearing Set	
FP-6130-28-8101	1	.50MM	Main Bearing Set	
FP-6130-27-8101	1	.75MM	Main Bearing Set	
FP-6130-26-8101	1	1.00MM	Main Bearing Set	
FP-6130-21-8500	1	Std.	Thrust Washer	
FP-6130-29-8500	1	.25MM	Thrust Washer	
FP-6130-28-8500	1	.50MM	Thrust Washer	
FP-6130-27-8500	1	.75MM	Thrust Washer	
FP-6130-26-8500	1	1.00MM	Thrust Washer	
FP-6131-K1-9901	1		Head Gasket Set	
FP-6130-21-5812	1		Oil Pan Gasket	

Kit Number: FP-IFK-S4D105B

COMPONENT NO.	QTY.	PART SIZE	PART DESCRIPTION	PART APPLICATION
FP-LK312112	4		Cylinder Kit Complete	Eng Ser No. 100028 to 149999
FP-LK72110	4		Cylinder Kit Complete	Eng Ser No. 150001-Up
FP-6138-31-3040	4	Std.	Rod Bearing Pair	
FP-6138-39-3040	4	.25MM	Rod Bearing Pair	
FP-6138-38-3040	4	.50MM	Rod Bearing Pair	
FP-6138-37-3040	4	.75MM	Rod Bearing Pair	
FP-6138-36-3040	4	1.00MM	Rod Bearing Pair	
FP-6136-21-8010	3	Std.	Flanged Main Bearing	
FP-6136-29-8010	2	.25MM	Flanged Main Bearing	
FP-6136-28-8010	1	.50MM	Flanged Main Bearing	
FP-6136-27-8010	1	.75MM	Flanged Main Bearing	
FP-6136-26-8010	1	1.00MM	Flanged Main Bearing	
FP-6134-21-8050	1	Std.	Thrust Washer	
FP-6134-29-8050	1	.25MM	Thrust Washer	
FP-6134-28-8050	1	.50MM	Thrust Washer	
FP-6134-27-8050	1	.75MM	Thrust Washer	
FP-6134-26-8050	1	1.00MM	Thrust Washer	
FP-6135-K1-9901	1		Head Gasket Set	
FP-6134-21-5830	1		Oil Pan Gasket	



Komatsu In-Frame Engine Kits

Kit Number: FP-IFK-6D105

COMPONENT NO.	QTY.	PART SIZE	PART DESCRIPTION	PART APPLICATION
FP-LK62112	6		Cylinder Kit Complete	1F, 1M-P, 1P, Eng Ser No. 15149 to 49999
FP-LK322110	6		Cylinder Kit Complete	1F, 1M-P, 1P, 1U, 1Z, 1BB, Eng Ser No. 50001-Up
FP-6138-31-3040	6	Std.	Rod Bearing Pair	
FP-6138-39-3040	6	.25MM	Rod Bearing Pair	
FP-6138-38-3040	6	.50MM	Rod Bearing Pair	
FP-6138-37-3040	6	.75MM	Rod Bearing Pair	
FP-6138-36-3040	6	1.00MM	Rod Bearing Pair	
FP-6136-21-8010	7	Std.	Flanged Main Bearing	
FP-6136-29-8010	7	.25MM	Flanged Main Bearing	
FP-6136-28-8010	7	.50MM	Flanged Main Bearing	
FP-6136-27-8010	7	.75MM	Flanged Main Bearing	
FP-6136-26-8010	7	1.00MM	Flanged Main Bearing	
FP-6134-21-8050	1	Std.	Thrust Washer	
FP-6134-29-8050	1	.25MM	Thrust Washer	
FP-6134-28-8050	1	.50MM	Thrust Washer	
FP-6134-27-8050	1	.75MM	Thrust Washer	
FP-6134-26-8050	1	1.00MM	Thrust Washer	
FP-6136-K1-9901	1		Head Gasket Set	
FP-6136-21-5821	1		Oil Pan Gasket	

Kit Number: FP-IFK-S6D105

COMPONENT NO.	QTY.	PART SIZE	PART DESCRIPTION	PART APPLICATION
FP-LK72110	6		Cylinder Kit Complete	1F, 1G Eng Ser No. 50001-Up
FP-LK312112	6		Cylinder Kit Complete	1F, 1G Eng Ser No. 12124 to 49999
FP-LK322130	6		Cylinder Kit Complete	Build 1 Grader; 1KK, 1NN, 1PP, 1YY, 1ZZ; All Wheel Loaders
FP-LK372110	6		Cylinder Kit Complete	1B, 1Z, 1V V, B-1A
FP-6138-31-3040	6	Std.	Rod Bearing Pair	
FP-6138-39-3040	6	.25MM	Rod Bearing Pair	
FP-6138-38-3040	6	.50MM	Rod Bearing Pair	
FP-6138-37-3040	6	.75MM	Rod Bearing Pair	
FP-6138-36-3040	6	1.00MM	Rod Bearing Pair	
FP-6136-21-8010	7	Std.	Flanged Main Bearing	
FP-6136-29-8010	7	.25MM	Flanged Main Bearing	
FP-6136-28-8010	7	.50MM	Flanged Main Bearing	
FP-6136-27-8010	7	.75MM	Flanged Main Bearing	
FP-6136-26-8010	7	1.00MM	Flanged Main Bearing	
FP-6134-21-8050	1	Std.	Thrust Washer	
FP-6134-29-8050	1	.25MM	Thrust Washer	
FP-6134-28-8050	1	.50MM	Thrust Washer	
FP-6134-27-8050	1	.75MM	Thrust Washer	
FP-6134-26-8050	1	1.00MM	Thrust Washer	
FP-6137-K1-9901	1		Head Gasket Set	
FP-6136-21-5821	1		Oil Pan Gasket	

Komatsu In-Frame Engine Kits



Kit Number: FP-IFK-S6D114

COMPONENT NO.	QTY.	PART SIZE	PART DESCRIPTION	PART APPLICATION
FP-1295692H91	6		Cylinder Kit Complete	Build 1 Eng Ser No. 44706125
FP-1295706H91	6		Cylinder Kit Complete	Build 1 Eng Ser No. 44706126-Up
FP-6742-01-2750	12	Std.	Single Rod Bearing	
FP-6742-01-2810	12	.25MM	Single Rod Bearing	
FP-6742-01-2820	12	.50MM	Single Rod Bearing	
FP-6742-01-2830	12	.75MM	Single Rod Bearing	
FP-6742-01-2840	12	1.00MM	Single Rod Bearing	
FP-6742-01-5199	1	Std.	Main Bearing Set	
FP-6742-01-5233	1	.25MM	Main Bearing Set	
FP-6742-01-5240	1	.50MM	Main Bearing Set	
FP-6742-01-5287	1	.75MM	Main Bearing Set	
FP-6742-01-5288	1	1.00MM	Main Bearing Set	
FP-6742-01-4280	1		Head Gasket Set	
FP-6742-01-5308	1		Oil Pan Gasket	

Kit Number: FP-IFK-SA6D114

COMPONENT NO.	QTY.	PART SIZE	PART DESCRIPTION	PART APPLICATION
FP-LK6742	6		Cylinder Kit Complete	All Exc. 1AA Eng Ser No. 21271827-Up
FP-6742-01-5069	6		Cylinder Kit Complete	1AA Eng Ser No. 21271827-Up
FP-6742-01-2750	12	Std.	Single Rod Bearing	
FP-6742-01-2810	12	.25MM	Single Rod Bearing	
FP-6742-01-2820	12	.50MM	Single Rod Bearing	
FP-6742-01-2830	12	.75MM	Single Rod Bearing	
FP-6742-01-2840	12	1.00MM	Single Rod Bearing	
FP-6742-01-5199	1	Std.	Main Bearing Set	
FP-6742-01-5233	1	.25MM	Main Bearing Set	
FP-6742-01-5240	1	.50MM	Main Bearing Set	
FP-6742-01-5287	1	.75MM	Main Bearing Set	
FP-6742-01-5288	1	1.00MM	Main Bearing Set	
FP-6742-01-4280	1		Head Gasket Set	
FP-6742-01-5308	1		Oil Pan Gasket	



Komatsu In-Frame Engine Kits

Kit Number: FP-IFK-SAA6D114

COMPONENT NO.	QTY.	PART SIZE	PART DESCRIPTION	PART APPLICATION
FP-LK5159	6		Cylinder Kit Complete	
FP-6742-01-2750	12	Std.	Single Rod Bearing	
FP-6742-01-2810	12	.25MM	Single Rod Bearing	
FP-6742-01-2820	12	.50MM	Single Rod Bearing	
FP-6742-01-2830	12	.75MM	Single Rod Bearing	
FP-6742-01-2840	12	1.00MM	Single Rod Bearing	
FP-6742-01-5199	1	Std.	Main Bearing Set	
FP-6742-01-5233	1	.25MM	Main Bearing Set	
FP-6742-01-5240	1	.50MM	Main Bearing Set	
FP-6742-01-5287	1	.75MM	Main Bearing Set	
FP-6742-01-5288	1	1.00MM	Main Bearing Set	
FP-6742-01-4280	1		Head Gasket Set	
FP-6742-01-5308	1		Oil Pan Gasket	

Kit Number: FP-IFK-S6D114E

COMPONENT NO.	QTY.	PART SIZE	PART DESCRIPTION	PART APPLICATION
FP-1307230H91	6		Cylinder Kit Complete	
FP-6742-01-2750	12	Std.	Single Rod Bearing	
FP-6742-01-2810	12	.25MM	Single Rod Bearing	
FP-6742-01-2820	12	.50MM	Single Rod Bearing	
FP-6742-01-2830	12	.75MM	Single Rod Bearing	
FP-6742-01-2840	12	1.00MM	Single Rod Bearing	
FP-6742-01-5199	1	Std.	Main Bearing Set	
FP-6742-01-5233	1	.25MM	Main Bearing Set	
FP-6742-01-5240	1	.50MM	Main Bearing Set	
FP-6742-01-5287	1	.75MM	Main Bearing Set	
FP-6742-01-5288	1	1.00MM	Main Bearing Set	
FP-6742-01-4280	1		Head Gasket Set	
FP-6742-01-5308	1		Oil Pan Gasket	

Komatsu In-Frame Engine Kits



Kit Number: FP-IFK-SA6D114E

COMPONENT NO.	QTY.	PART SIZE	PART DESCRIPTION	PART APPLICATION
FP-1307230H91	6		Cylinder Kit Complete	Build 1, 1A, 1A-KU
FP-LK5159	6		Cylinder Kit Complete	Build 1-GD
FP-6742-01-2750	12	Std.	Single Rod Bearing	
FP-6742-01-2810	12	.25MM	Single Rod Bearing	
FP-6742-01-2820	12	.50MM	Single Rod Bearing	
FP-6742-01-2830	12	.75MM	Single Rod Bearing	
FP-6742-01-2840	12	1.00MM	Single Rod Bearing	
FP-6742-01-5199	1	Std.	Main Bearing Set	
FP-6742-01-5233	1	.25MM	Main Bearing Set	
FP-6742-01-5240	1	.50MM	Main Bearing Set	
FP-6742-01-5287	1	.75MM	Main Bearing Set	
FP-6742-01-5288	1	1.00MM	Main Bearing Set	
FP-6742-01-4280	1		Head Gasket Set	
FP-6742-01-5308	1		Oil Pan Gasket	

Kit Number: FP-IFK-SAA6D114E

COMPONENT NO.	QTY.	PART SIZE	PART DESCRIPTION	PART APPLICATION
FP-1307230H91	6		Cylinder Kit Complete	Wheel Loader Build 1 Up to Eng Ser No. 21301476
FP-LK6743	6		Cylinder Kit Complete	Excavator, Wheel Loader Build 2, 2B-A Eng Ser No. 26800003-Up
FP-6742-01-2750	12	Std.	Single Rod Bearing	
FP-6742-01-2810	12	.25MM	Single Rod Bearing	
FP-6742-01-2820	12	.50MM	Single Rod Bearing	
FP-6742-01-2830	12	.75MM	Single Rod Bearing	
FP-6742-01-2840	12	1.00MM	Single Rod Bearing	
FP-6742-01-5199	1	Std.	Main Bearing Set	
FP-6742-01-5233	1	.25MM	Main Bearing Set	
FP-6742-01-5240	1	.50MM	Main Bearing Set	
FP-6742-01-5287	1	.75MM	Main Bearing Set	
FP-6742-01-5288	1	1.00MM	Main Bearing Set	
FP-6742-01-4280	1		Head Gasket Set	
FP-6742-01-5308	1		Oil Pan Gasket	



Komatsu In-Frame Engine Kits

Kit Number: FP-IFK-6D125

COMPONENT NO.	QTY.	PART SIZE	PART DESCRIPTION	PART APPLICATION
FP-LK502112	6		Cylinder Kit Complete	
FP-6150-31-3040	6	Std.	Rod Bearing Pair	
FP-6150-39-3040	6	.25MM	Rod Bearing Pair	
FP-6150-38-3040	6	.50MM	Rod Bearing Pair	
FP-6150-37-3040	6	.75MM	Rod Bearing Pair	
FP-6150-36-3040	6	1.00MM	Rod Bearing Pair	
FP-6150-21-8010	7	Std.	Flanged Main Bearing	
FP-6150-29-8010	7	.25MM	Flanged Main Bearing	
FP-6150-28-8010	7	.50MM	Flanged Main Bearing	
FP-6150-27-8010	7	.75MM	Flanged Main Bearing	
FP-6150-26-8010	7	1.00MM	Flanged Main Bearing	
FP-6150-21-8050	1	Std.	Thrust Washer	
FP-6150-29-8050	1	.25MM	Thrust Washer	
FP-6150-28-8050	1	.50MM	Thrust Washer	
FP-6150-27-8050	1	.75MM	Thrust Washer	
FP-6150-26-8050	1	1.00MM	Thrust Washer	
FP-6150-K1-9901	1		Head Gasket Set	
FP-6150-21-5812	1		Oil Pan Gasket	

Komatsu In-Frame Engine Kits



Kit Number: FP-IFK-S6D125

COMPONENT NO.	QTY.	PART SIZE	PART DESCRIPTION	PART APPLICATION
FP-LK512150	6		Cylinder Kit Complete	1E Eng Ser No. 23193-Up; 1AG Eng Ser No. 51975-Up; 1FF Eng Ser No. 24781-Up Dozers
FP-LK512171	6		Cylinder Kit Complete	1S Eng Ser No. 23689-Up; 1CC Eng Ser No. 22313-Up; 1CC-C Eng Ser No. 22313-Up; 1GG Eng Ser No. 25851-Up
FP-LK512710	6		Cylinder Kit Complete	1B8 Eng Ser No. 22230-Up; 1C Eng Ser No. 10001-Up; 1D-AR, 1E Eng Ser No. 10006 to 23192; 1F Eng Ser No. 10001-Up; 1R Eng Ser No. 16790-Up; 1S Eng Ser No. 13137 to 23688; 1T Eng Ser No. 13444-Up; 1EE Eng Ser No. 10001-Up; 1V V Eng Ser No. 35323 to 48087; All Wheel Loaders
FP-6150-31-3040	6	Std.	Rod Bearing Pair	Exc. 1B8 Eng Ser No. 22230-Up; 1C Eng Ser No. 10001-Up; 1D-AR Eng Ser No. 10001-Up; 1R Eng Ser No. 16790-Up; 1S Eng Ser No. 13137 to 23688; 1T Eng Ser No. 13444-Up; 1EE Eng Ser No. 10001-Up; 1V V Eng Ser No. 35323-Up; All Wheel Loaders
FP-6150-39-3040	6	.25MM	Rod Bearing Pair	Exc. 1B8 Eng Ser No. 22230-Up; 1C Eng Ser No. 10001-Up; 1D-AR Eng Ser No. 10001-Up; 1R Eng Ser No. 16790-Up; 1S Eng Ser No. 13137 to 23688; 1T Eng Ser No. 13444-Up; 1EE Eng Ser No. 10001-Up; 1V V Eng Ser No. 35323-Up; All Wheel Loaders
FP-6150-38-3040	6	.50MM	Rod Bearing Pair	Exc. 1B8 Eng Ser No. 22230-Up; 1C Eng Ser No. 10001-Up; 1D-AR Eng Ser No. 10001-Up; 1R Eng Ser No. 16790-Up; 1S Eng Ser No. 13137 to 23688; 1T Eng Ser No. 13444-Up; 1EE Eng Ser No. 10001-Up; 1V V Eng Ser No. 35323-Up; All Wheel Loaders
FP-6150-37-3040	6	.75MM	Rod Bearing Pair	Exc. 1B8 Eng Ser No. 22230-Up; 1C Eng Ser No. 10001-Up; 1D-AR Eng Ser No. 10001-Up; 1R Eng Ser No. 16790-Up; 1S Eng Ser No. 13137 to 23688; 1T Eng Ser No. 13444-Up; 1EE Eng Ser No. 10001-Up; 1V V Eng Ser No. 35323-Up; All Wheel Loaders
FP-6150-36-3040	6	1.00MM	Rod Bearing Pair	Exc. 1B8 Eng Ser No. 22230-Up; 1C Eng Ser No. 10001-Up; 1D-AR Eng Ser No. 10001-Up; 1R Eng Ser No. 16790-Up; 1S Eng Ser No. 13137 to 23688; 1T Eng Ser No. 13444-Up; 1EE Eng Ser No. 10001-Up; 1V V Eng Ser No. 35323-Up; All Wheel Loaders
FP-6151-31-3040	6	Std.	Rod Bearing Pair	1B8 Eng Ser No. 22230-Up; 1C Eng Ser No. 10001-Up; 1D-AR Eng Ser No. 10001-Up; 1R Eng Ser No. 16790-Up; 1S Eng Ser No. 13137 to 23688; 1T Eng Ser No. 13444-Up; 1EE Eng Ser No. 10001-Up; 1V V Eng Ser No. 35323-Up; All Wheel Loaders
FP-6151-39-3040	5	.25MM	Rod Bearing Pair	1B8 Eng Ser No. 22230-Up; 1C Eng Ser No. 10001-Up; 1D-AR Eng Ser No. 10001-Up; 1R Eng Ser No. 16790-Up; 1S Eng Ser No. 13137 to 23688; 1T Eng Ser No. 13444-Up; 1EE Eng Ser No. 10001-Up; 1V V Eng Ser No. 35323-Up; All Wheel Loaders
FP-6151-38-3040	6	.50MM	Rod Bearing Pair	1B8 Eng Ser No. 22230-Up; 1C Eng Ser No. 10001-Up; 1D-AR Eng Ser No. 10001-Up; 1R Eng Ser No. 16790-Up; 1S Eng Ser No. 13137 to 23688; 1T Eng Ser No. 13444-Up; 1EE Eng Ser No. 10001-Up; 1V V Eng Ser No. 35323-Up; All Wheel Loaders
FP-6151-37-3040	6	.75MM	Rod Bearing Pair	1B8 Eng Ser No. 22230-Up; 1C Eng Ser No. 10001-Up; 1D-AR Eng Ser No. 10001-Up; 1R Eng Ser No. 16790-Up; 1S Eng Ser No. 13137 to 23688; 1T Eng Ser No. 13444-Up; 1EE Eng Ser No. 10001-Up; 1V V Eng Ser No. 35323-Up; All Wheel Loaders
FP-6151-36-3040	6	1.00MM	Rod Bearing Pair	1B8 Eng Ser No. 22230-Up; 1C Eng Ser No. 10001-Up; 1D-AR Eng Ser No. 10001-Up; 1R Eng Ser No. 16790-Up; 1S Eng Ser No. 13137 to 23688; 1T Eng Ser No. 13444-Up; 1EE Eng Ser No. 10001-Up; 1V V Eng Ser No. 35323-Up; All Wheel Loaders

Kit number FP-IFKS6D125 is continued to the next page



Komatsu In-Frame Engine Kits

Kit Number: FP-IFK-S6D125 (CONT'D)

COMPONENT NO.	QTY.	PART SIZE	PART DESCRIPTION	PART APPLICATION
FP-6150-21-8010	7	Std.	Flanged Main Bearing	
FP-6150-29-8010	7	.25MM	Flanged Main Bearing	
FP-6150-28-8010	7	.50MM	Flanged Main Bearing	
FP-6150-27-8010	7	.75MM	Flanged Main Bearing	
FP-6150-26-8010	7	1.00MM	Flanged Main Bearing	
FP-6150-21-8050	1	Std.	Thrust Washer	
FP-6150-29-8050	1	.25MM	Thrust Washer	
FP-6150-28-8050	1	.50MM	Thrust Washer	
FP-6150-27-8050	1	.75MM	Thrust Washer	
FP-6150-26-8050	1	1.00MM	Thrust Washer	
FP-6151-K1-9901	1		Head Gasket Set	
FP-6150-21-5812	1		Oil Pan Gasket	

Kit Number: FP-IFK-SA6D125

COMPONENT NO.	QTY.	PART SIZE	PART DESCRIPTION	PART APPLICATION
FP-LK522113	6		Cylinder Kit Complete	
FP-6151-31-3040	6	Std.	Rod Bearing Pair	
FP-6151-39-3040	6	.25MM	Rod Bearing Pair	
FP-6151-38-3040	6	.50MM	Rod Bearing Pair	
FP-6151-37-3040	6	.75MM	Rod Bearing Pair	
FP-6151-36-3040	6	1.00MM	Rod Bearing Pair	
FP-6150-21-8010	7	Std.	Flanged Main Bearing	
FP-6150-29-8010	7	.25MM	Flanged Main Bearing	
FP-6150-28-8010	7	.50MM	Flanged Main Bearing	
FP-6150-27-8010	7	.75MM	Flanged Main Bearing	
FP-6150-26-8010	7	1.00MM	Flanged Main Bearing	
FP-6150-21-8050	1	Std.	Thrust Washer	
FP-6150-29-8050	1	.25MM	Thrust Washer	
FP-6150-28-8050	1	.50MM	Thrust Washer	
FP-6150-27-8050	1	.75MM	Thrust Washer	
FP-6150-26-8050	1	1.00MM	Thrust Washer	
FP-6152-K1-9901	1		Head Gasket Set	
FP-6150-21-5812	1		Oil Pan Gasket	

Komatsu In-Frame Engine Kits



Kit Number: FP-IFK-6D125E

COMPONENT NO.	QTY.	PART SIZE	PART DESCRIPTION	PART APPLICATION
FP-LK502110	6		Cylinder Kit Complete	Dozer
FP-LK522510	6		Cylinder Kit Complete	Excavator
FP-6151-31-3040	6	Std.	Rod Bearing Pair	
FP-6151-39-3040	6	.25MM	Rod Bearing Pair	
FP-6151-38-3040	6	.50MM	Rod Bearing Pair	
FP-6151-37-3040	6	.75MM	Rod Bearing Pair	
FP-6151-36-3040	6	1.00MM	Rod Bearing Pair	
FP-6150-21-8010	7	Std.	Flanged Main Bearing	
FP-6150-29-8010	7	.25MM	Flanged Main Bearing	
FP-6150-28-8010	7	.50MM	Flanged Main Bearing	
FP-6150-27-8010	7	.75MM	Flanged Main Bearing	
FP-6150-26-8010	7	1.00MM	Flanged Main Bearing	
FP-6150-21-8050	1	Std.	Thrust Washer	
FP-6150-29-8050	1	.25MM	Thrust Washer	
FP-6150-28-8050	1	.50MM	Thrust Washer	
FP-6150-27-8050	1	.75MM	Thrust Washer	
FP-6150-26-8050	1	1.00MM	Thrust Washer	
FP-6153-K1-9900	1		Head Gasket Set	Dozer
FP-6154-K1-9900	1		Head Gasket Set	Excavator
FP-6150-21-5812	1		Oil Pan Gasket	



Komatsu In-Frame Engine Kits

Kit Number: FP-IFK-S6D125E

COMPONENT NO.	QTY.	PART SIZE	PART DESCRIPTION	PART APPLICATION
FP-LK512110	6		Cylinder Kit Complete	2A, 2J
FP-LK522510	6		Cylinder Kit Complete	2; D87E-2, P-2; 2E, 2F, 2C
FP-6150-31-3040	6	Std.	Rod Bearing Pair	2; D87E-2, 2A, 2J
FP-6150-39-3040	6	.25MM	Rod Bearing Pair	2; D87E-2, 2A, 2J
FP-6150-38-3040	6	.50MM	Rod Bearing Pair	2; D87E-2, 2A, 2J
FP-6150-37-3040	6	.75MM	Rod Bearing Pair	2; D87E-2, 2A, 2J
FP-6150-36-3040	6	1.00MM	Rod Bearing Pair	2; D87E-2, 2A, 2J
FP-6151-31-3040	6	Std.	Rod Bearing Pair	2; D87P-2; 2E, 2F, 2C
FP-6151-39-3040	6	.25MM	Rod Bearing Pair	2; D87P-2; 2E, 2F, 2C
FP-6151-38-3040	6	.50MM	Rod Bearing Pair	2; D87P-2; 2E, 2F, 2C
FP-6151-37-3040	6	.75MM	Rod Bearing Pair	2; D87P-2; 2E, 2F, 2C
FP-6151-36-3040	6	1.00MM	Rod Bearing Pair	2; D87P-2; 2E, 2F, 2C
FP-6150-21-8010	7	Std.	Flanged Main Bearing	
FP-6150-29-8010	7	.25MM	Flanged Main Bearing	
FP-6150-28-8010	7	.50MM	Flanged Main Bearing	
FP-6150-27-8010	7	.75MM	Flanged Main Bearing	
FP-6150-26-8010	7	1.00MM	Flanged Main Bearing	
FP-6150-21-8050	1	Std.	Thrust Washer	
FP-6150-29-8050	1	.25MM	Thrust Washer	
FP-6150-28-8050	1	.50MM	Thrust Washer	
FP-6150-27-8050	1	.75MM	Thrust Washer	
FP-6150-26-8050	1	1.00MM	Thrust Washer	
FP-6154-K1-9900	1		Head Gasket Set	
FP-6150-21-5812	1		Oil Pan Gasket	

Komatsu In-Frame Engine Kits



Kit Number: FP-IFK-SA6D125E

COMPONENT NO.	QTY.	PART SIZE	PART DESCRIPTION	PART APPLICATION
FP-LK522510	6		Cylinder Kit Complete	
FP-6150-31-3040	6	Std.	Rod Bearing Pair	Build 2; Wheel Loaders
FP-6150-39-3040	6	.25MM	Rod Bearing Pair	Build 2; Wheel Loaders
FP-6150-38-3040	6	.50MM	Rod Bearing Pair	Build 2; Wheel Loaders
FP-6150-37-3040	6	.75MM	Rod Bearing Pair	Build 2; Wheel Loaders
FP-6150-36-3040	6	1.00MM	Rod Bearing Pair	Build 2; Wheel Loaders
FP-6151-31-3040	6	Std.	Rod Bearing Pair	2A, 2A-C, 2A-KU, 2G, 3A, 3B-7
FP-6151-39-3040	6	.25MM	Rod Bearing Pair	2A, 2A-C, 2A-KU, 2G, 3A, 3B-7
FP-6151-38-3040	6	.50MM	Rod Bearing Pair	2A, 2A-C, 2A-KU, 2G, 3A, 3B-7
FP-6151-37-3040	6	.75MM	Rod Bearing Pair	2A, 2A-C, 2A-KU, 2G, 3A, 3B-7
FP-6151-36-3040	6	1.00MM	Rod Bearing Pair	2A, 2A-C, 2A-KU, 2G, 3A, 3B-7
FP-6150-21-8010	7	Std.	Flanged Main Bearing	
FP-6150-29-8010	7	.25MM	Flanged Main Bearing	
FP-6150-28-8010	7	.50MM	Flanged Main Bearing	
FP-6150-27-8010	7	.75MM	Flanged Main Bearing	
FP-6150-26-8010	7	1.00MM	Flanged Main Bearing	
FP-6150-21-8050	1	Std.	Thrust Washer	
FP-6150-29-8050	1	.25MM	Thrust Washer	
FP-6150-28-8050	1	.50MM	Thrust Washer	
FP-6150-27-8050	1	.75MM	Thrust Washer	
FP-6150-26-8050	1	1.00MM	Thrust Washer	
FP-6154-K1-9900	1		Head Gasket Set	2A, PC400-6, 6C, 6Z
FP-6155-K1-9900	1		Head Gasket Set	Build 2, 2A exc. PC400-6, 6C, 6Z; 2A-C, 2A-KU, 2G
FP-6159-K1-9900	1		Head Gasket Set	3A, 3B-7
FP-6150-21-5812	1		Oil Pan Gasket	



Komatsu In-Frame Engine Kits

Kit Number: FP-IFK-SAA6D125E

COMPONENT NO.	QTY.	PART SIZE	PART DESCRIPTION	PART APPLICATION
FP-LK522510	6		Cylinder Kit Complete	
FP-6151-31-3040	6	Std.	Rod Bearing Pair	
FP-6151-39-3040	6	.25MM	Rod Bearing Pair	
FP-6151-38-3040	6	.50MM	Rod Bearing Pair	
FP-6151-37-3040	6	.75MM	Rod Bearing Pair	
FP-6151-36-3040	6	1.00MM	Rod Bearing Pair	
FP-6150-21-8010	7	Std.	Flanged Main Bearing	
FP-6150-29-8010	7	.25MM	Flanged Main Bearing	
FP-6150-28-8010	7	.50MM	Flanged Main Bearing	
FP-6150-27-8010	7	.75MM	Flanged Main Bearing	
FP-6150-26-8010	7	1.00MM	Flanged Main Bearing	
FP-6150-21-8050	1	Std.	Thrust Washer	
FP-6150-29-8050	1	.25MM	Thrust Washer	
FP-6150-28-8050	1	.50MM	Thrust Washer	
FP-6150-27-8050	1	.75MM	Thrust Washer	
FP-6150-26-8050	1	1.00MM	Thrust Washer	
FP-6154-K1-9900	1		Head Gasket Set	2D, PC400-6-T2
FP-6155-K1-9900	1		Head Gasket Set	2D, Exc. PC400-6-t2
FP-6159-K1-9900	1		Head Gasket Set	3G-8W, All Wheel Loaders
FP-6150-21-5812	1		Oil Pan Gasket	

Kit Number: FP-IFK-S6D155

COMPONENT NO.	QTY.	PART SIZE	PART DESCRIPTION	PART APPLICATION
FPLK612731-2140	6		Cylinder Kit Complete	
FP-6127-31-3042	6	Std.	Rod Bearing Pair	
FP-6127-39-3042	6	.25MM	Rod Bearing Pair	
FP-6127-38-3042	6	.50MM	Rod Bearing Pair	
FP-6127-37-3042	6	.75MM	Rod Bearing Pair	
FP-6127-36-3042	6	1.00MM	Rod Bearing Pair	
FP-6127-21-8002	1	Std.	Main Bearing Set W/Thrustwashers	
FP-6127-21-8071	1	Std.	Main Bearing Set W/Thrustwashers	
FP-6127-29-8071	1	.25MM	Main Bearing Set W/Thrustwashers	
FP-6127-28-8071	1	.50MM	Main Bearing Set W/Thrustwashers	
FP-6127-27-8071	1	.75MM	Main Bearing Set W/Thrustwashers	
FP-6127-26-8071	1	1.00MM	Main Bearing Set W/Thrustwashers	
FP-6127-21-8051	1	Std.	Thrust Washer	
FP-6128-K1-9901	1		Head Gasket Set	
FP-6127-21-5850	1		Oil Pan Gasket	

Komatsu In-Frame Engine Kits



Kit Number: FP-IFK-SA6D155

COMPONENT NO.	QTY.	PART SIZE	PART DESCRIPTION	PART APPLICATION
FPLK612831-2140	6		Cylinder Kit Complete	
FP-6127-31-3042	6	Std.	Rod Bearing Pair	
FP-6127-39-3042	6	.25MM	Rod Bearing Pair	
FP-6127-38-3042	6	.50MM	Rod Bearing Pair	
FP-6127-37-3042	6	.75MM	Rod Bearing Pair	
FP-6127-36-3042	6	1.00MM	Rod Bearing Pair	
FP-6127-21-8002	1	Std.	Main Bearing Set W/Thrustwashers	
FP-6127-21-8071	1	Std.	Main Bearing Set W/Thrustwashers	
FP-6127-29-8071	1	.25MM	Main Bearing Set W/Thrustwashers	
FP-6127-28-8071	1	.50MM	Main Bearing Set W/Thrustwashers	
FP-6127-27-8071	1	.75MM	Main Bearing Set W/Thrustwashers	
FP-6127-26-8071	1	1.00MM	Main Bearing Set W/Thrustwashers	
FP-6127-21-8051	1	Std.	Thrust Washer	
FP-6128-K1-9901	1		Head Gasket Set	
FP-6127-21-5850	1		Oil Pan Gasket	





REPLACEMENT PARTS FOR KOMATSU: AVAILABLE FROM FP DIESEL

ENGINE	4D95L- 4D95S- S4D95L	S4D102- SA4D102- SAA4D102	4D105- S4D105	6D95L- S6D95L- SA6D95L- SAA6D95L	S6D102- SA6D102- SAA6D102	6D105- S6D105	S6D114- SA6D114- SAA6D114	6D125- S6D125- SA6D125- SAA6D125	S6D155- SA6D155	KT19- KTA19- KT1150	NH220	NT855	KT38- KTA38- KT2300
Engine Kits	•	•	•	•	•	•	•	•	•		•	•	
Main Bearings	•	•	•	•	•	•	•	•	•	•	•	•	•
Rod Bearings	•	•	•	•	•	•	•	•	•	•	•	•	•
Cylinder Kits	•	•	•	•	•	•	•	•	•		•	•	
Liner Kits	•	•	•	•	•	•	•	•	•	•	•	•	•
Liners	•	•	•	•	•	•	•	•	•	•	•	•	•
Liner Shims										•		•	•
Piston Kits	•	•	•	•	•	•	•	•	•	•	•	•	•
Pistons	•	•	•	•	•	•	•	•	•	•	•	•	•
Ring Sets	•	•	•	•	•	•	•	•	•	•	•	•	•
Camshafts	•	•	•	•	•	•	•	•	•	•	•	•	•
Cam Bushings	•	•	•	•	•	•	•	•	•	•	•	•	•
Push Rods	•	•	•	•	•	•	•	•	•	•	•	•	•
Rocker Arm Parts									•	•	•	•	•
Cam Follower Parts									•	•	•	•	•
Valve Train	•	•	•	•	•	•	•	•	•	•	•	•	•
Vibration Damper										•	•	•	•
Gasket Sets	•	•	•	•	•	•	•	•	•	•	•	•	•
Crankshaft Seal	•	•	•	•	•	•	•	•	•	•	•	•	•
Crankshaft Sleeve	•	•	•	•	•	•	•	•	•	•	•	•	•
Accessory Drive	•	•	•	•	•	•	•	•	•			•	
Head Bolts										•	•	•	•
FUEL SYSTEM													
Fuel Pump Gaskets	•	•	•	•	•	•	•	•	•	•	•	•	•
Injectors - New	•	•	•	•	•	•	•	•	•	•	•	•	•
Injector Components										•	•	•	•
Injector Coppers											•	•	
Shutdown Solenoid										•	•	•	•
AIR SYSTEM													
Turbocharger Parts												•	
Aftercooler Parts										•	•	•	•
LUBE SYSTEM													
Oil Pumps	•	•	•	•	•	•	•	•	•			•	
Oil Cooler Cores										•	•	•	•
Oil Cooler Gaskets										•	•	•	•
Piston Cooling Nozzles												•	
COOLING SYSTEM													
Water Pumps	•	•	•	•	•	•	•	•	•		•	•	
Water Pump Kits	•	•	•	•	•	•	•	•	•	•		•	•
Water Pump Parts										•		•	•
Thermostats	•	•	•	•	•	•	•	•	•	•	•	•	•
SPECIALTY GASKET SETS													
Block Repair Bushings												•	
Sealant	•	•	•	•	•	•	•	•	•	•	•	•	•
NATURAL GAS PARTS													
											•	•	

Any high-horsepower engine, regardless of age, represents a brutal operating environment for pistons, rings, bearings, liners and other internal components. Yet not nearly as demanding as the engine durability and performance labs at Federal-Mogul Corporation's

Advanced Technology Centers

in Brockenhurst, England; Burscheid and Nuremberg, Germany; and Ann Arbor, Michigan.

As the **Global Leader in Heavy-duty Powertrain Systems**,

Federal-Mogul is instrumental in the development of every new generation of gasoline and diesel engine technology. Our global research centers are pioneering the use of new materials and designs that will become tomorrow's standards. And the consistent deployment of these advanced technologies throughout our technology centers means better



**PROVIDING THE
LATEST
TECHNOLOGIES
FOR EACH ENGINE PLATFORM**

Being a global manufacturer means investing in advanced technologies worldwide. On a daily basis, our engineers work to create engine and sealing solutions that address the dynamic forces found in each generation of diesel engines.

Our approach is to offer the best materials for each application. So we employ hydraulic overload analysis and thermal abuse research exceeding the requirements of today's — and tomorrow's — most demanding applications. Thousands of hours of operation at peak horsepower and maximum torque, within the largest and most sophisticated engine dynamometers, ensure the best technologies for replacement parts for heavy-duty engine applications.

designs for replacement applications. Advanced-design articulated and Monosteel™ pistons for on- and off-highway engines. Space-age ring coatings to resist the corrosion and abrasion associated with EGR and other engine emissions solutions. New materials and manufacturing processes resulting in thinner, stronger cylinder liners that allow customers to maximize bore size.

When you choose FP Diesel, you receive much more than premium-quality engine parts. Each component is the product of the industry's very best ideas — powertrain technologies that won't merely survive, but thrive in today's hardest-working engines. That's the exclusive **Performance Advantage** of relying on FP Diesel — we provide all of the best technologies for each engine platform.



ENGINE SYSTEMS®

www.federalmogul.com

FP Diesel offers premium replacement parts for:

- **Case®**
- **Caterpillar®**
- **Cummins®**
- **Detroit Diesel®**
- **International®**
- **John Deere®**
- **Komatsu®**
- **Mack®**
- **Waukesha®**
- **White Superior®**

FP Diesel and the FP Diesel design are registered trademarks of the Federal-Mogul Corporation. Case® is the registered trademark of Case Corporation, Inc., Cat® and Caterpillar® are the registered trademarks of Caterpillar, Inc., Cummins® is the registered trademark of Cummins Engine Company, Detroit Diesel® is the registered trademark of Detroit Diesel Corporation, International/Navistar® is a registered trademark of the International Truck and Engine Corporation, John Deere® is the registered trademark of Deere & Company, Komatsu® is the registered trademark of Komatsu Limited, Mack® is the registered trademark of Mack Trucks, Inc., Waukesha® is the registered trademark of the Waukesha Engine Division of Dresser Industries, Inc, White Superior® is the registered trademark of White Superior Corporation, Inc.

FP Diesel is part of the Federal-Mogul Engine Systems Family.



ENGINE SYSTEMS™

